



US00D948975S

(12) **United States Design Patent** (10) **Patent No.:** **US D948,975 S**
Scott (45) **Date of Patent:** **** Apr. 19, 2022**

(54) **CORDLESS CARPET SEAMING IRON**
(71) Applicant: **CORDLESS CARPET TOOLS PTY LTD**, Maroubra (AU)
(72) Inventor: **Kane Archie Scott**, East Brisbane (AU)
(73) Assignee: **Cordless Carpet Tools Pty Ltd.**, Maroubra (AU)

(**) Term: **15 Years**
(21) Appl. No.: **29/662,208**
(22) Filed: **Sep. 4, 2018**

(30) **Foreign Application Priority Data**
Mar. 12, 2018 (AU) 201811493
(51) **LOC (13) Cl.** **08-05**
(52) **U.S. Cl.**
USPC **D8/15**
(58) **Field of Classification Search**
USPC D8/15, 45; D32/46, 68, 69
CPC B29C 66/8612; B29C 65/18; B29C 66/91421; B29C 66/91431; B29C 66/91641; B29C 66/836; A47G 27/0443
See application file for complete search history.

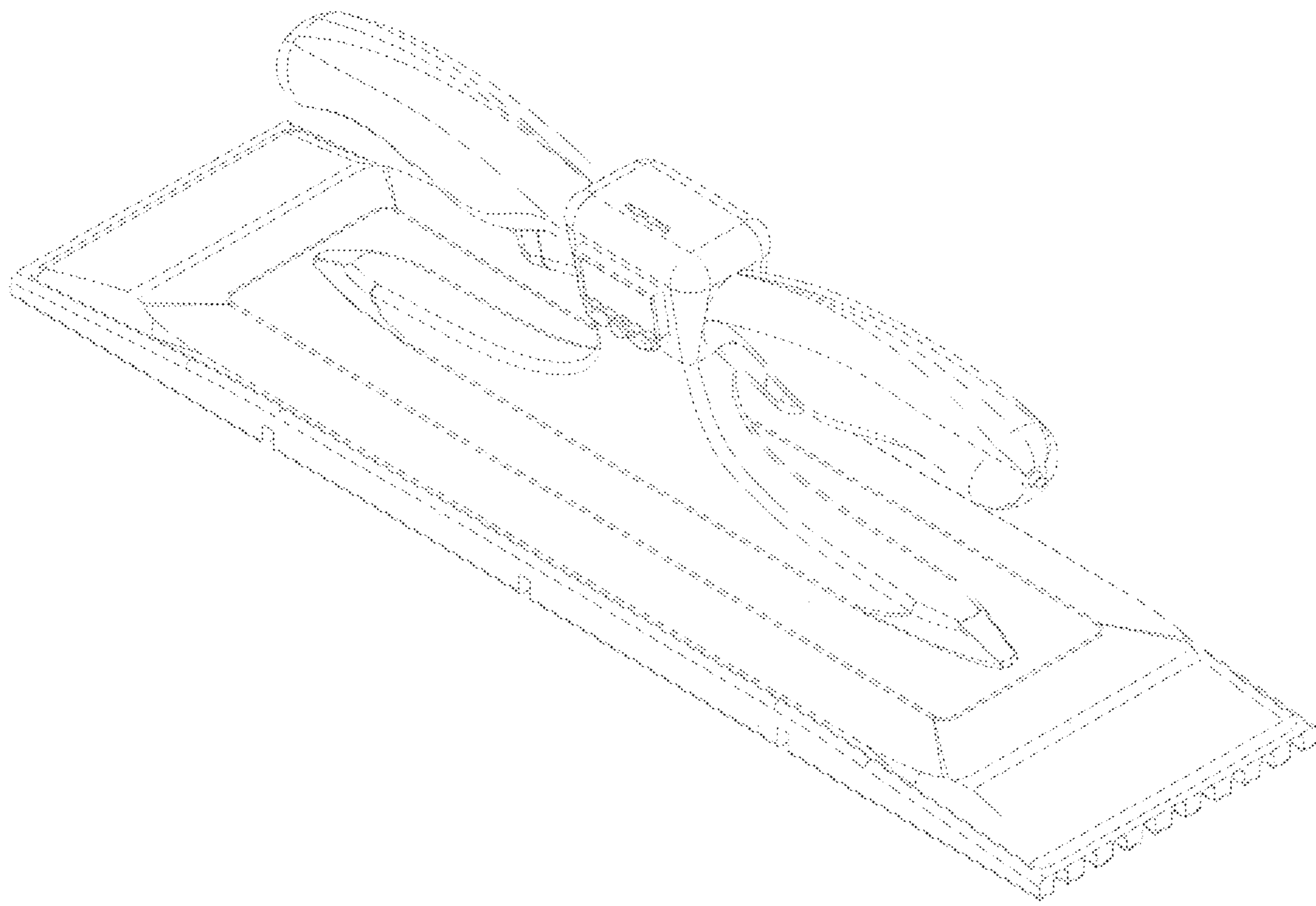
(56) **References Cited**
U.S. PATENT DOCUMENTS
D557,578 S * 12/2007 Miller D8/45
D668,124 S * 10/2012 Lewis D8/45
D917,995 S * 5/2021 Grube D8/45
D929,832 S * 9/2021 DiLuzio D8/45
2017/0073983 A1 * 3/2017 Freudenreich A23B 4/16
* cited by examiner

Primary Examiner — Eliza Z Bennett-Hattan
(74) *Attorney, Agent, or Firm* — Rankin, Hill & Clark LLP

(57) **CLAIM**
The ornamental design for a cordless carpet seaming iron, as shown.

DESCRIPTION
FIG. 1 is a front (right) elevational view of a cordless carpet seaming iron showing my new design;
FIG. 2 is a rear (left) elevation view thereof;
FIG. 3 is a right side view thereof;
FIG. 4 is a top plan view thereof;
FIG. 5 is a front and rear plan view thereof; and,
FIG. 6 is a bottom plan view thereof.

1 Claim, 6 Drawing Sheets



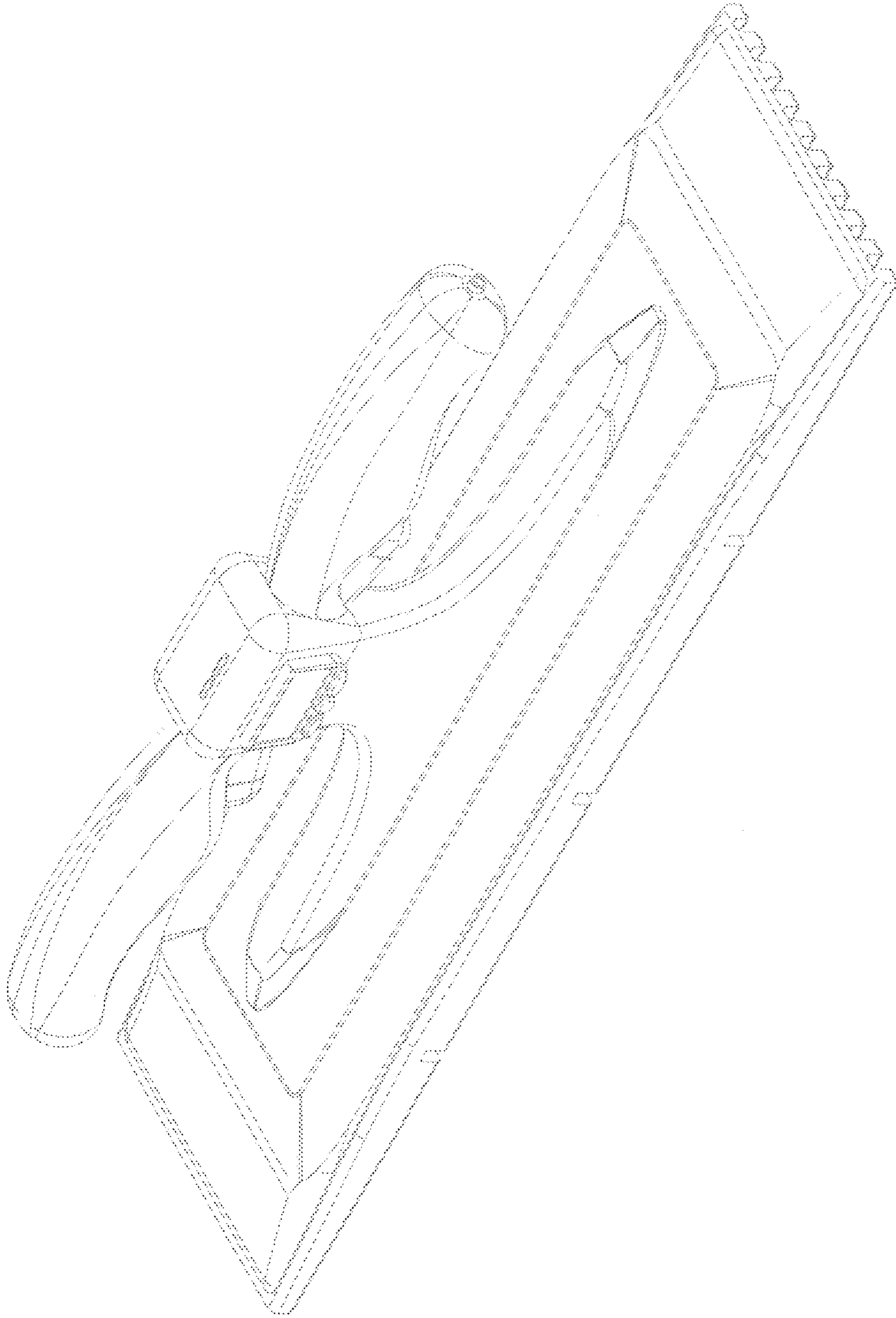


FIG. 1

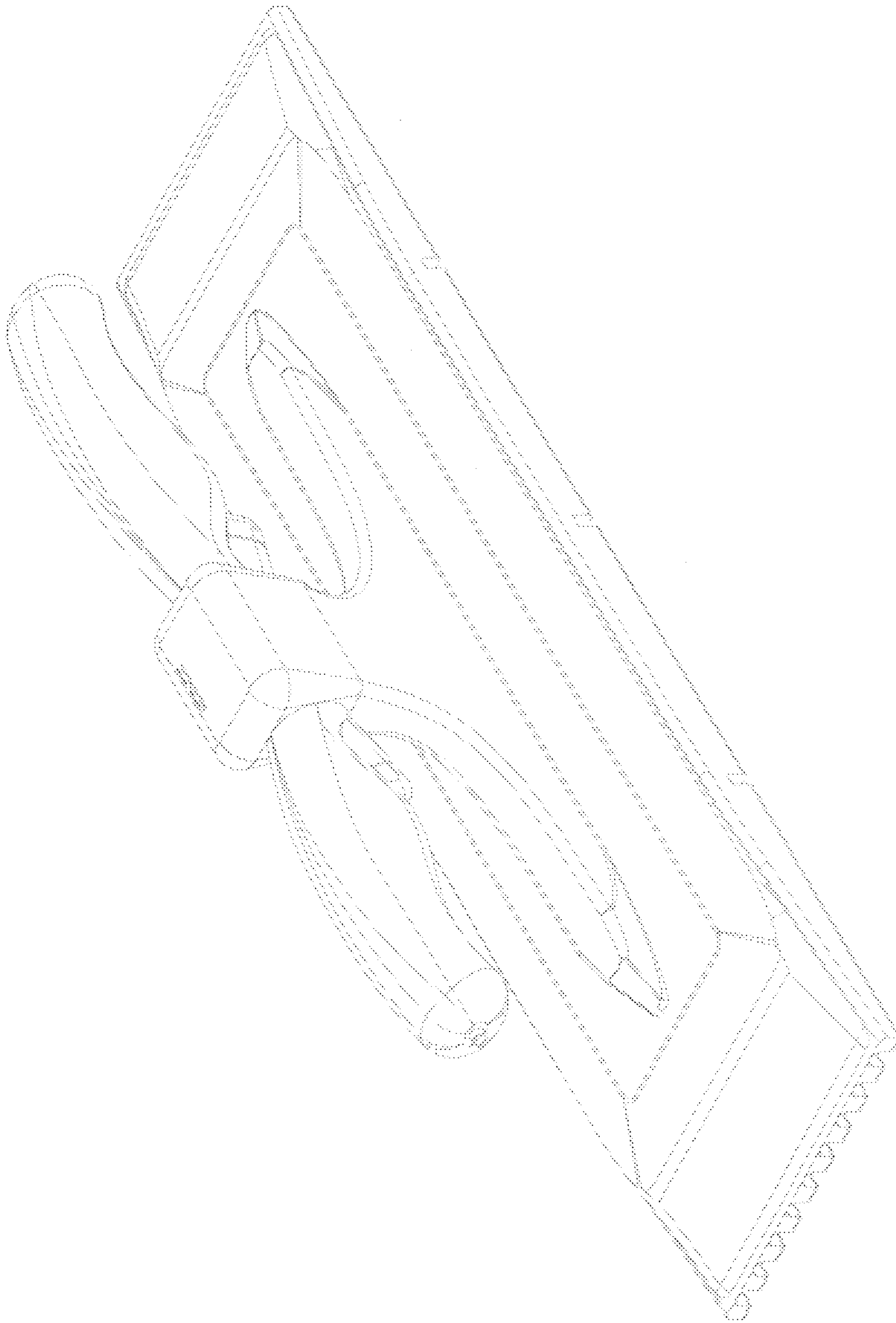


Fig. 2

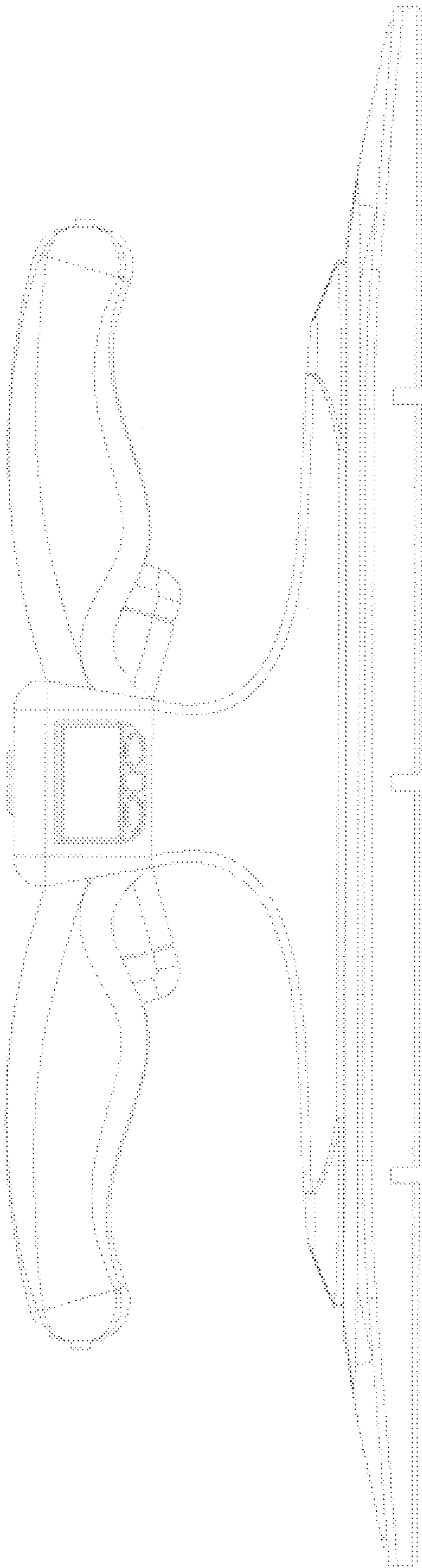


Fig. 3

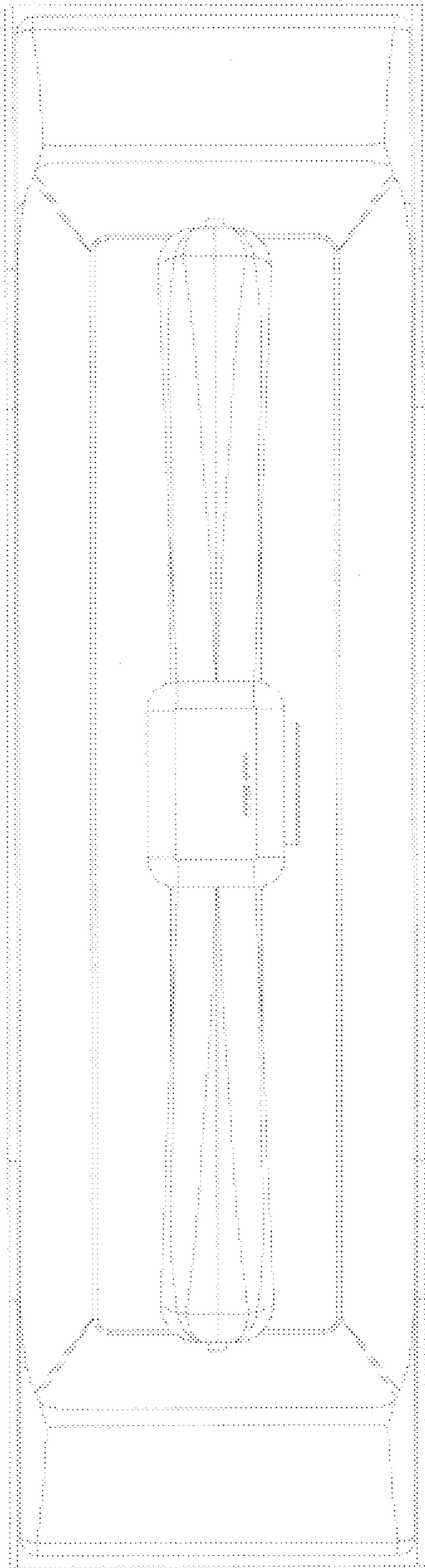


FIG. 4

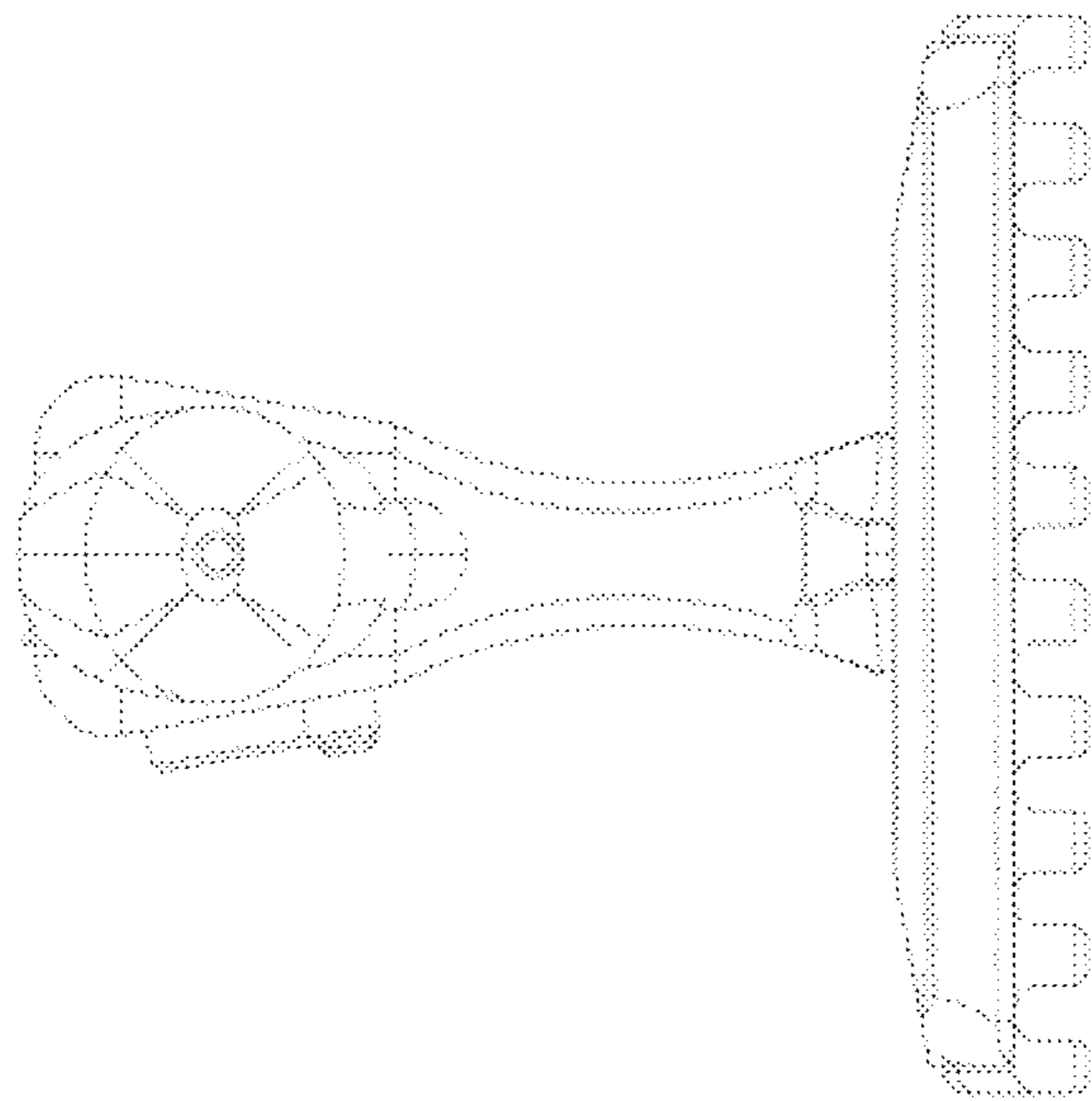
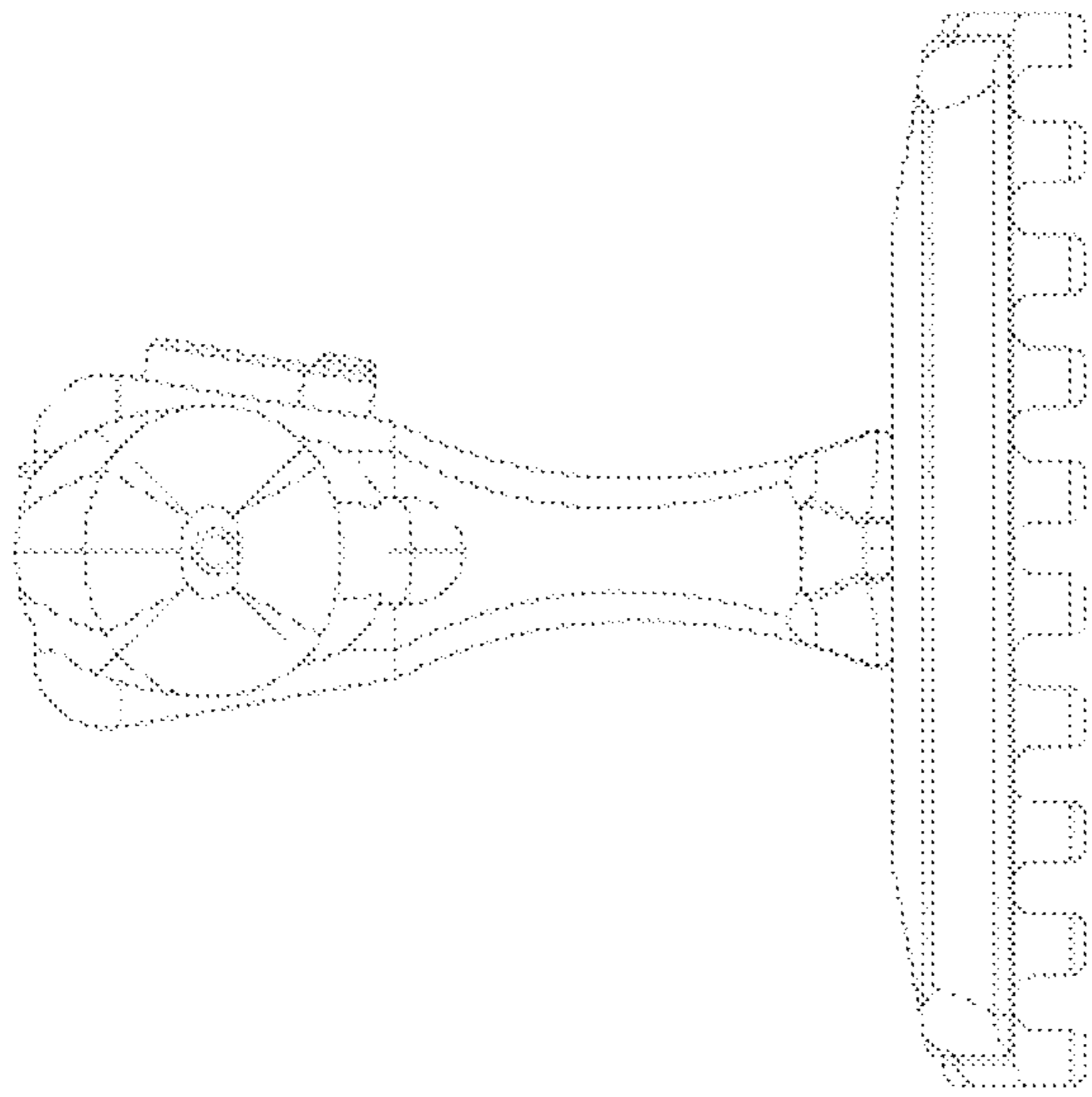


FIG. 5

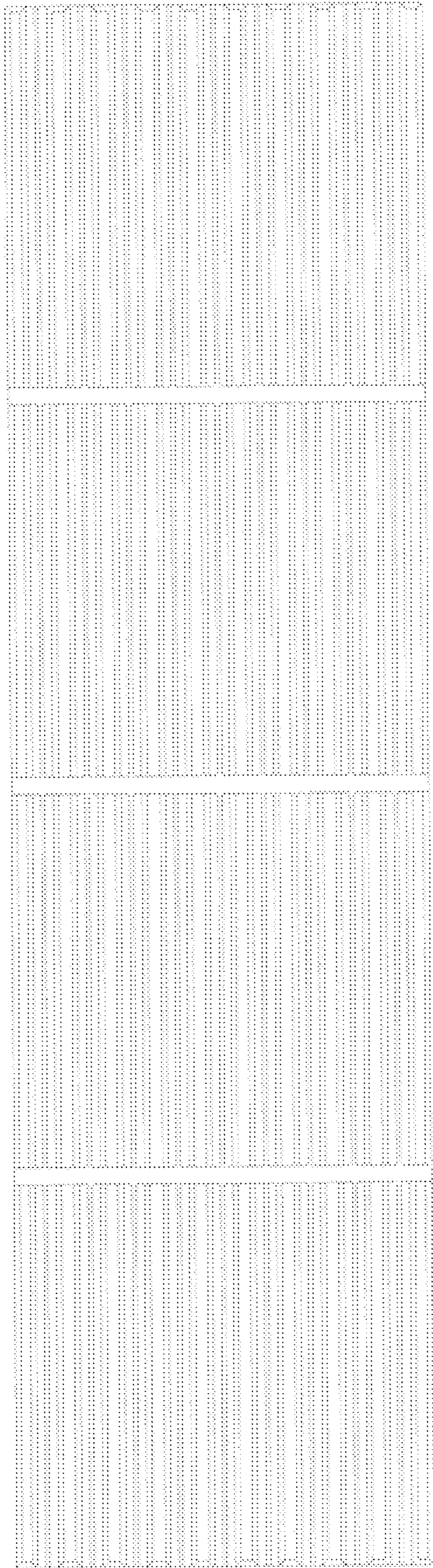


Fig. 6