



US00D948973S

(12) **United States Design Patent**
Dorton

(10) **Patent No.:** **US D948,973 S**

(45) **Date of Patent:** **** Apr. 19, 2022**

(54) **SINGLE BLADE PLANT PRUNER**

(71) Applicant: **Chad Eric Dorton**, Acton, CA (US)

(72) Inventor: **Chad Eric Dorton**, Acton, CA (US)

(**) Term: **15 Years**

(21) Appl. No.: **29/663,410**

(22) Filed: **Sep. 14, 2018**

(51) **LOC (13) Cl.** **08-03**

(52) **U.S. Cl.**
USPC **D8/5**

(58) **Field of Classification Search**
USPC D8/5, 7, 51, 52, 4; D28/55
CPC A01G 3/065; A01G 3/081; B26B 13/12
See application file for complete search history.

(56) **References Cited**

U.S. PATENT DOCUMENTS

- 1,847,401 A * 3/1932 Klein A45D 2/00
132/148
- 2,681,504 A * 6/1954 Fox A01G 5/00
30/123
- D194,049 S * 11/1962 Katsumi D8/4
- D228,868 S * 10/1973 Bush D8/4
- D269,820 S * 7/1983 Bisson A01G 5/00
30/123

- D317,390 S * 6/1991 Igarashi D8/4
- D340,854 S * 11/1993 Shimoharaguchi D8/51
- D613,571 S * 4/2010 Quante D8/57
- D625,978 S * 10/2010 Zeng D8/52
- D639,126 S * 6/2011 Wu D8/4
- D720,969 S * 1/2015 Lipscomb B26B 5/003
D8/5
- D736,050 S * 8/2015 Barouch D8/52
- D774,857 S * 12/2016 Pendock D8/52
- 2014/0208594 A1 * 7/2014 Scimone B26B 5/003
30/2
- 2020/0070261 A1 * 3/2020 Gore B23D 27/02
D8/52

* cited by examiner

Primary Examiner — Calvin E Vansant
(74) *Attorney, Agent, or Firm* — Troutman Pepper
Hamilton Sanders LLP

(57) **CLAIM**

The ornamental design for a single blade plant pruner, as shown and described.

DESCRIPTION

FIG. 1 is a side perspective view of a single blade plant pruner showing our new design; FIG. 2 is a top view thereof; and, FIG. 3 is a side view of the single blade.

1 Claim, 1 Drawing Sheet

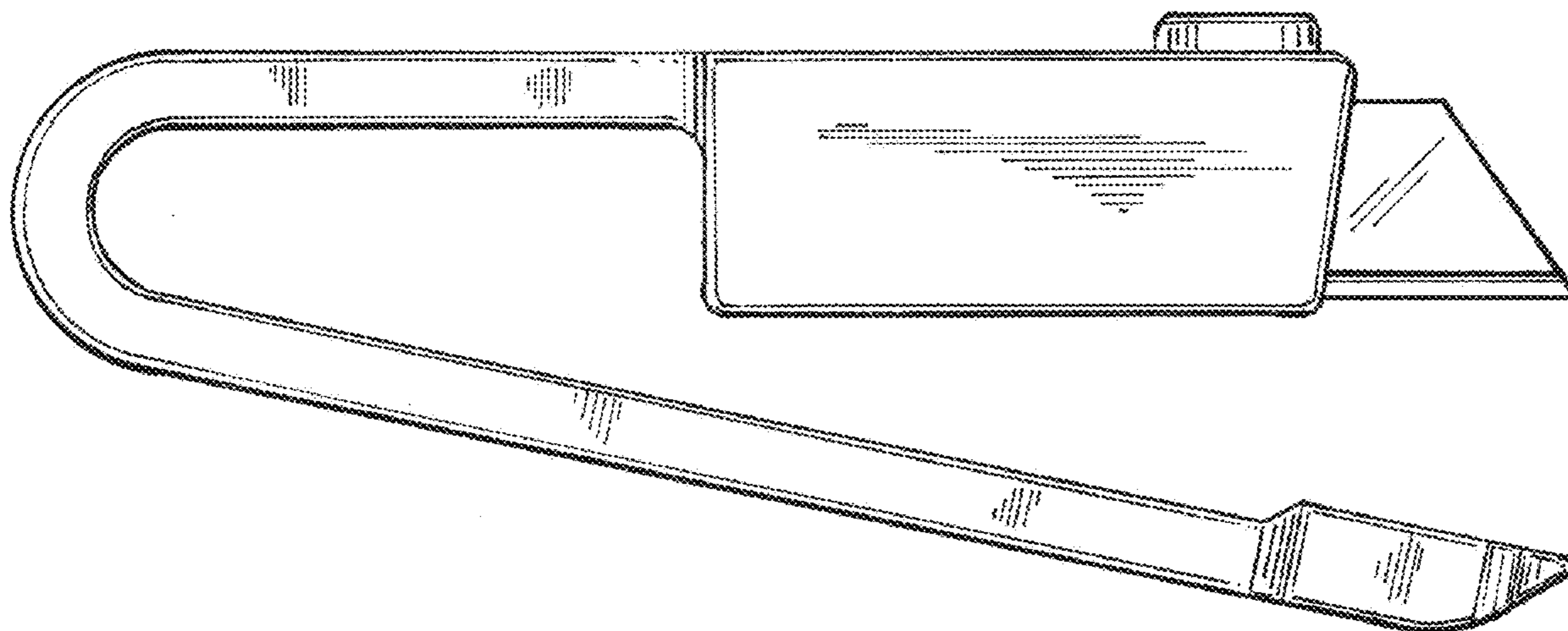


FIG. 1

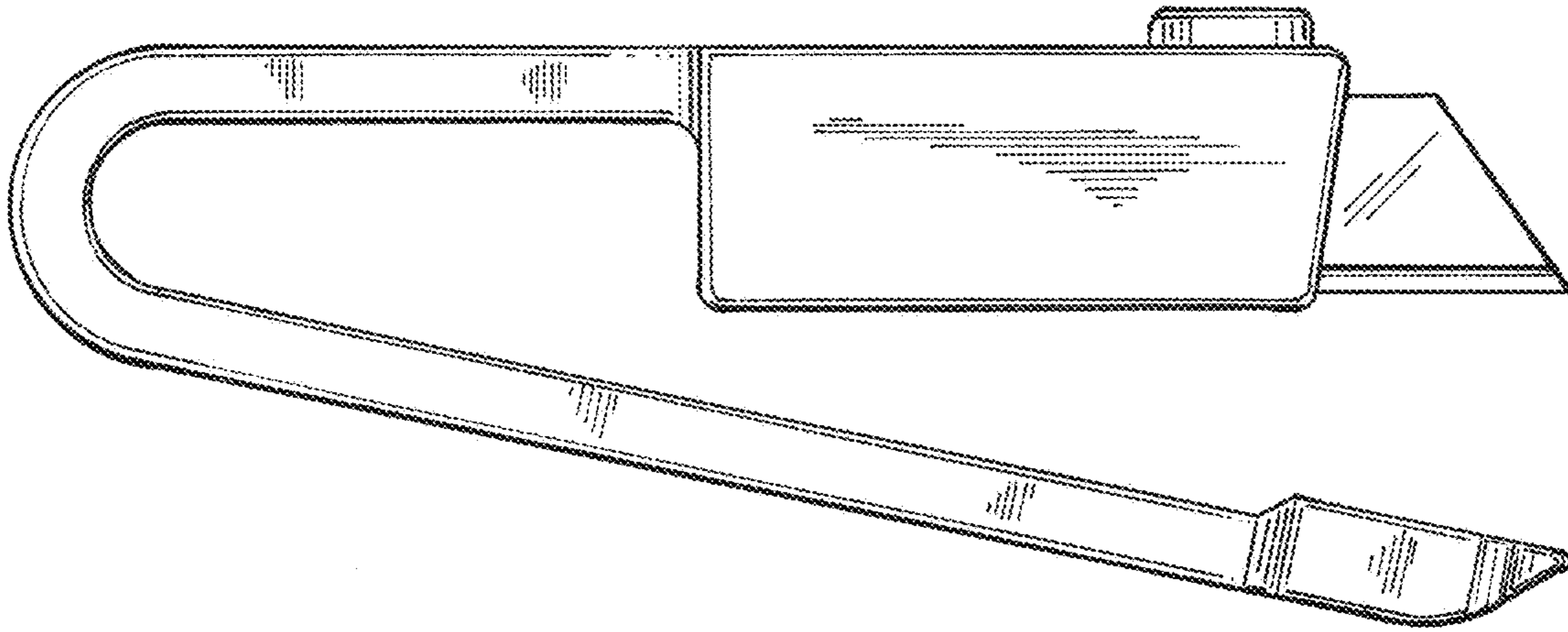


FIG. 2

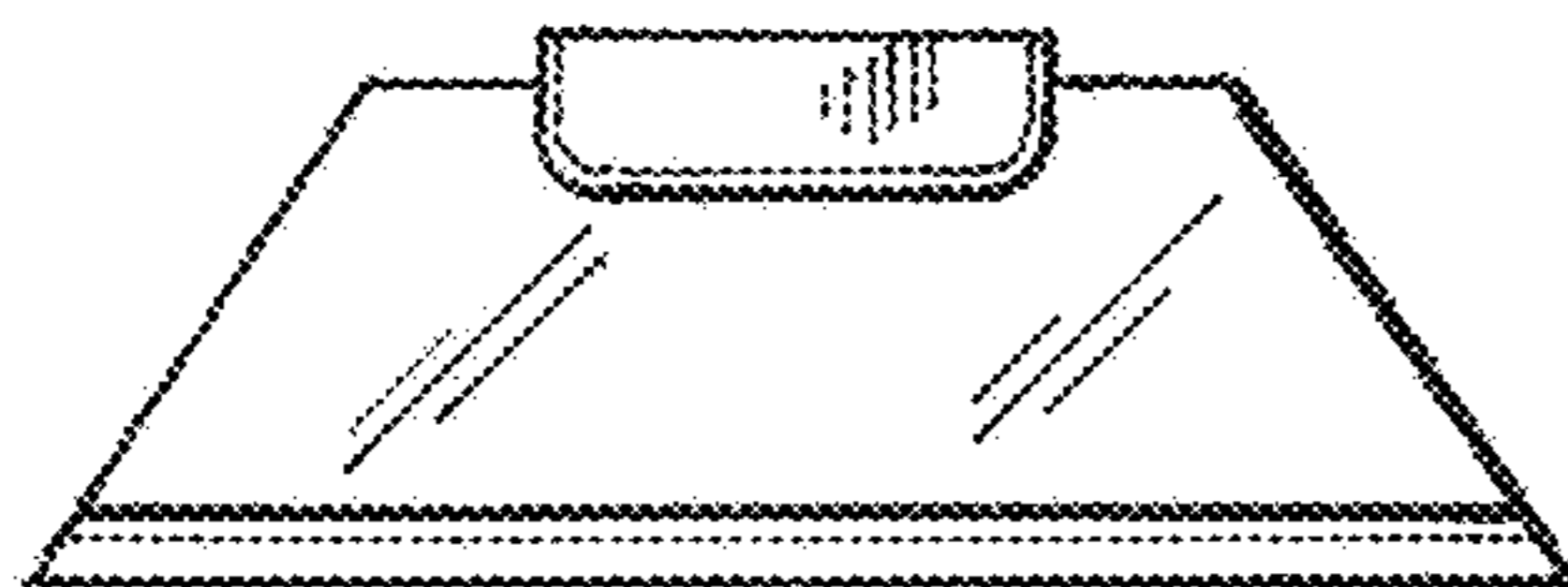
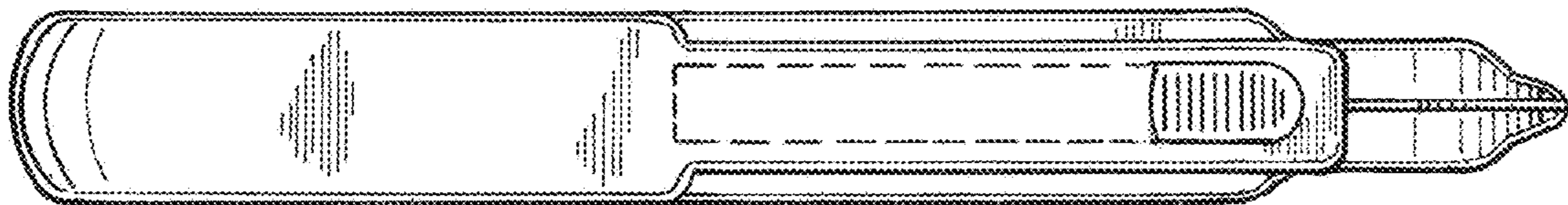


FIG. 3