



US00D948970S

(12) **United States Design Patent** (10) **Patent No.:** **US D948,970 S**
Spence (45) **Date of Patent:** **** Apr. 19, 2022**

(54) **GAVEL KNIFE BLOCK**
 (71) Applicant: **Jerry Spence**, Rock Hill, SC (US)
 (72) Inventor: **Jerry Spence**, Rock Hill, SC (US)
 (**) Term: **15 Years**

6,854,186 B2 2/2005 Basden
 6,920,987 B2 7/2005 Siegel
 D604,566 S * 11/2009 Mazzanti D7/637
 D605,472 S * 12/2009 Iannello D7/639
 7,631,772 B2 12/2009 Lafleur
 2004/0031159 A1* 2/2004 Rosenberg A47G 21/14
 30/298.4

(21) Appl. No.: **29/737,419**
 (22) Filed: **Jun. 9, 2020**
 (51) **LOC (13) Cl.** **07-99**
 (52) **U.S. Cl.**
 USPC **D7/639**
 (58) **Field of Classification Search**
 USPC D3/220, 273, 295, 313, 315, 905;
 D7/213, 612, 613, 623, 637, 639, 649,
 D7/641, 651, 654; D8/35, 38, 63, 71, 91
 CPC A47B 88/90; A47G 21/14; A47J 47/16;
 B24D 15/084; B25H 3/04
 See application file for complete search history.

FOREIGN PATENT DOCUMENTS

GB 2466253 4/2004

* cited by examiner

Primary Examiner — Joseph Kukella
Assistant Examiner — Darryl J Dardenne

(57) **CLAIM**

I claim the ornamental design for a gavel knife block, as shown and described.

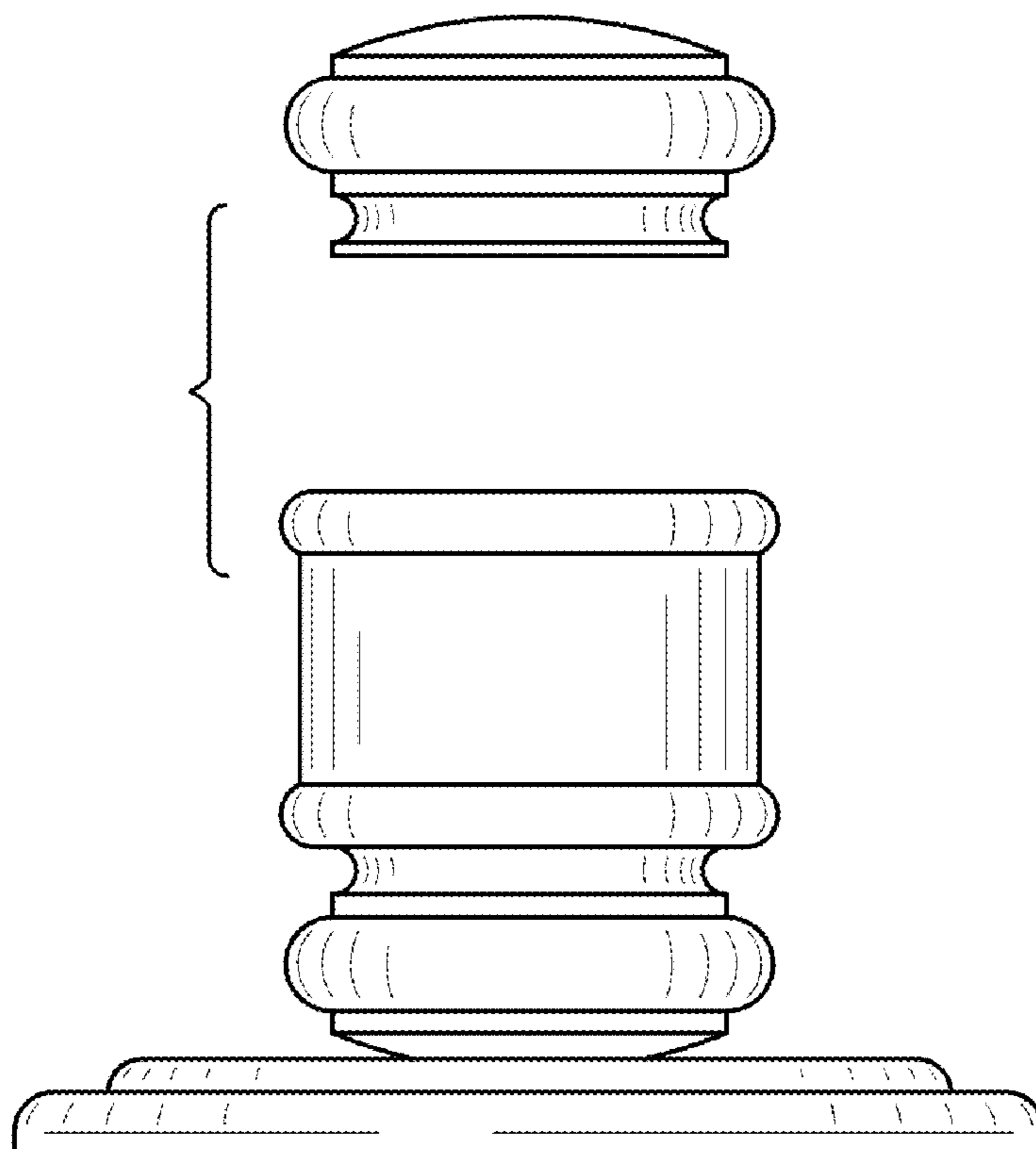
DESCRIPTION

FIG. 1 is a front view of the gavel knife block.
 FIG. 2 is a rear view of the claimed design.
 FIG. 3 is a left side view of the claimed design.
 FIG. 4 is a right side view of the claimed design.
 FIG. 5 is a top view of the claimed design.
 FIG. 6 is a bottom view of the claimed design.
 FIG. 7 is an exploded perspective view of the claimed design; and,
 FIG. 8 is a perspective view of the claimed design.
 The broken lines appearing on FIG. 7 of a set of knives are environmental matter forming no part of the claimed design.

(56) **References Cited**
 U.S. PATENT DOCUMENTS

D309,407 S 7/1990 May
 5,245,756 A 9/1993 Howell
 D412,426 S * 8/1999 Prissberg D7/651
 D412,647 S * 8/1999 Prissberg D7/651
 D412,812 S * 8/1999 Prissberg A47G 21/14
 D7/651
 6,375,016 B1 4/2002 Stuchlik, III
 D488,677 S 4/2004 Reichenbach

1 Claim, 7 Drawing Sheets



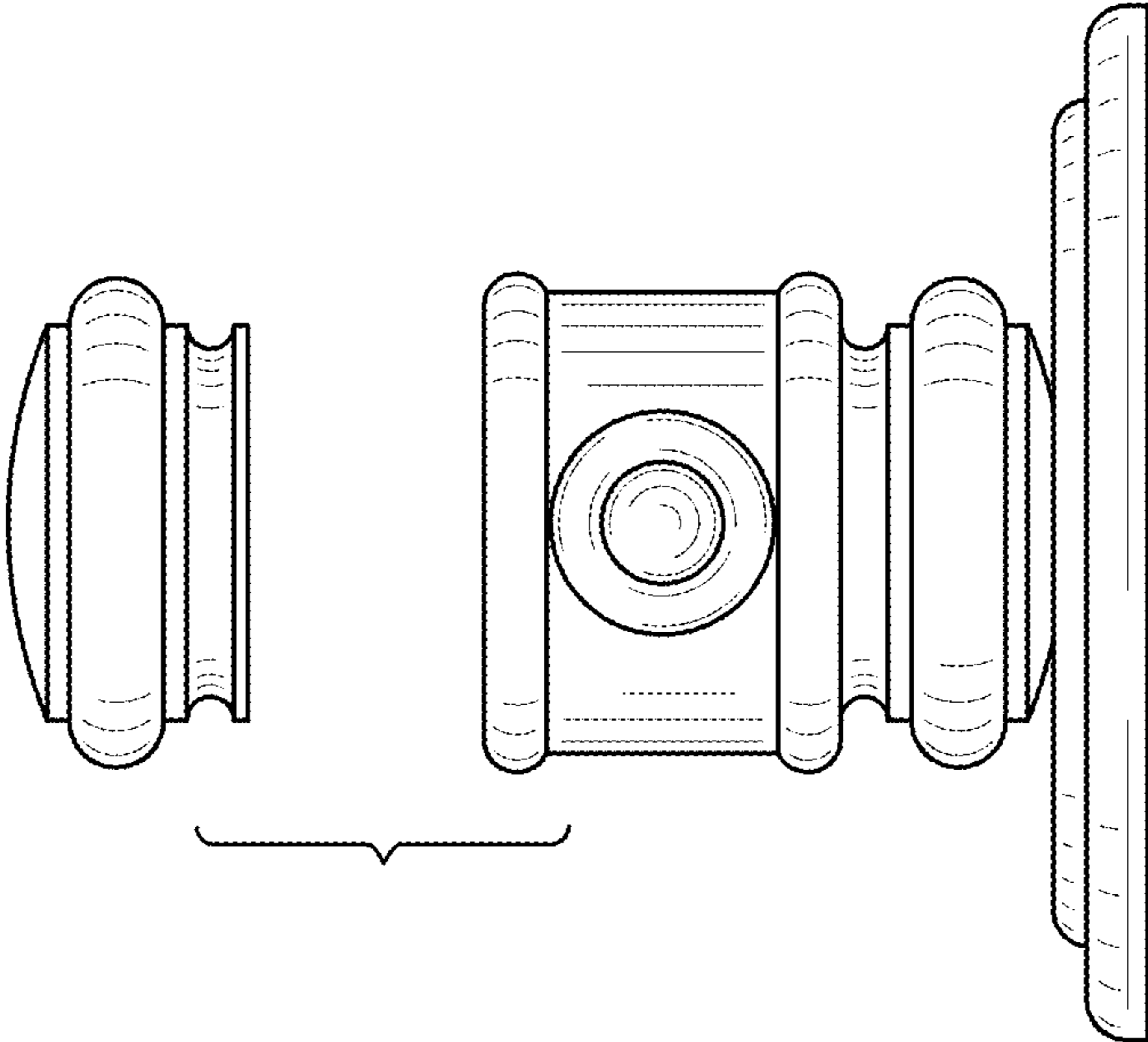


FIG. 2

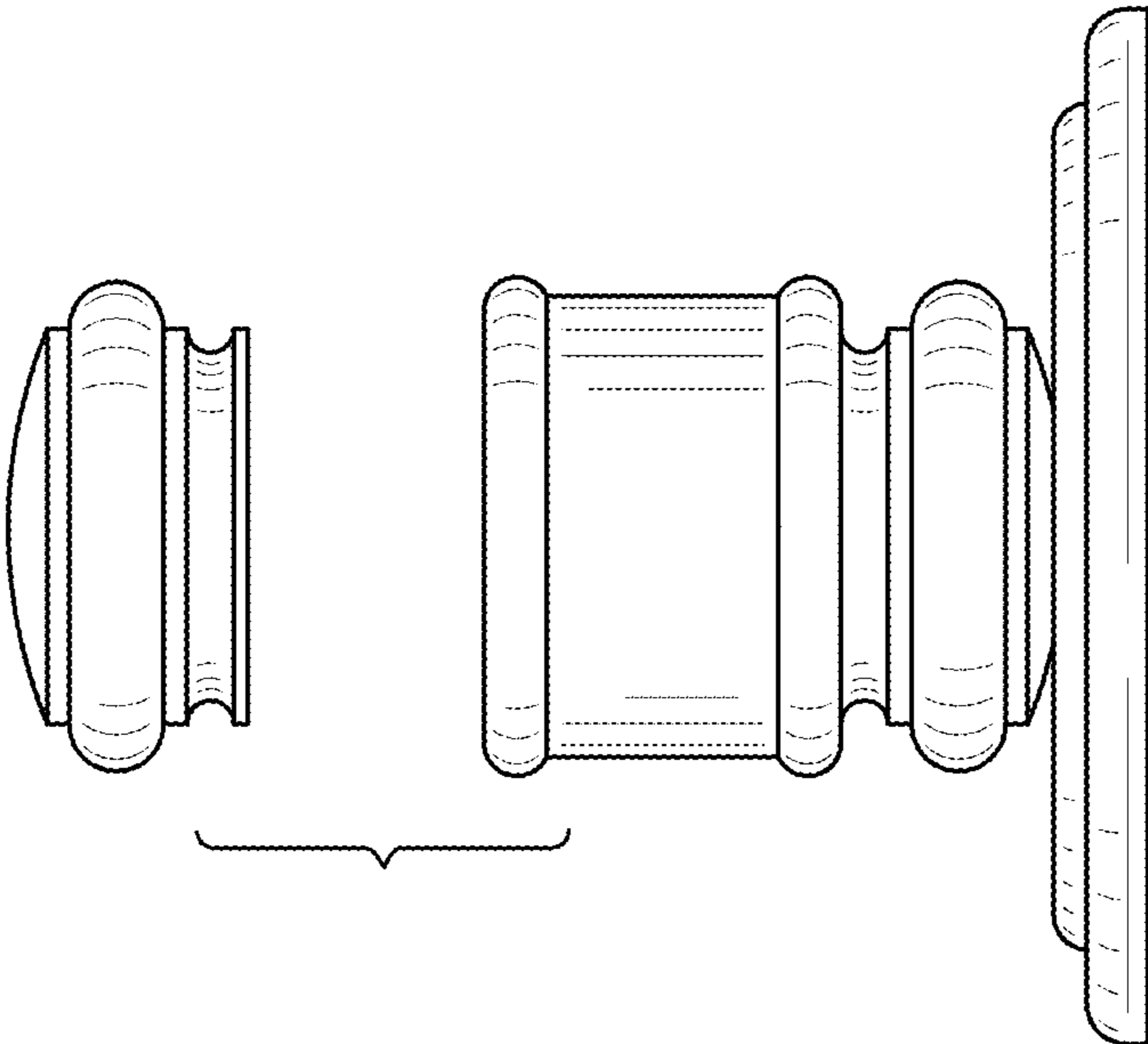


FIG. 1

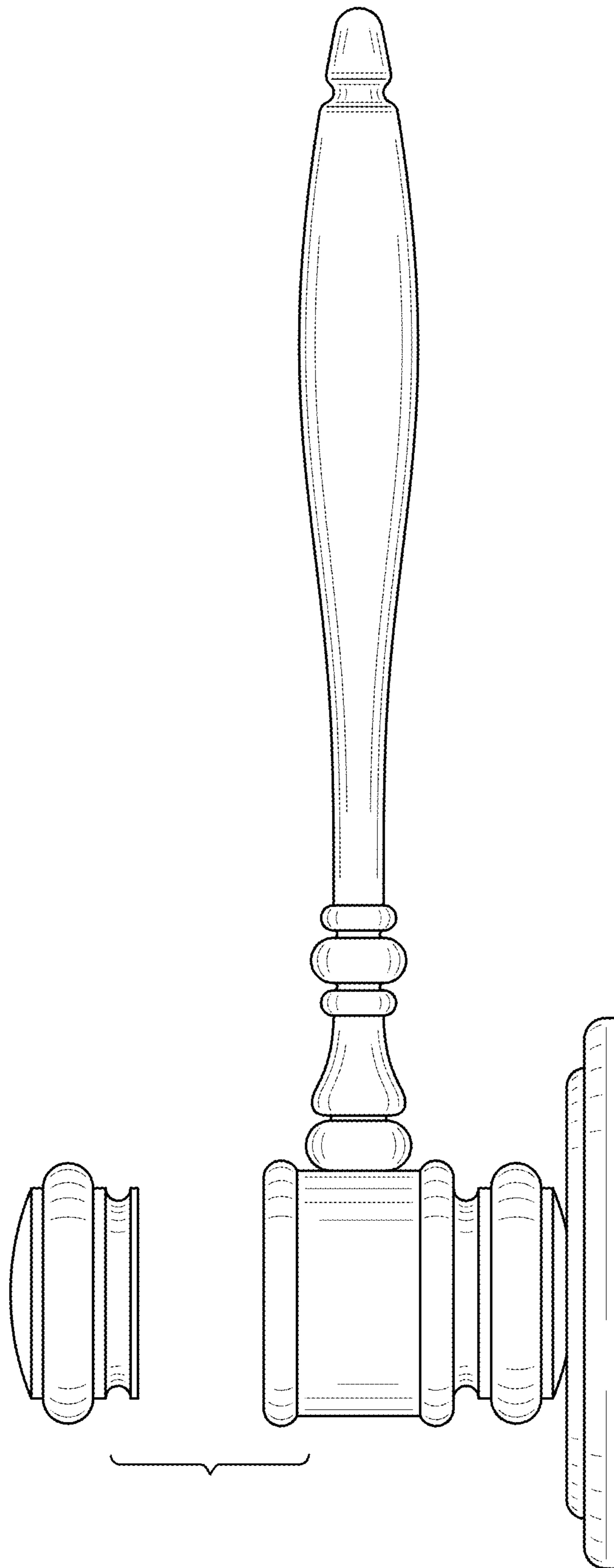


FIG. 3

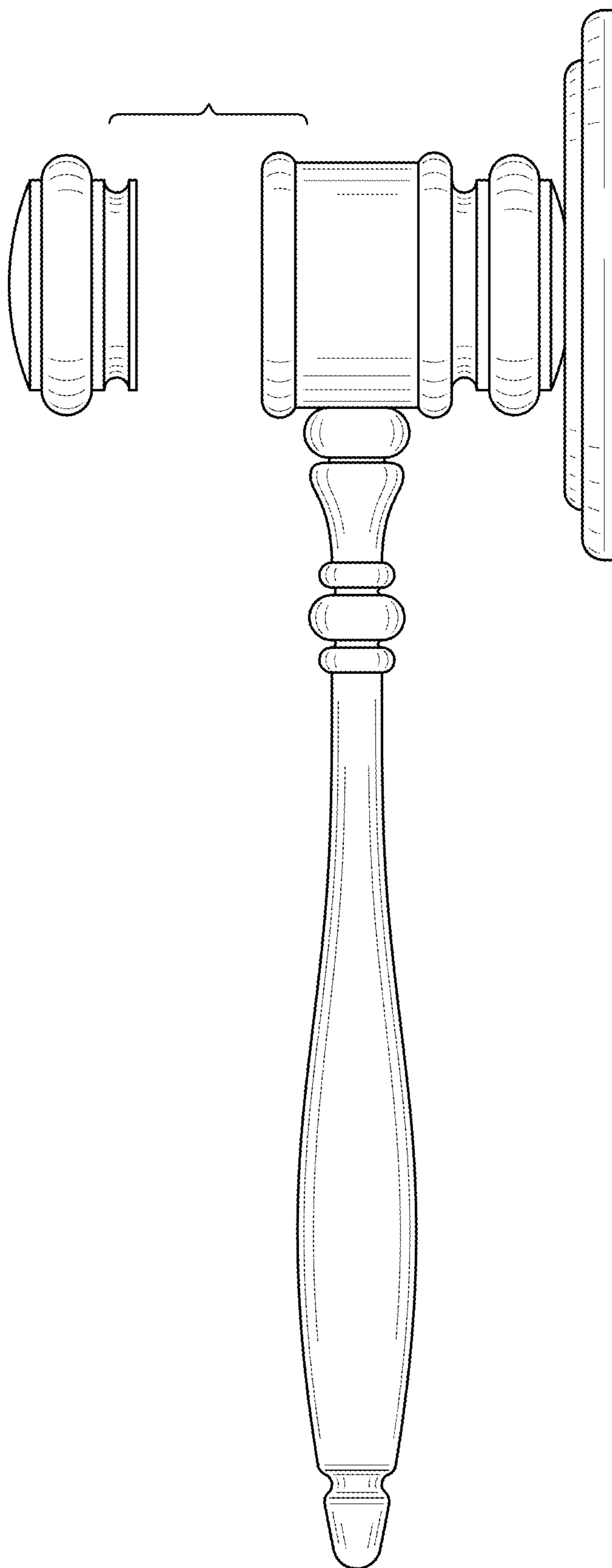


FIG. 4

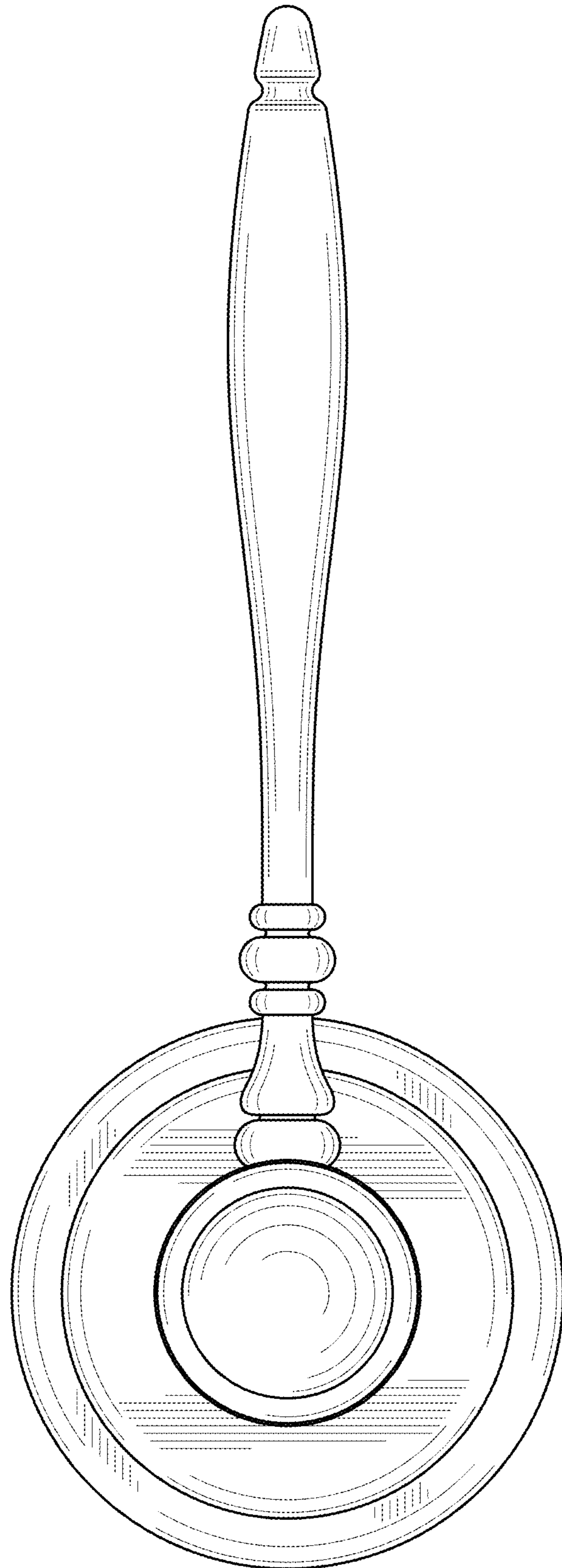


FIG. 5

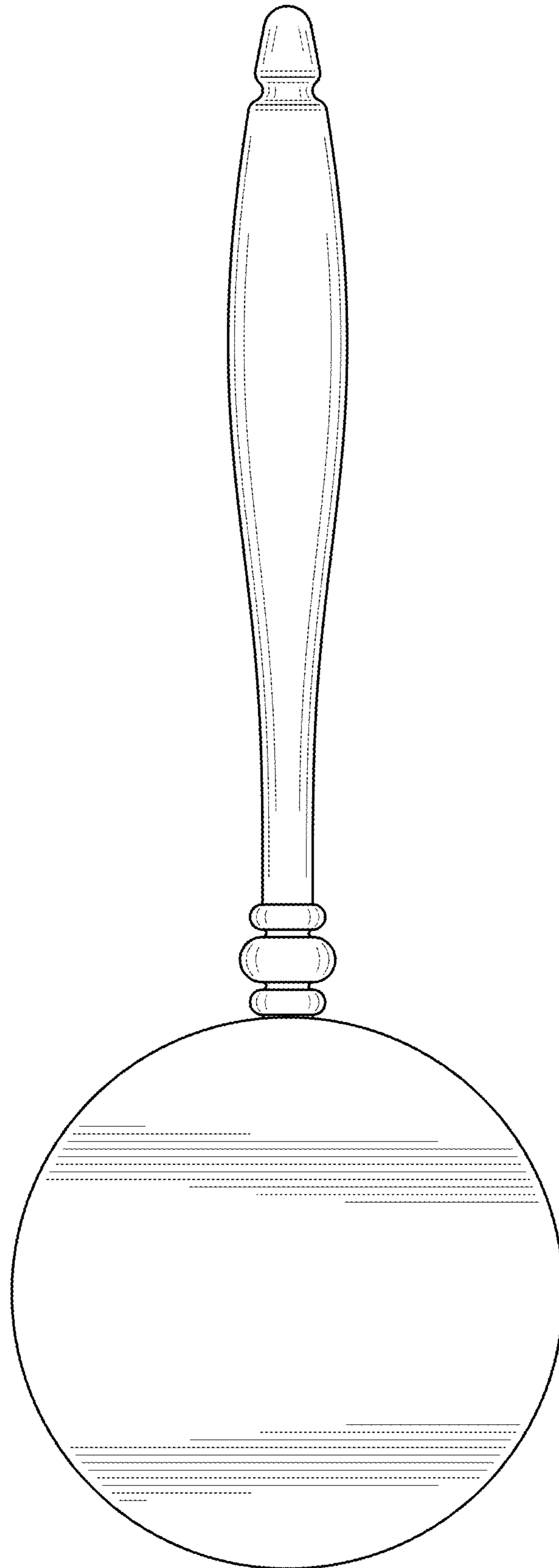


FIG. 6

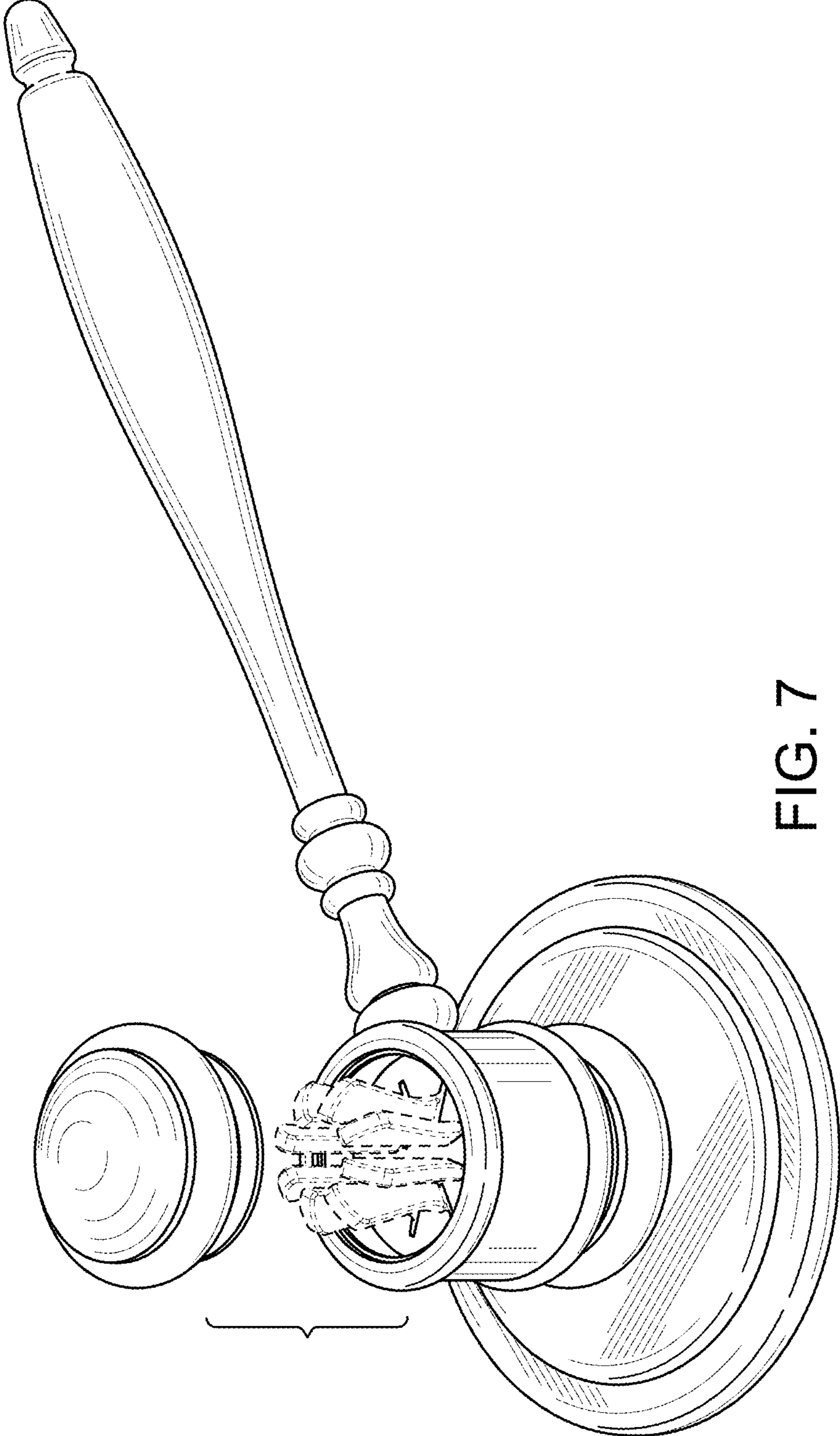


FIG. 7

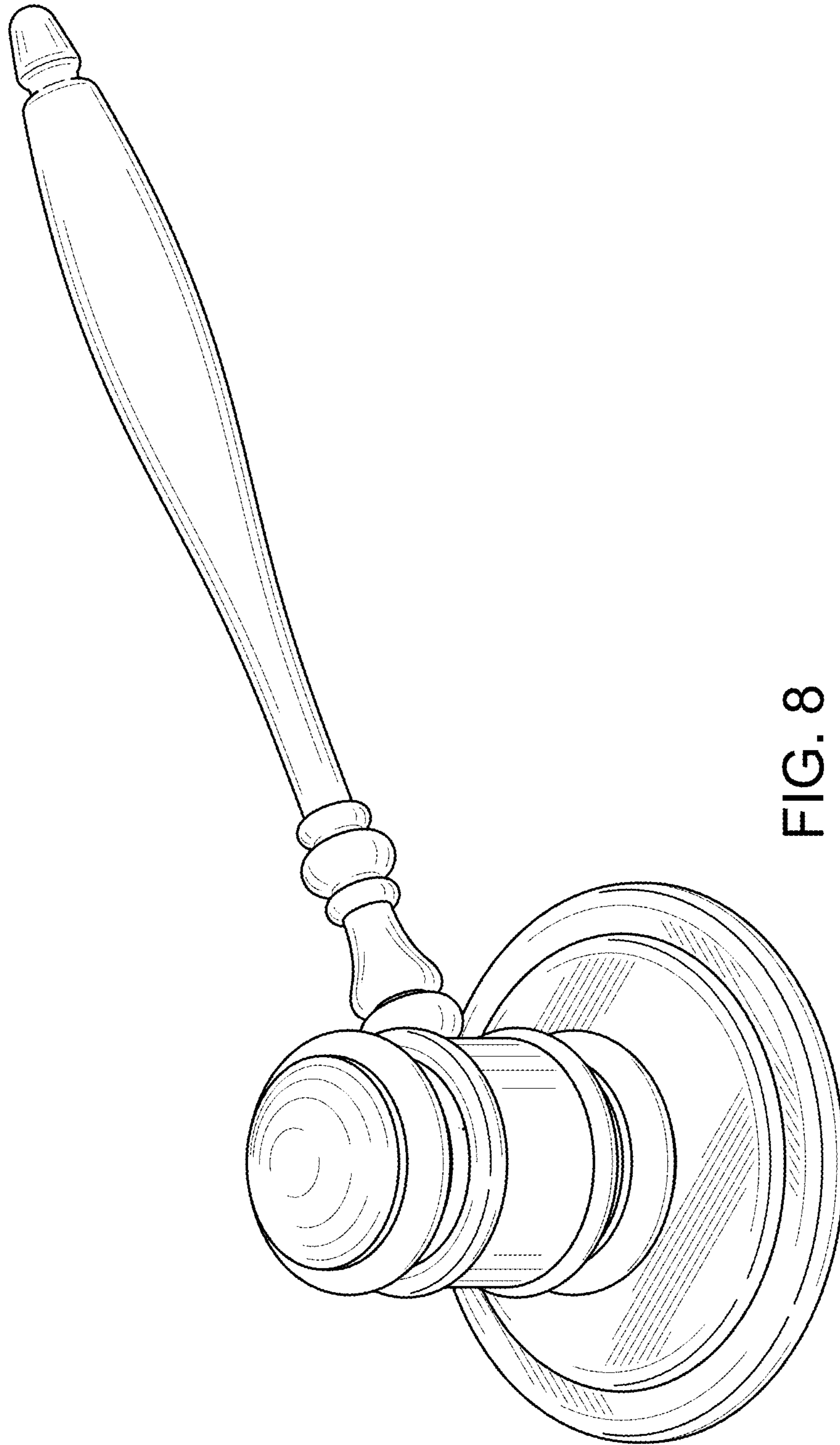


FIG. 8