



US00D948969S

(12) **United States Design Patent**  
**Liu**

(10) **Patent No.:** **US D948,969 S**

(45) **Date of Patent:** **\*\* Apr. 19, 2022**

- (54) **KNIFE HOLDER**
- (71) Applicant: **Guixing Liu**, Guangdong (CN)
- (72) Inventor: **Guixing Liu**, Guangdong (CN)
- (73) Assignee: **Yangjiang Jiangcheng Xuanxuan Manufacture LLC.**, Guangdong (CN)
- (\*\*) Term: **15 Years**
- (21) Appl. No.: **29/744,007**
- (22) Filed: **Jul. 27, 2020**
- (51) **LOC (13) Cl.** ..... **07-07**
- (52) **U.S. Cl.**  
USPC ..... **D7/637**
- (58) **Field of Classification Search**  
USPC ..... D3/220, 273, 295, 313, 315, 905;  
D7/213, 623, 637, 639, 649, 641, 651;  
D8/35, 38, 63, 71, 91  
CPC ..... A47B 49/004; A47B 88/90; A47B 88/969;  
A47G 21/14; A47J 47/16; B24D 15/084;  
B25H 3/04; B65D 25/205  
See application file for complete search history.

- D512,279 S \* 12/2005 Berger ..... A47B 49/004  
D7/637
- D660,085 S \* 5/2012 Boone ..... D7/553.2
- 8,925,743 B1 \* 1/2015 Lee ..... A47L 19/04  
211/41.6
- D773,903 S \* 12/2016 Shah ..... D7/641
- D779,893 S \* 2/2017 deBretton Gordon .....  
A47B 88/969  
D7/637
- D800,513 S \* 10/2017 Liu ..... D7/637
- D886,543 S \* 6/2020 Repko ..... D7/637
- D886,544 S \* 6/2020 Repko ..... D7/637
- D898,527 S \* 10/2020 Repko ..... D7/637
- D898,528 S \* 10/2020 Repko ..... D7/637
- 2008/0073241 A1 \* 3/2008 Naden ..... B65D 25/06  
206/553
- 2009/0159541 A1 \* 6/2009 Burgess ..... A47B 88/994  
211/70.7

\* cited by examiner

*Primary Examiner* — Joseph Kukella  
*Assistant Examiner* — Darryl J Dardenne

(57) **CLAIM**

The ornamental design for a knife holder, as shown and described.

(56) **References Cited**

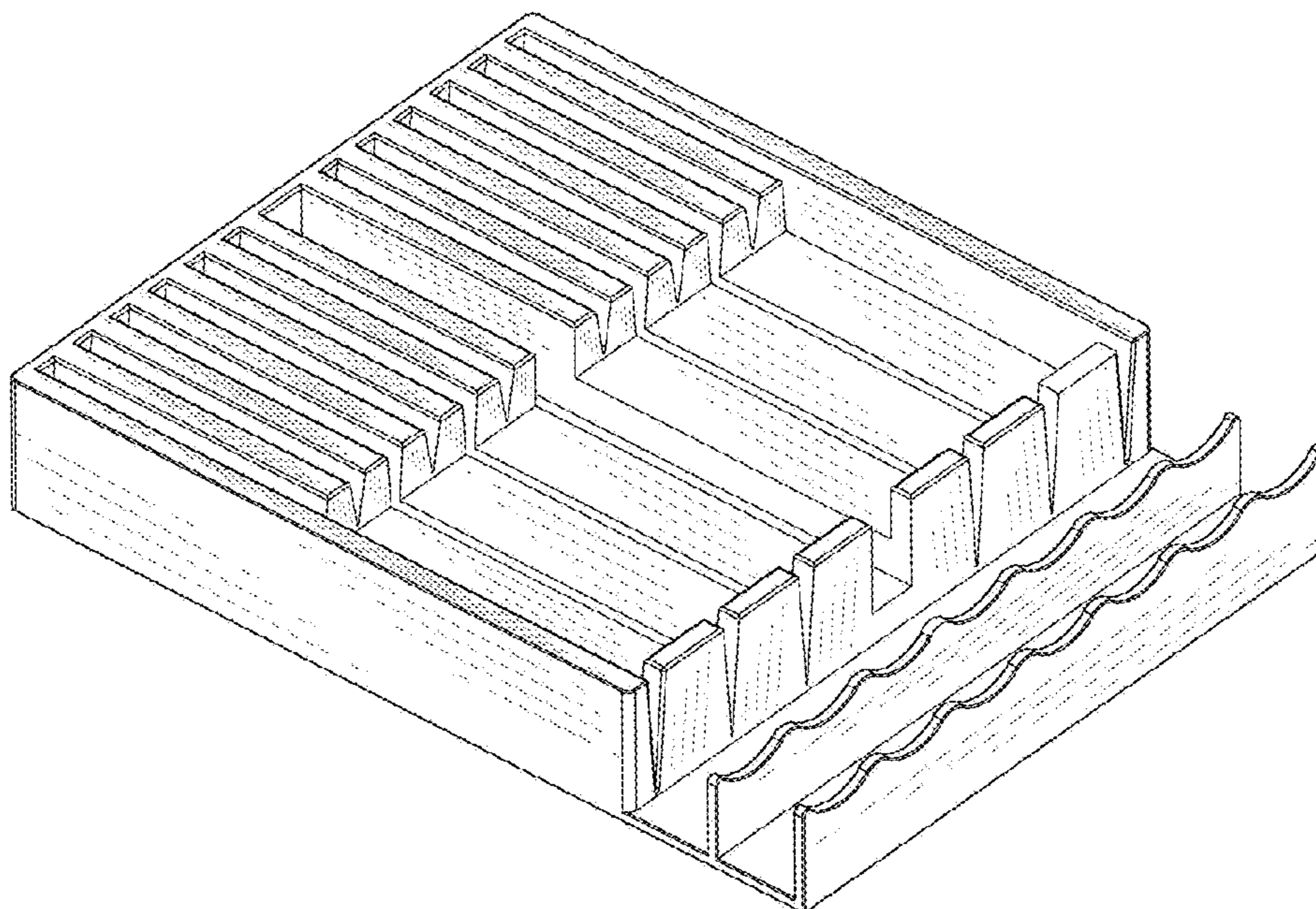
**U.S. PATENT DOCUMENTS**

- D335,976 S \* 6/1993 Brown ..... D3/319
- D352,868 S \* 11/1994 Breen ..... D7/637
- D397,274 S \* 8/1998 Hise ..... D7/637
- D411,718 S \* 6/1999 Davis ..... D7/637
- D434,952 S \* 12/2000 Diehl ..... D7/637
- 6,318,567 B1 \* 11/2001 Braley ..... A47B 49/004  
211/150
- 6,467,622 B1 \* 10/2002 Hull ..... A47B 88/969  
206/553
- D494,024 S \* 8/2004 Welch ..... B65D 25/06  
D7/637

**DESCRIPTION**

FIG. 1 is a perspective view of a knife holder showing my new design;  
FIG. 2 is a front elevational view thereof;  
FIG. 3 is a rear elevational view thereof;  
FIG. 4 is a left side elevational view thereof;  
FIG. 5 is a right side elevational view thereof;  
FIG. 6 is a top plan view thereof;  
FIG. 7 is a bottom plan view thereof; and,  
FIG. 8 is a rear, right, top perspective view thereof.

**1 Claim, 8 Drawing Sheets**



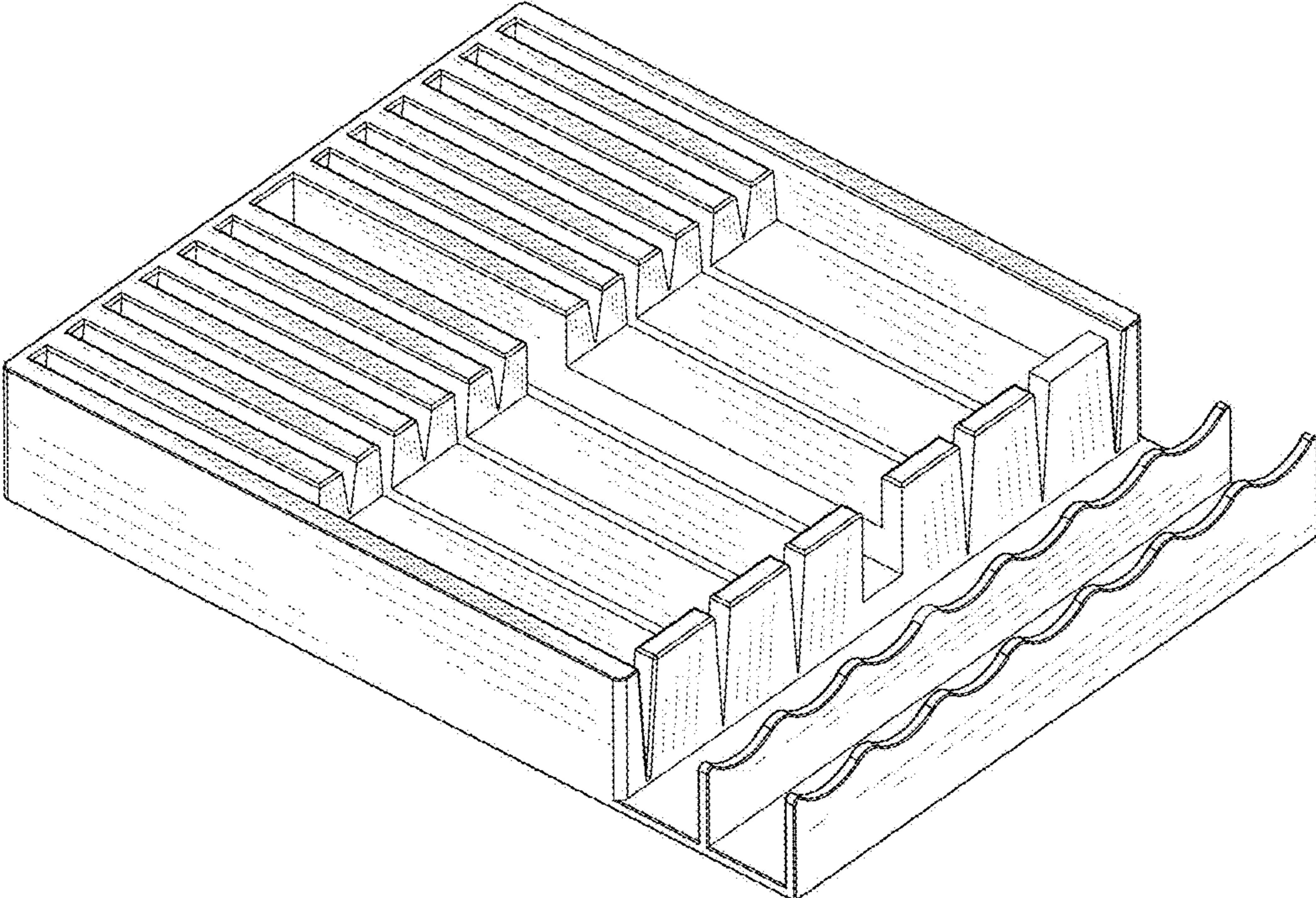


FIG. 1



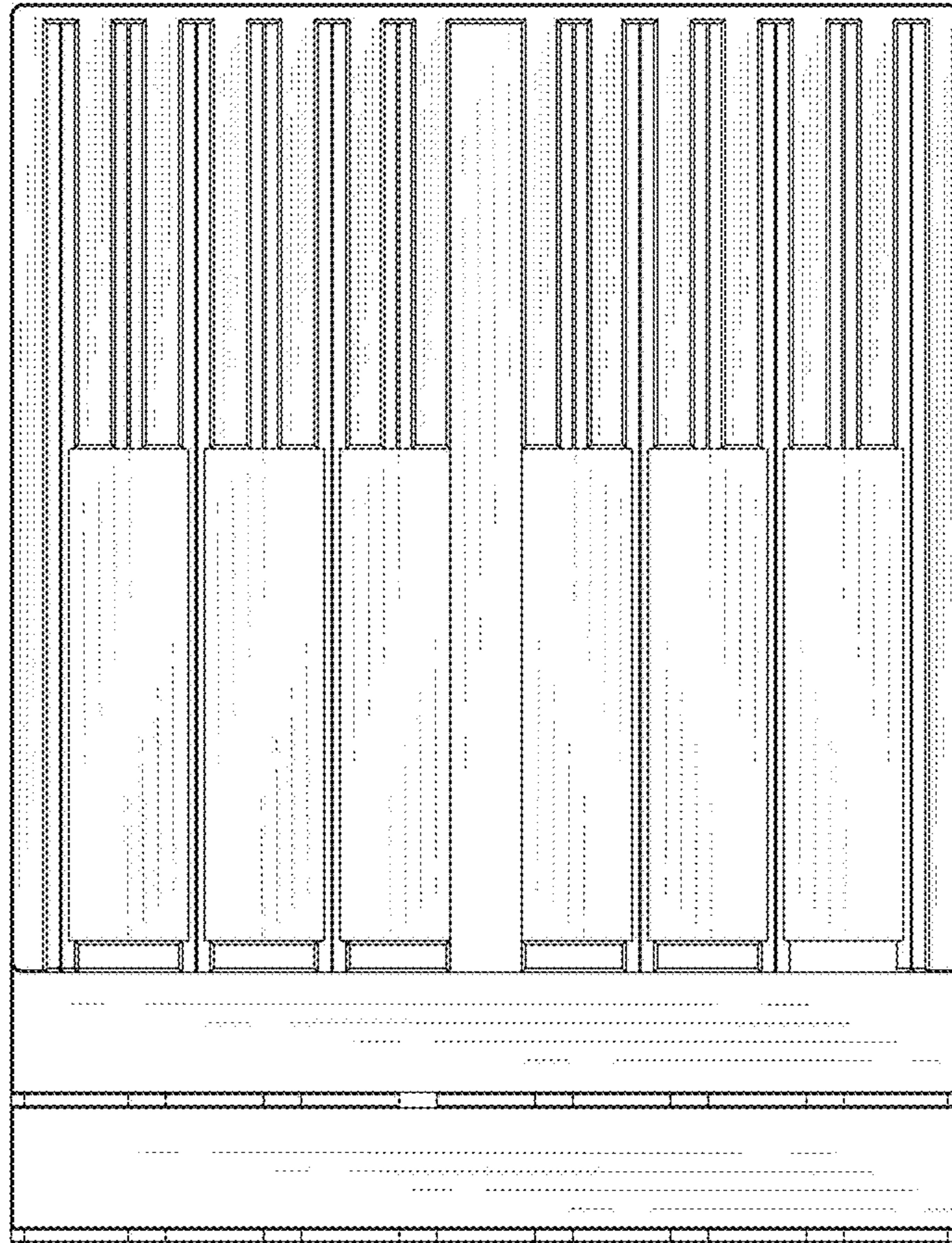


FIG. 2

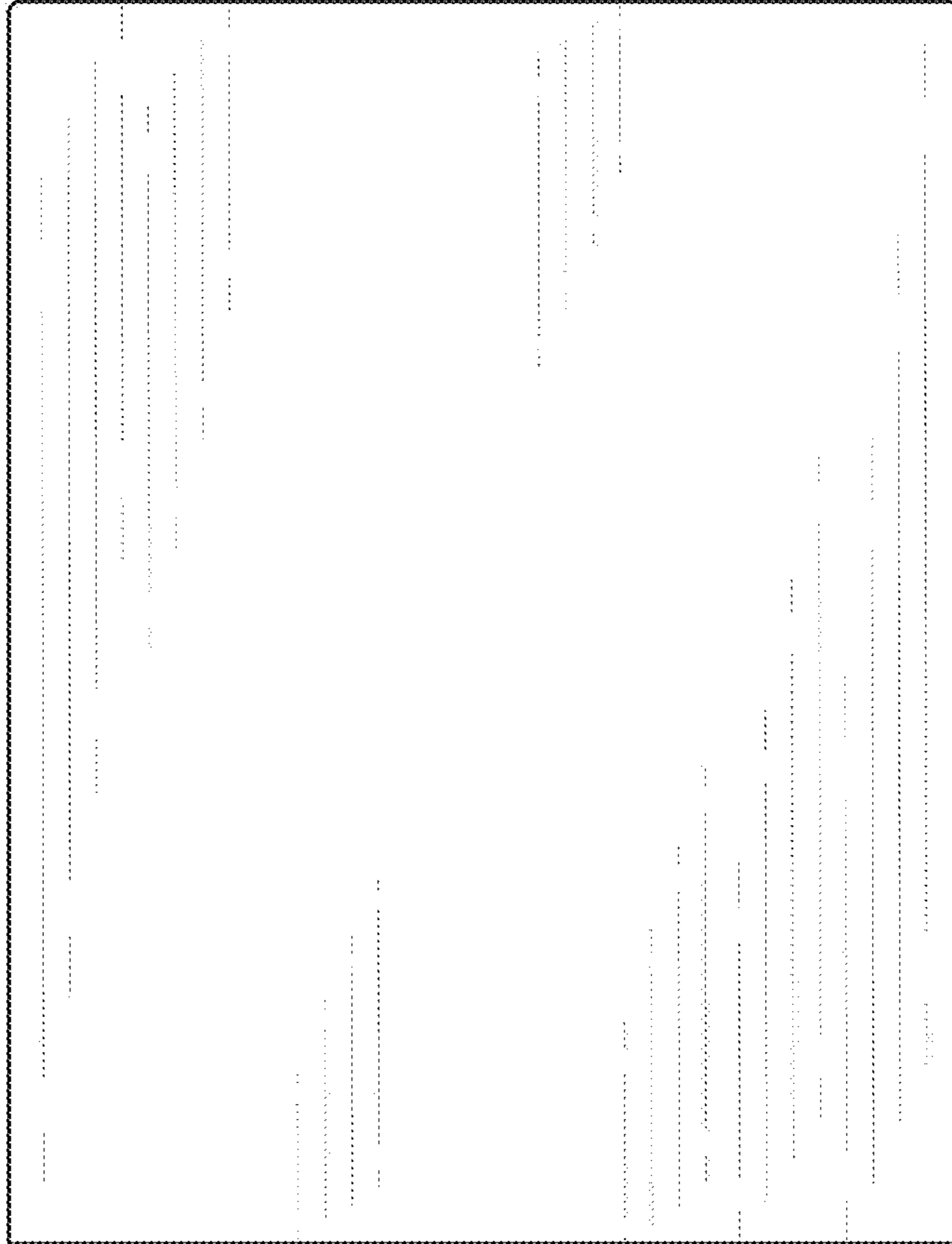


FIG. 3

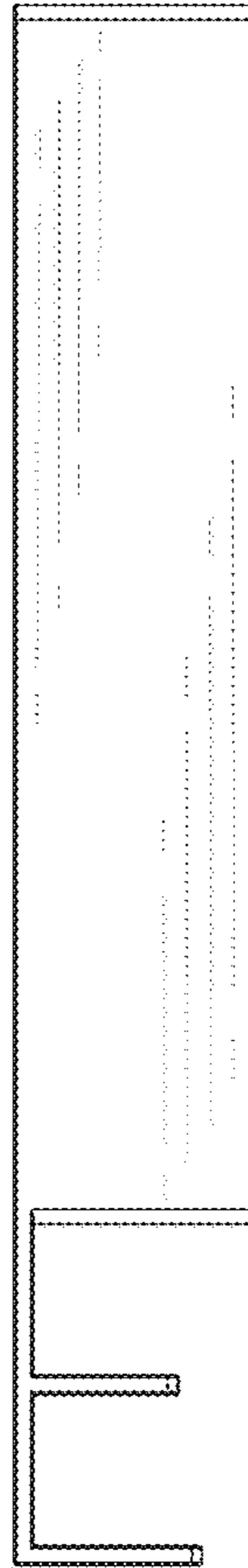


FIG. 4

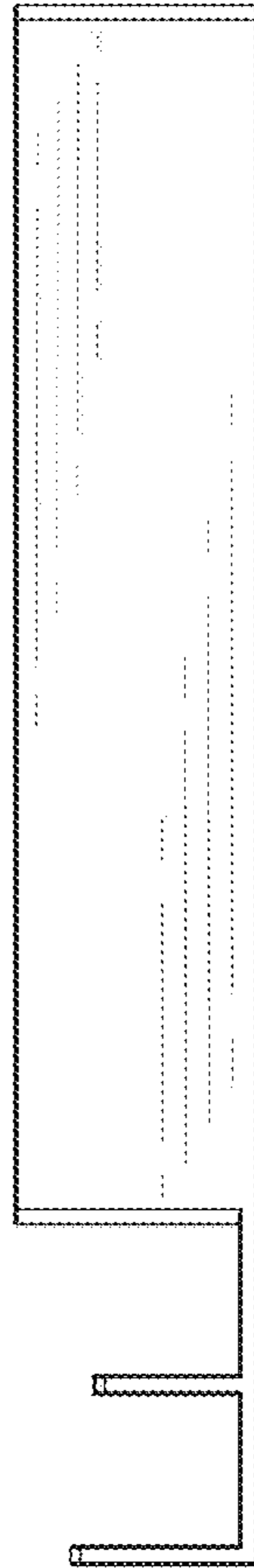


FIG. 5

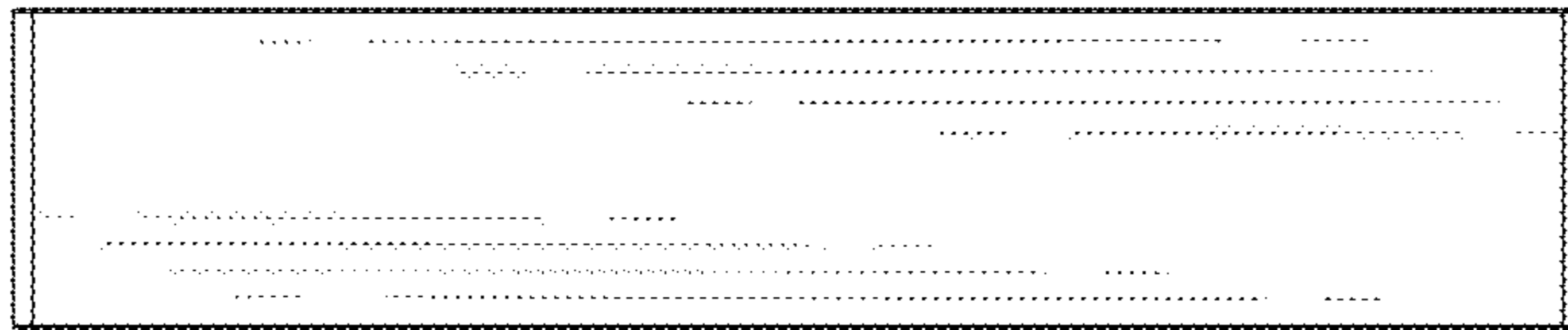


FIG. 6

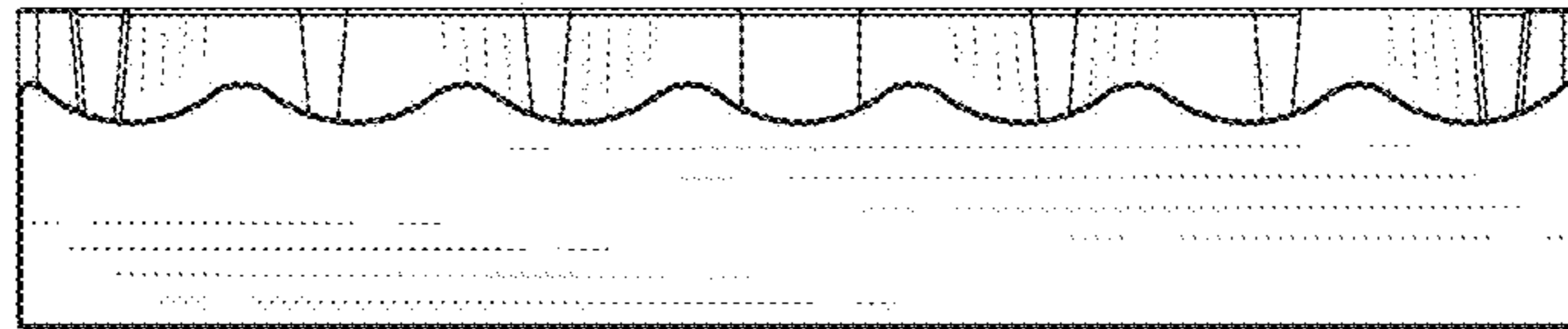


FIG. 7



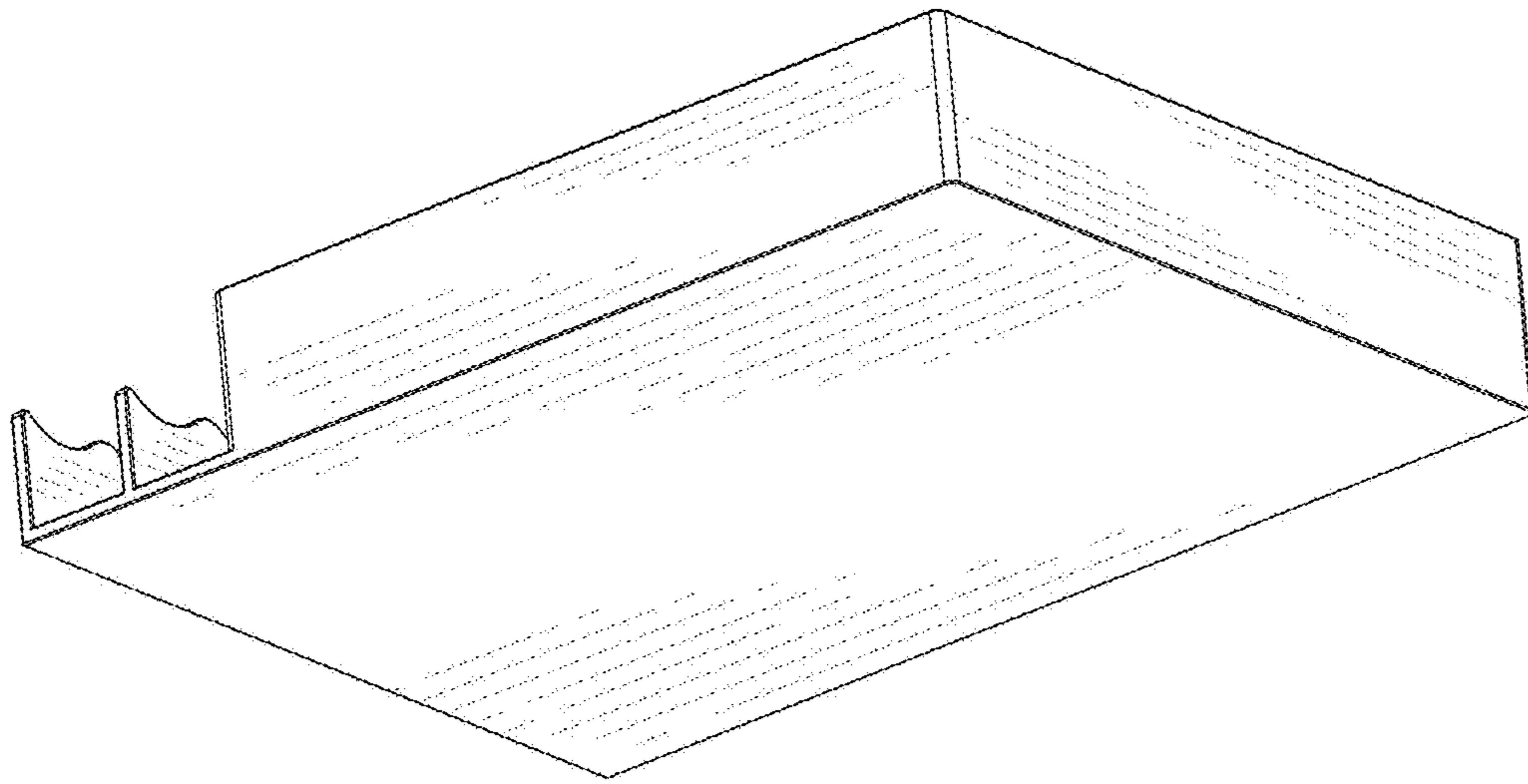


FIG. 8