



US00D948967S

(12) **United States Design Patent**
Samartgis

(10) **Patent No.:** **US D948,967 S**

(45) **Date of Patent:** **** *Apr. 19, 2022**

- (54) **CONTAINER BASE**
- (71) Applicant: **THE DECOR CORPORATION PTY LTD**, Scoresby (AU)
- (72) Inventor: **Jim Samartgis**, Bulleen (AU)
- (73) Assignee: **THE DECOR CORPORATION PTY LTD**, Scoresby (AU)
- (*) Notice: This patent is subject to a terminal disclaimer.
- (**) Term: **15 Years**
- (21) Appl. No.: **29/628,768**
- (22) Filed: **Dec. 7, 2017**
- (51) **LOC (13) Cl.** **09-07**
- (52) **U.S. Cl.**
USPC **D7/630**
- (58) **Field of Classification Search**
USPC D7/505, 513, 553.1–553.3, 554.3–555,
D7/590, 592, 596–597, 600–600.1,
(Continued)

(56) **References Cited**

U.S. PATENT DOCUMENTS

- D355,814 S * 2/1995 VanValkenburg D7/538
 - D377,739 S * 2/1997 Carlson D7/602
- (Continued)

FOREIGN PATENT DOCUMENTS

- EM 004539385-0004 * 12/2017
 - EM 004539385-0005 * 12/2017
- (Continued)

OTHER PUBLICATIONS

Match-ups Clips Square 430 ml Container, Décor, décor.com.au, author not listed, published on Apr. 3, 2019 © The Décor Corporation Pty Ltd, online, site visited Oct. 21, 2019. Available at URL: <https://www.decor.com.au/product/match-ups-clips-square-430ml/> (Year: 2019).*

(Continued)

Primary Examiner — Lakiya G Rogers
Assistant Examiner — Altaira J Swangin
(74) *Attorney, Agent, or Firm* — Kilpatrick Townsend & Stockton LLP

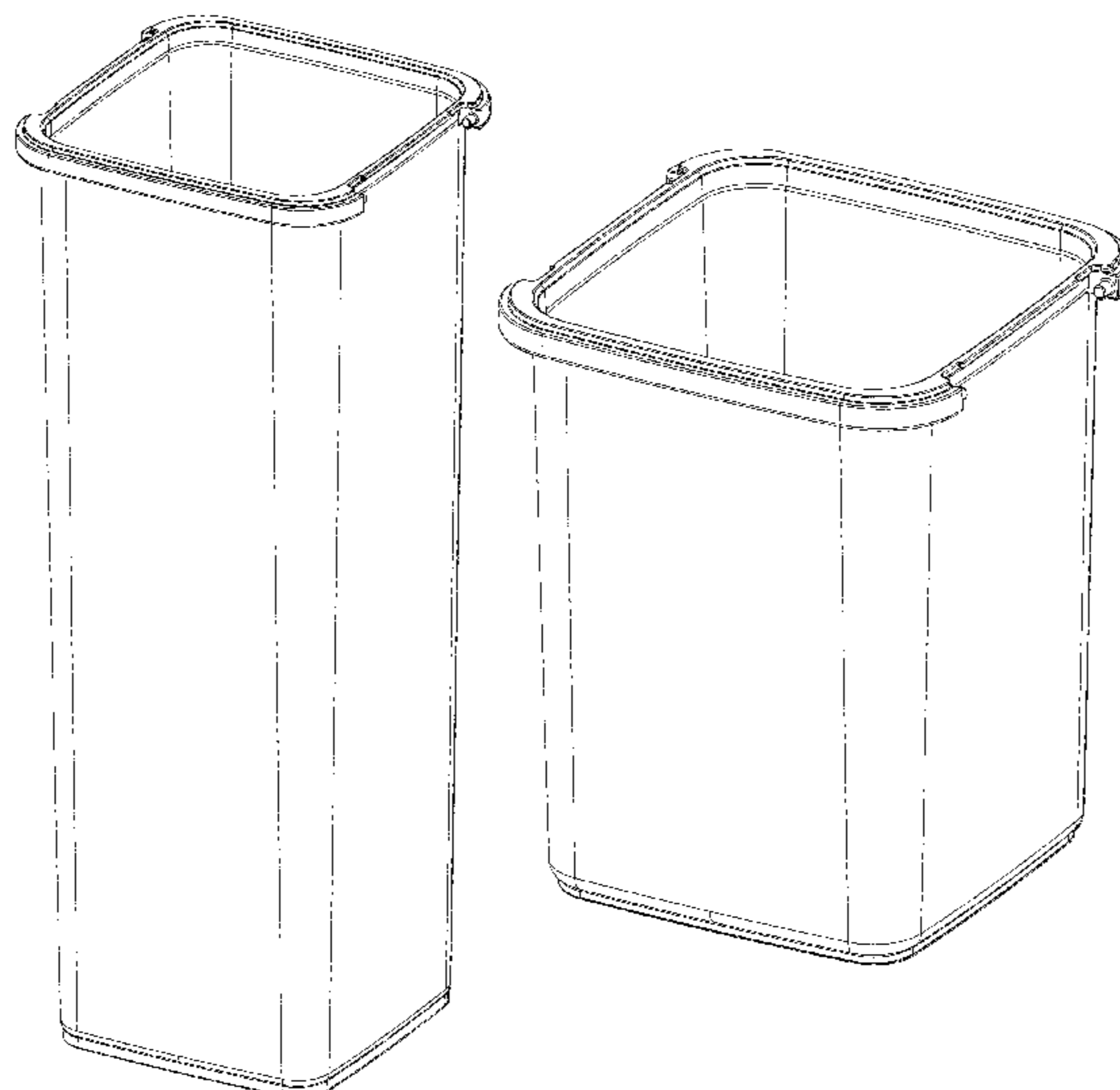
(57) **CLAIM**

The ornamental design for a container base, as shown and described.

DESCRIPTION

FIG. 1 is top, front perspective view of a first embodiment of a container base showing my new design; FIG. 2 is a bottom, rear perspective view thereof; FIG. 3 is a top plan view thereof; FIG. 4 is a bottom plan view thereof; FIG. 5 is a front elevational view thereof; FIG. 6 is a rear elevational view thereof; FIG. 7 is a left side elevational view thereof; and FIG. 8 is a right side elevational view thereof. FIG. 9 is top, front perspective view of a second embodiment of a container base showing my new design; FIG. 10 is a bottom, rear perspective view thereof; FIG. 11 is a top plan view thereof; FIG. 12 is a bottom plan view thereof; FIG. 13 is a front elevational view thereof; FIG. 14 is a rear elevational view thereof; FIG. 15 is a left side elevational view thereof; and FIG. 16 is a right side elevational view thereof. FIG. 17 is top, front perspective view of a third embodiment of a container base showing my new design; FIG. 18 is a bottom, rear perspective view thereof; FIG. 19 is a top plan view thereof; FIG. 20 is a bottom plan view thereof; FIG. 21 is a front elevational view thereof; FIG. 22 is a rear elevational view thereof; FIG. 23 is a left side elevational view thereof; and, FIG. 24 is a right side elevational view thereof. The broken lines represent portions of the container base which form no part of the claimed design.

1 Claim, 21 Drawing Sheets



(58) **Field of Classification Search**

USPC D7/600.3–600.4, 602, 611, 614–615,
 D7/619.1, 630, 701, 704, 629; D6/675,
 D6/675.1–675.2, 675.5, 680–680.2, 681,
 D6/690–691, 680–680.3, 690–691;
 211/30, 73–74; D9/747, 751–753,
 D9/756–760, 762; 206/129, 712, 736;
 D19/92, 101–105, 107; D32/53, 53.1, 55
 CPC F16M 11/00; A47K 1/09; A47F 7/0064;
 A47J 47/02; A47J 47/06; A47J 47/10;
 B65D 1/36; B65D 81/3446; B65D 1/00;
 B65D 45/12; B65D 45/16; B65D 45/18;
 B65D 45/20; B65D 45/22; B65D 45/30;
 B65D 45/322; A47G 23/04; A47G
 23/0683; A47G 23/06

See application file for complete search history.

(56) **References Cited**

U.S. PATENT DOCUMENTS

D403,924 S * 1/1999 Carlson D7/602
 7,325,698 B2 * 2/2008 Halbmaier H01L 21/67373
 206/710
 D568,693 S * 5/2008 Furlong D7/629
 D601,386 S * 10/2009 Carlson D7/602
 D601,387 S * 10/2009 Carlson D7/602
 D601,857 S * 10/2009 Carlson D7/602
 D618,516 S * 6/2010 DiPietro D7/629
 D630,900 S * 1/2011 Samartgis D7/602
 D630,901 S * 1/2011 Samartgis D7/602
 D631,300 S * 1/2011 Samartgis D7/602
 D655,576 S * 3/2012 Samartgis D7/602
 D672,612 S * 12/2012 Stamper D7/602
 D696,075 S * 12/2013 Mashike D7/605
 D697,763 S * 1/2014 Carlson D7/602
 8,839,491 B2 * 9/2014 Kim B65D 25/2852
 16/425
 8,863,975 B2 * 10/2014 McCanless B65D 41/02
 220/324
 D717,121 S * 11/2014 Carlson D7/602
 D717,122 S * 11/2014 Carlson D7/602
 9,108,766 B2 * 8/2015 Gosen B65D 21/0204
 D759,478 S * 6/2016 Fife D9/425
 D784,125 S * 4/2017 Fife D9/425
 D810,285 S * 2/2018 Adams D24/123
 9,988,191 B2 * 6/2018 Norris G06F 1/1626
 D825,285 S * 8/2018 Bergne D7/629
 D829,545 S * 10/2018 Thurin D9/425
 D838,108 S * 1/2019 Samartgis D3/318
 D838,484 S * 1/2019 Samartgis D3/318
 10,442,609 B2 * 10/2019 Bagley B65D 85/50
 D908,440 S * 1/2021 Samartgis D7/602
 D908,441 S * 1/2021 Samartgis D7/602

D909,141 S * 2/2021 Hartley D7/602
 D913,044 S * 3/2021 Samartgis D7/602
 D913,045 S * 3/2021 Samartgis D7/602
 11,117,717 B2 * 9/2021 Chapman B65D 51/1694
 D934,635 S * 11/2021 Samartgis D7/602
 2007/0235452 A1 * 10/2007 Killinger B42F 17/08
 220/326
 2009/0289066 A1 * 11/2009 DiPietro B65D 43/0212
 220/324
 2010/0276422 A1 * 11/2010 Vovan B65D 43/021
 220/260
 2012/0024855 A1 * 2/2012 Smyers B65D 1/34
 220/324
 2012/0267369 A1 * 10/2012 Duvigneau B29C 45/0081
 220/203.01
 2013/0032597 A1 * 2/2013 Anderson B65F 1/1623
 220/324
 2013/0186897 A1 * 7/2013 Luburic B65D 25/32
 220/265
 2013/0233855 A1 * 9/2013 DeSiena B65D 45/16
 220/324
 2015/0014320 A1 * 1/2015 Koo B65D 45/20
 220/324
 2015/0232242 A1 * 8/2015 Carlson B65D 53/02
 220/367.1
 2015/0266647 A1 * 9/2015 Lui B65D 81/2015
 220/203.19
 2016/0000271 A1 * 1/2016 Park B65D 81/2038
 220/203.29
 2016/0332785 A1 * 11/2016 Sexton B65D 45/20
 2018/0249856 A1 * 9/2018 Samartgis A47J 29/02
 2018/0265256 A1 * 9/2018 Fisher, Jr. A45C 11/20
 2018/0265263 A1 * 9/2018 Li B65D 45/20
 2018/0265278 A1 * 9/2018 Bagley B65D 85/50
 2019/0185224 A1 * 6/2019 DeCarlo A45C 13/008
 2019/0233177 A1 * 8/2019 Han B65D 3/00

FOREIGN PATENT DOCUMENTS

IN 306379-0001 * 2/2019
 IN 306377-0001 * 5/2019
 IN 306376-0001 * 9/2019

OTHER PUBLICATIONS

23.5L Cookie Tub Model 1334, Sistema, décor.com.au, author not listed, published on Feb. 17, 2013 © 2019 Sistema Plastics, online, site visited Oct. 21, 2019. Available at URL: (Year: 2013).*
 Itsy Bitsy Assorted Kip It 1.2L Sandwich Box, Sistema, amazon.com, published by Sistema on Jan. 24, 2017 © 1996-2019 Amazon.com, Inc., online, site visited Oct. 21, 2019. Available at URL: <https://www.amazon.ca/Sistema-Bitsy-Assorted-Sandwich-Plastic/dp/B0098KK00I> (Year: 2017).*

* cited by examiner

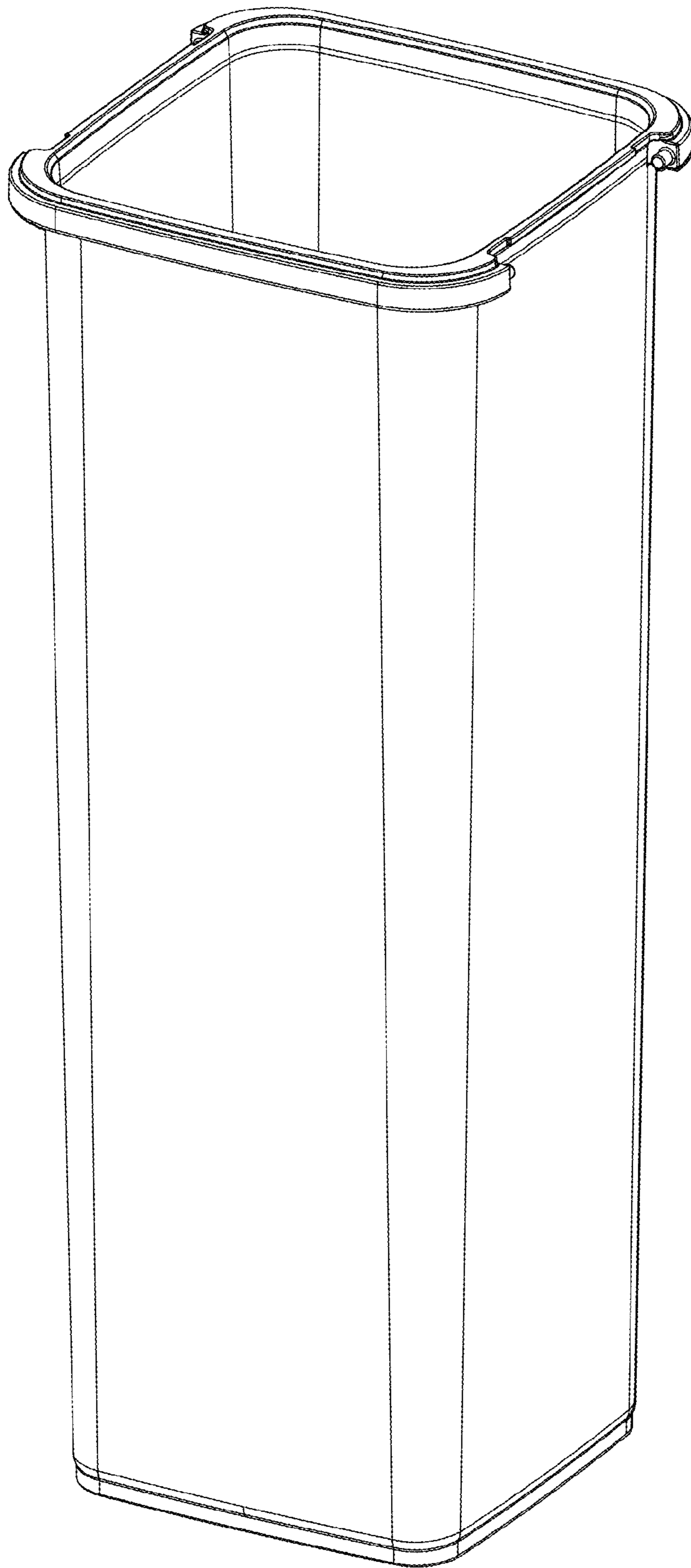


Figure 1

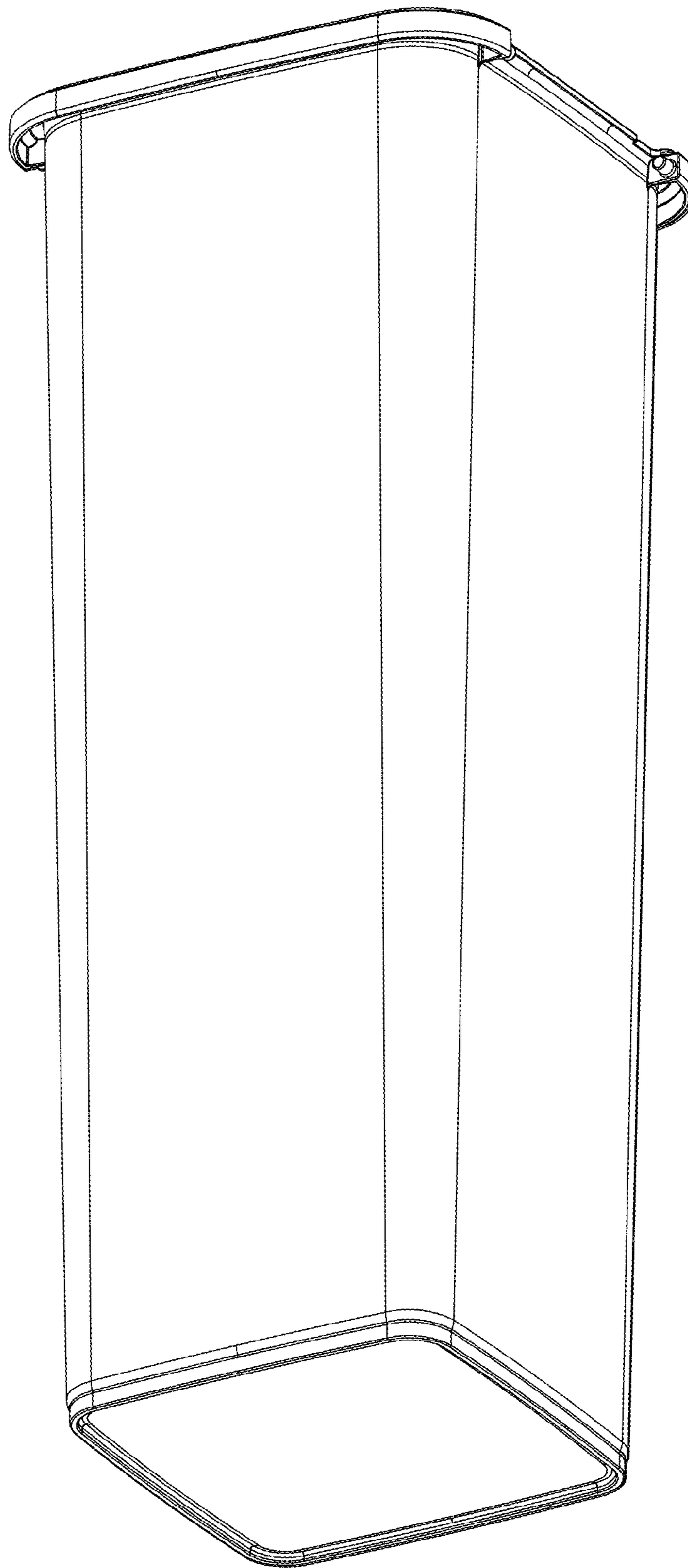


Figure 2

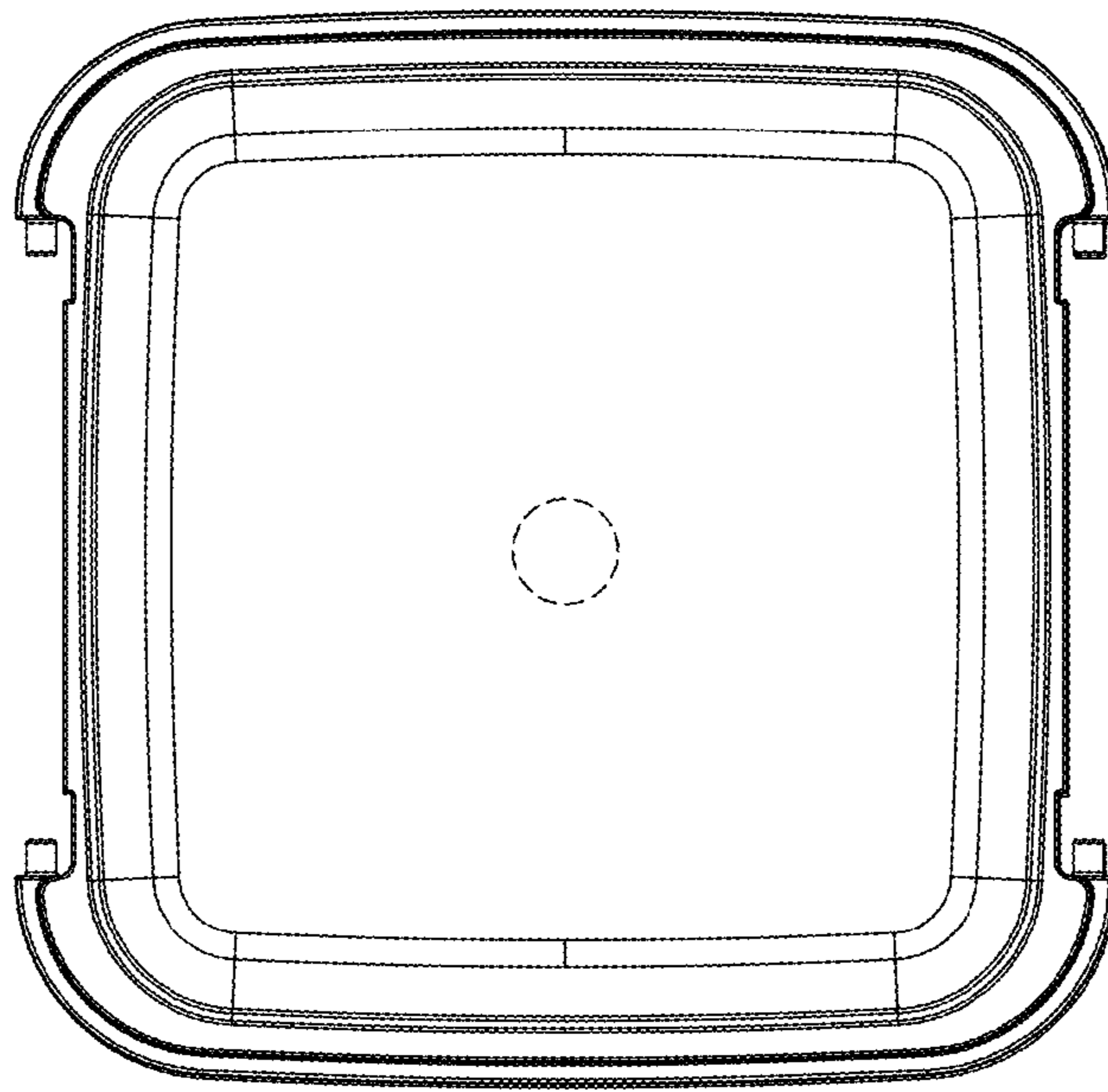


Figure 3

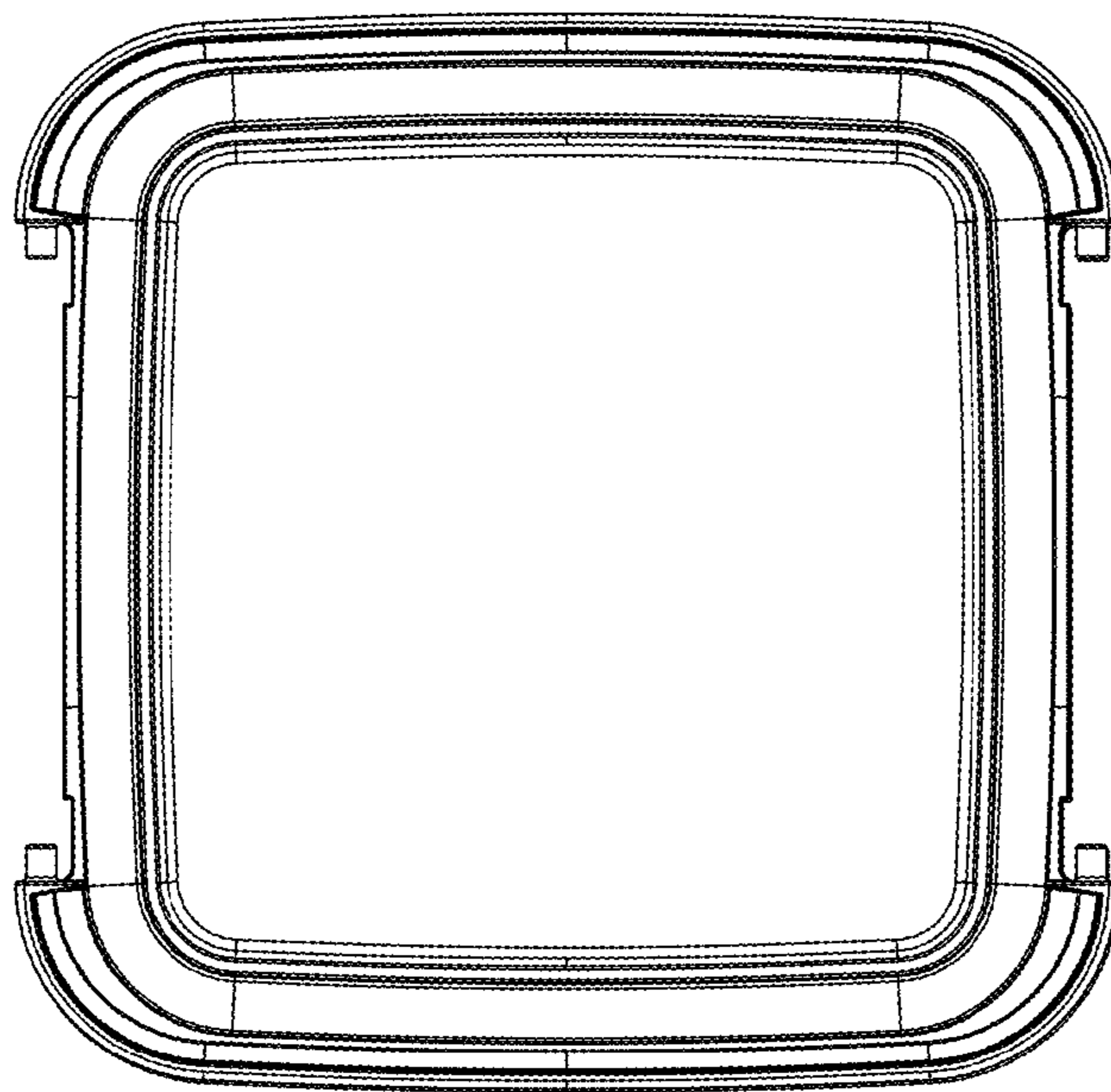


Figure 4

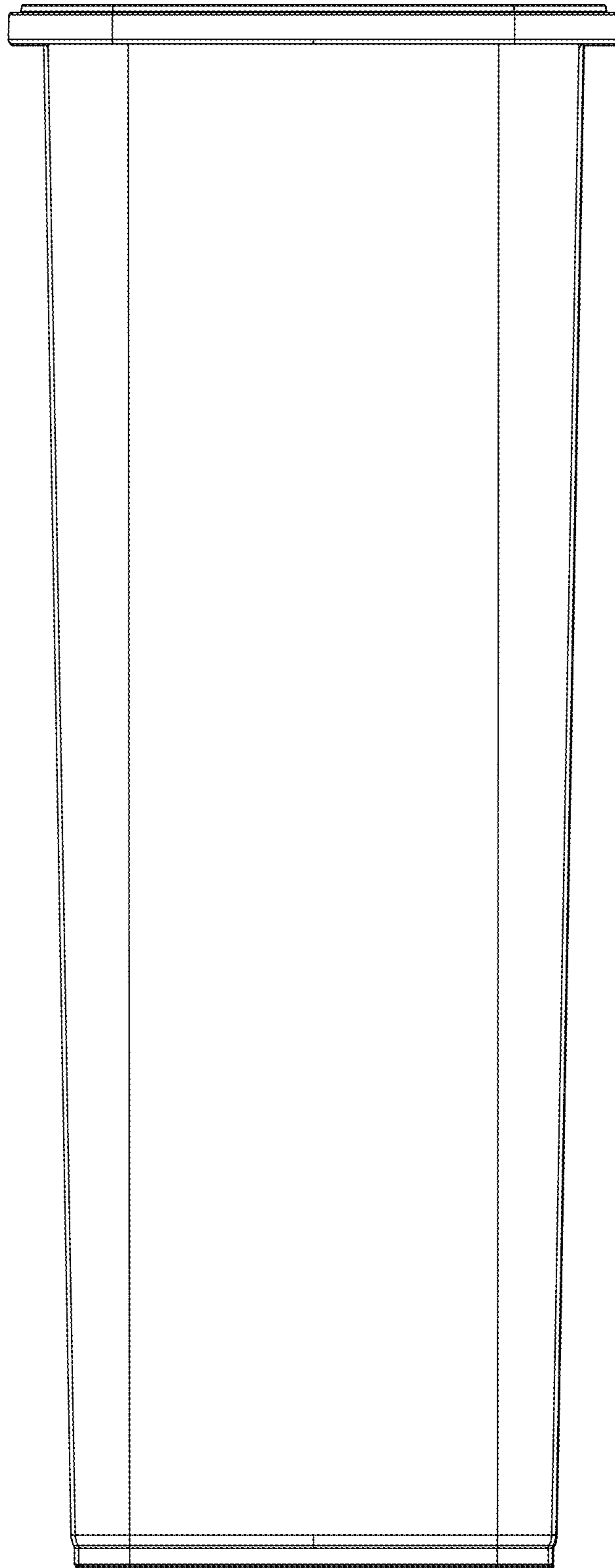


Figure 5

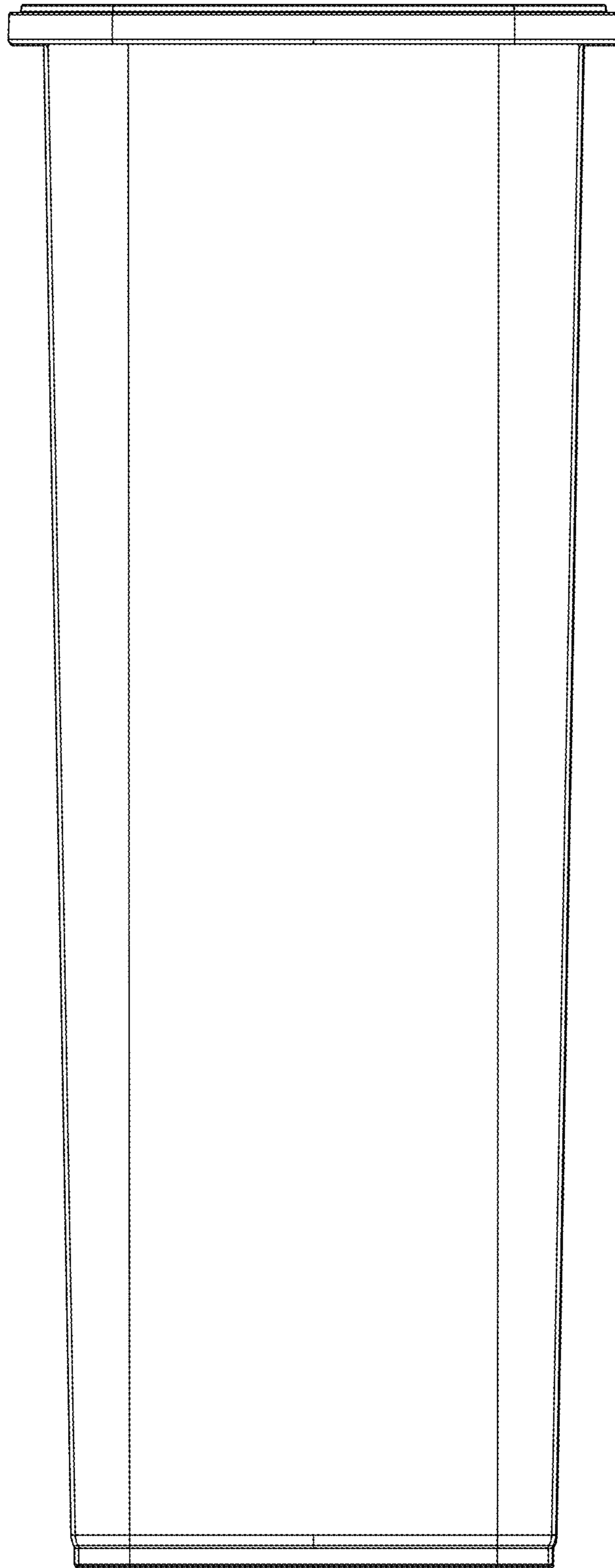


Figure 6

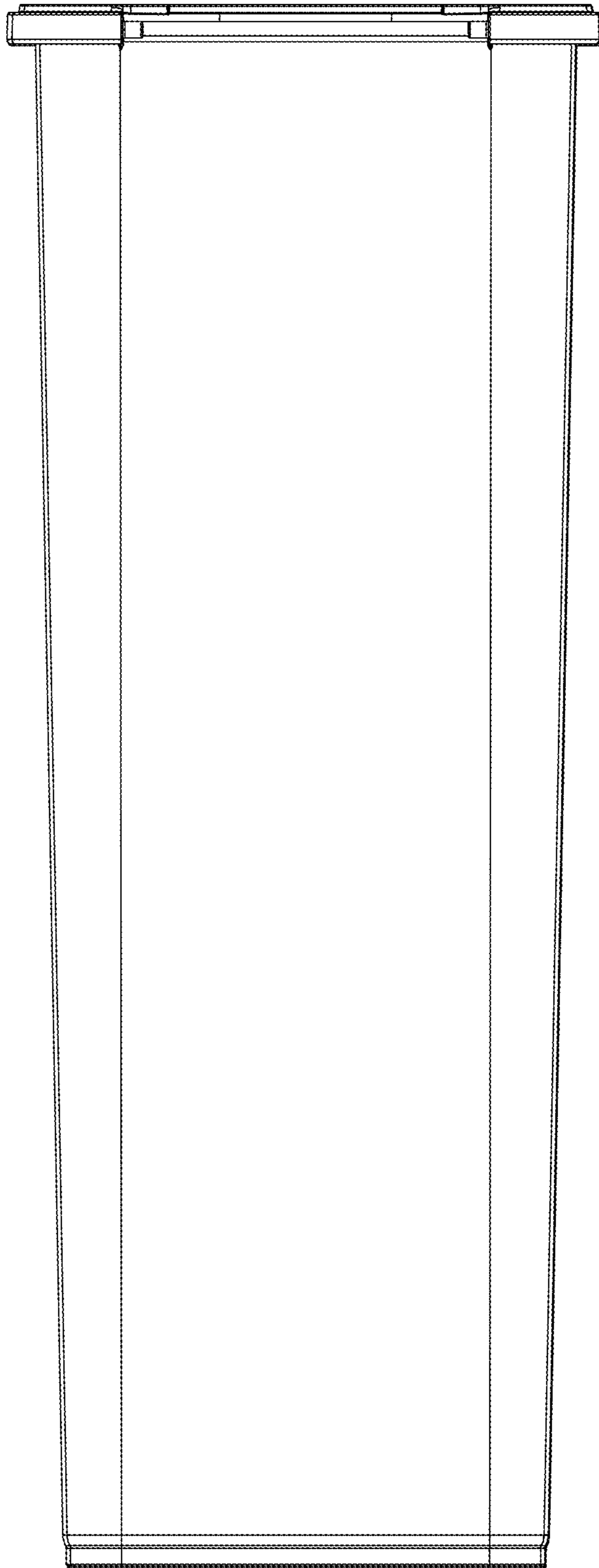


Figure 7

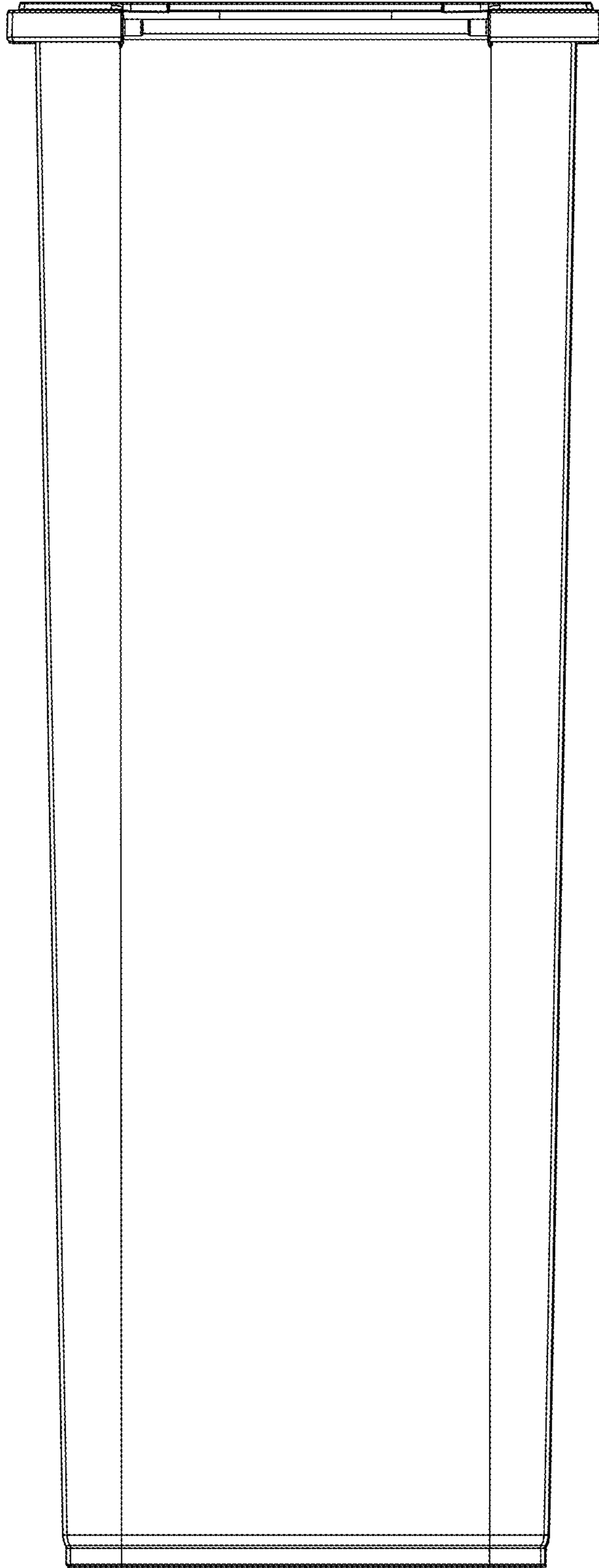


Figure 8

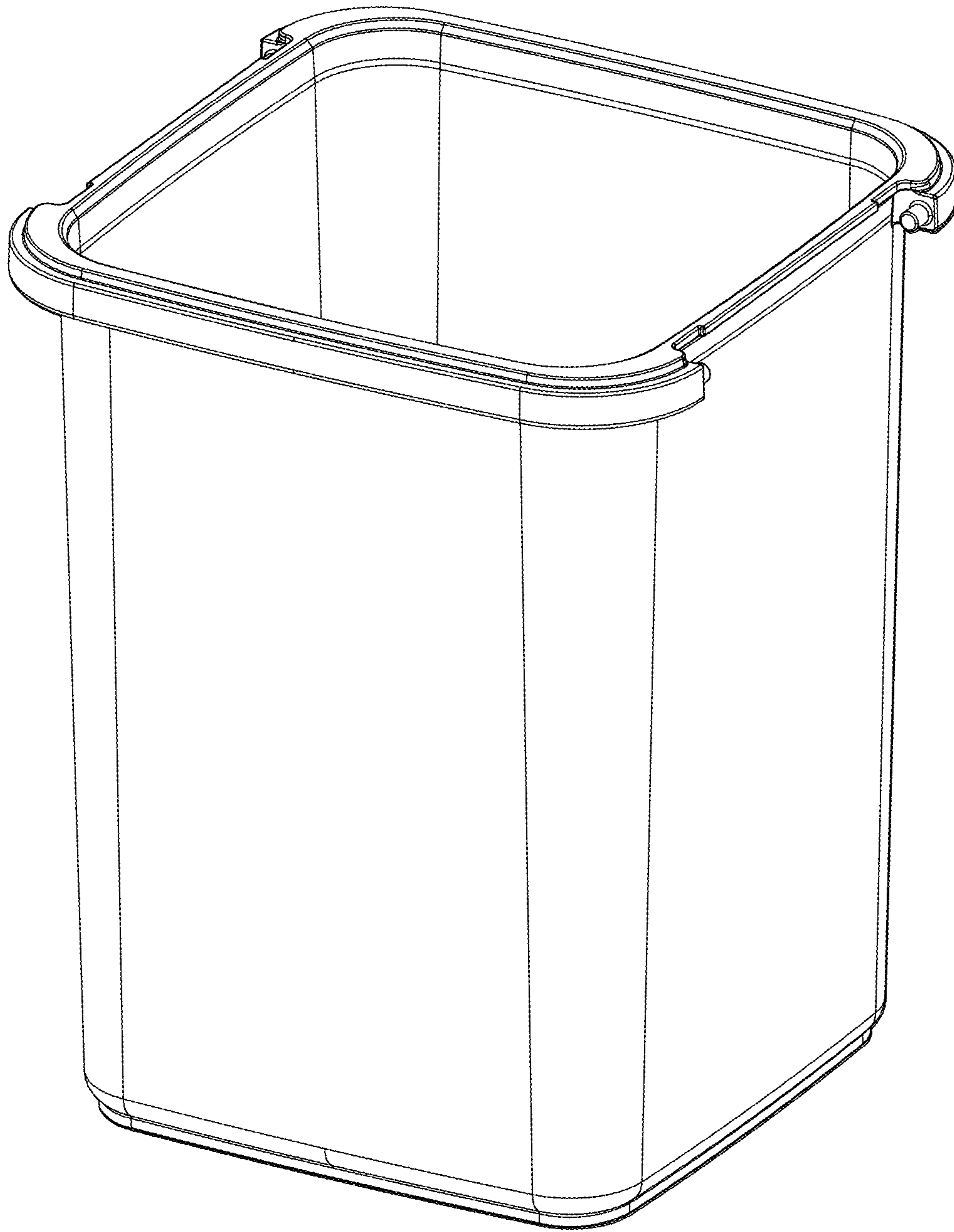


Figure 9

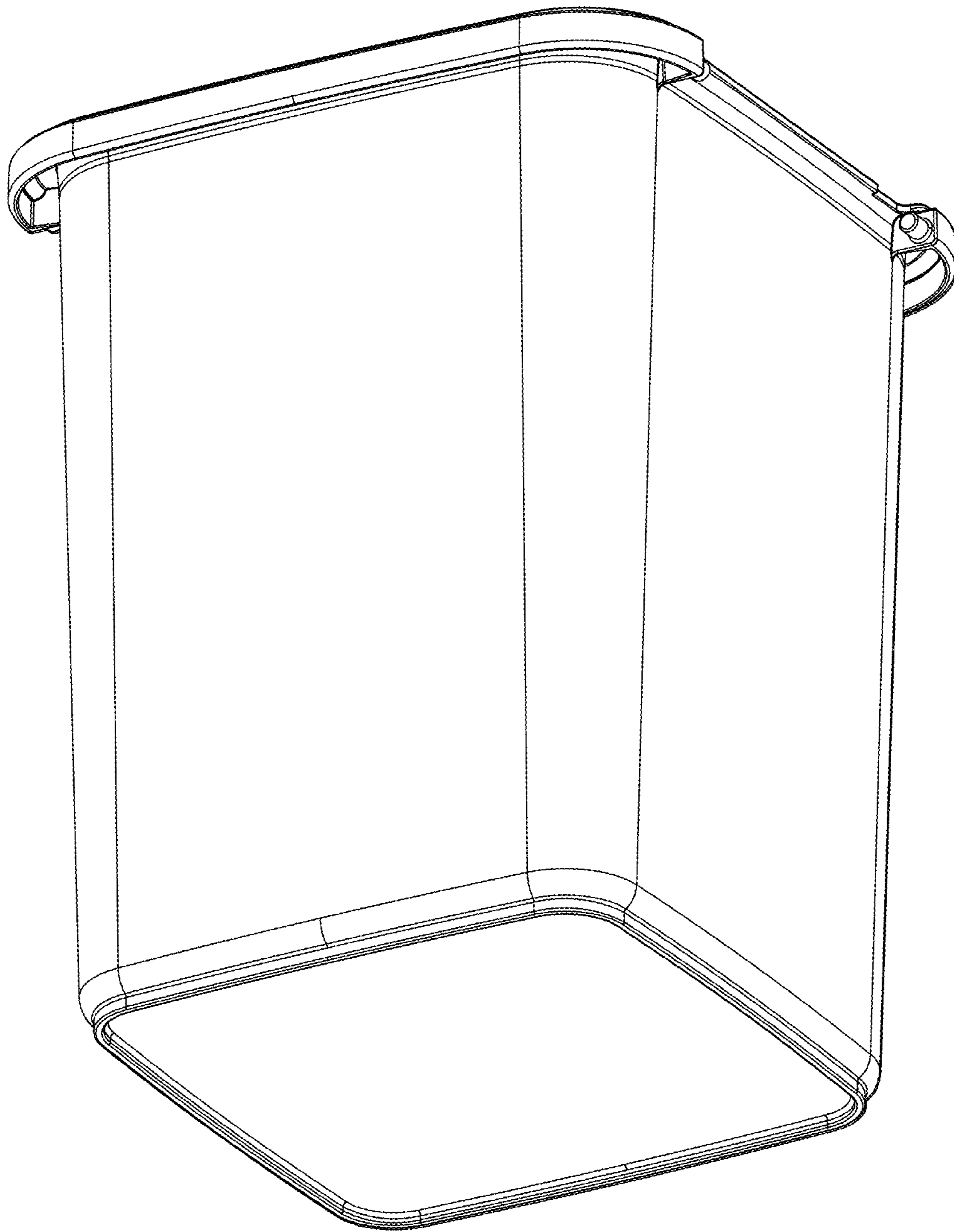


Figure 10

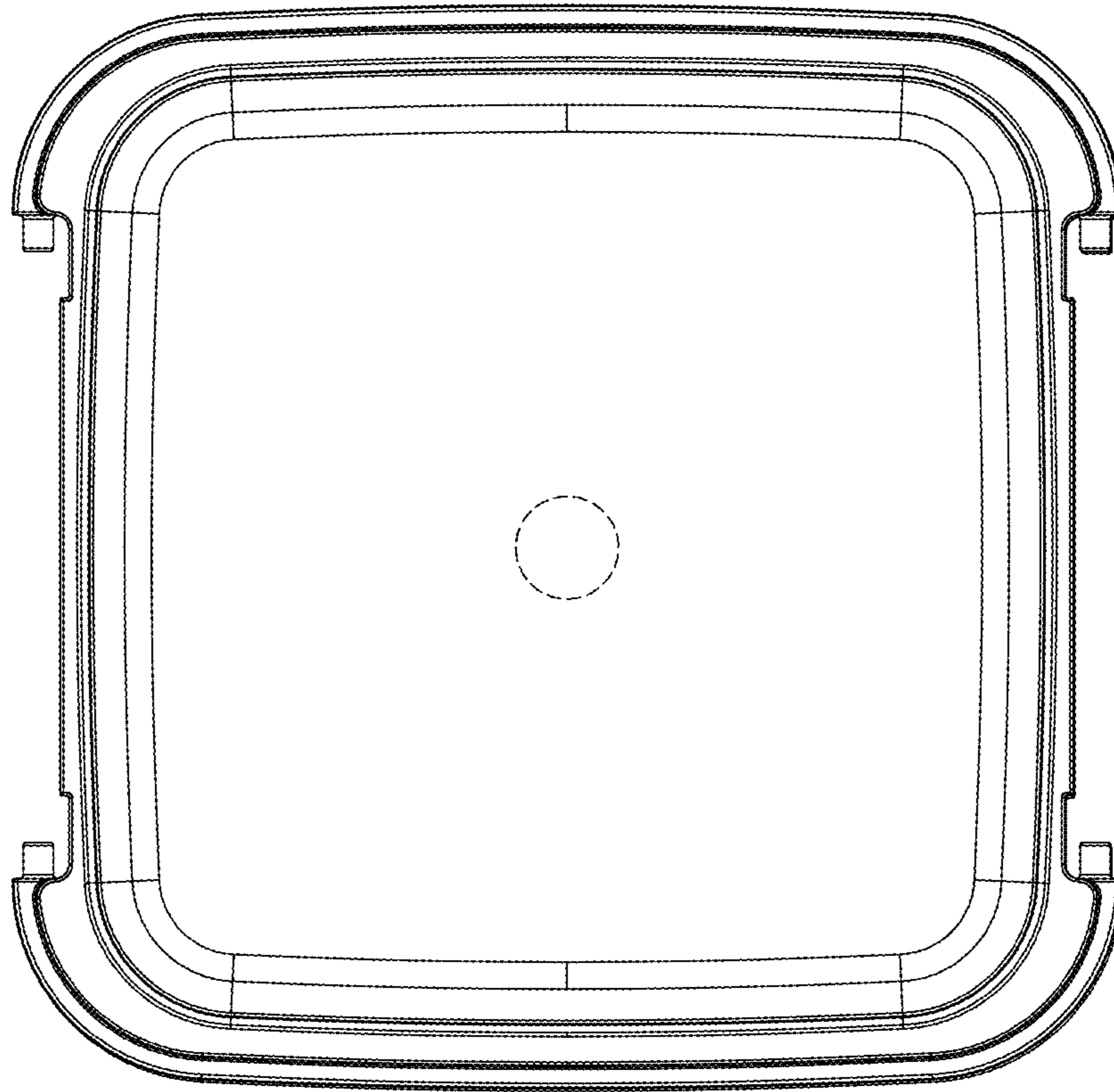


Figure 11

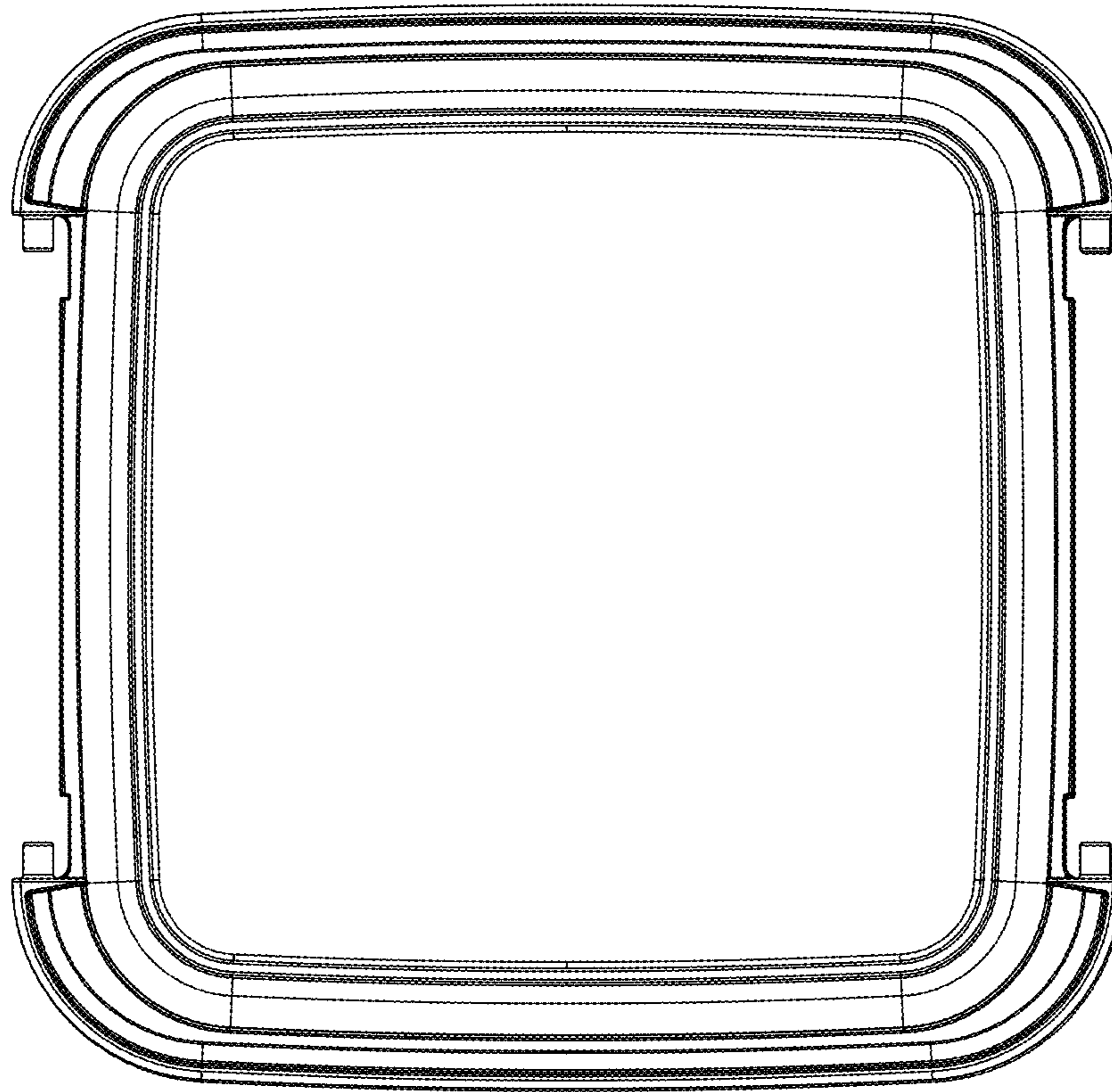


Figure 12

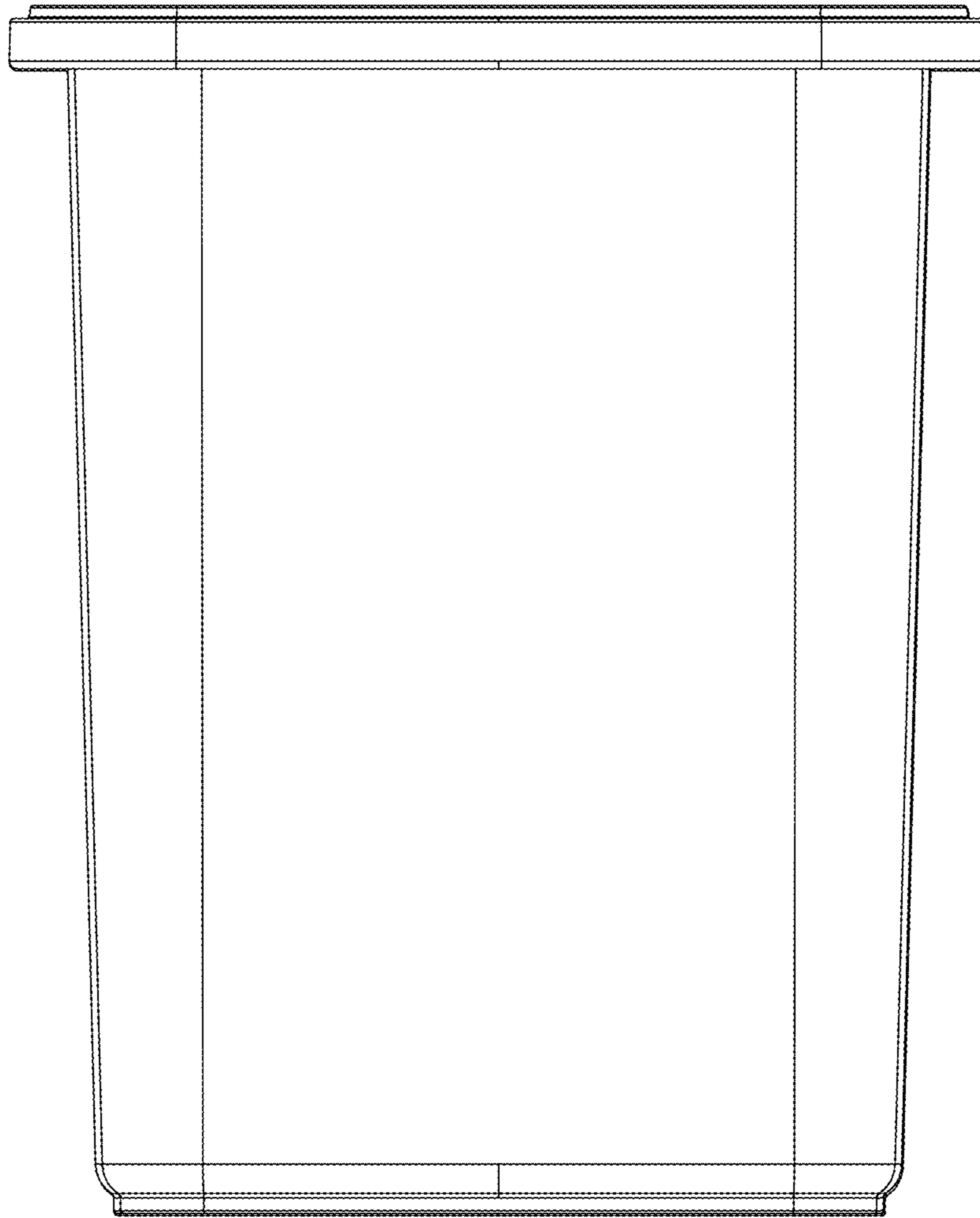


Figure 13

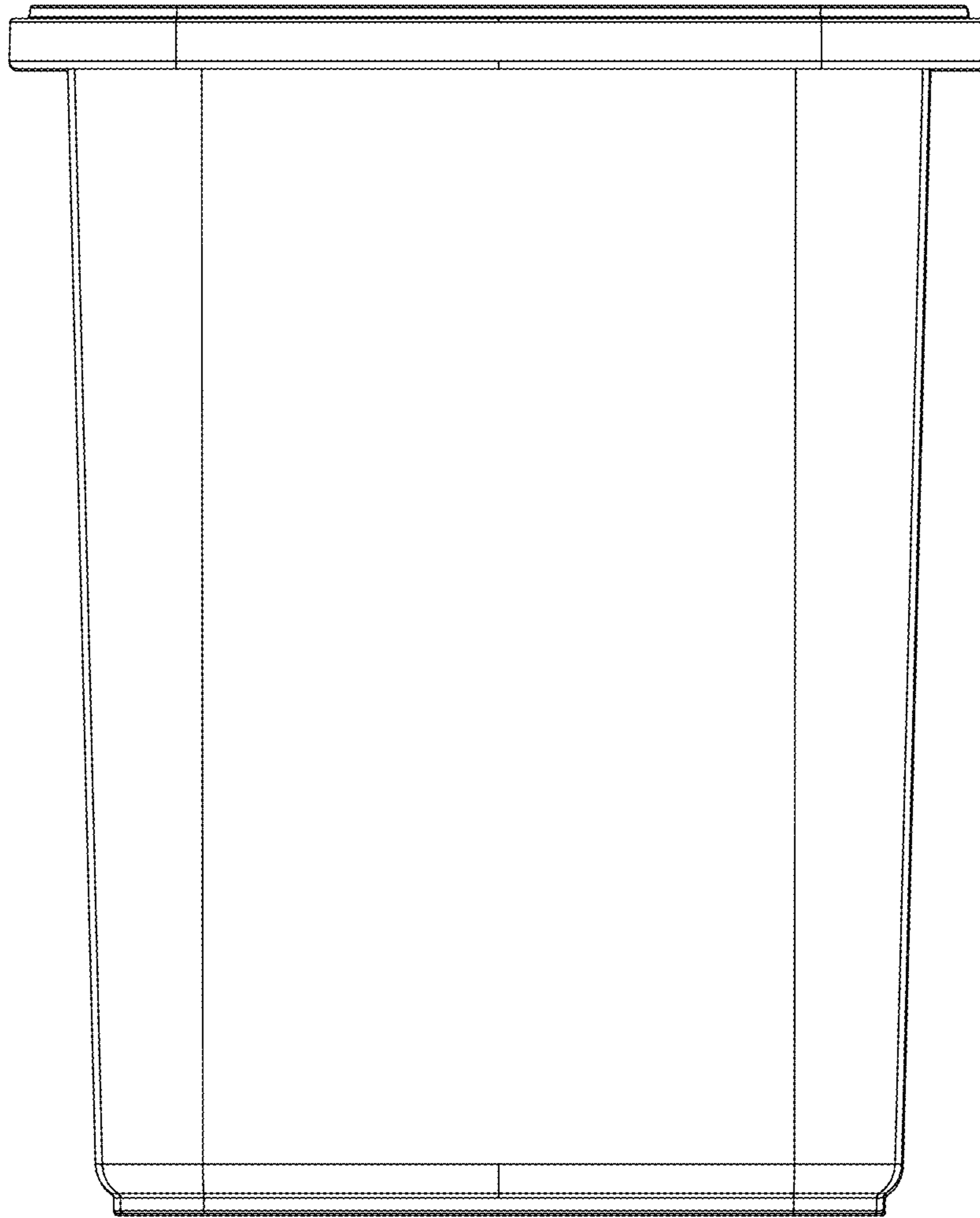


Figure 14

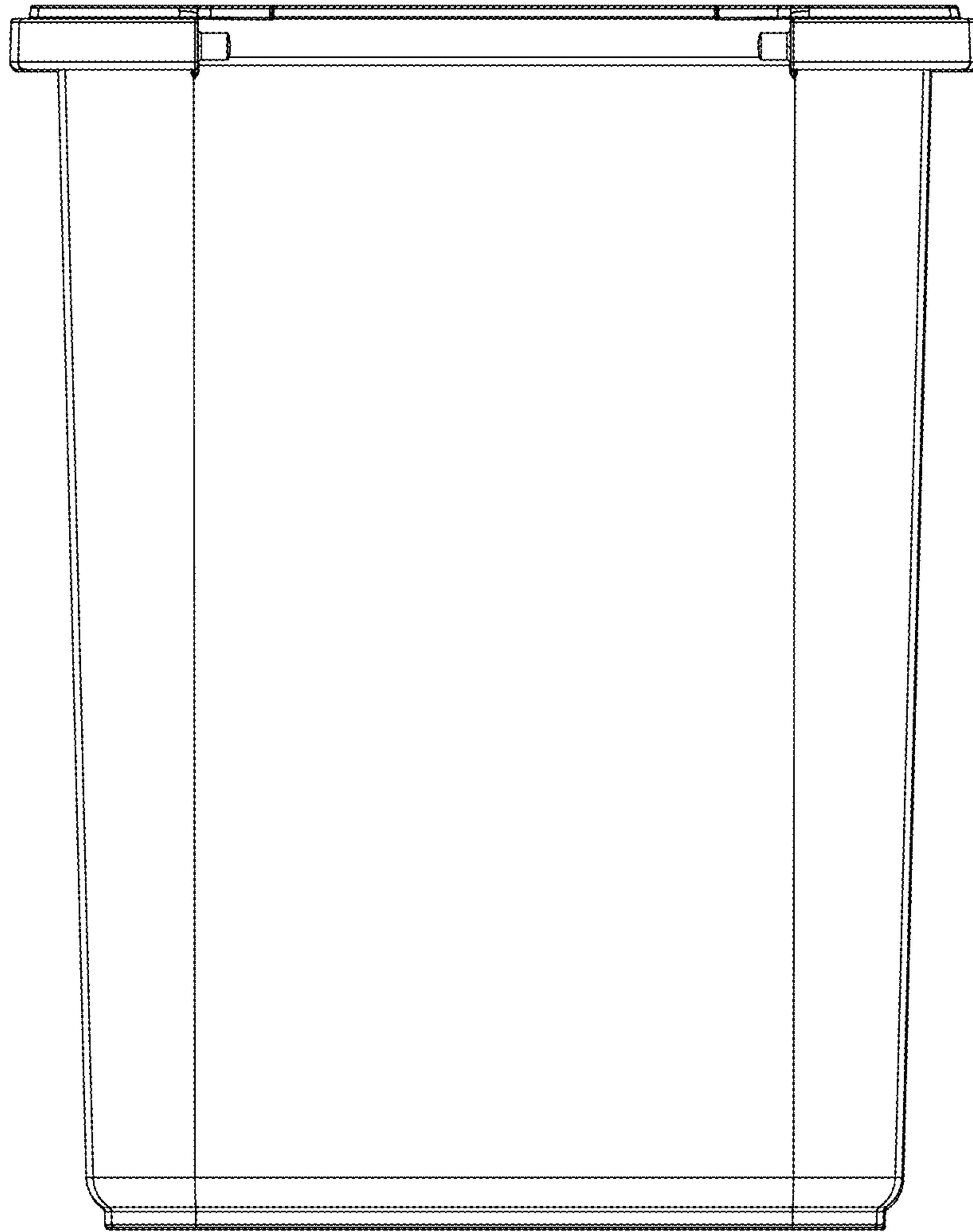


Figure 15

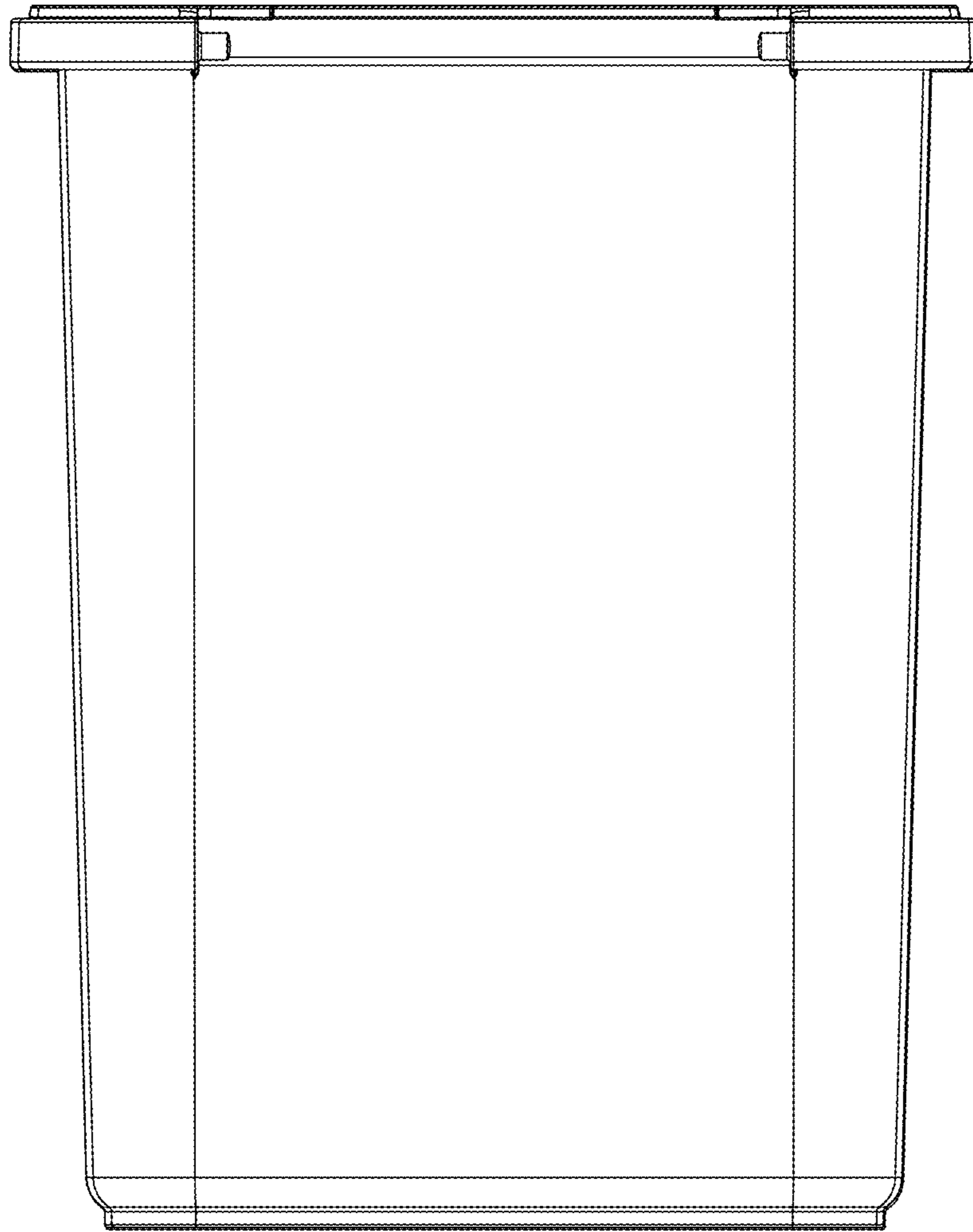


Figure 16

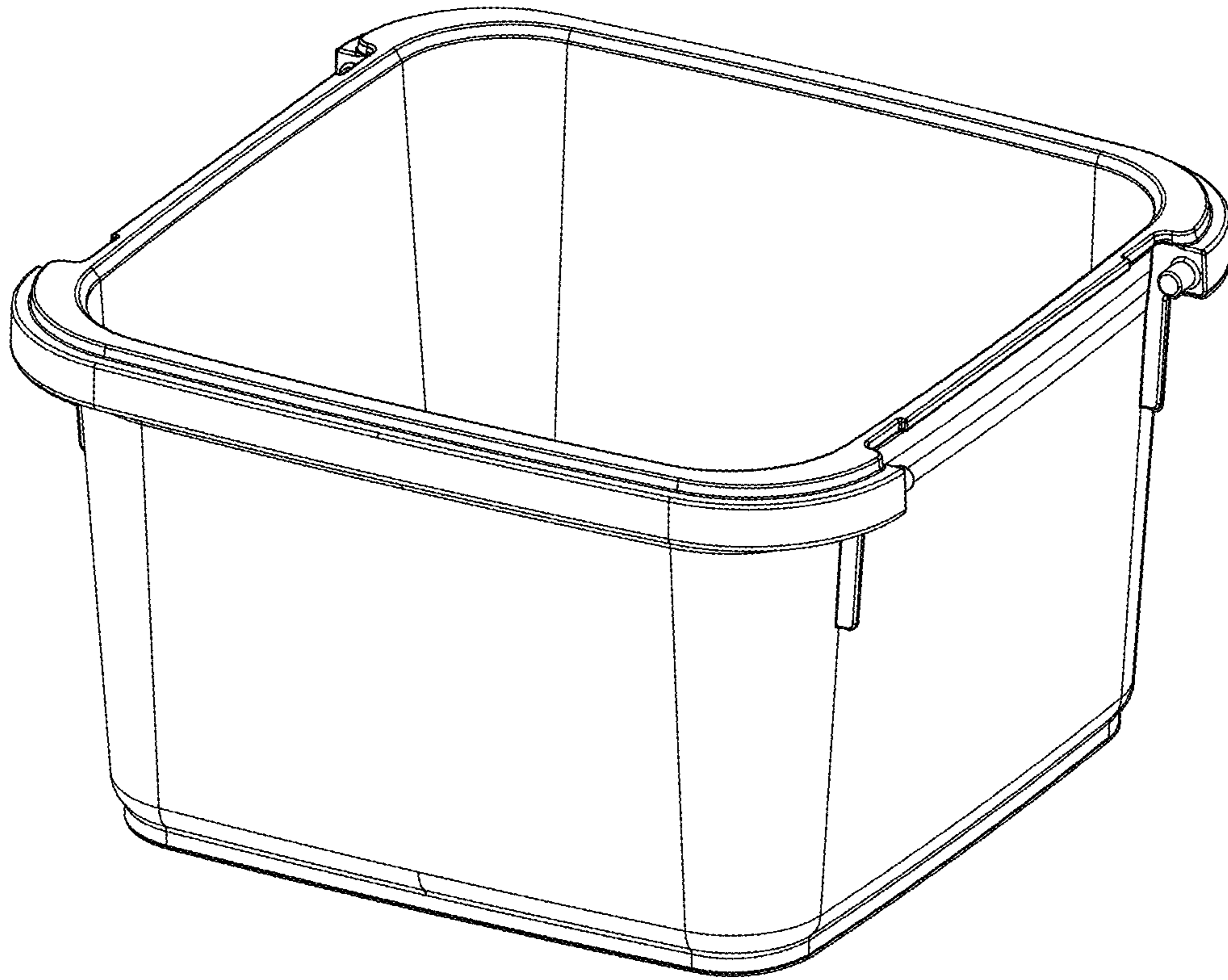


Figure 17

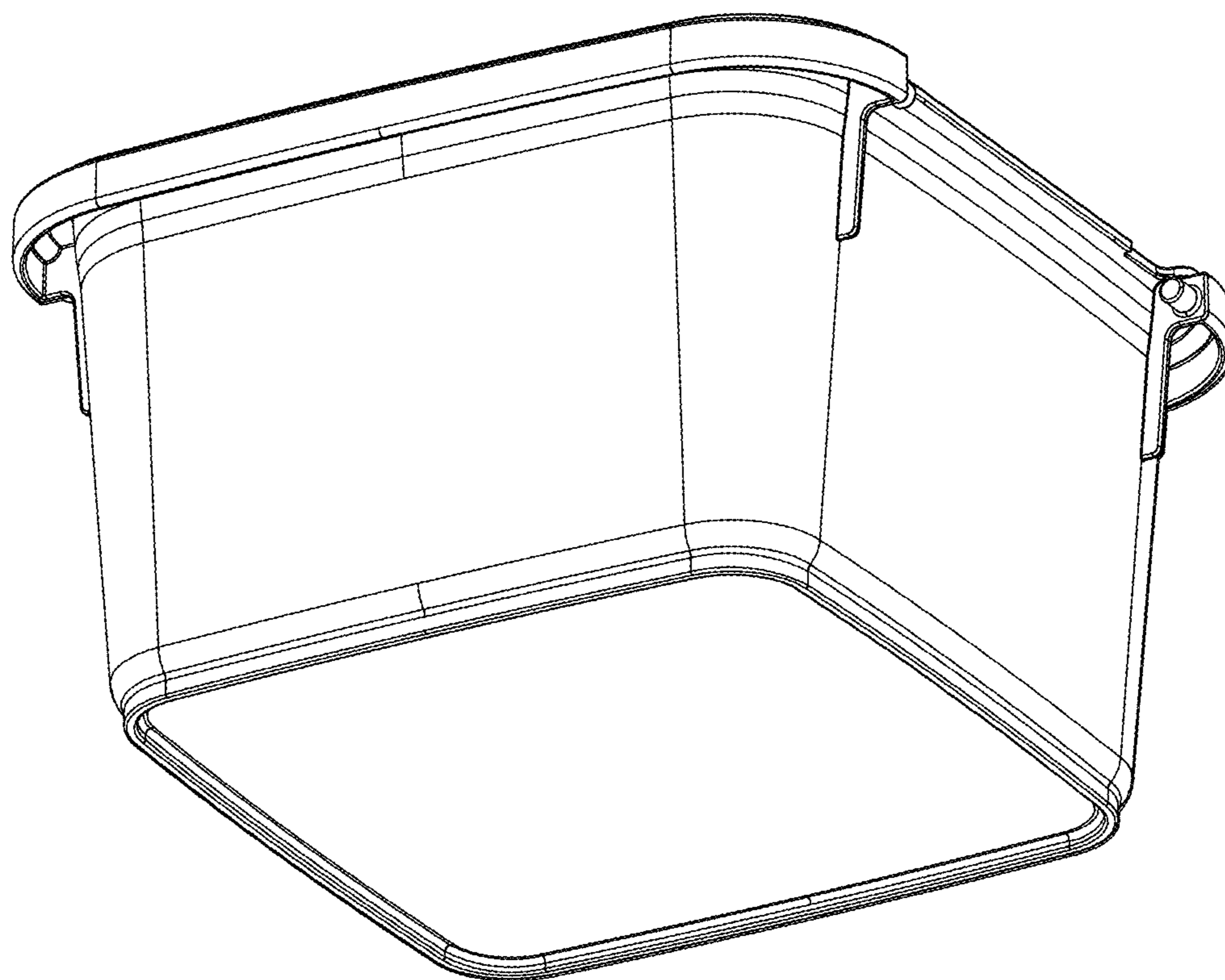


Figure 18

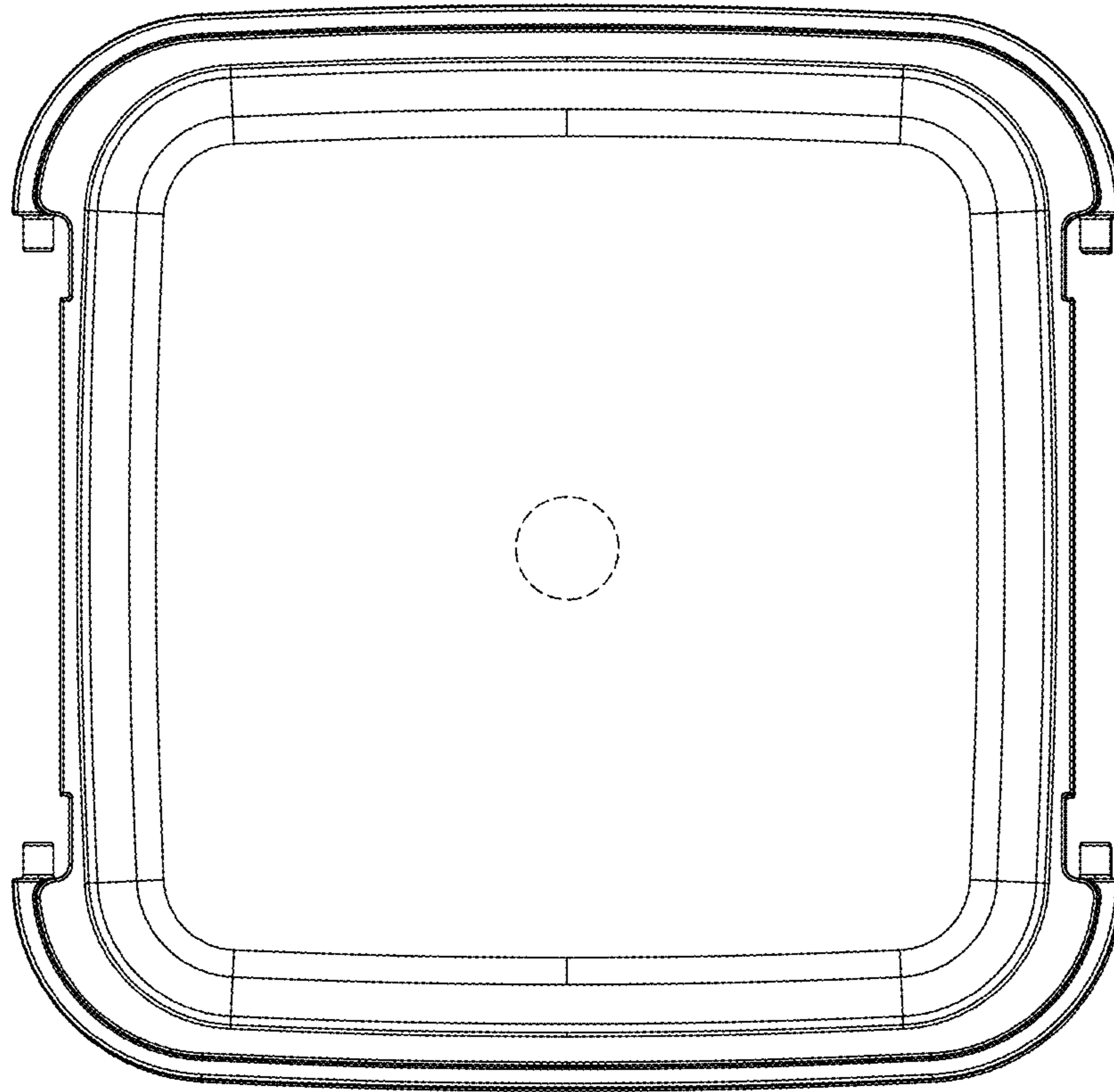


Figure 19

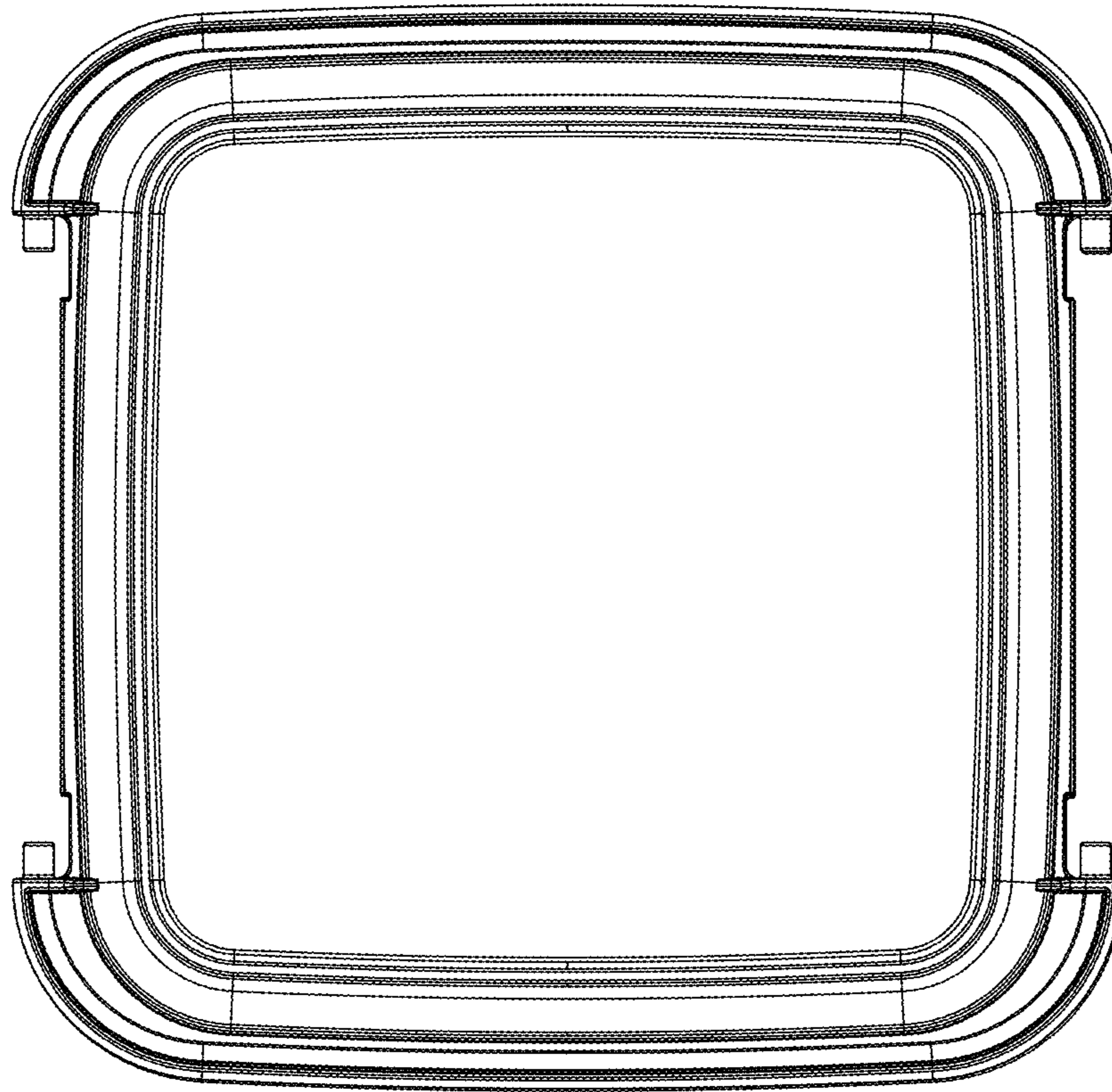


Figure 20

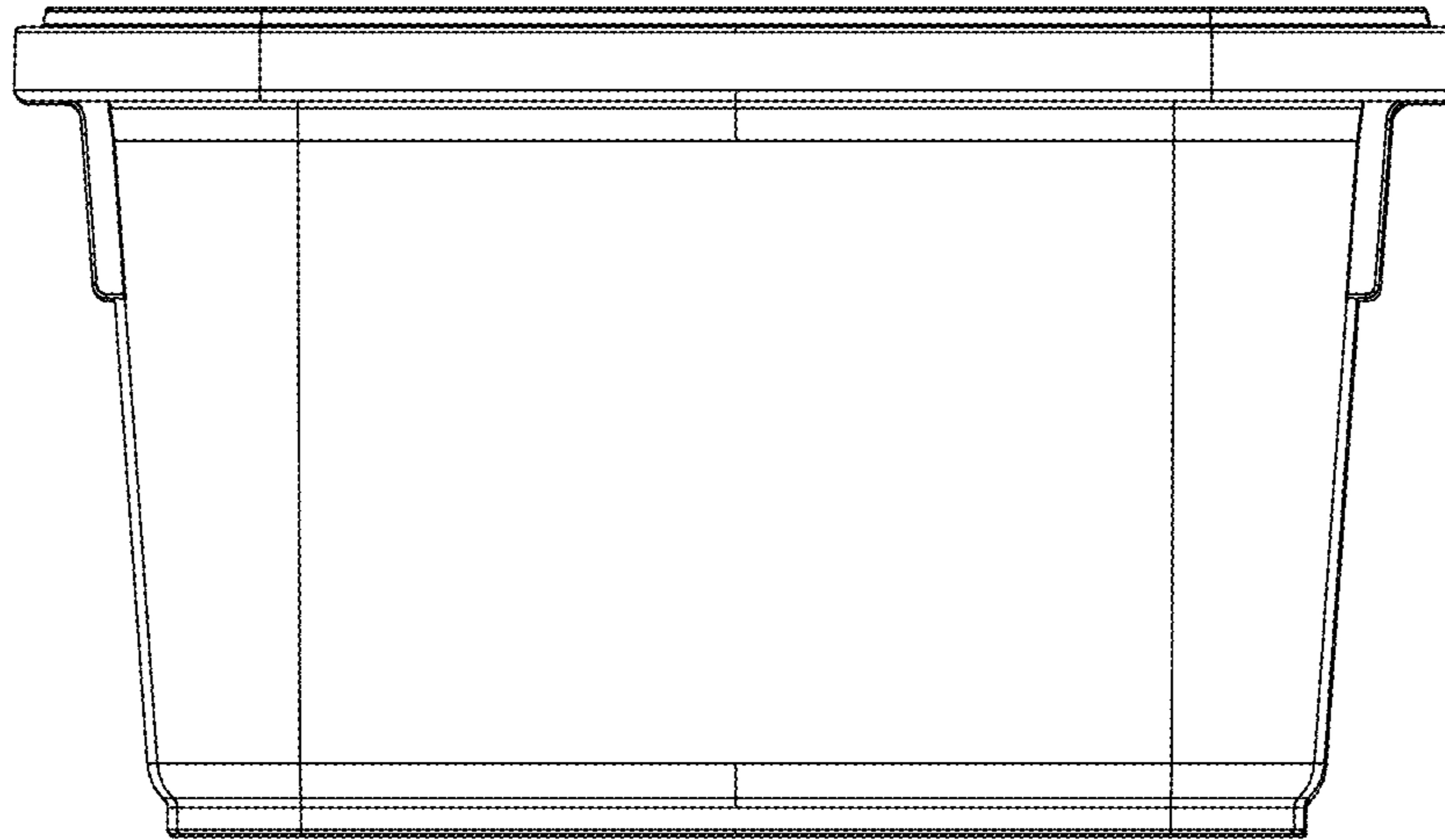


Figure 21

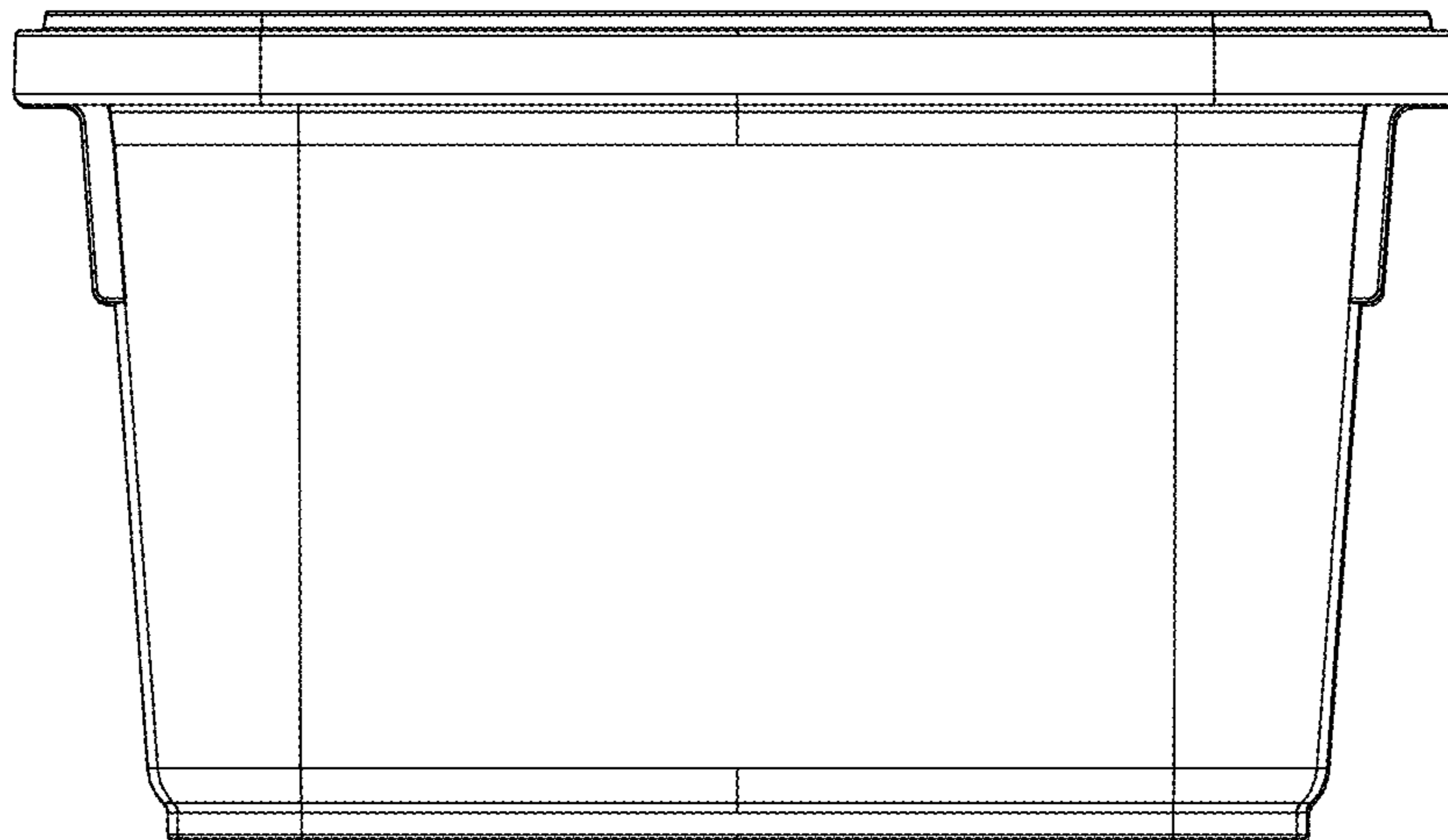


Figure 22

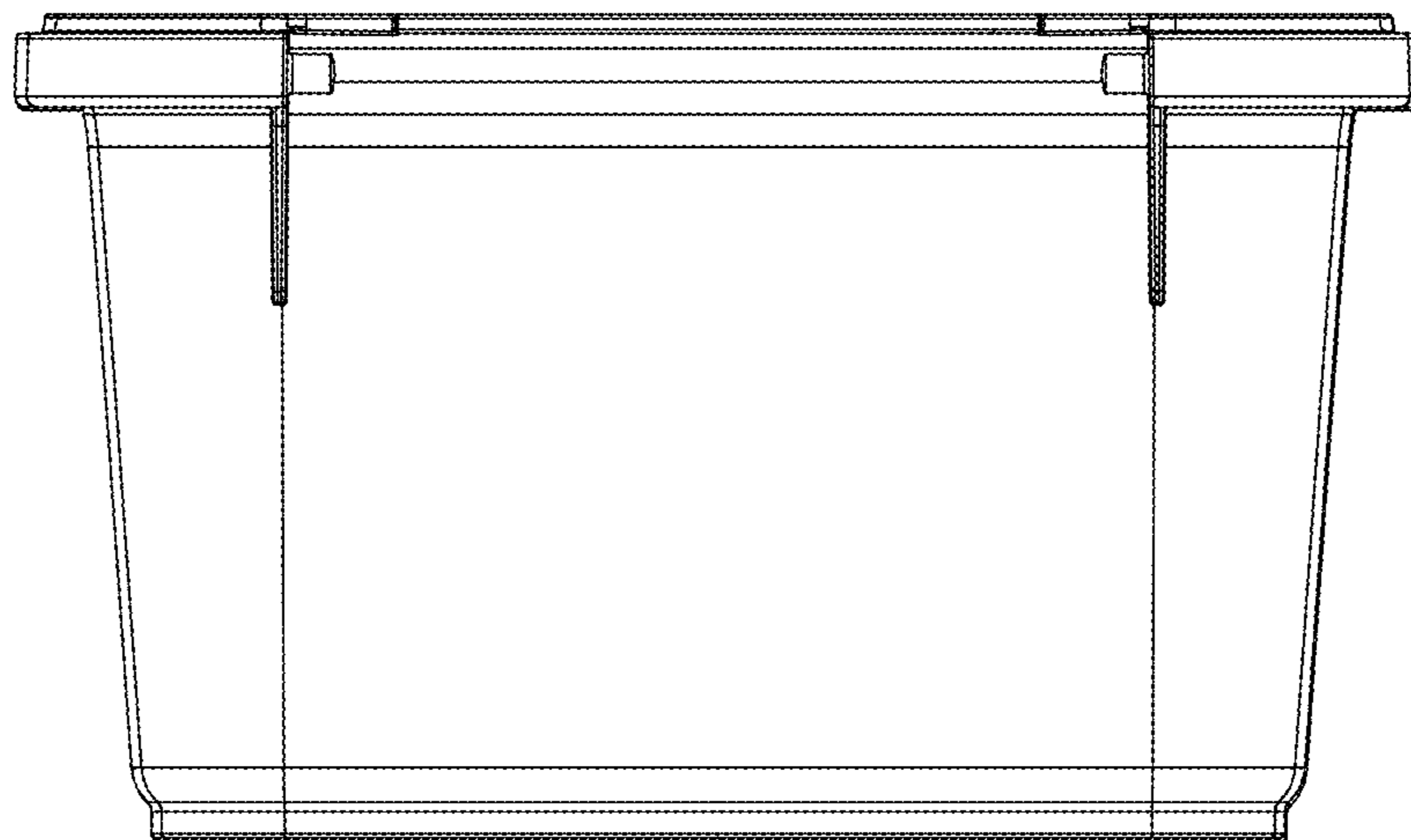


Figure 23

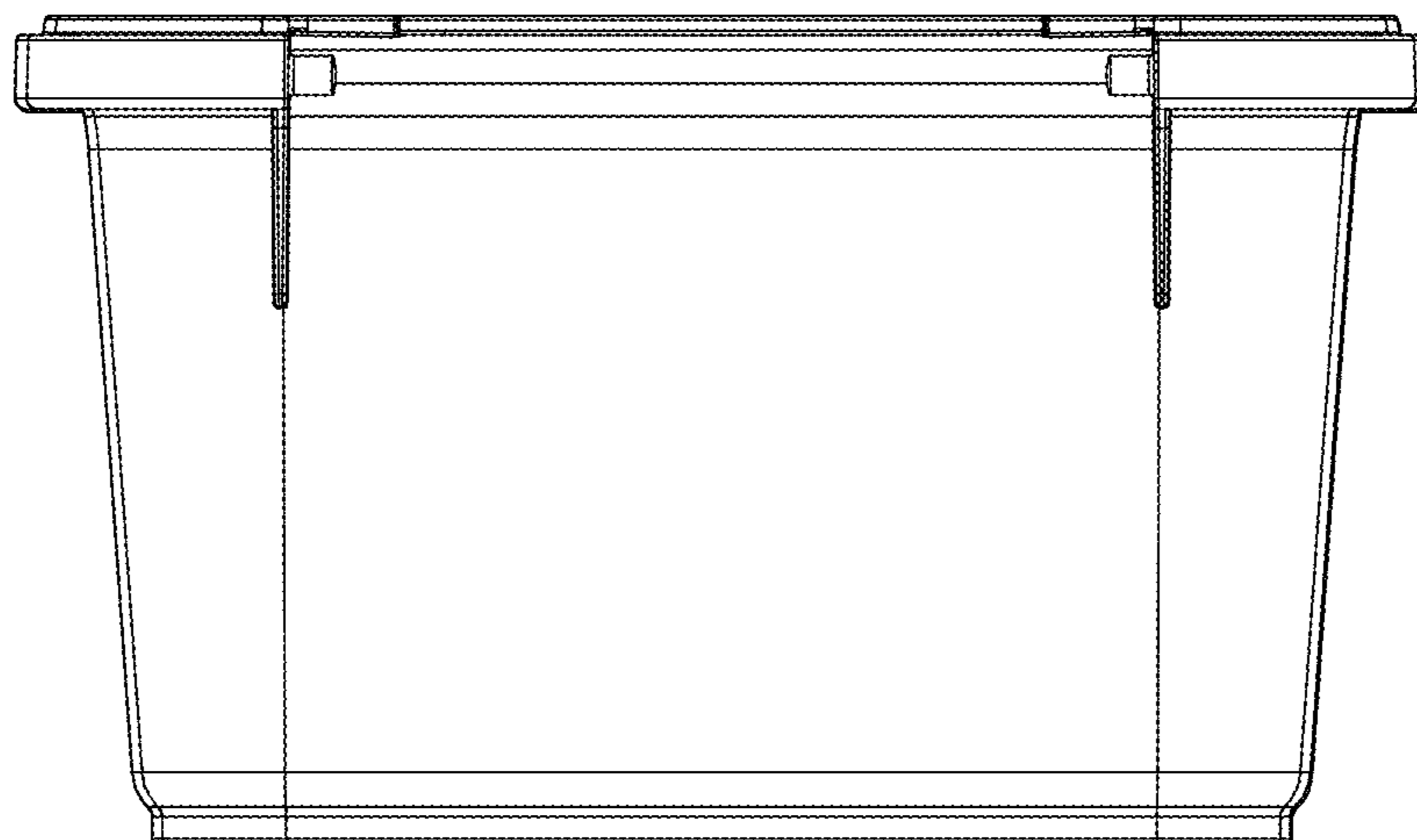


Figure 24