



US00D948965S

(12) **United States Design Patent** (10) **Patent No.:** **US D948,965 S**
Guo (45) **Date of Patent:** **** Apr. 19, 2022**

(54) **STORAGE BOX**
(71) Applicant: **Ze-Bin Guo**, Shantou (CN)
(72) Inventor: **Ze-Bin Guo**, Shantou (CN)
(**) Term: **15 Years**
(21) Appl. No.: **29/666,374**
(22) Filed: **Oct. 12, 2018**
(51) **LOC (13) Cl.** **09-07**
(52) **U.S. Cl.**
USPC **D7/629**
(58) **Field of Classification Search**
USPC D7/602, 609, 629, 630, 701, 703, 391,
D7/392.1, 397; D9/416, 424, 425, 426,
D9/430, 432, 435, 761; D19/102, 106;
D3/201, 203.6, 273
CPC ... B65D 1/26; B65D 1/40; B65D 5/24; B65D
81/34; B65D 81/3453; B65D 2581/34;
B65D 2581/3437
See application file for complete search history.

D801,127 S * 10/2017 Beckman D7/629
D830,790 S * 10/2018 Lee D7/629
D830,791 S * 10/2018 Lee D7/629
D853,179 S * 7/2019 Duvigneau D7/391
D875,465 S * 2/2020 Dai D7/391
D892,571 S * 8/2020 Traub D7/629
D904,134 S * 12/2020 Choi D7/629
2014/0103033 A1* 4/2014 Beckman B65D 43/0212
220/4.01

* cited by examiner

Primary Examiner — Andrew Kerr
(74) *Attorney, Agent, or Firm* — ScienBiziP, P.C.

(57) **CLAIM**

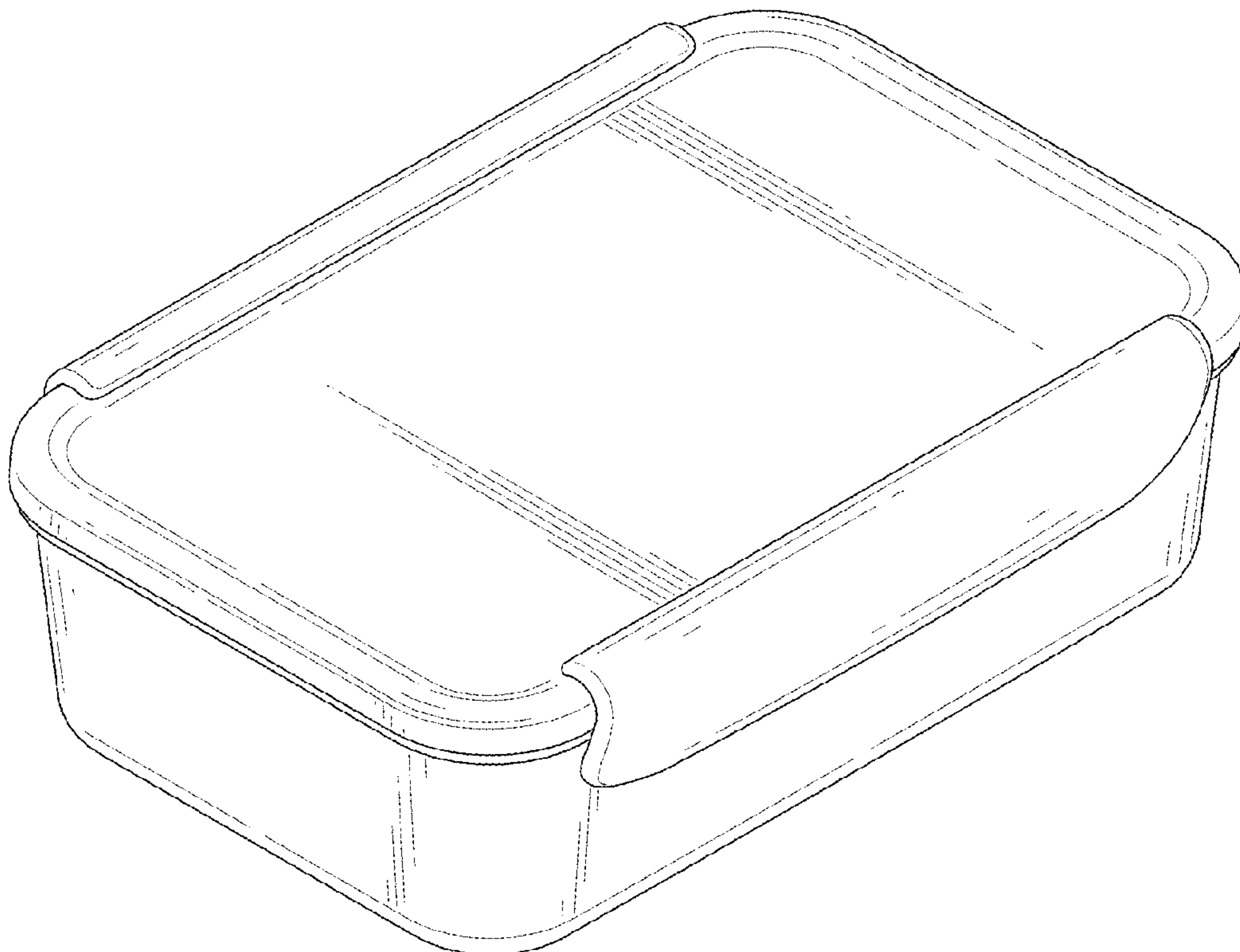
The ornamental design for a storage box, as shown and described.

DESCRIPTION

FIG. 1 is a first perspective view of a storage box showing my new design;
FIG. 2 is a second perspective view thereof;
FIG. 3 is a front elevation view thereof;
FIG. 4 is a rear elevation view thereof;
FIG. 5 is a left side elevation view thereof;
FIG. 6 is a right side elevation view thereof;
FIG. 7 is a top plan view thereof;
FIG. 8 is a bottom plan view thereof; and,
FIG. 9 is an exploded perspective view thereof.
The broken lines in the drawings depict portions of the storage box that form no part of the claimed design.

1 Claim, 9 Drawing Sheets

(56) **References Cited**
U.S. PATENT DOCUMENTS
D418,749 S * 1/2000 Chang D7/602
D657,203 S * 4/2012 Pallotto D7/629
D660,092 S * 5/2012 Kyung D7/629
D722,834 S * 2/2015 Beckman D7/629
D758,805 S * 6/2016 Myoung D7/629
D758,806 S * 6/2016 Morales D7/629
D763,629 S * 8/2016 Swartz D7/629



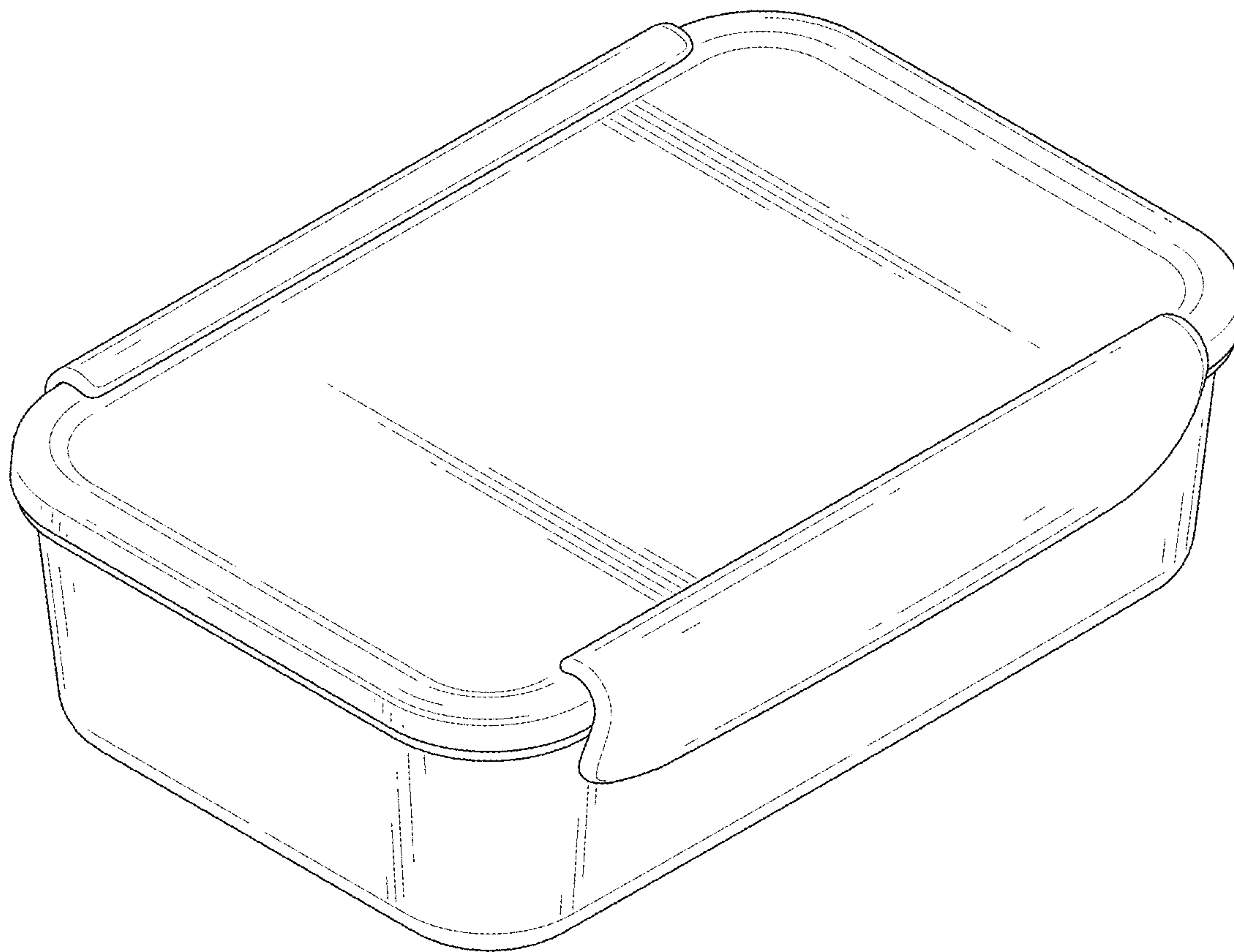


FIG. 1

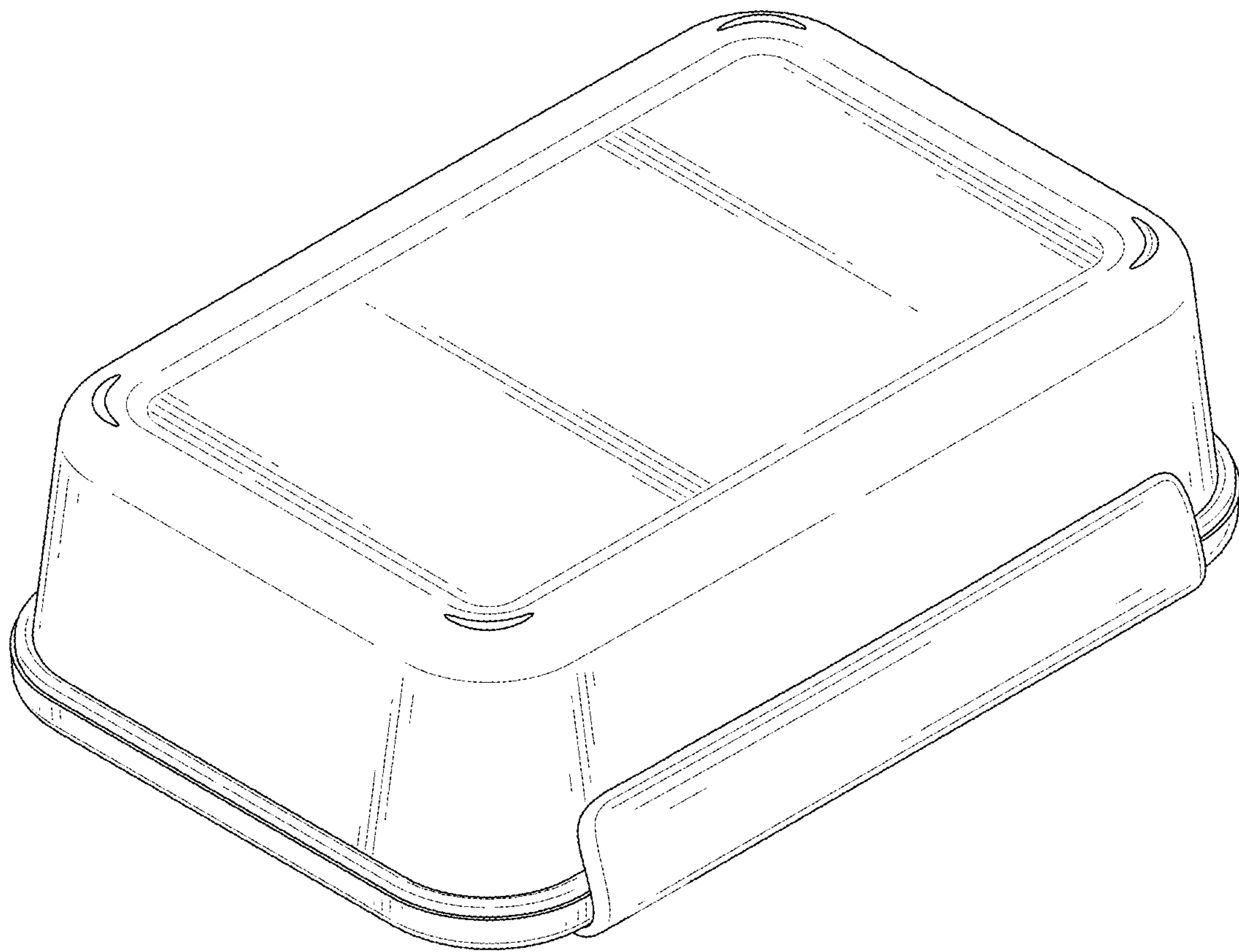


FIG. 2

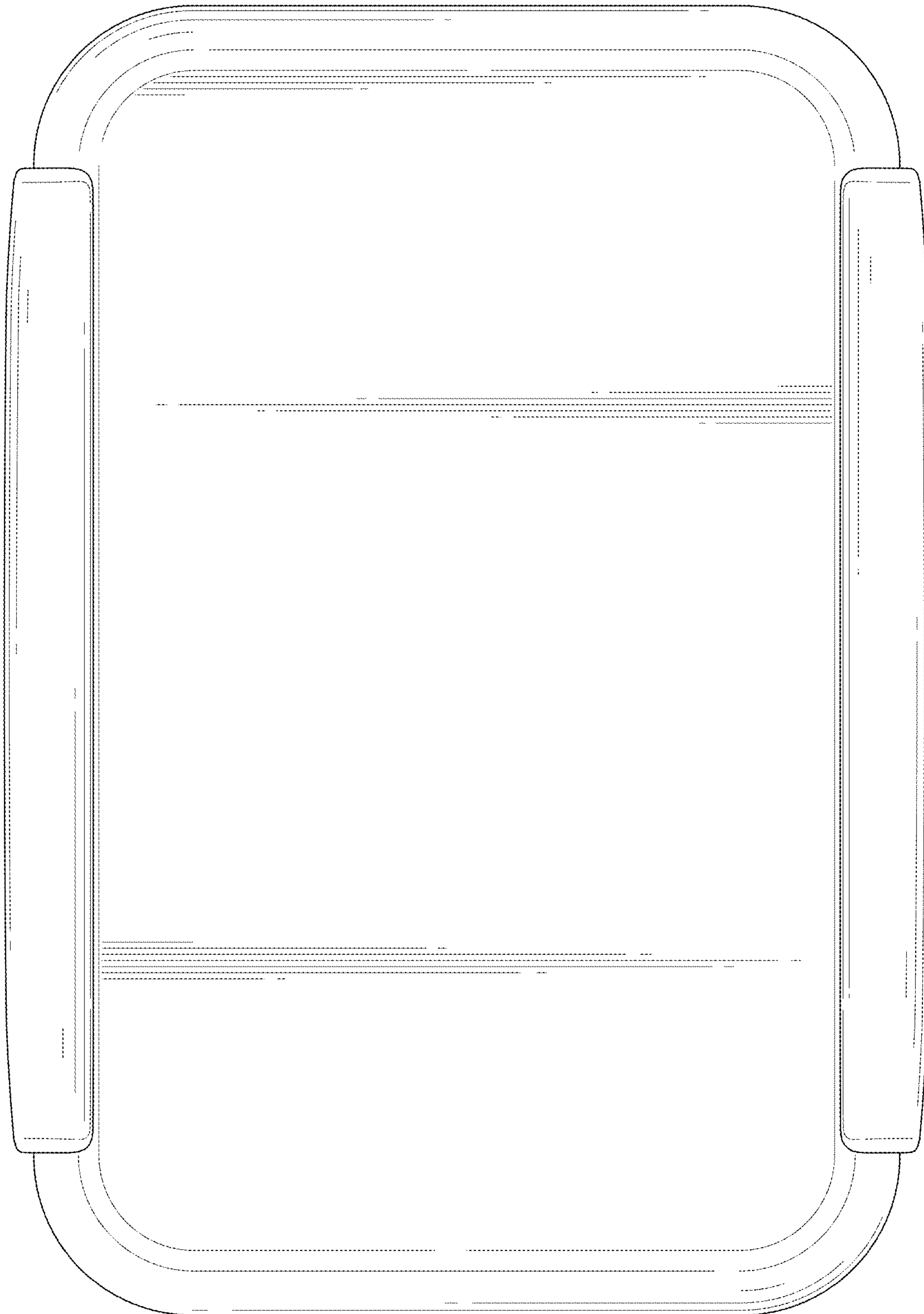


FIG. 3

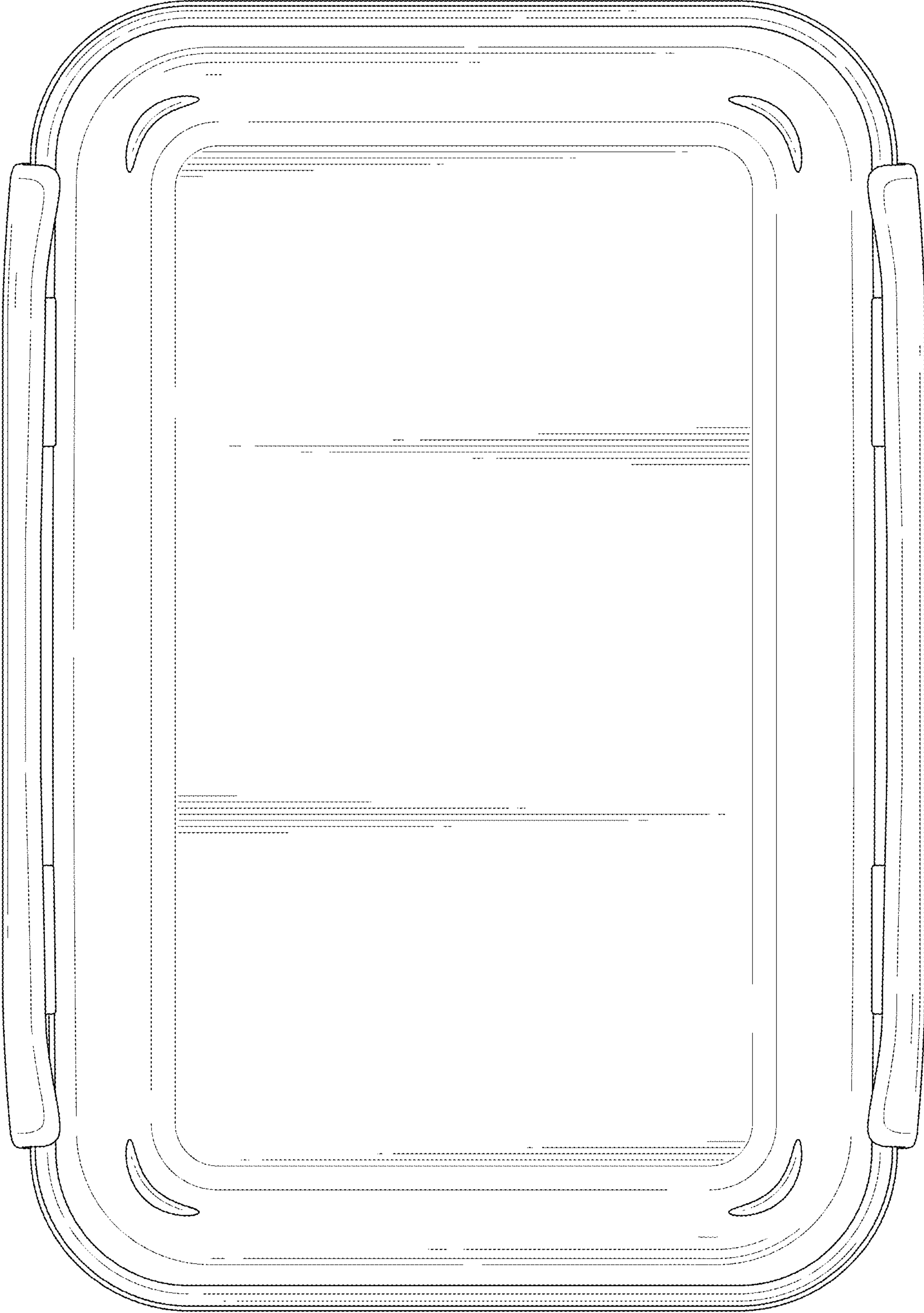


FIG. 4

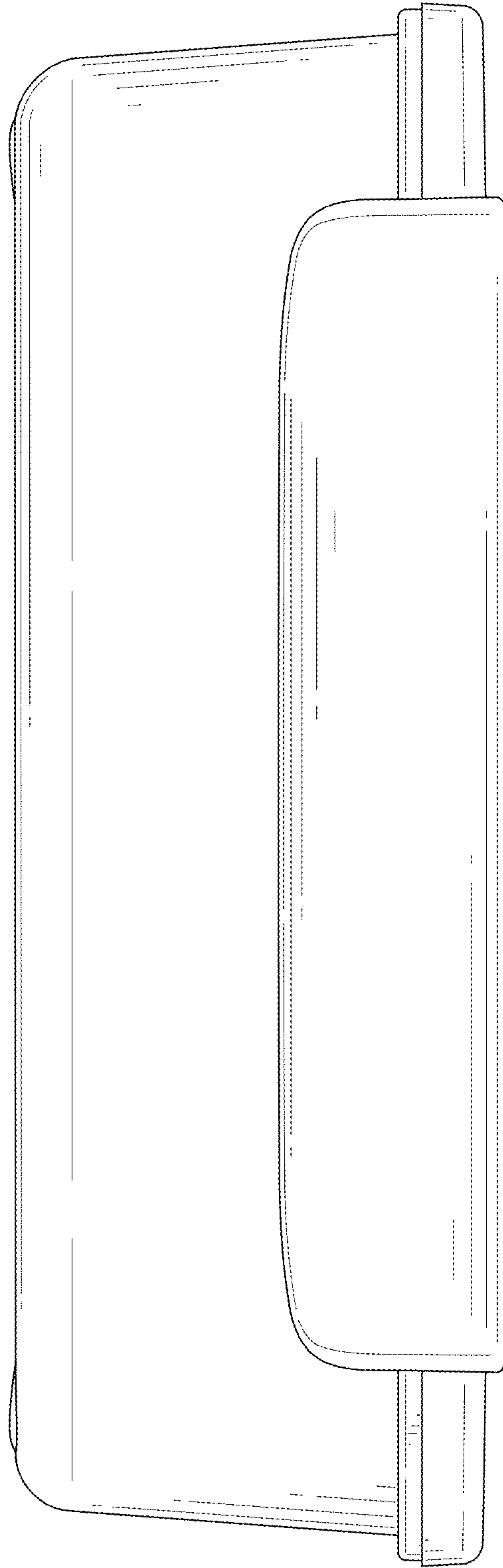


FIG. 5

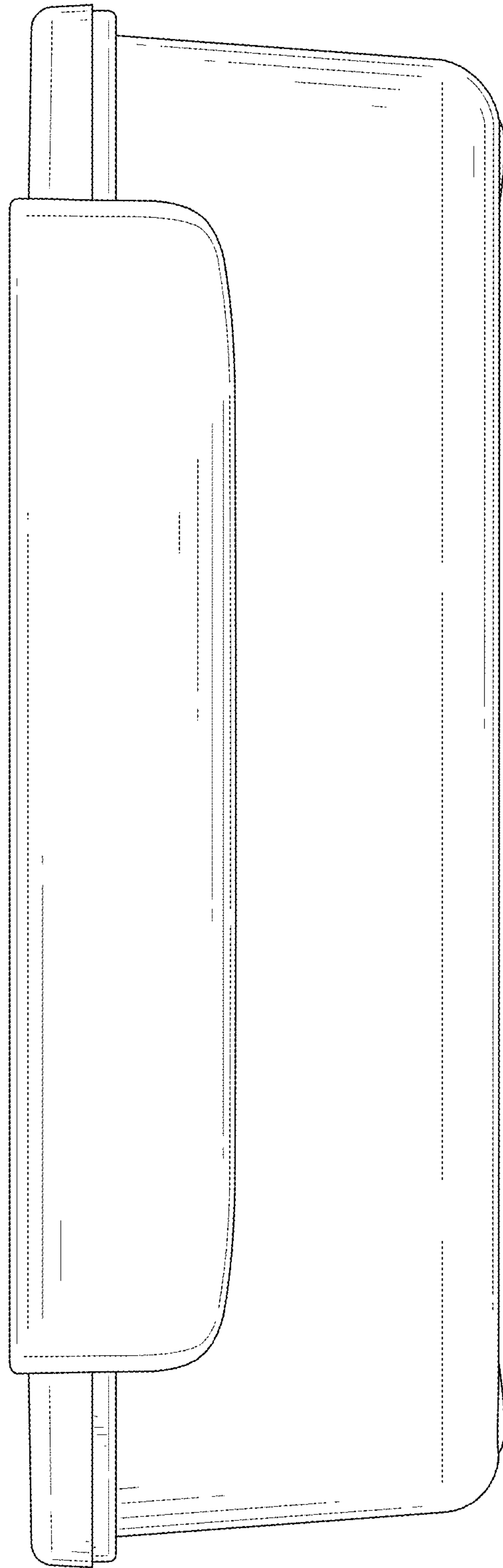


FIG. 6

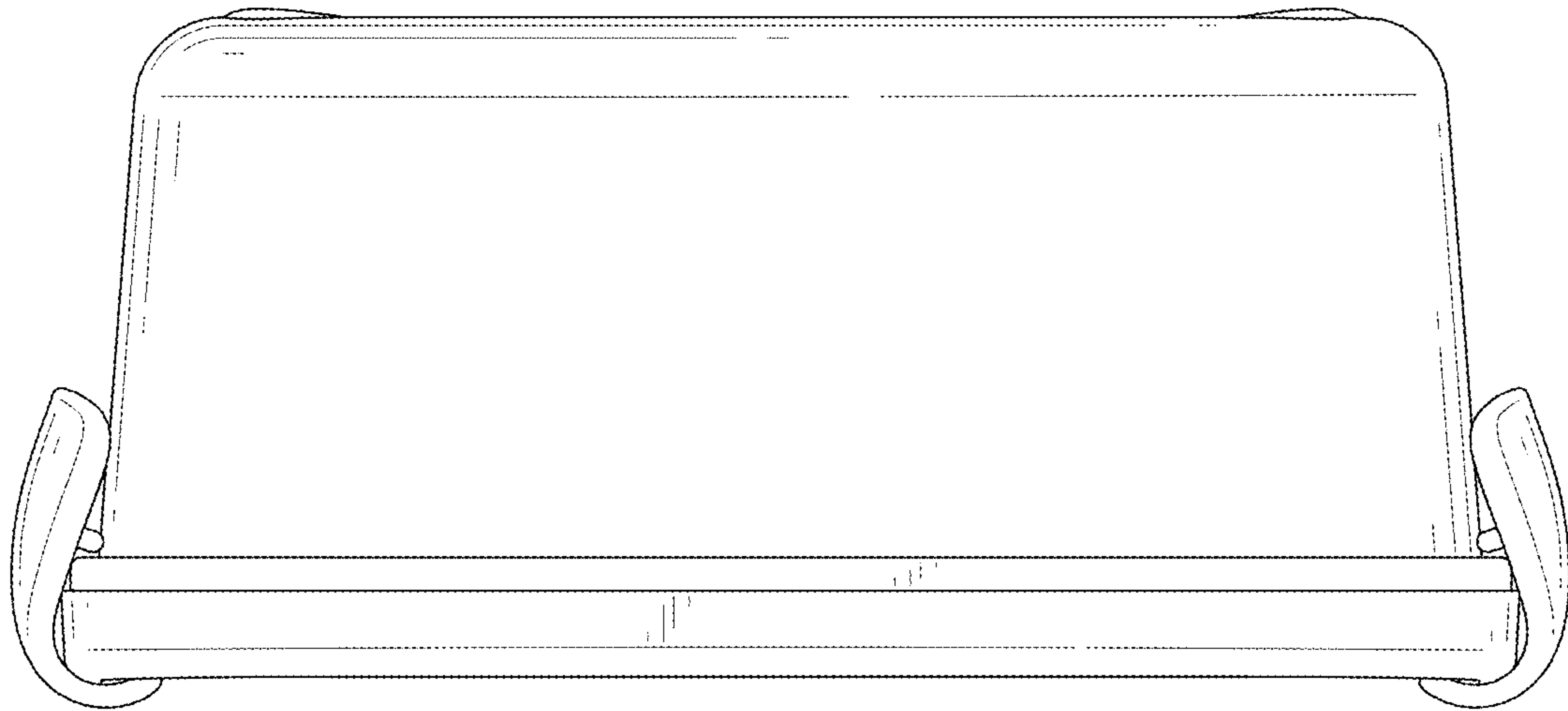


FIG. 7

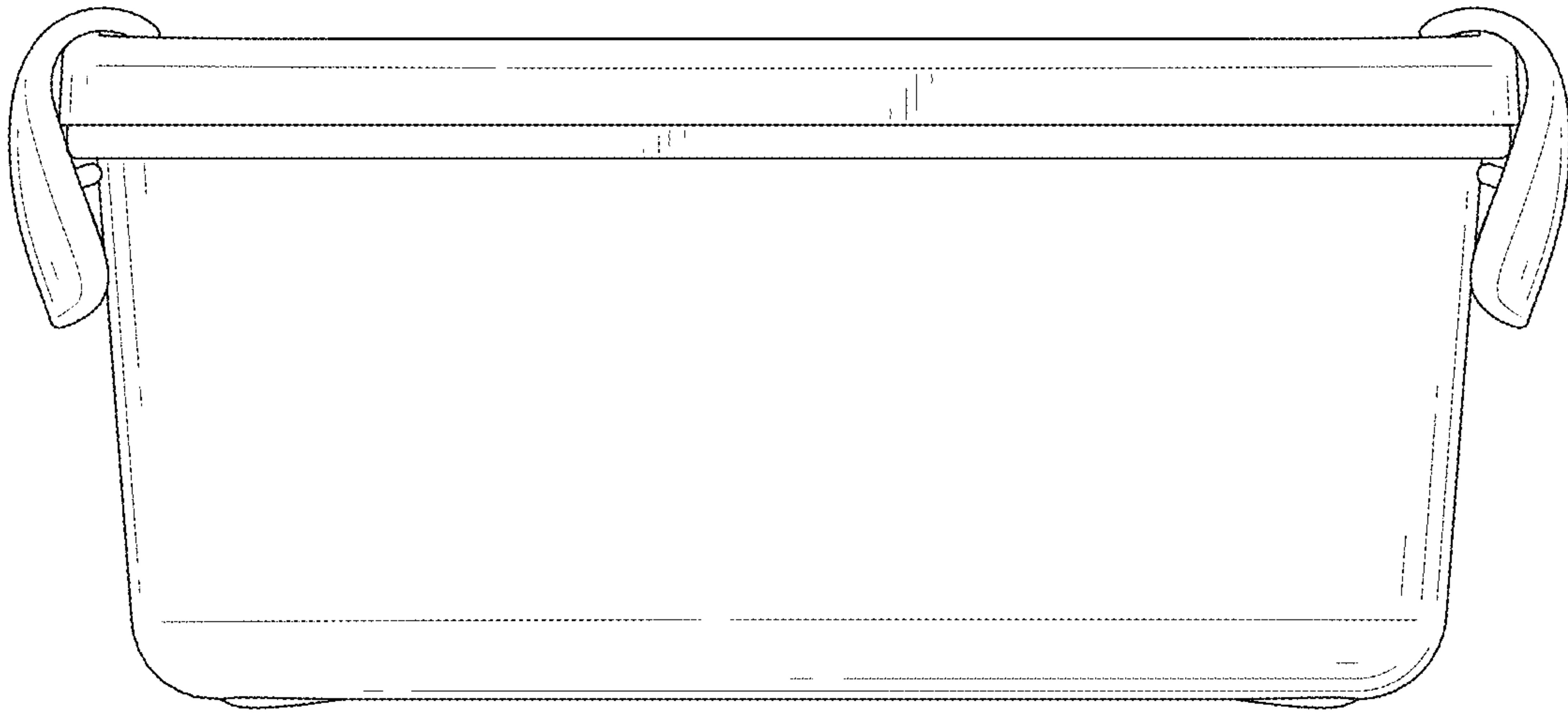


FIG. 8

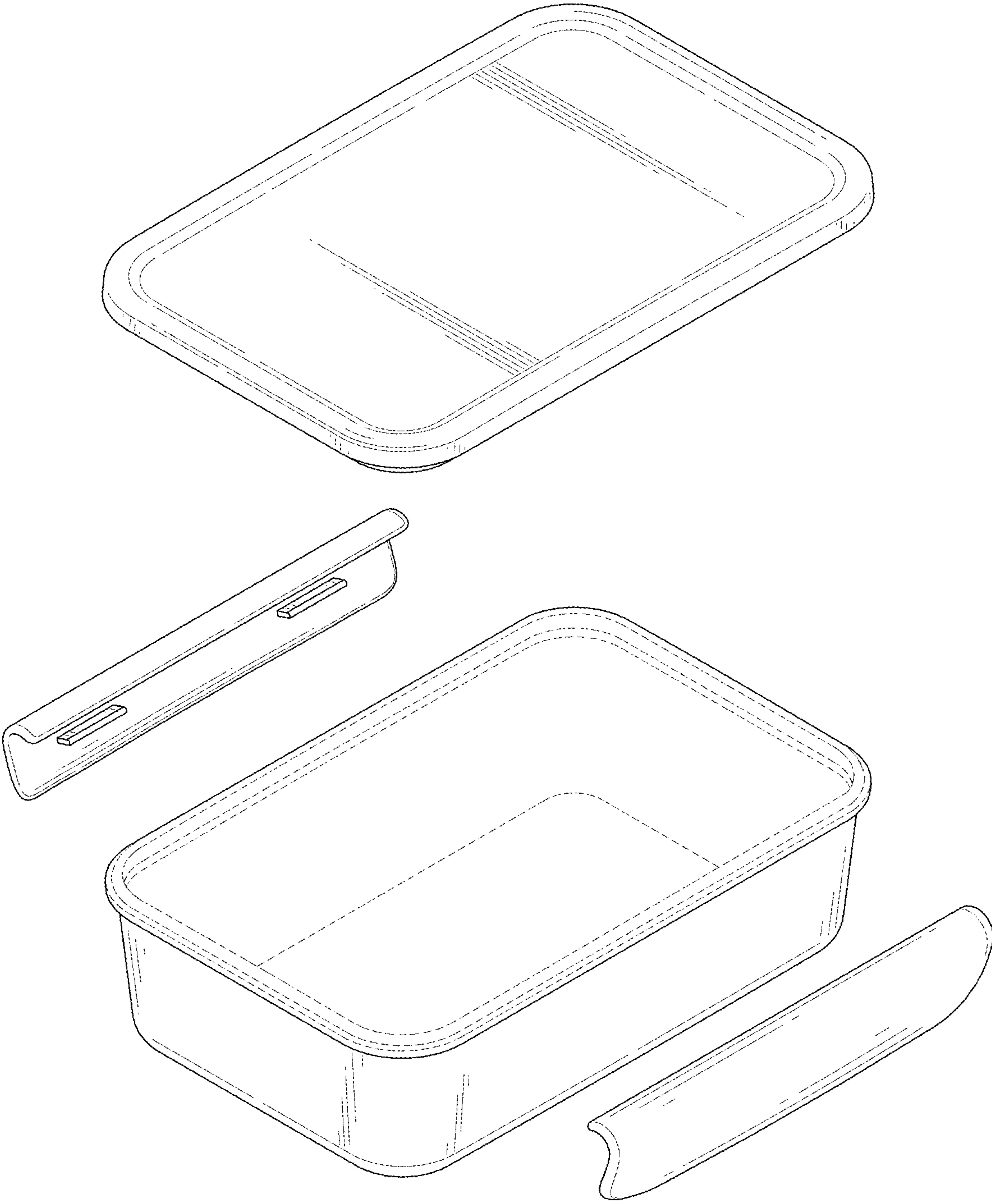


FIG. 9