



US00D948964S

(12) **United States Design Patent**
Lindsay et al.

(10) **Patent No.:** **US D948,964 S**
(45) **Date of Patent:** **** Apr. 19, 2022**

(54) **CONTAINER**
(71) Applicant: **Sistema Plastics Limited**, Auckland (NZ)
(72) Inventors: **Cameron Lindsay**, Auckland (NZ); **Ian Milligan**, Papakura (NZ)
(73) Assignee: **Sistema Plastics Limited**, Auckland (NZ)
(**) Term: **15 Years**
(21) Appl. No.: **29/650,505**
(22) Filed: **Jun. 7, 2018**
(30) **Foreign Application Priority Data**
Dec. 22, 2017 (NZ) 423884
(51) **LOC (13) Cl.** **09-07**
(52) **U.S. Cl.**
USPC **D7/629; D7/630**
(58) **Field of Classification Search**
USPC D7/509-511, 523, 602, 605, 608, 612, D7/615, 619.1, 629, 630, 632; D9/717, D9/719, 502, 549, 551, 556, 559, 447
CPC A47G 19/22; A47G 19/2205; A47G 19/2266; A47J 43/27; B65D 41/04; B65D 43/02; B65D 65/18
See application file for complete search history.

D445,032 S * 7/2001 Hammer D9/504
D563,733 S * 3/2008 Wang D7/603
D605,469 S * 12/2009 Wingfield D7/505
D660,655 S * 5/2012 Wahl D7/629
D664,853 S * 8/2012 Kipry D9/504
D679,550 S * 4/2013 Chapman D7/591
D693,687 S * 11/2013 Karay D9/503
D736,036 S * 8/2015 Dash D7/541
D752,840 S * 3/2016 Smeaton D34/39
D757,494 S * 5/2016 Parker D7/510
D791,587 S * 7/2017 Buck D9/428
D795,688 S * 8/2017 Buck D9/428
D807,119 S * 1/2018 Bell A47G 19/2205
D7/532
D808,227 S * 1/2018 Kolano D7/628
(Continued)

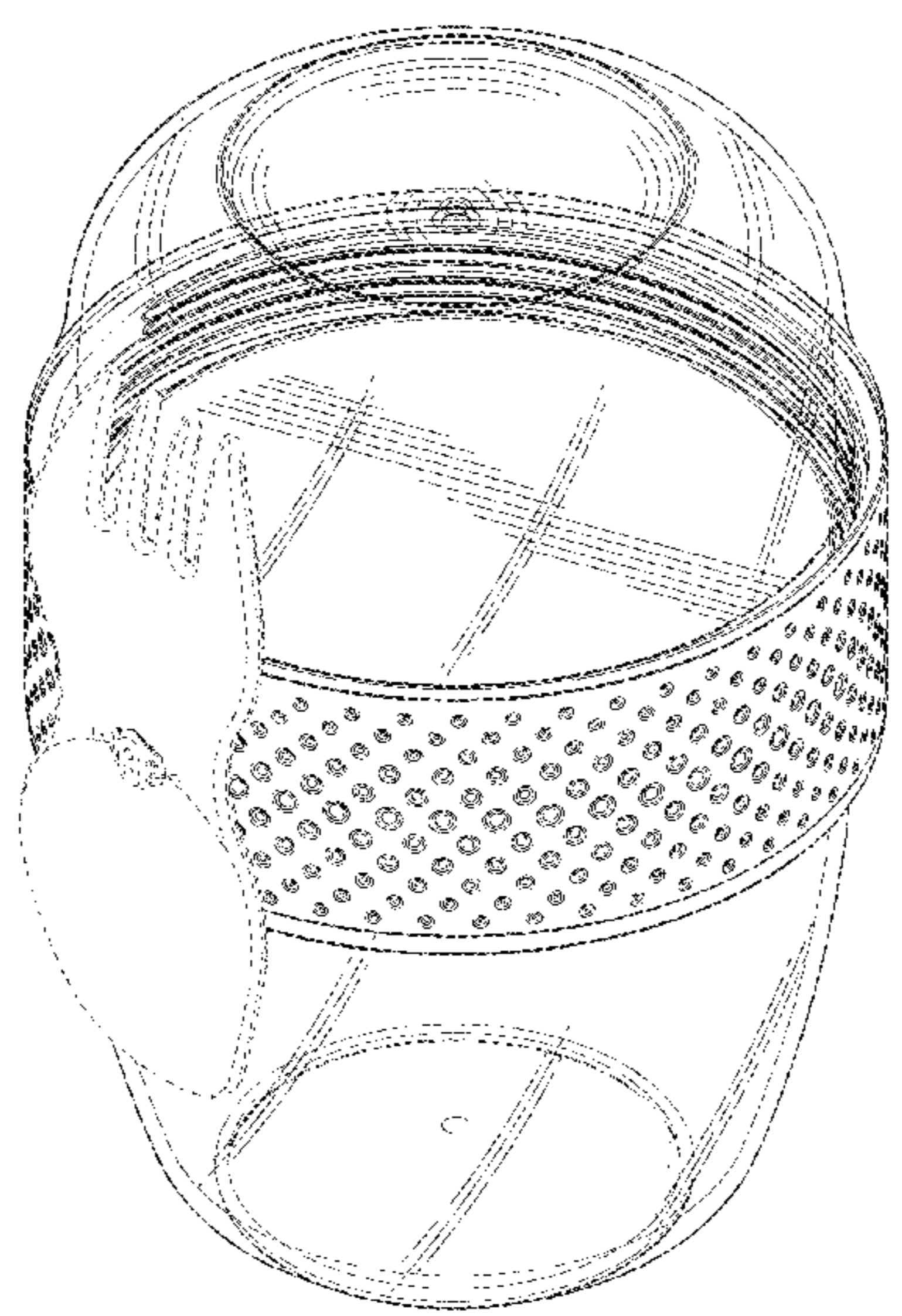
(56) **References Cited**
U.S. PATENT DOCUMENTS
D269,463 S * 6/1983 Young D24/110
D272,223 S * 1/1984 Daenen D7/629
5,251,774 A * 10/1993 Engle A47G 19/186
215/228
D432,367 S * 10/2000 Segura D7/608
6,196,406 B1 * 3/2001 Ennis B65D 71/02
206/501
D442,834 S * 5/2001 Perez D7/628

OTHER PUBLICATIONS
Sistema Plastics, 305ml Yogurt Max, Nov. 27, 2013, available at <https://sistemaplastics.com/products/to-go/305ml-yogurt-max1>, accessed Aug. 16, 2018, 1 pages.
Primary Examiner — Andrew Kerr
(74) *Attorney, Agent, or Firm* — McCarter & English, LLP

(57) **CLAIM**
The ornamental design for a container, as shown and described.

DESCRIPTION
FIG. 1 is a top front perspective view of a container, showing our new design;
FIG. 2 is a left side view of the container of FIG. 1;
FIG. 3 is a right side view of the container of FIG. 1;
FIG. 4 is a front view of the container of FIG. 1;
FIG. 5 is a rear view of the container of FIG. 1;
FIG. 6 is a top view of the container of FIG. 1; and,
FIG. 7 is a bottom view of the container of FIG. 1.
The broken lines in the drawings depict portions of the container that form no part of the claimed design.

1 Claim, 6 Drawing Sheets



(56)

References Cited

U.S. PATENT DOCUMENTS

D809,914 S * 2/2018 Weernink D9/503
D858,297 S * 9/2019 Cortadellas D9/575
D862,989 S * 10/2019 Lee D7/596
11,008,142 B2 * 5/2021 Pietraniec B65D 51/20

* cited by examiner

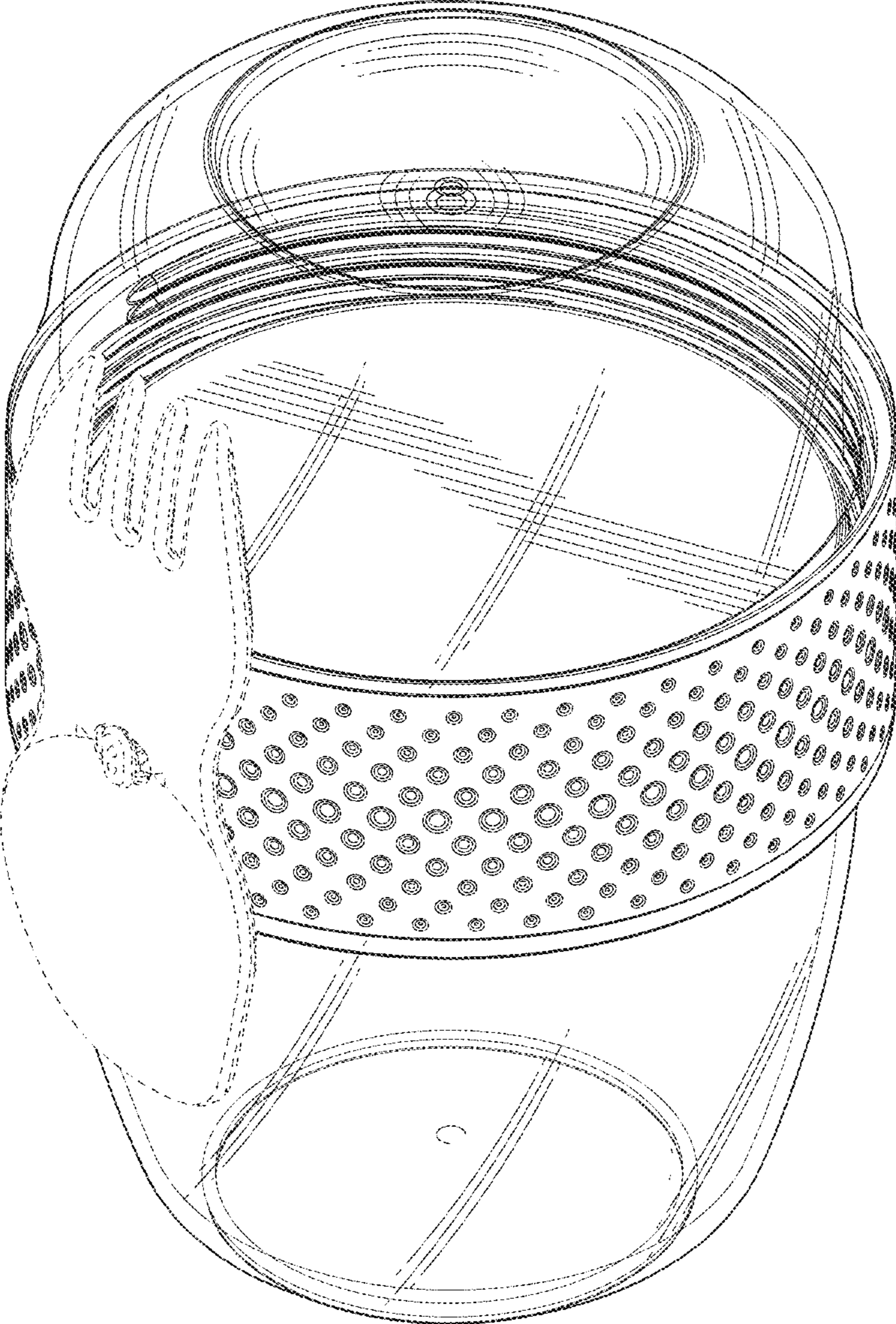


FIG. 1

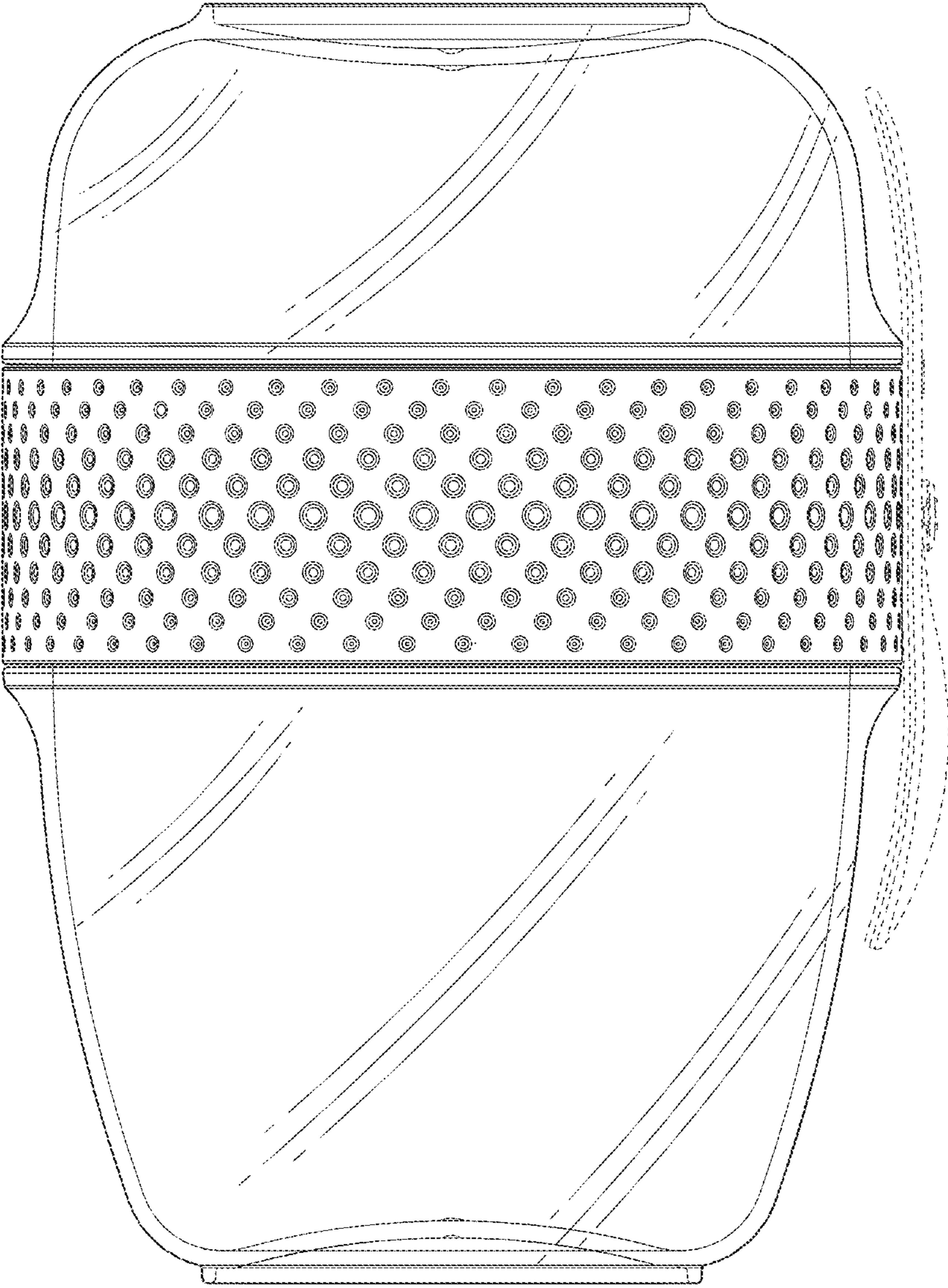


FIG. 2

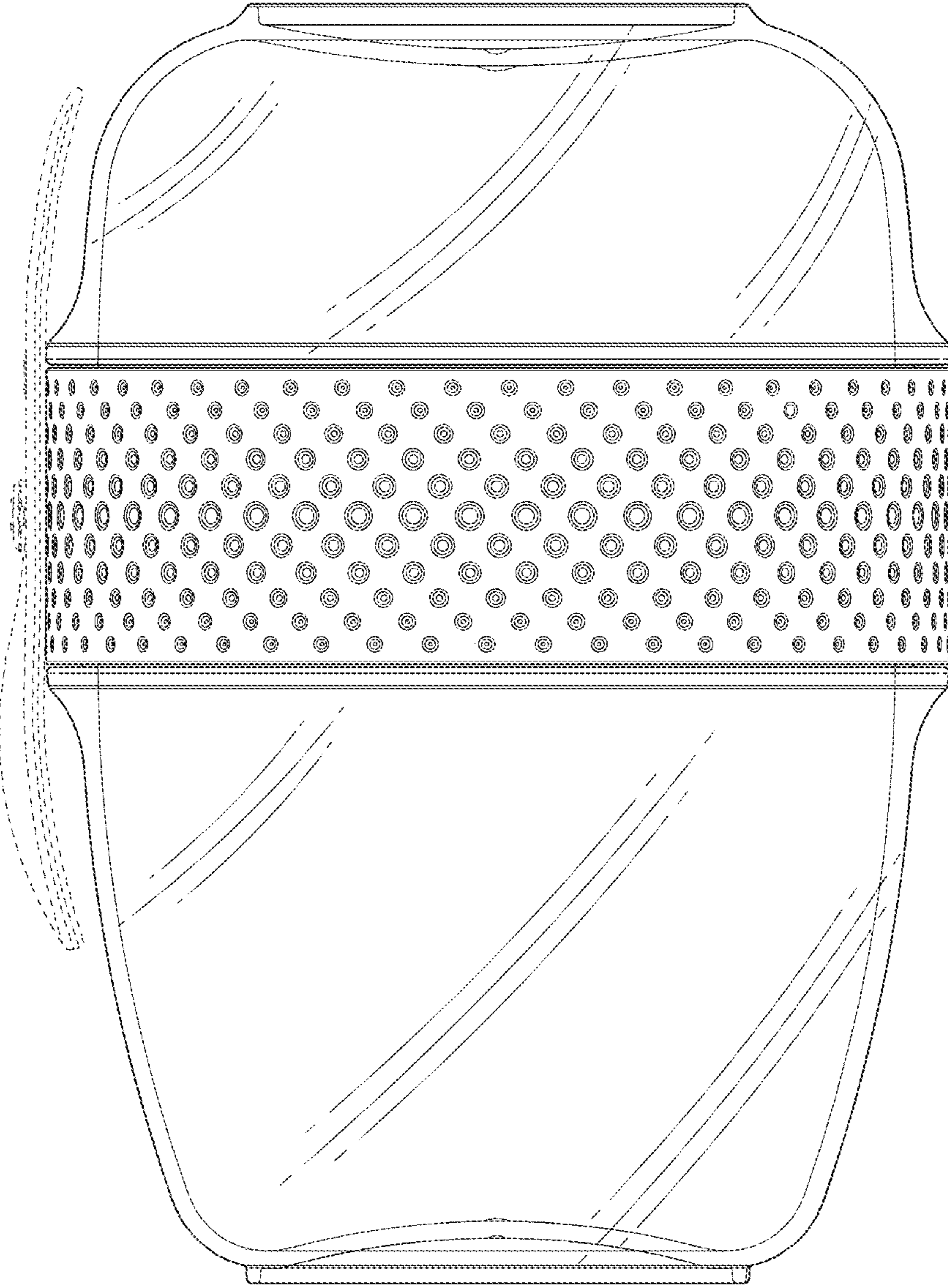


FIG. 3

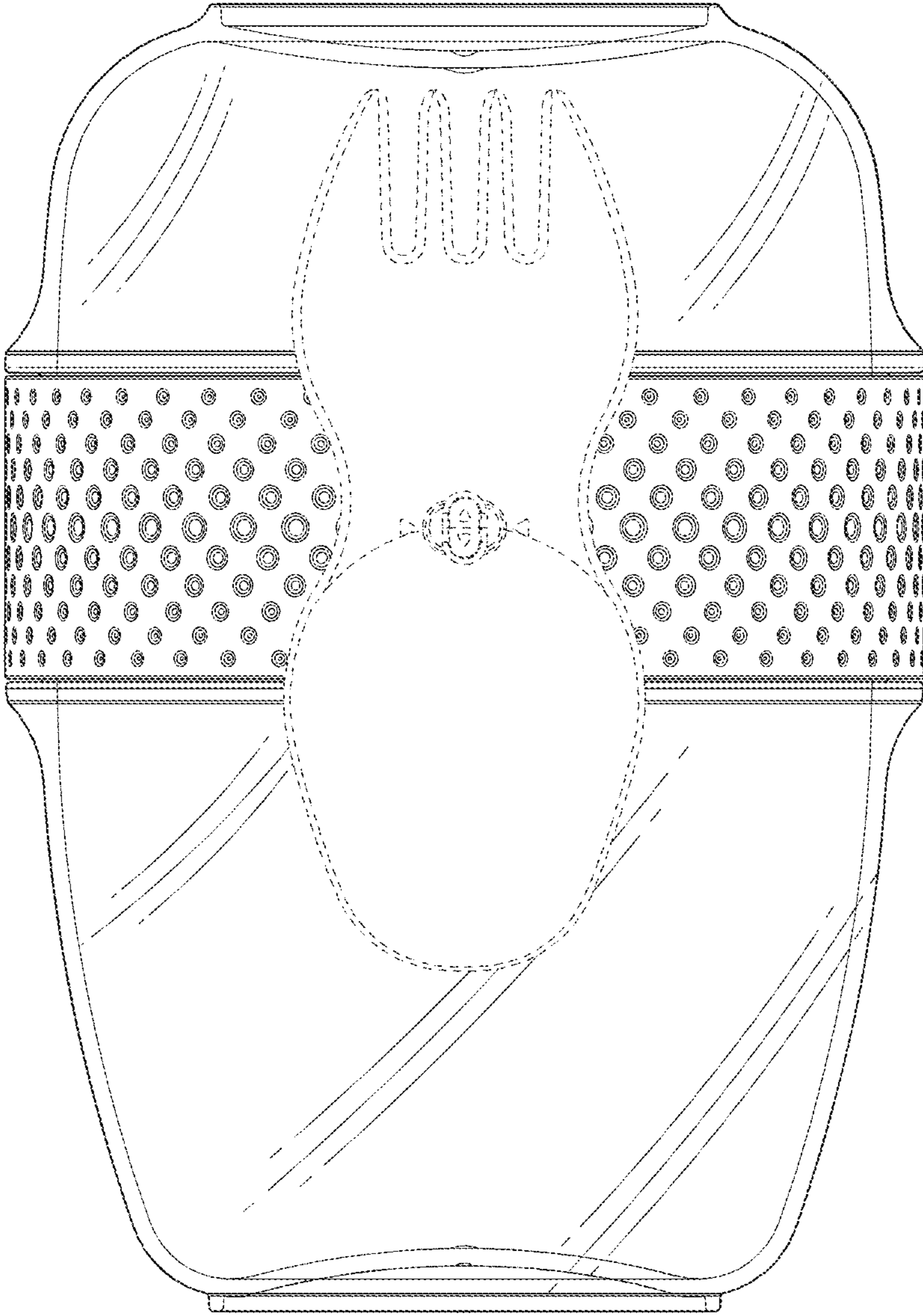


FIG. 4

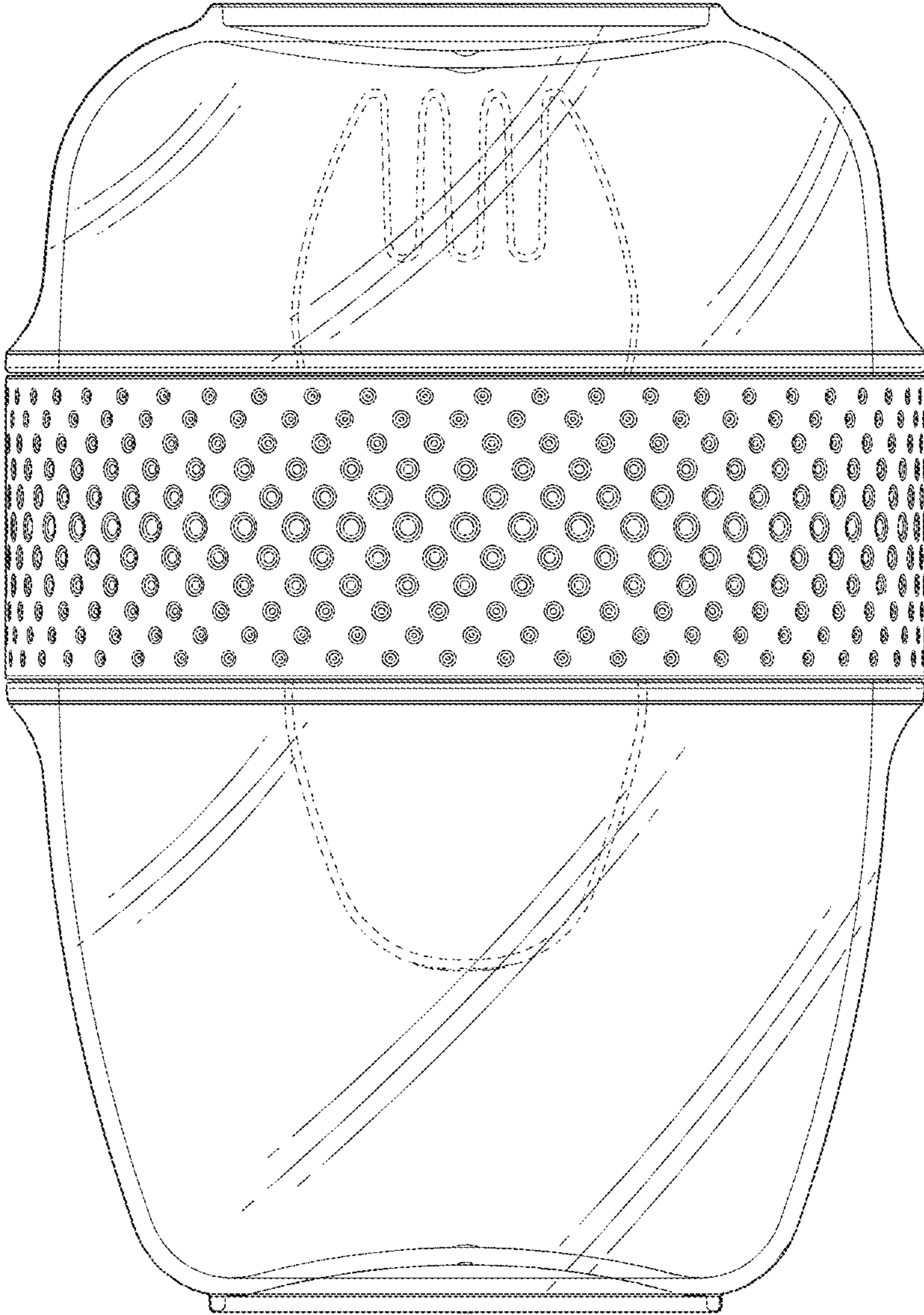


FIG. 5

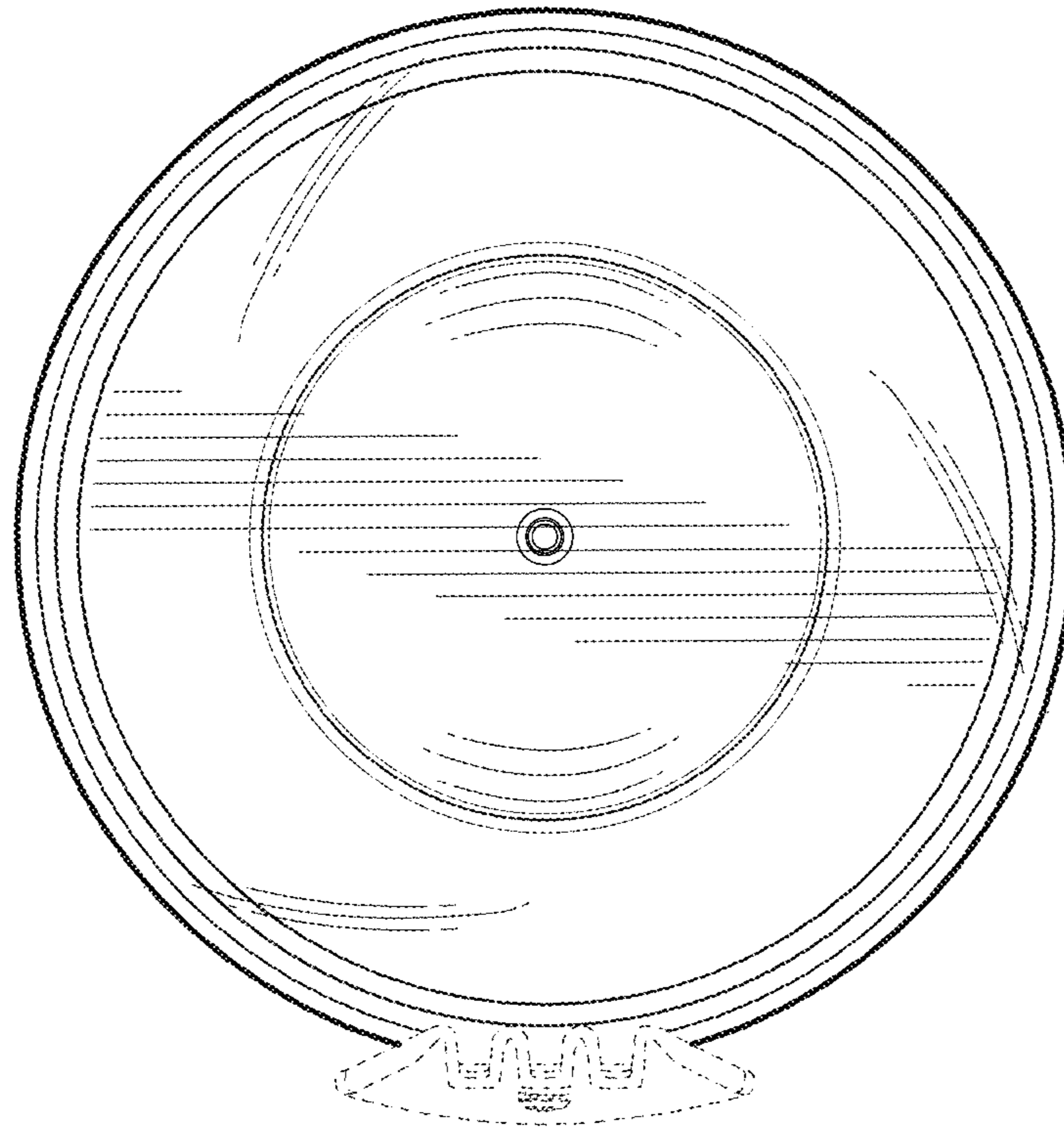


FIG. 6

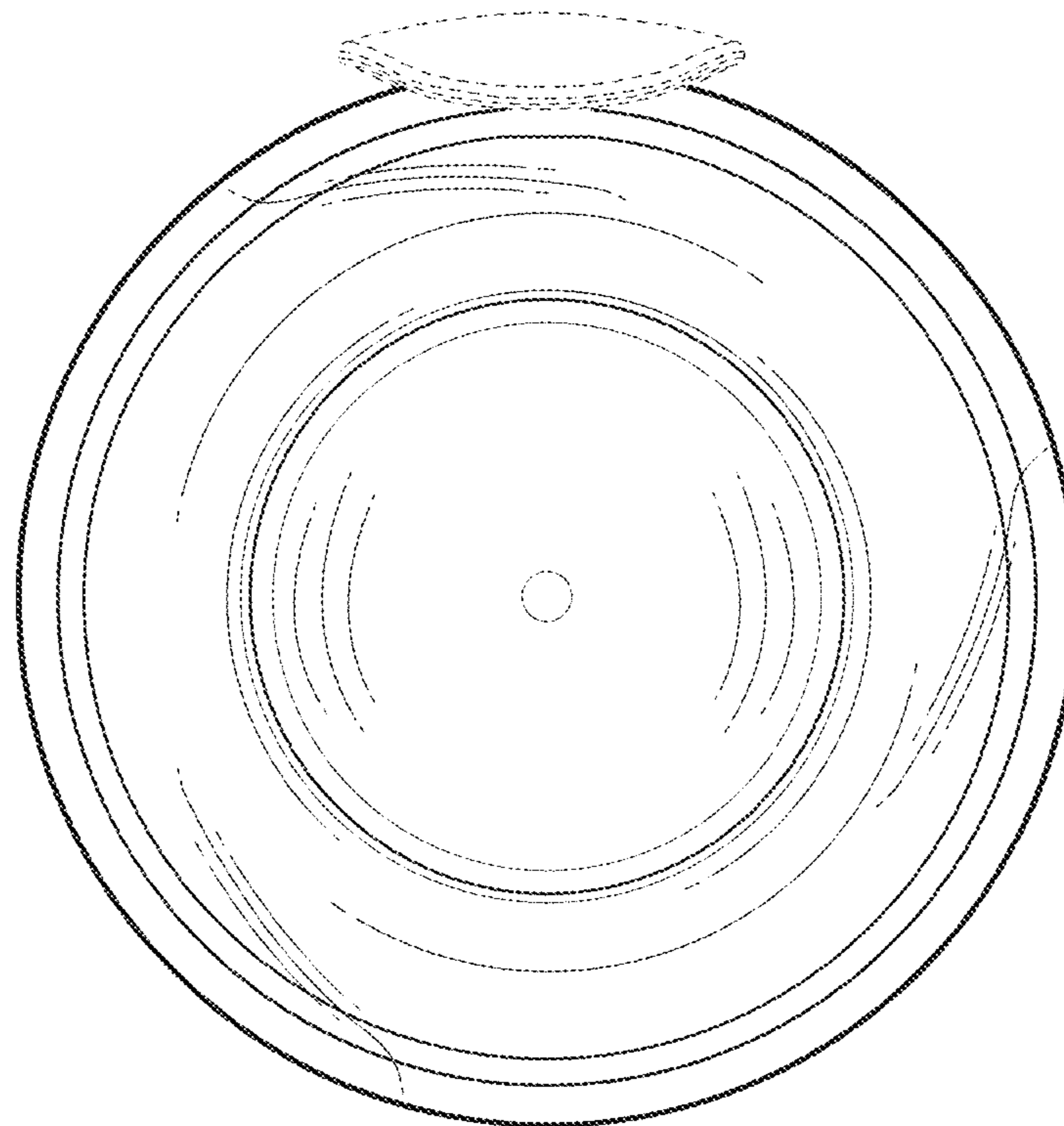


FIG. 7