



US00D948963S

(12) **United States Design Patent** (10) **Patent No.:** **US D948,963 S**  
**McGee, Jr. et al.** (45) **Date of Patent:** **\*\* Apr. 19, 2022**

(54) **DRINKING VESSEL STAND**  
(71) Applicant: **SAMIAM GROUP, LLC**, Hartford, CT (US)  
(72) Inventors: **Samuel McGee, Jr.**, Hartford, CT (US); **Derrick Johnson**, Avon, CT (US); **Ignacio Lopez**, Barcelona (ES)  
(73) Assignee: **SAMIAM GROUP, LLC**, Hartford, CT (US)  
(\*\*) Term: **15 Years**  
(21) Appl. No.: **29/688,486**  
(22) Filed: **Apr. 22, 2019**  
(51) **LOC (13) Cl.** ..... **09-07**  
(52) **U.S. Cl.**  
USPC ..... **D7/628**  
(58) **Field of Classification Search**  
USPC ..... D7/602, 628; D21/698, 715, 717, 718; D11/157  
CPC ..... A63B 57/20; A63B 69/002; A63B 47/00; A63D 69/0075  
See application file for complete search history.

(56) **References Cited**  
U.S. PATENT DOCUMENTS  
5,386,987 A \* 2/1995 Rodino, Jr. .... A63B 69/0075 473/417  
5,613,678 A \* 3/1997 McKee ..... A63B 57/10 473/397  
D509,551 S \* 9/2005 Reynolds ..... D21/715  
D513,294 S \* 12/2005 deGrasse ..... D21/717  
D665,862 S \* 8/2012 Nunez ..... D21/715  
D694,150 S \* 11/2013 Jennings ..... D11/157  
D755,573 S 5/2016 Consolatore  
D808,724 S \* 1/2018 Haws ..... D7/515

D810,214 S \* 2/2018 Su ..... D21/717  
2016/0107059 A1\* 4/2016 Brossman ..... A63B 69/0075 473/417  
2016/0332055 A1\* 11/2016 Su ..... A63B 69/0075

**FOREIGN PATENT DOCUMENTS**

JP 1372385 10/2009  
\* cited by examiner

*Primary Examiner* — Andrew Kerr  
(74) *Attorney, Agent, or Firm* — Banner & Witcoff, Ltd.

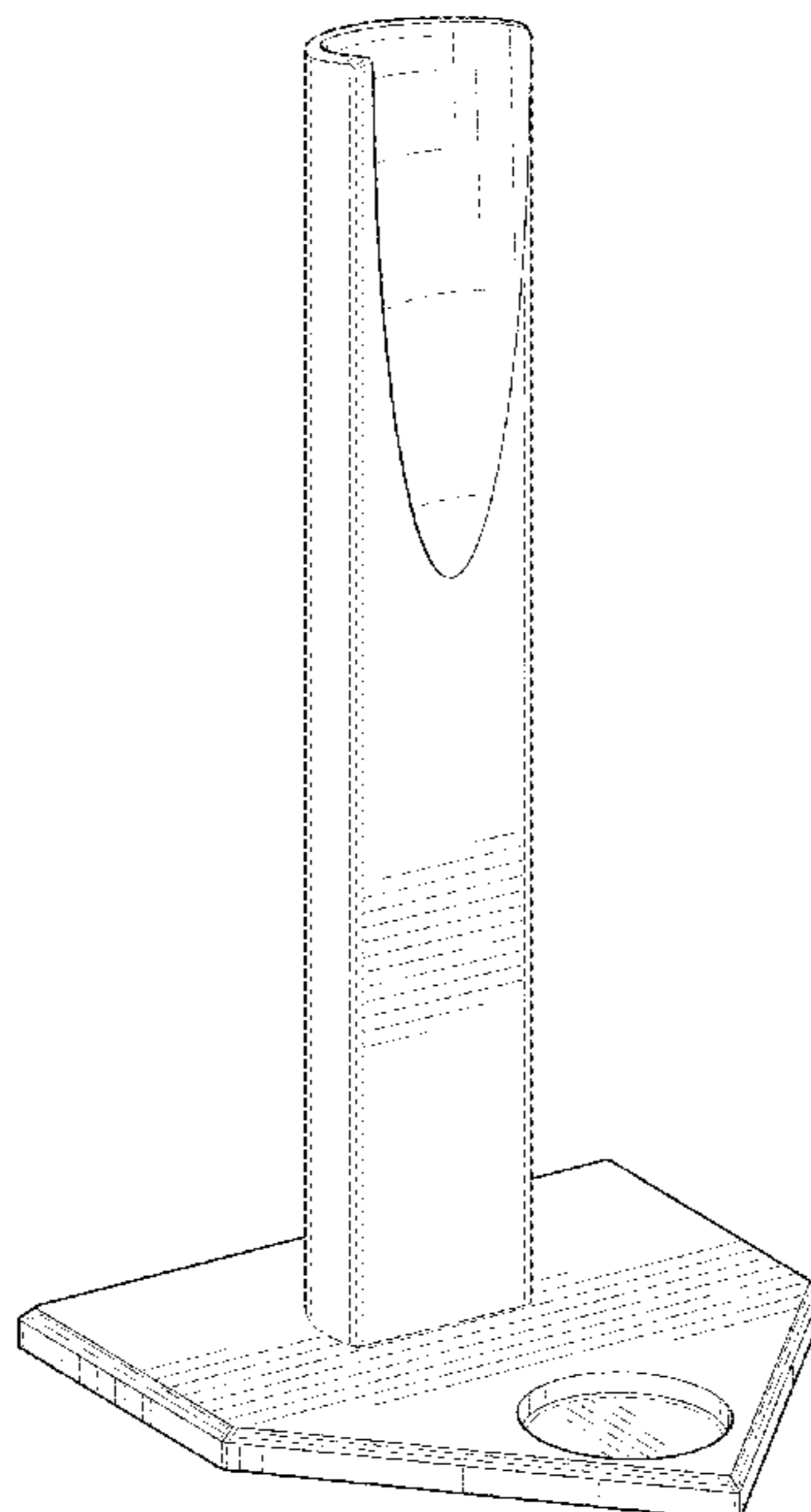
(57) **CLAIM**

The ornamental design for a drinking vessel stand, as shown and described.

**DESCRIPTION**

FIG. 1 is a front perspective view of a drinking vessel stand, showing our new design;  
FIG. 2 is a front view thereof;  
FIG. 3 is a rear view thereof;  
FIG. 4 is a left side view thereof;  
FIG. 5 is a right side view thereof;  
FIG. 6 is a top view thereof;  
FIG. 7 is a bottom view thereof;  
FIG. 8 is a front perspective view thereof, in a condition of use;  
FIG. 9 is a front view thereof;  
FIG. 10 is a rear view thereof;  
FIG. 11 is a left side view thereof;  
FIG. 12 is a right side view thereof;  
FIG. 13 is a top view thereof; and,  
FIG. 14 is a bottom view thereof.  
The broken lines depicting the bottom surface in FIGS. 7 and 14 and the drinking vessel in FIGS. 8-13 show features that form no part of the claimed design.

**1 Claim, 12 Drawing Sheets**



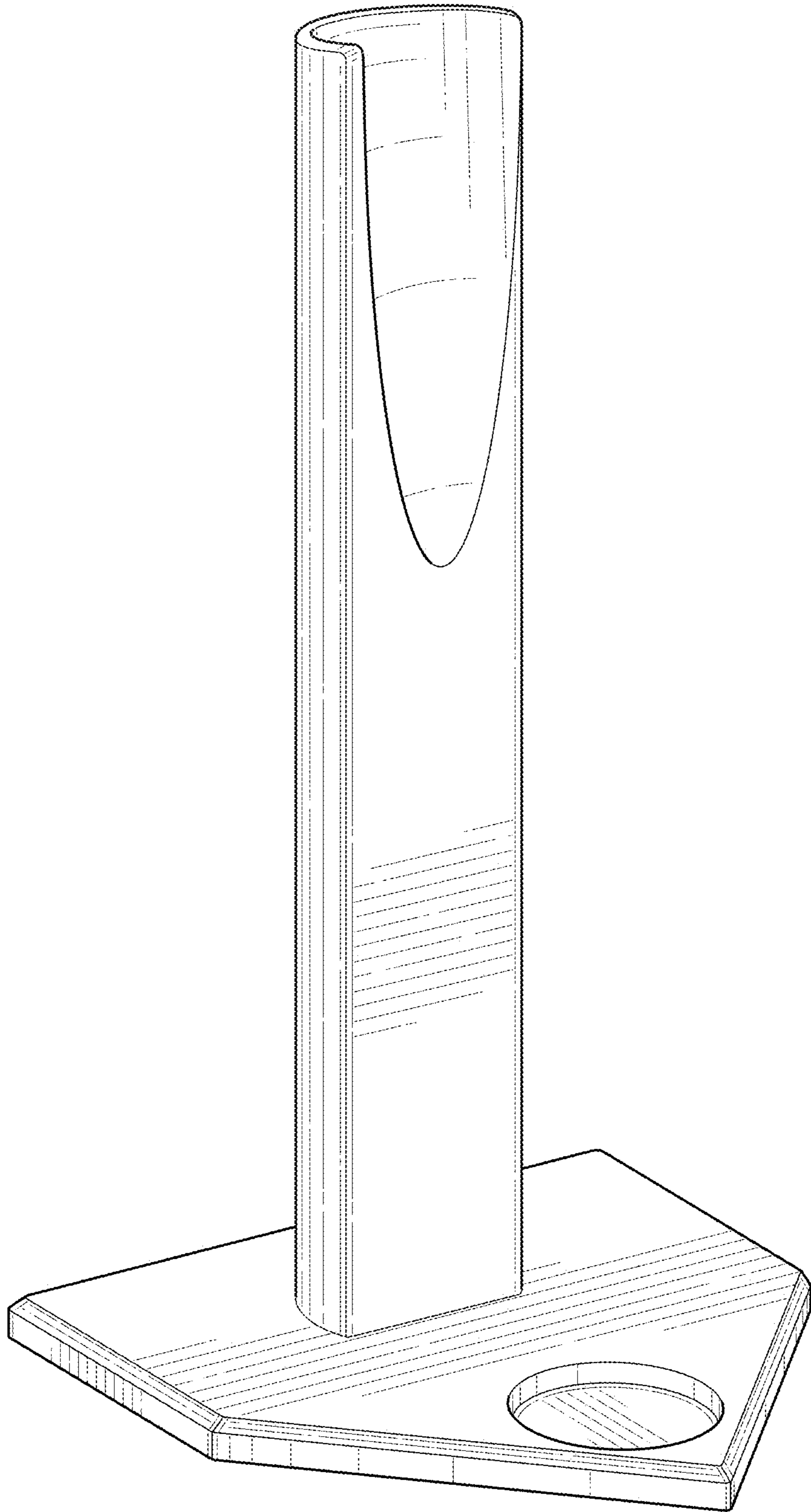


FIG. 1

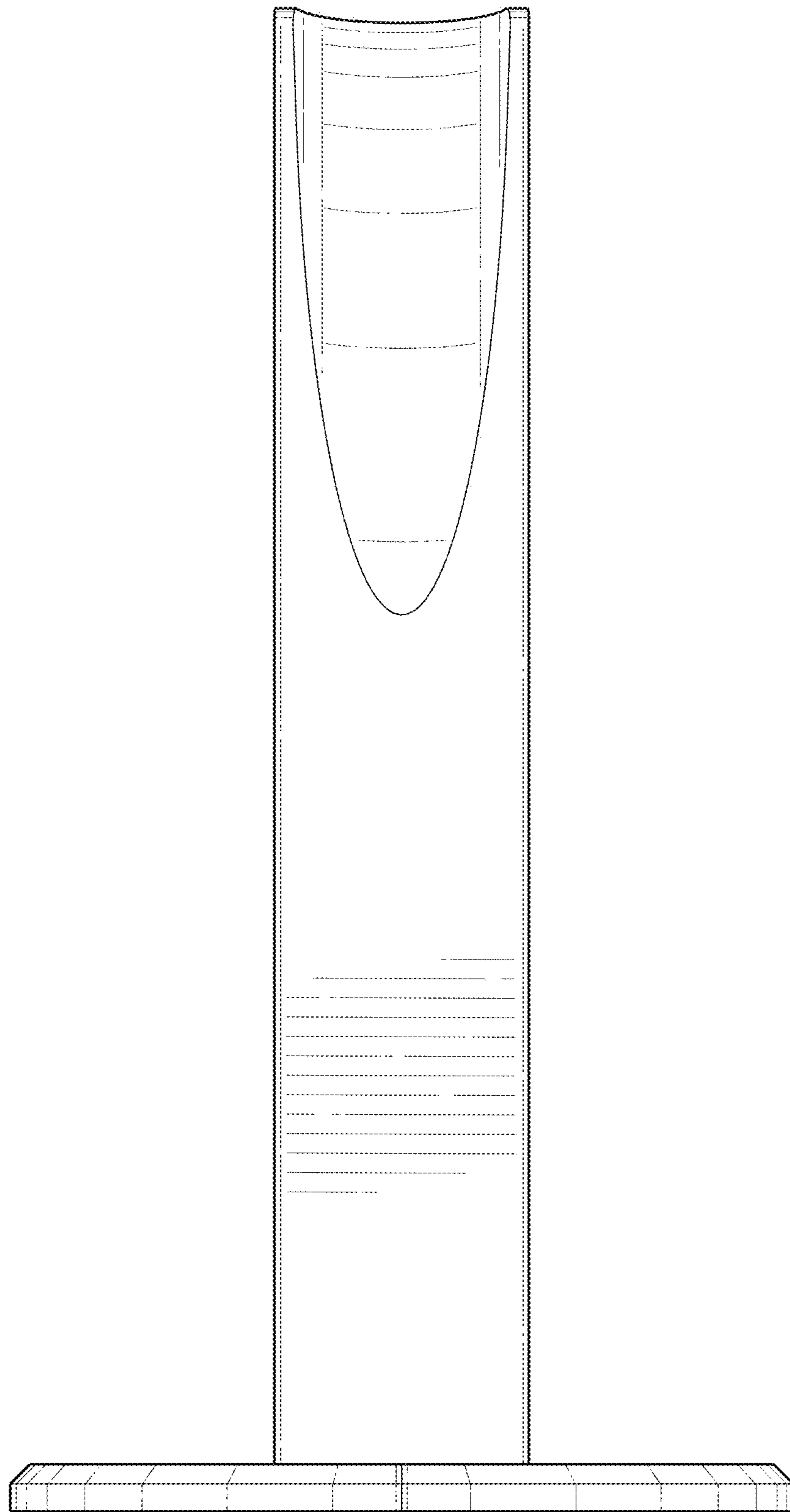
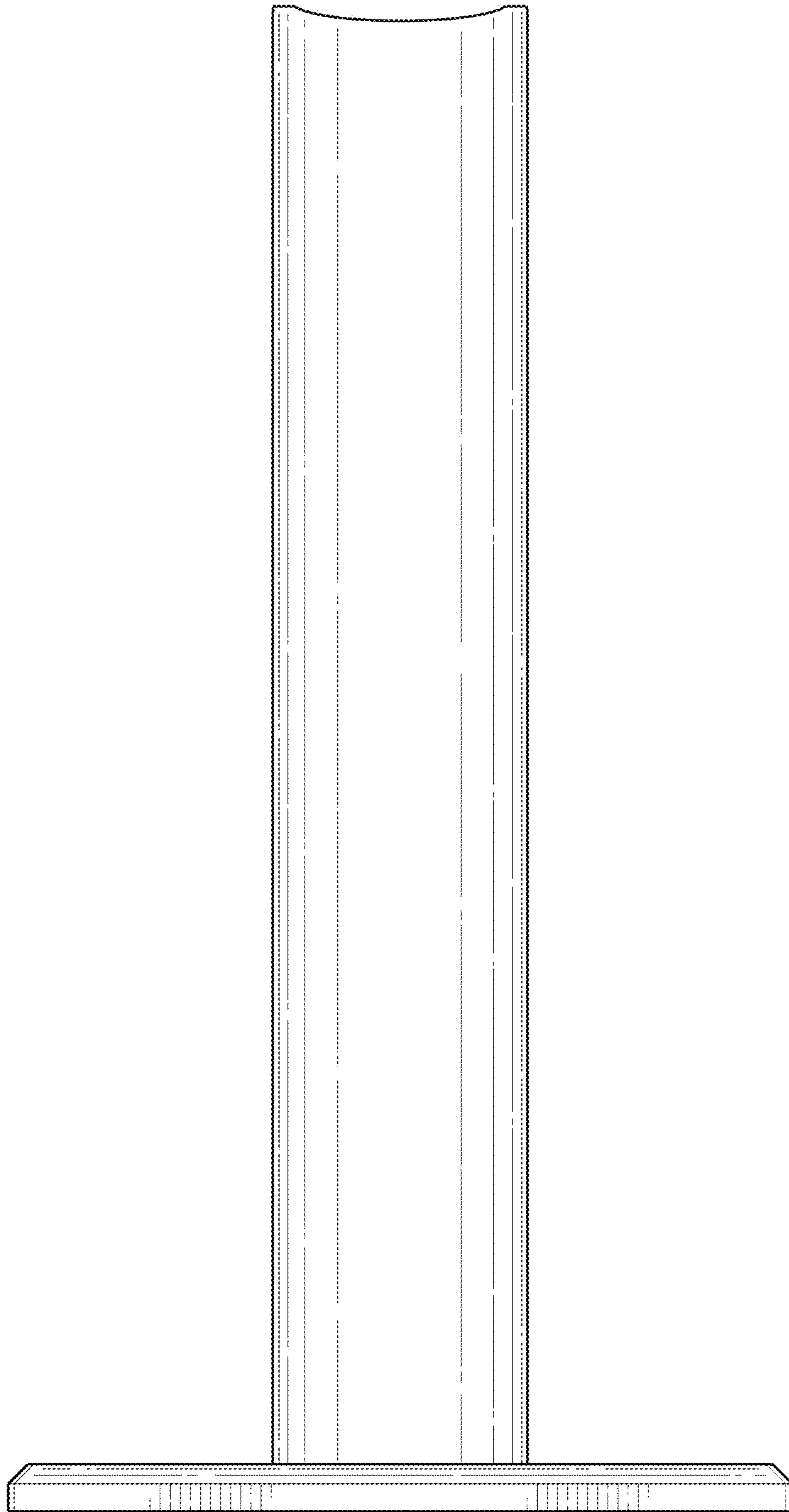


FIG. 2



**FIG. 3**

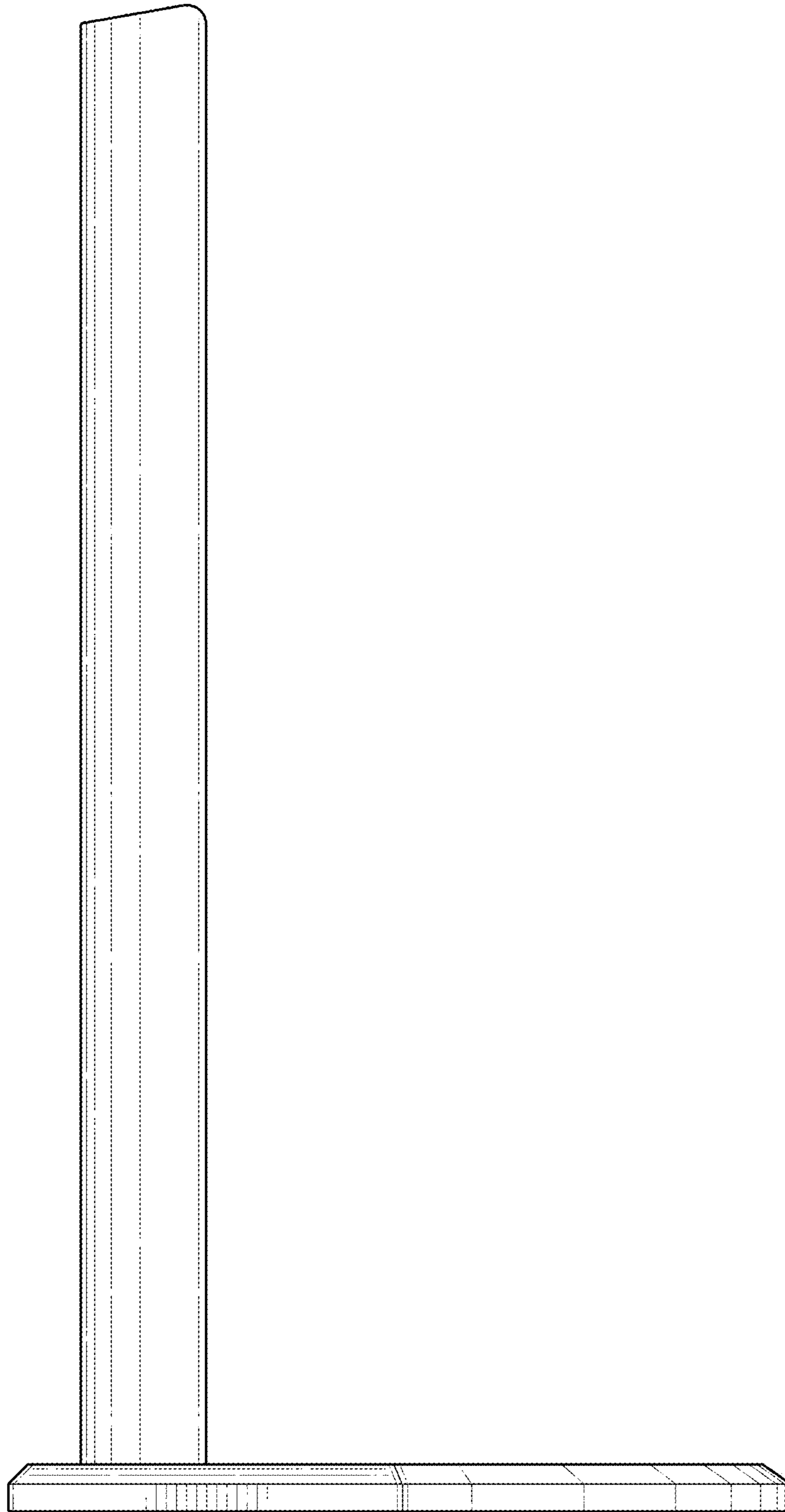


FIG. 4

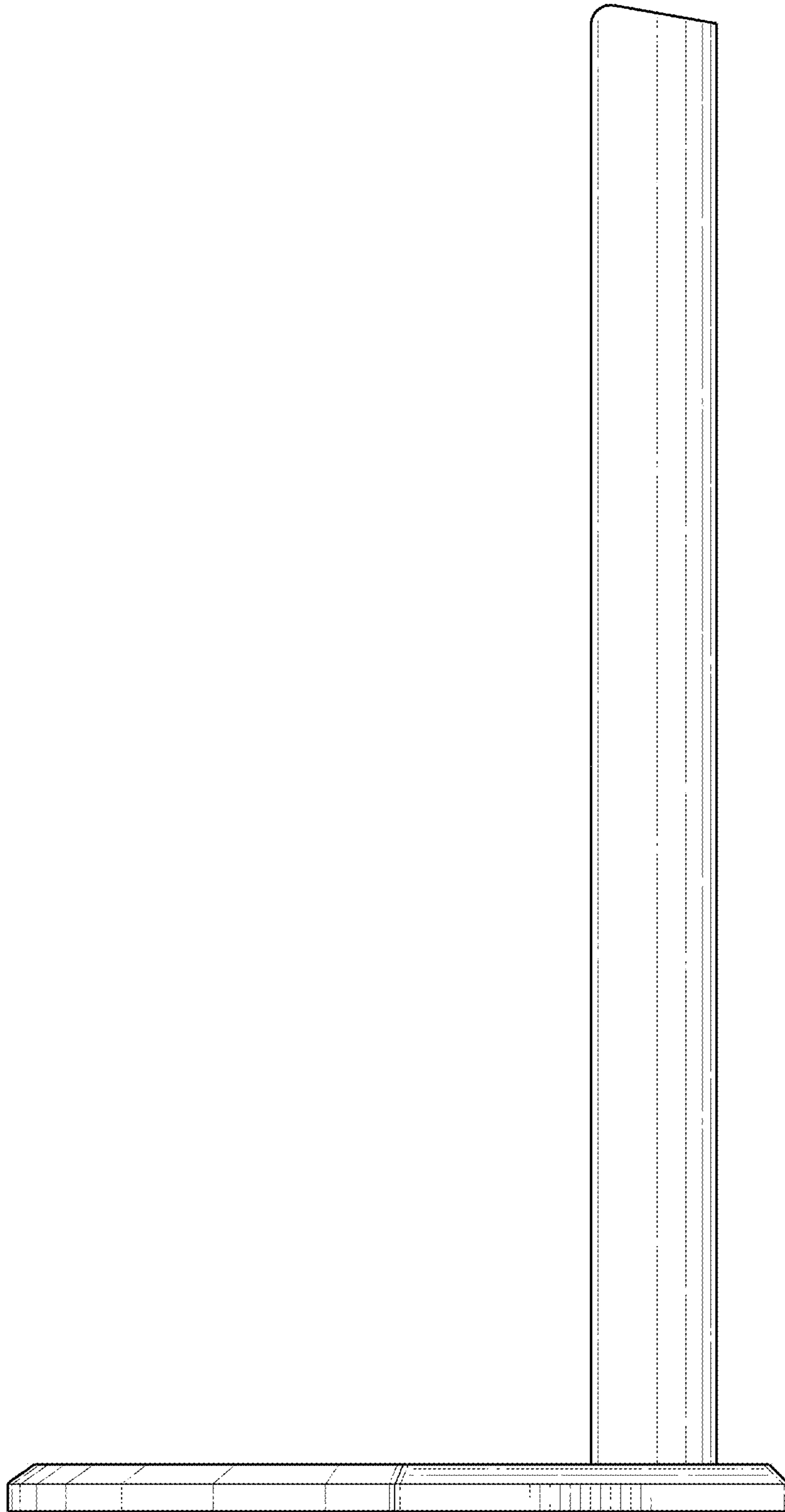


FIG. 5

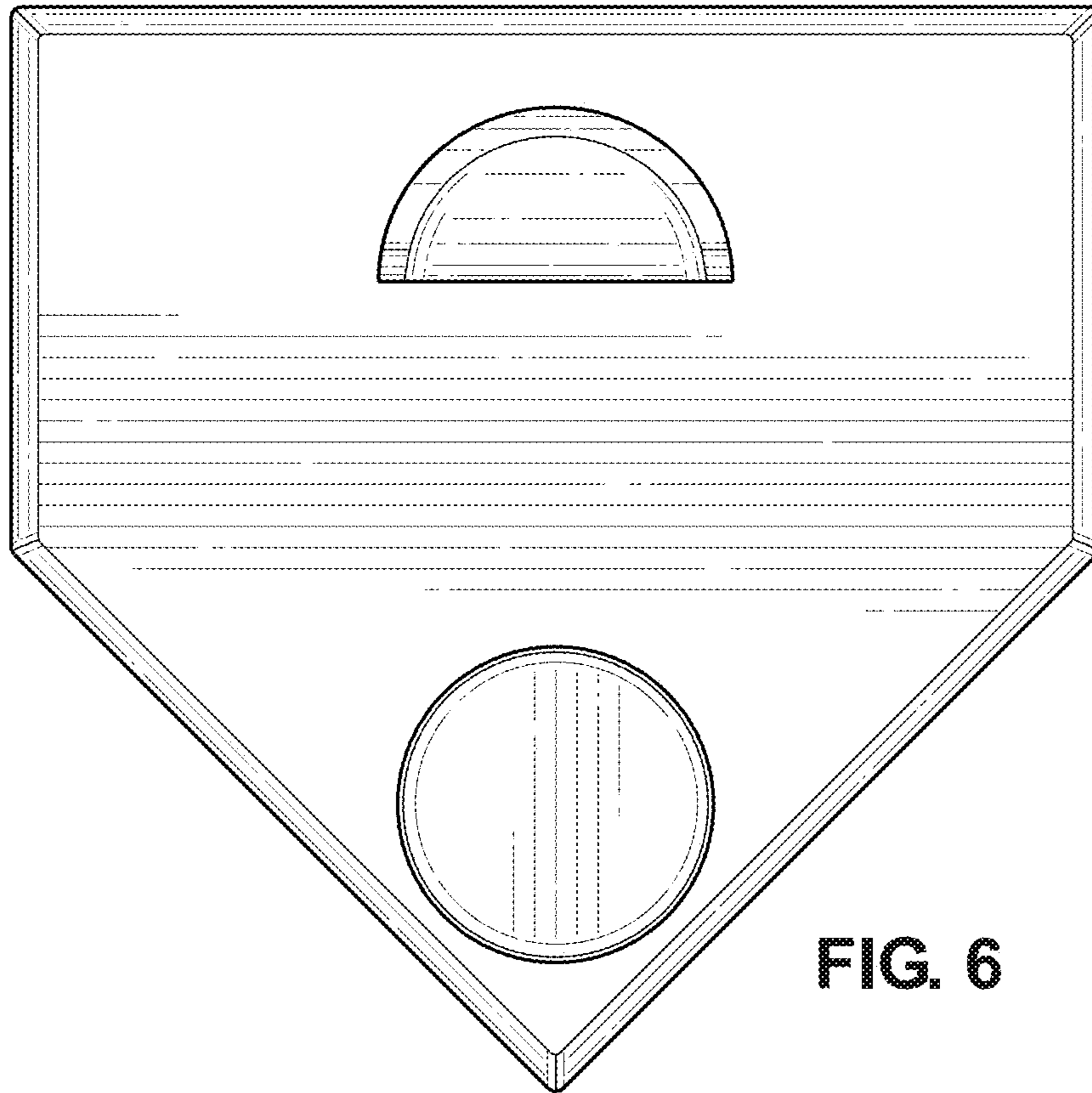


FIG. 6

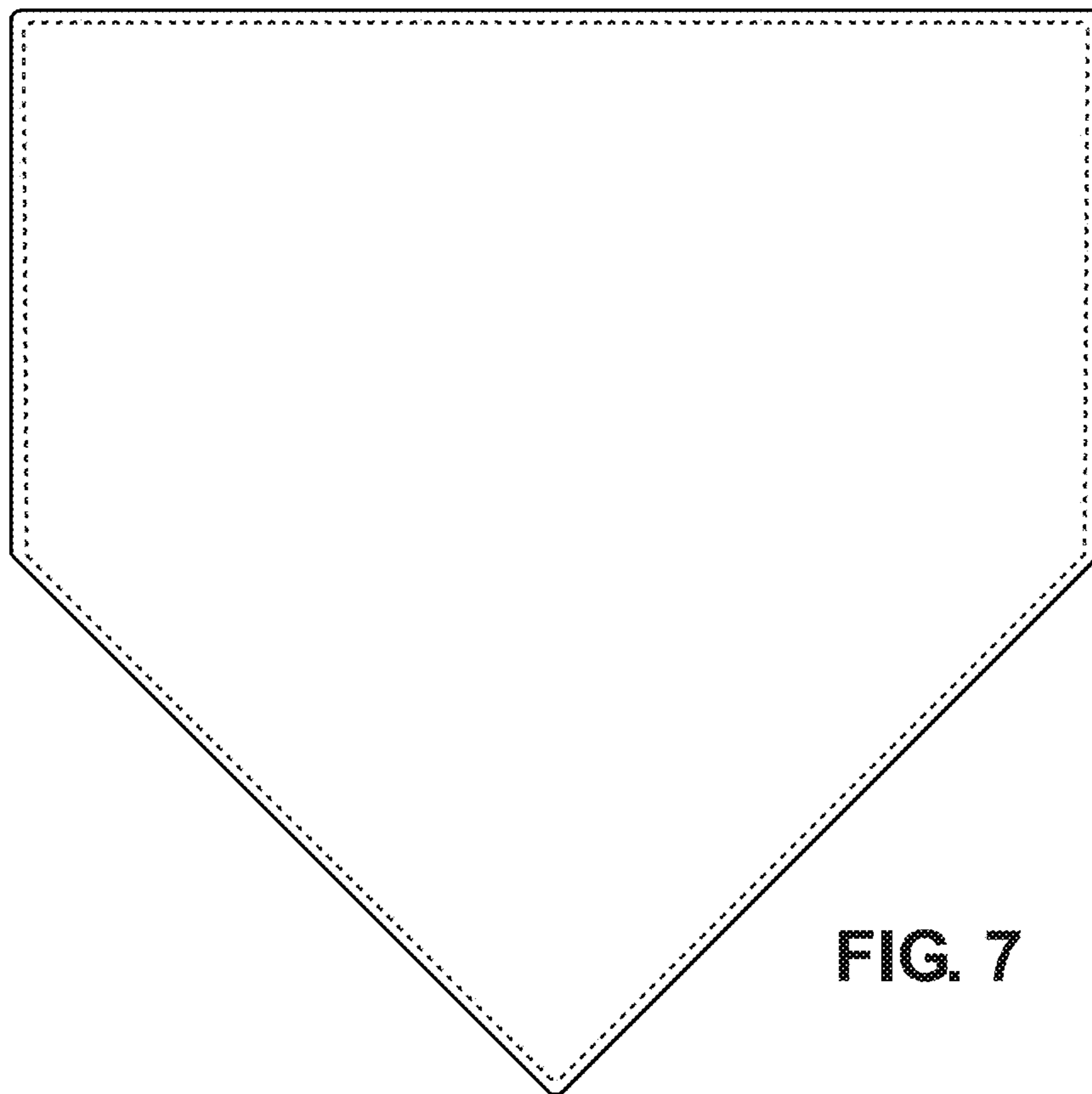


FIG. 7

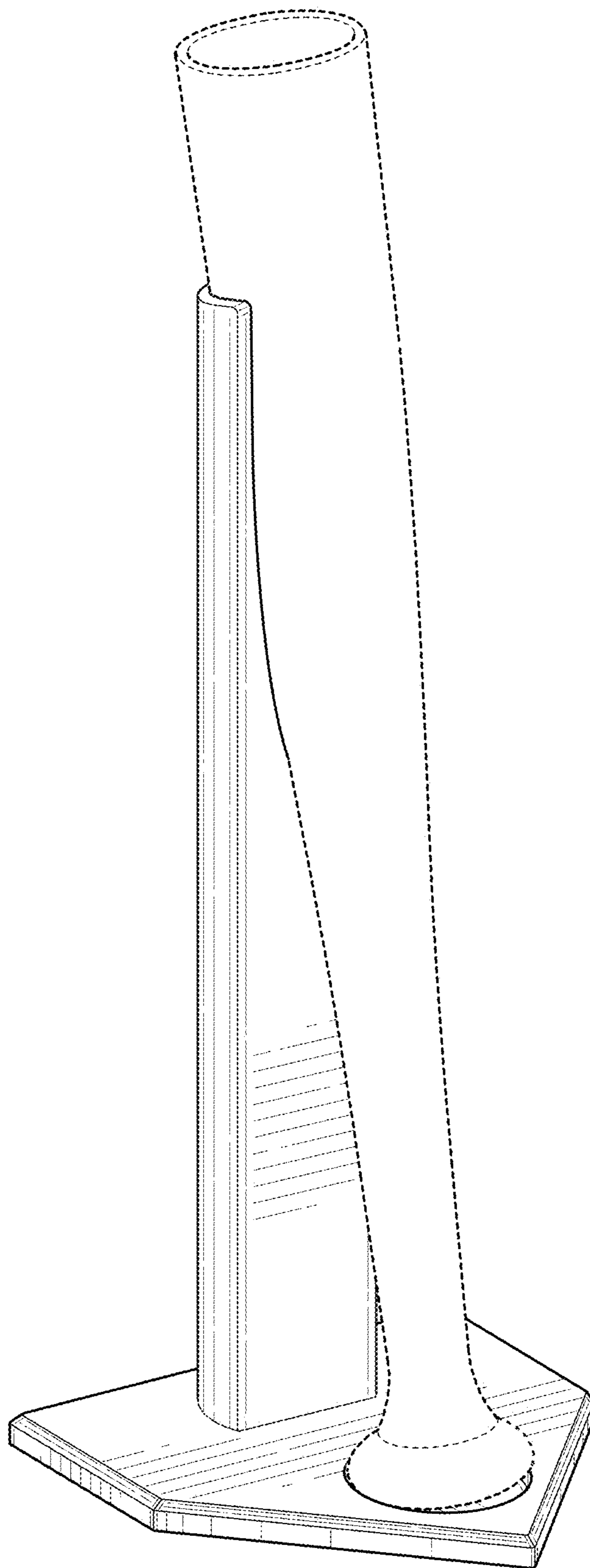


FIG. 8



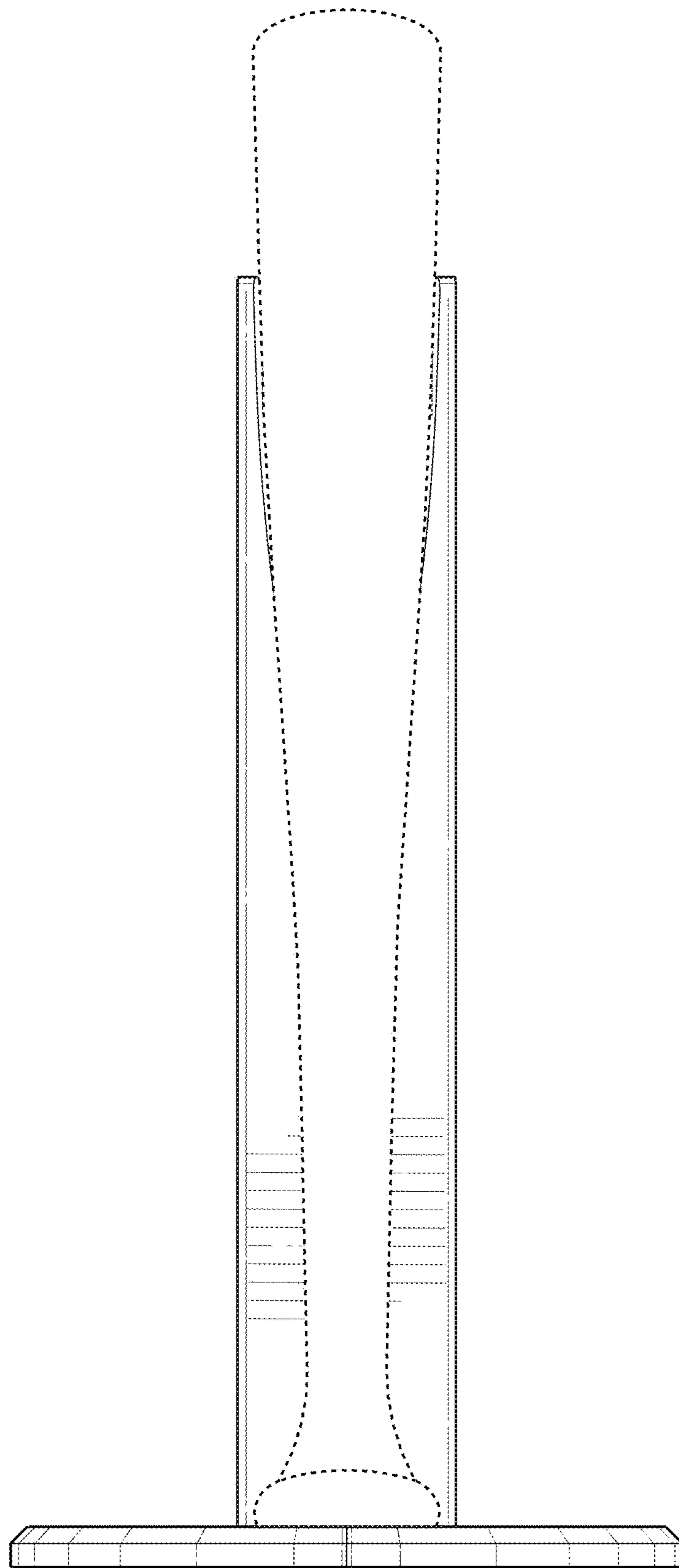
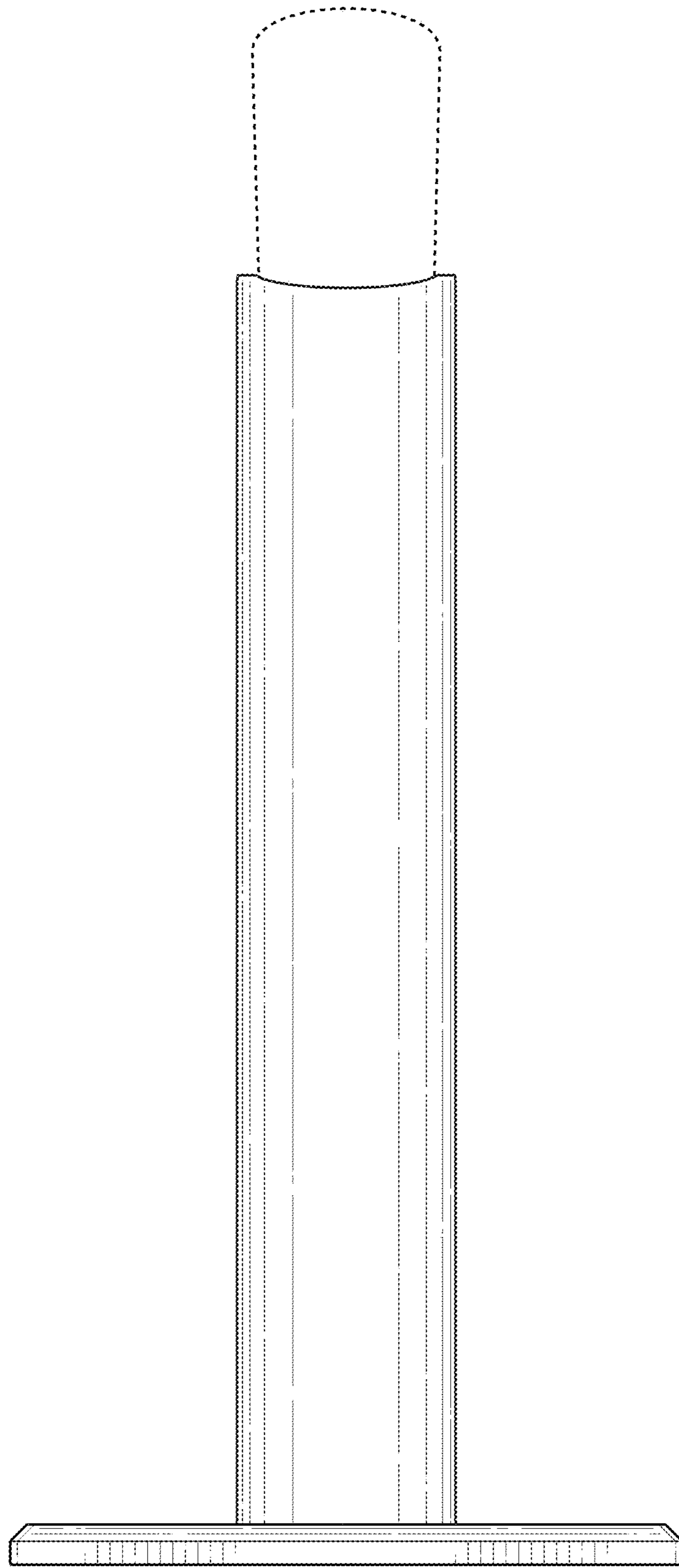


FIG. 9



**FIG. 10**

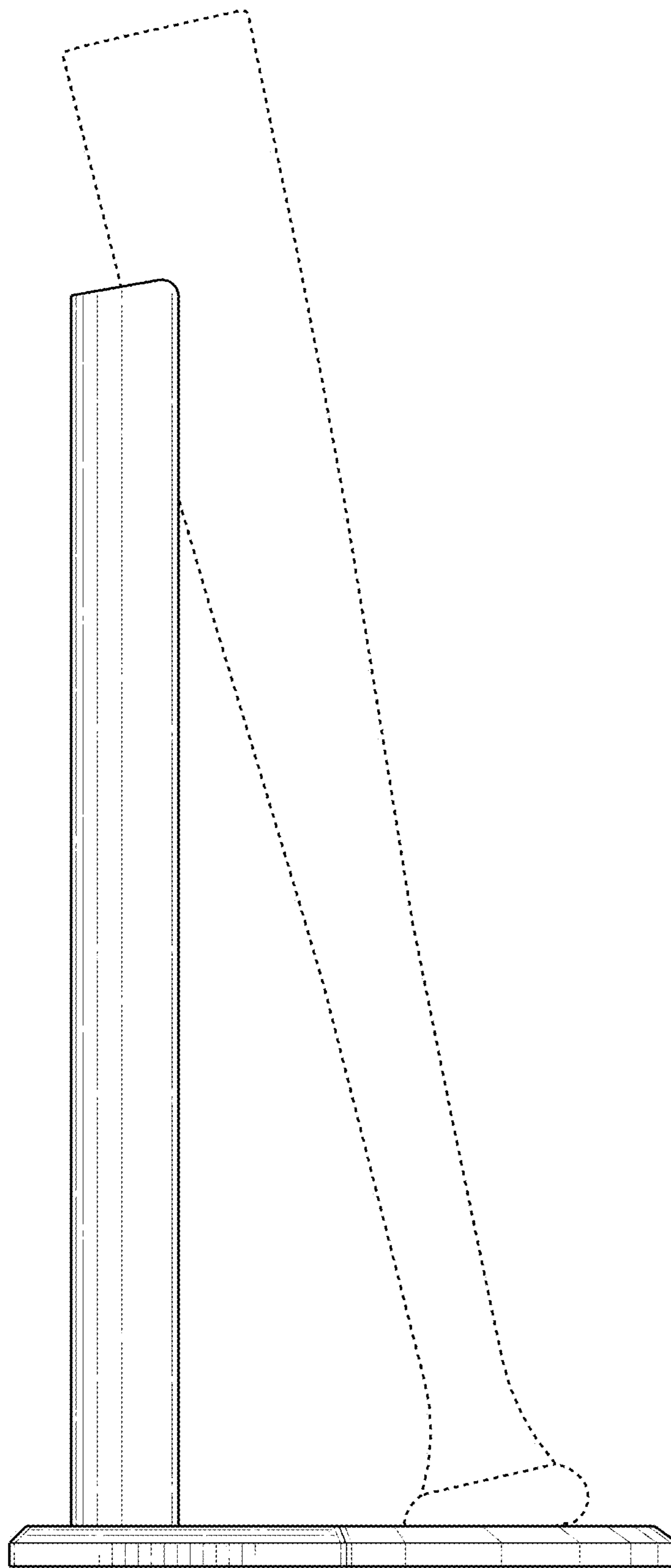


FIG. 11

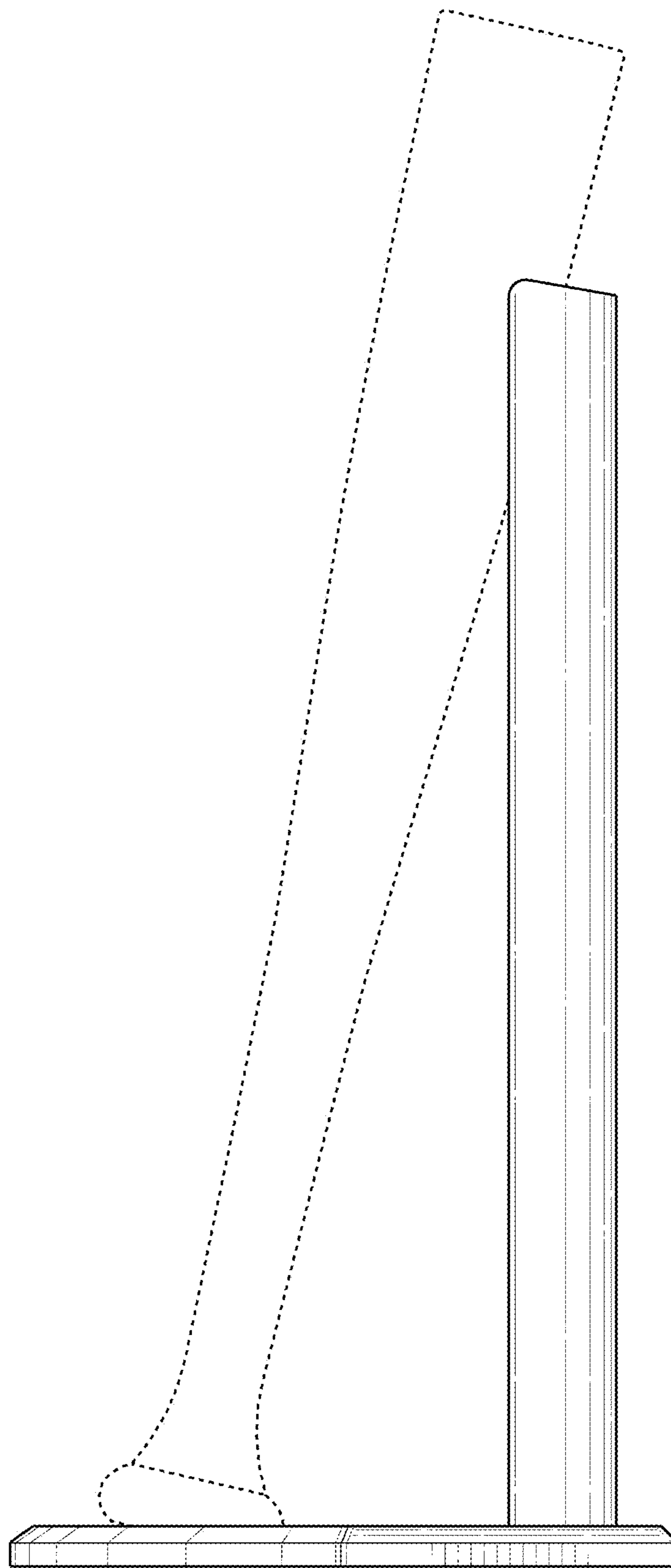
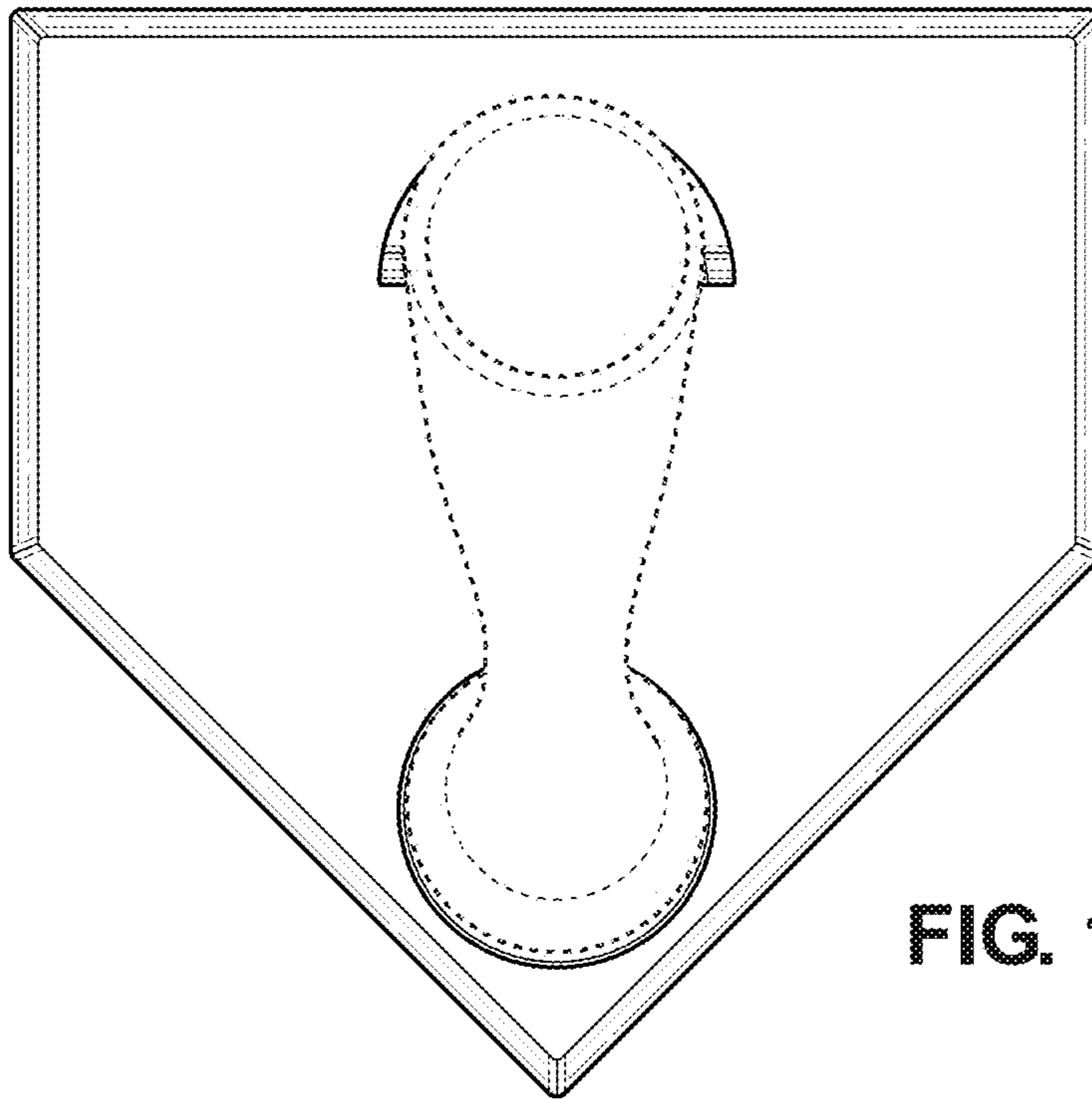
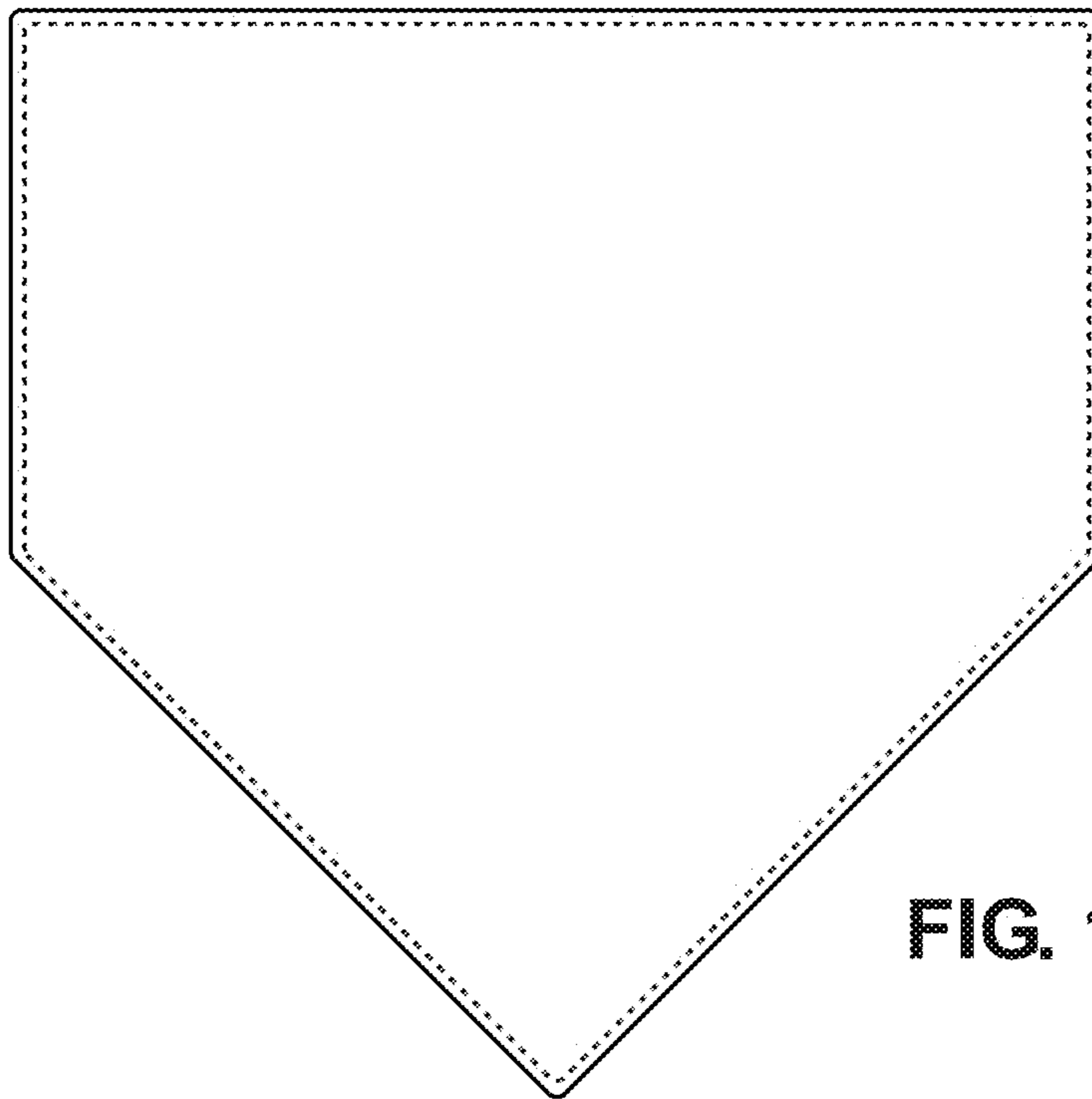


FIG. 12



**FIG. 13**



**FIG. 14**