



US00D948962S

(12) **United States Design Patent** (10) **Patent No.:** **US D948,962 S**  
**Miller** (45) **Date of Patent:** **\*\* Apr. 19, 2022**

(54) **BEVERAGE HOLDER STAKE** 3,586,274 A \* 6/1971 Hart ..... A01K 97/10  
248/530  
(71) Applicant: **Geckobrand, LLC**, Grandville, MI D307,692 S \* 5/1990 Shoup ..... D7/608  
(US) D308,802 S \* 6/1990 Ward ..... A01K 97/10  
248/156  
(72) Inventor: **Gabe Miller**, East Grand Rapids, MI D325,678 S \* 4/1992 Niles ..... D7/619.1  
(US) (Continued)

(73) Assignee: **Geckobrand, LLC**, Grandville, MI  
(US)

(\*\*) Term: **15 Years**

(21) Appl. No.: **29/733,541**

(22) Filed: **May 4, 2020**

(51) **LOC (13) Cl.** ..... **09-03**

(52) **U.S. Cl.**  
USPC ..... **D7/624.2**

(58) **Field of Classification Search**  
USPC ..... D3/215, 226, 229; D7/300, 316, 318,  
D7/503, 507, 509, 510, 511, 602, 605,  
D7/608, 619.1, 619.2, 624.2, 624.3, 625,  
D7/701, 710; D6/417; D8/388, 391,  
D8/392; D9/455  
CPC .. A47J 41/00; A47J 43/00; A47J 47/00; A47J  
47/02; A47J 47/08; A47G 19/2205; A47G  
19/2272; A47G 19/2288; A47G 19/23;  
A47G 21/145; A47G 23/0241; A47G  
23/0266; A47G 23/16; B65D 1/265;  
B65D 3/22; B65D 23/08; B65D 23/0885;  
B65D 81/3453; B65D 81/3865; B65D  
81/3881; B65D 81/3883; B65D 81/3886;  
B65D 81/3879; F25D 3/08; F25D 3/12;  
F25D 3/14

See application file for complete search history.

(56) **References Cited**

**U.S. PATENT DOCUMENTS**

2,506,321 A \* 5/1950 Vosburgh ..... A47G 23/0225  
248/153  
2,520,818 A \* 8/1950 Terry ..... A45F 3/44  
248/153

**OTHER PUBLICATIONS**

Geckobrand Beverage Holder Stake, academy.com. Retrieved from the internet Nov. 23, 2021 <URL: www.academy.com/shop/pdp/geckobrand-beverage-holder-stake?gmc\_feed=t (Year: 2021).\*

*Primary Examiner* — Joseph Kukella

*Assistant Examiner* — Darryl J Dardenne

(74) *Attorney, Agent, or Firm* — The Watson IP Group, PLC; Jovan N. Jovanovic

(57) **CLAIM**

The ornamental design for a beverage holder stake, as shown and described.

**DESCRIPTION**

FIG. 1 of the drawings is a top perspective view of the beverage holder stake showing, in particular, the ornamental design thereof;

FIG. 2 of the drawings is a bottom perspective view thereof;

FIG. 3 of the drawings is a front elevational view thereof;

FIG. 4 of the drawings is a back elevational view thereof;

FIG. 5 of the drawings is a first side elevational view thereof;

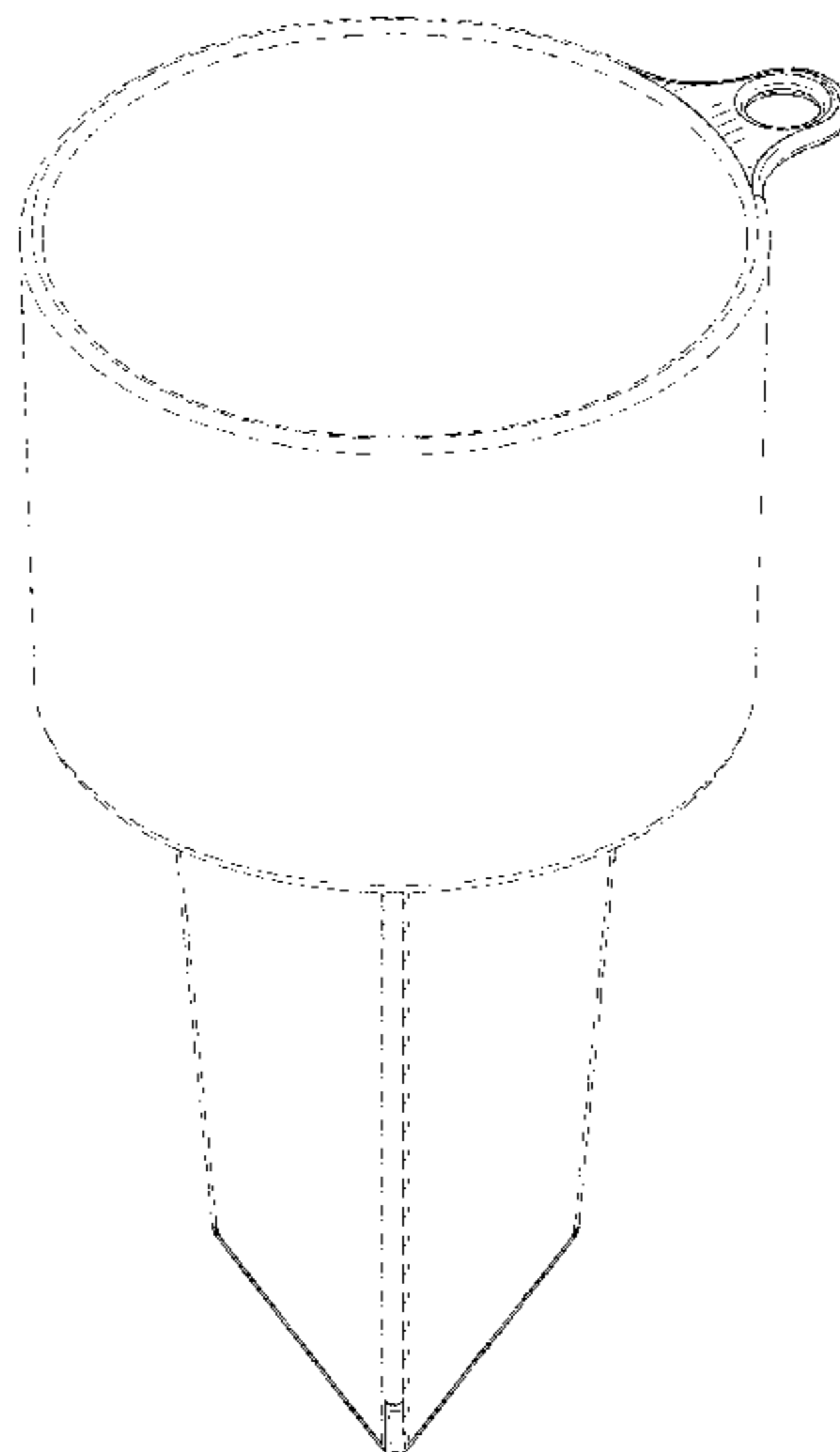
FIG. 6 of the drawings is a second side elevational view thereof;

FIG. 7 of the drawings is a top plan view thereof; and,

FIG. 8 of the drawings is a bottom plan view thereof.

In the drawings, the broken lines depict portions of the article that form no part of the claimed design.

**1 Claim, 7 Drawing Sheets**



(56)

**References Cited**

U.S. PATENT DOCUMENTS

D337,487 S \* 7/1993 Ramsey ..... A47G 23/0225  
D7/619.1  
D366,600 S \* 1/1996 Laskowski ..... D21/840  
5,881,495 A \* 3/1999 Clark ..... A45F 3/44  
47/48.5  
D494,429 S \* 8/2004 Tuite ..... D7/620  
D508,742 S \* 8/2005 van Bekhoven ..... D26/9  
D511,440 S \* 11/2005 McRoberts ..... D7/620  
D566,480 S \* 4/2008 Lawler ..... D7/620  
D574,670 S \* 8/2008 Grady ..... D6/681.2  
D643,253 S \* 8/2011 Cilmi ..... D7/620  
D657,633 S \* 4/2012 Butler ..... D7/620  
D705,013 S \* 5/2014 Audibert ..... D7/620  
D770,238 S \* 11/2016 Lundwall ..... D7/620  
D770,863 S \* 11/2016 Sanbar ..... D7/620  
D842,999 S \* 3/2019 Fleury ..... D24/197  
D914,459 S \* 3/2021 St Martin ..... D7/619.1

\* cited by examiner

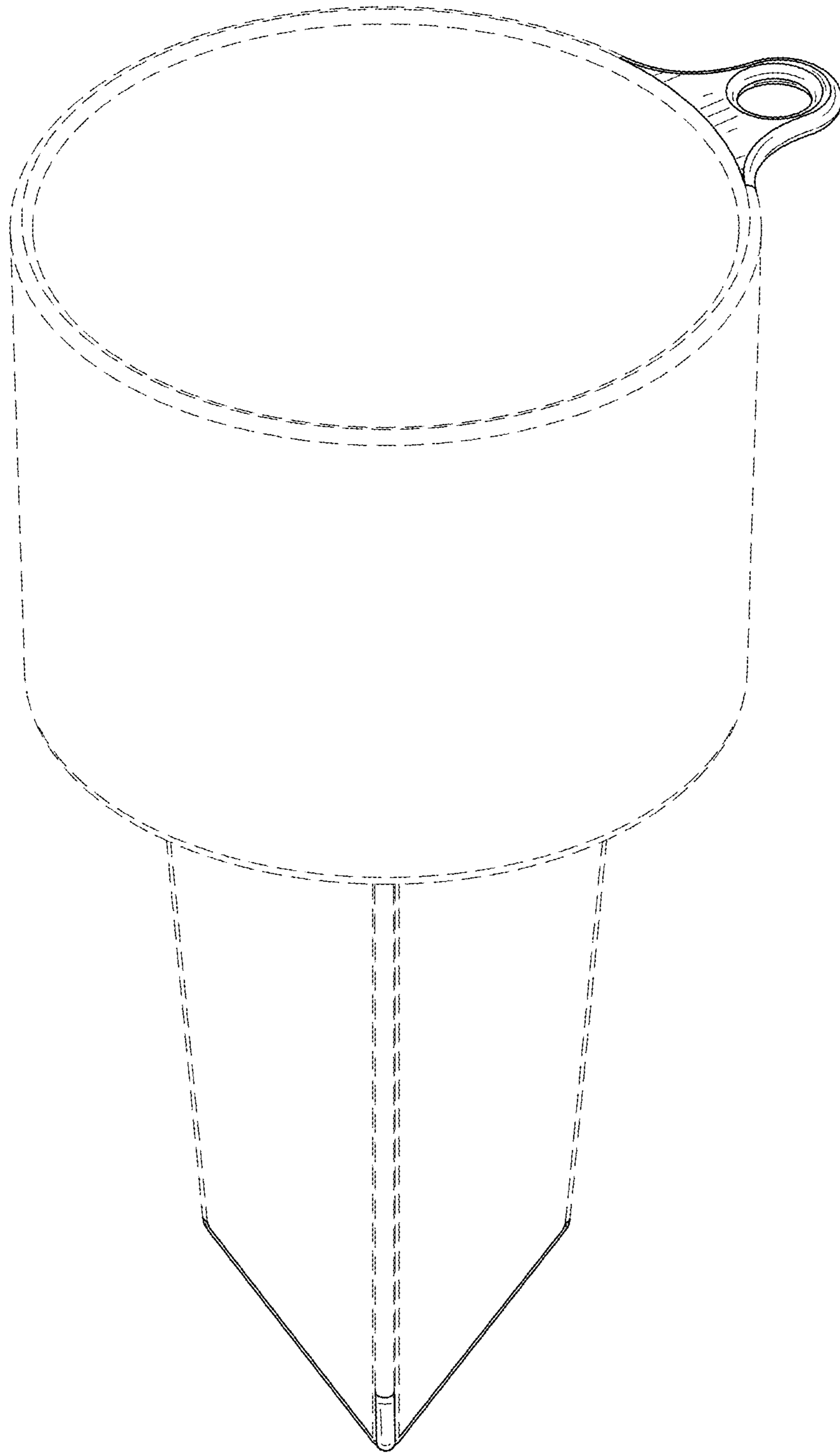


FIG. 1

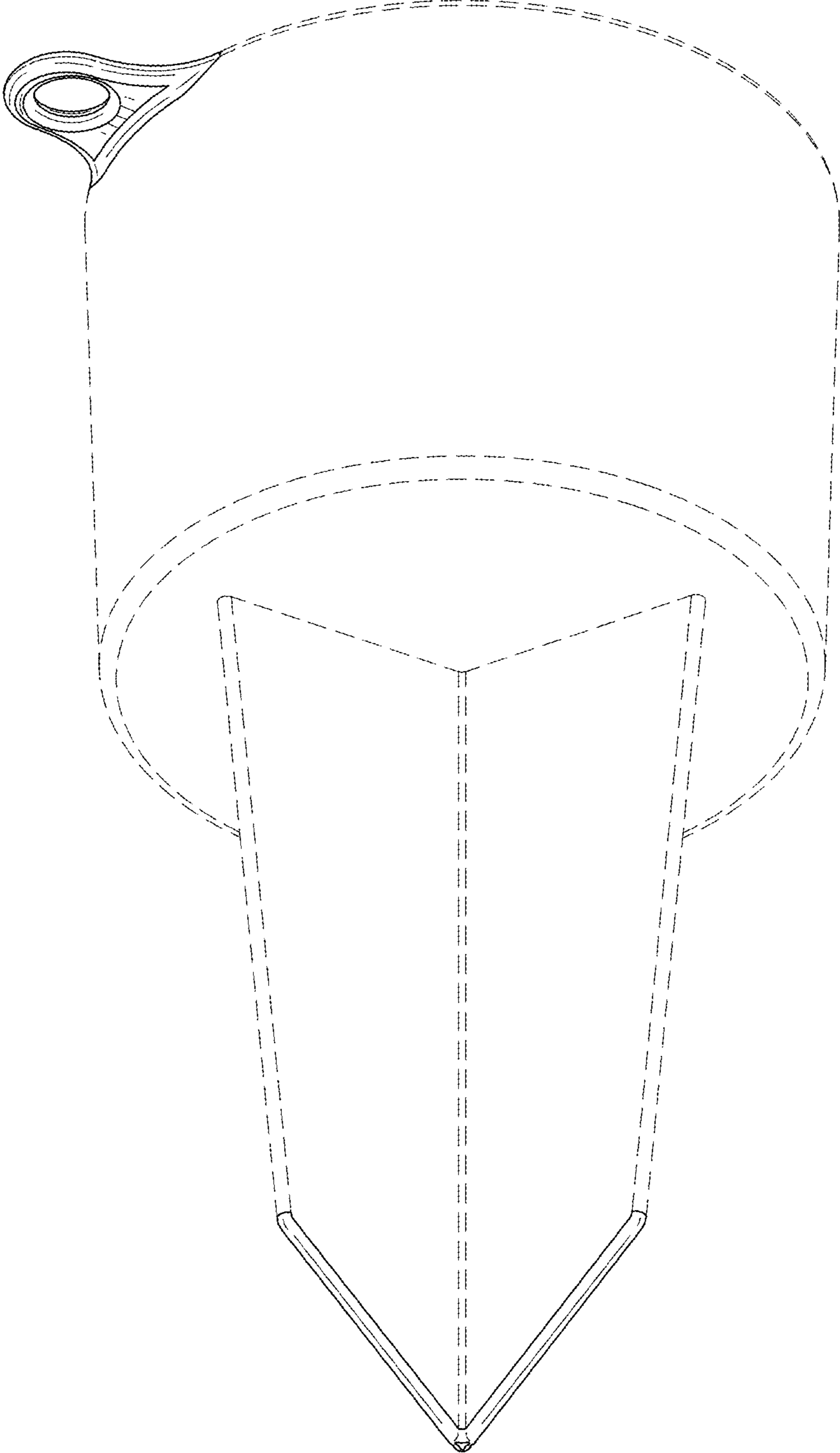


FIG. 2

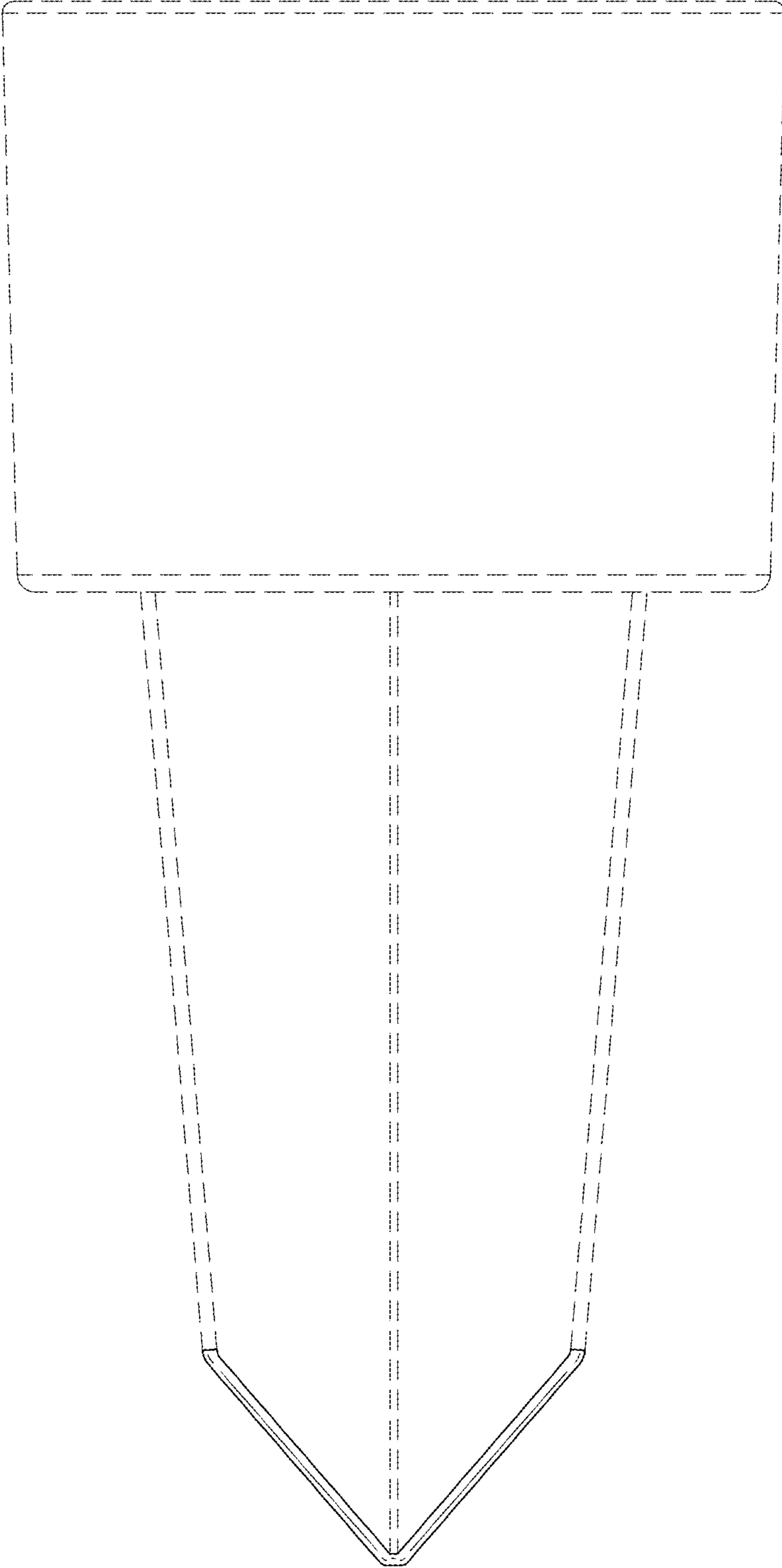


FIG. 3

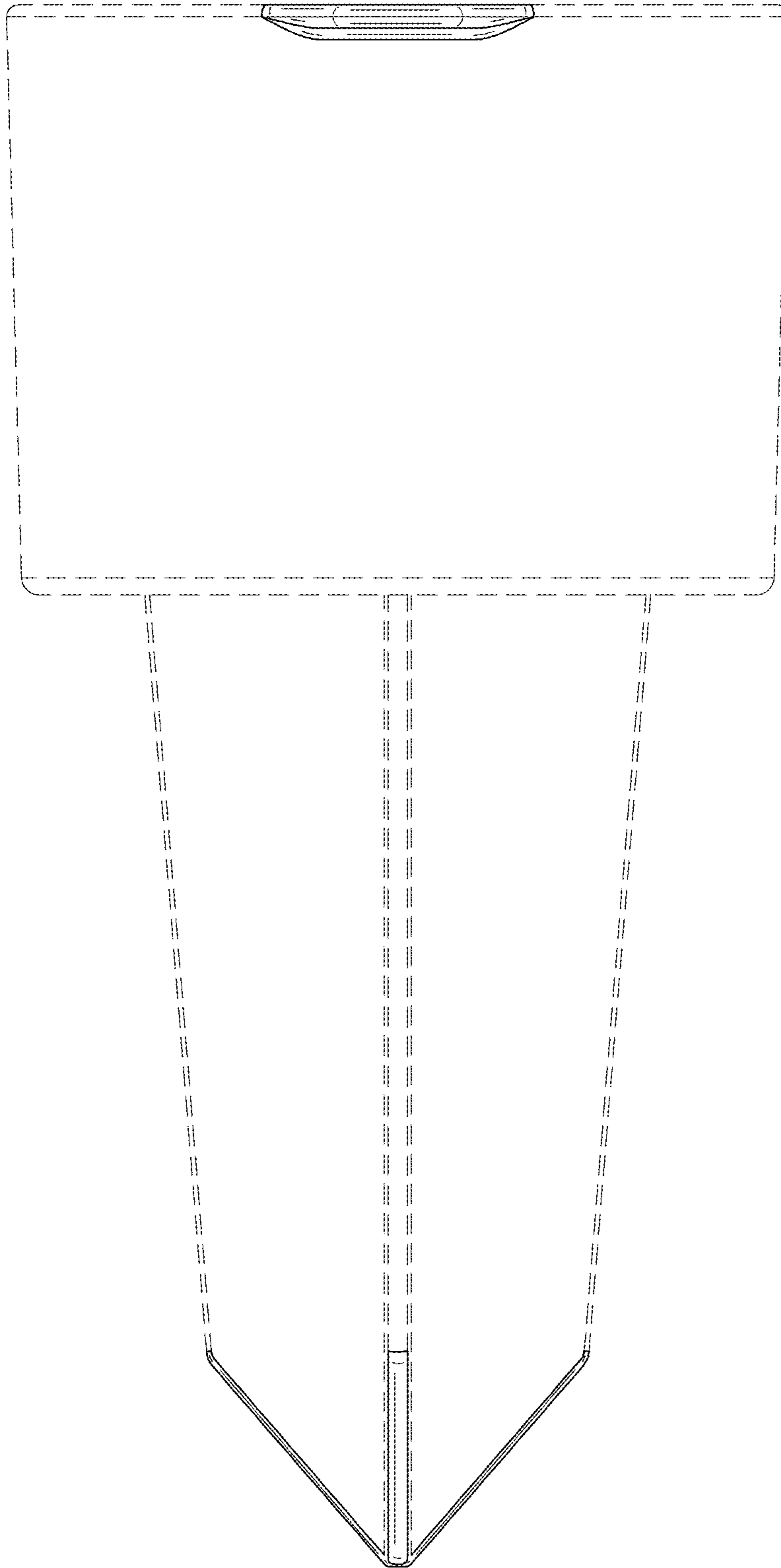


FIG. 4

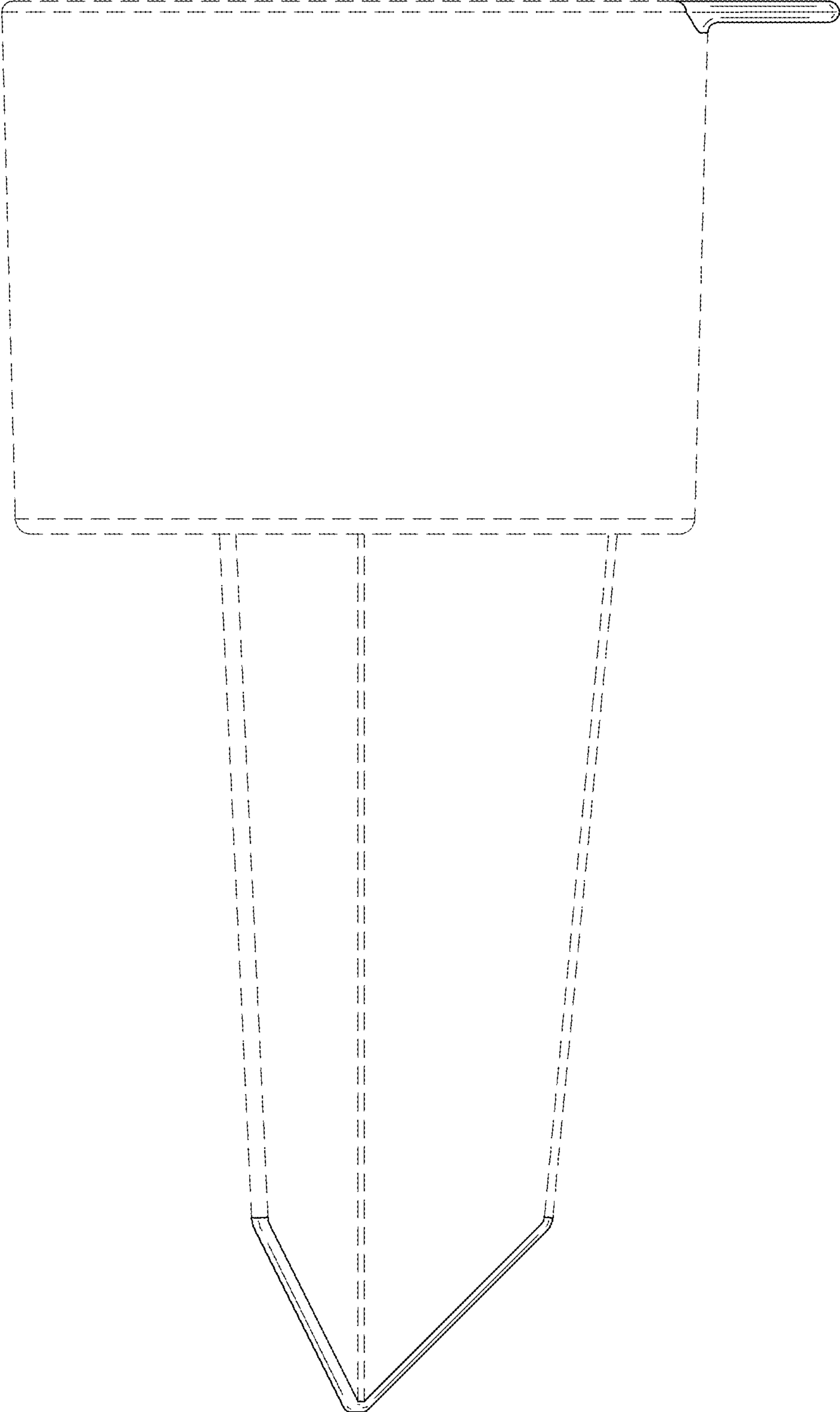


FIG. 5

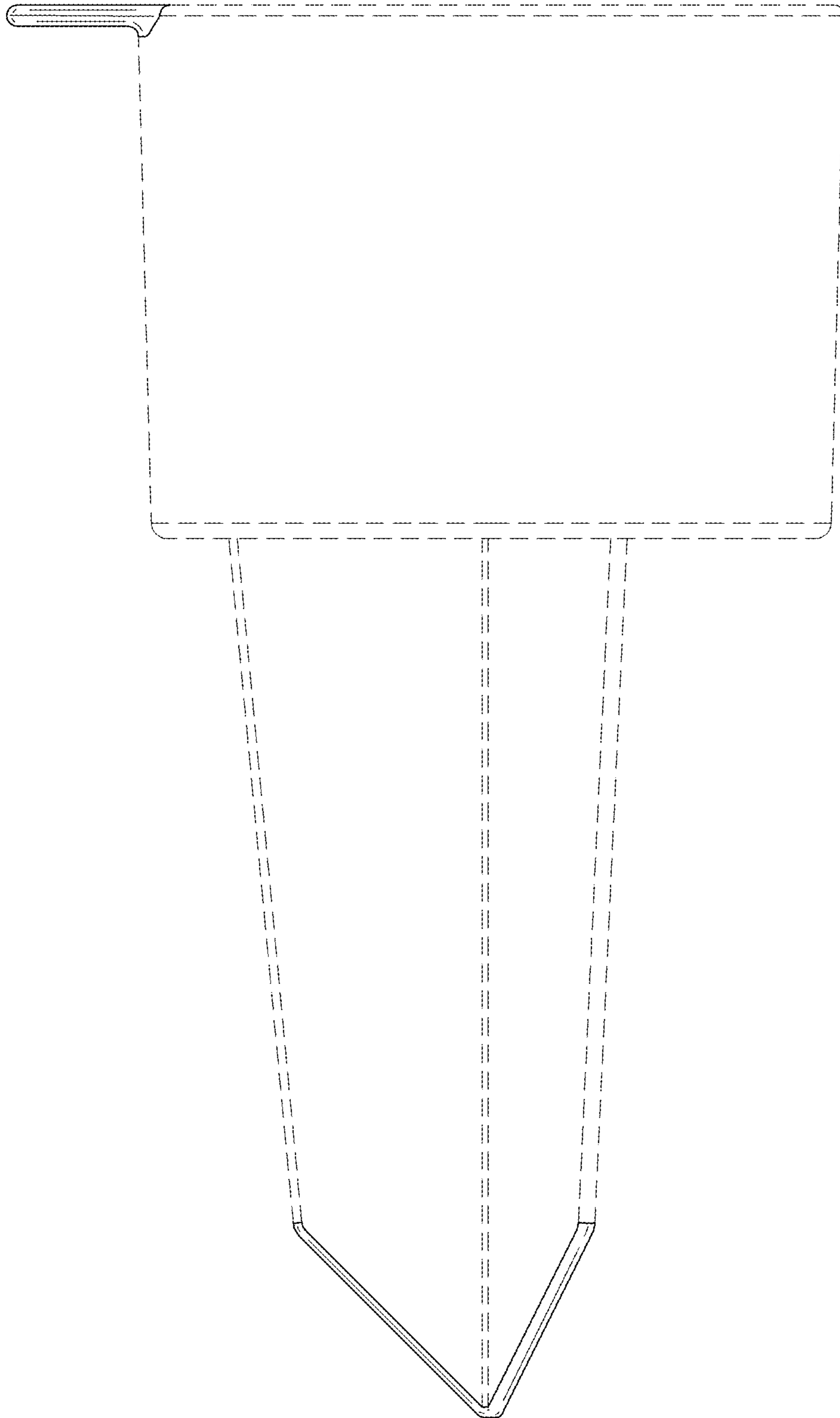


FIG. 6



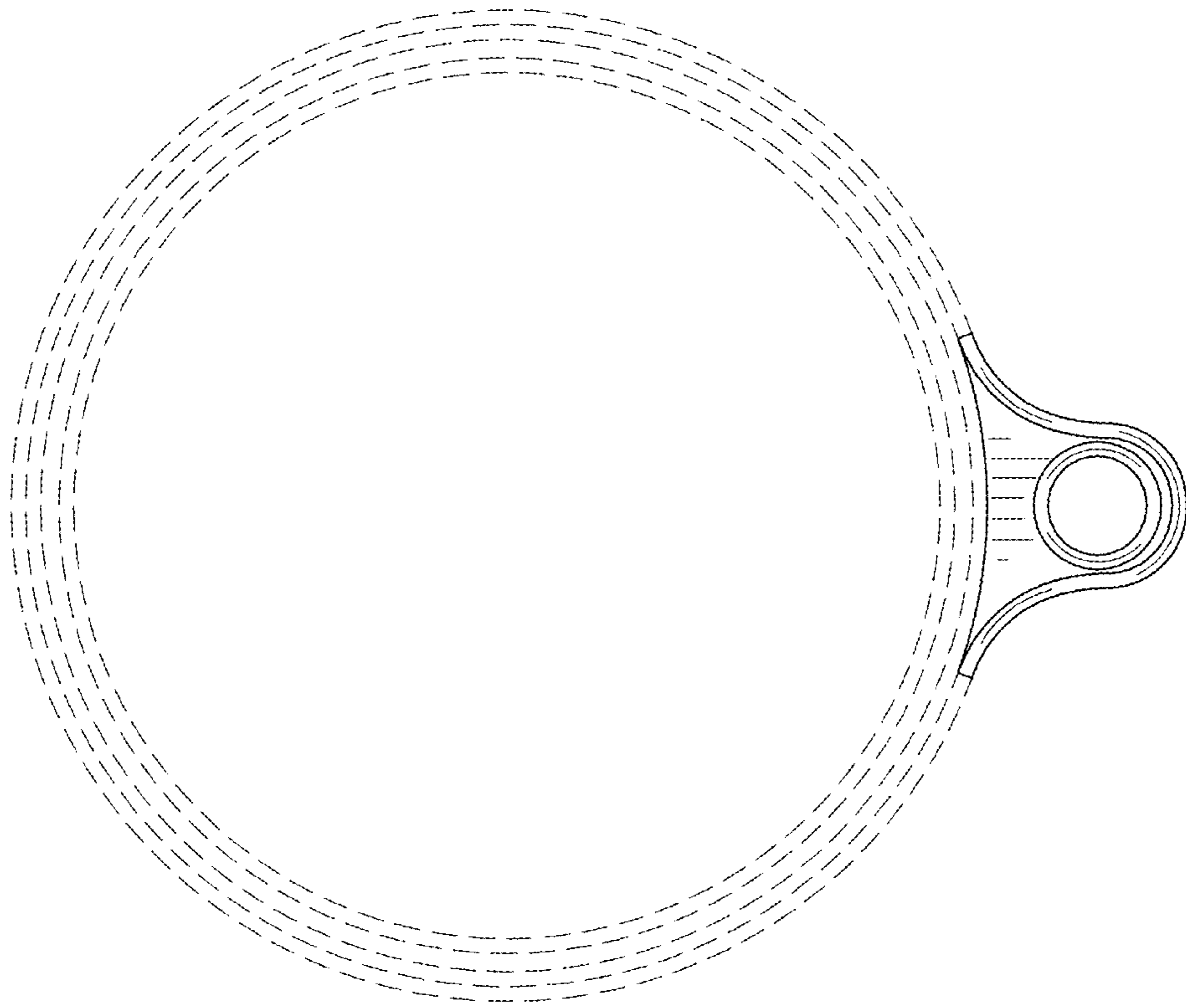


FIG. 7

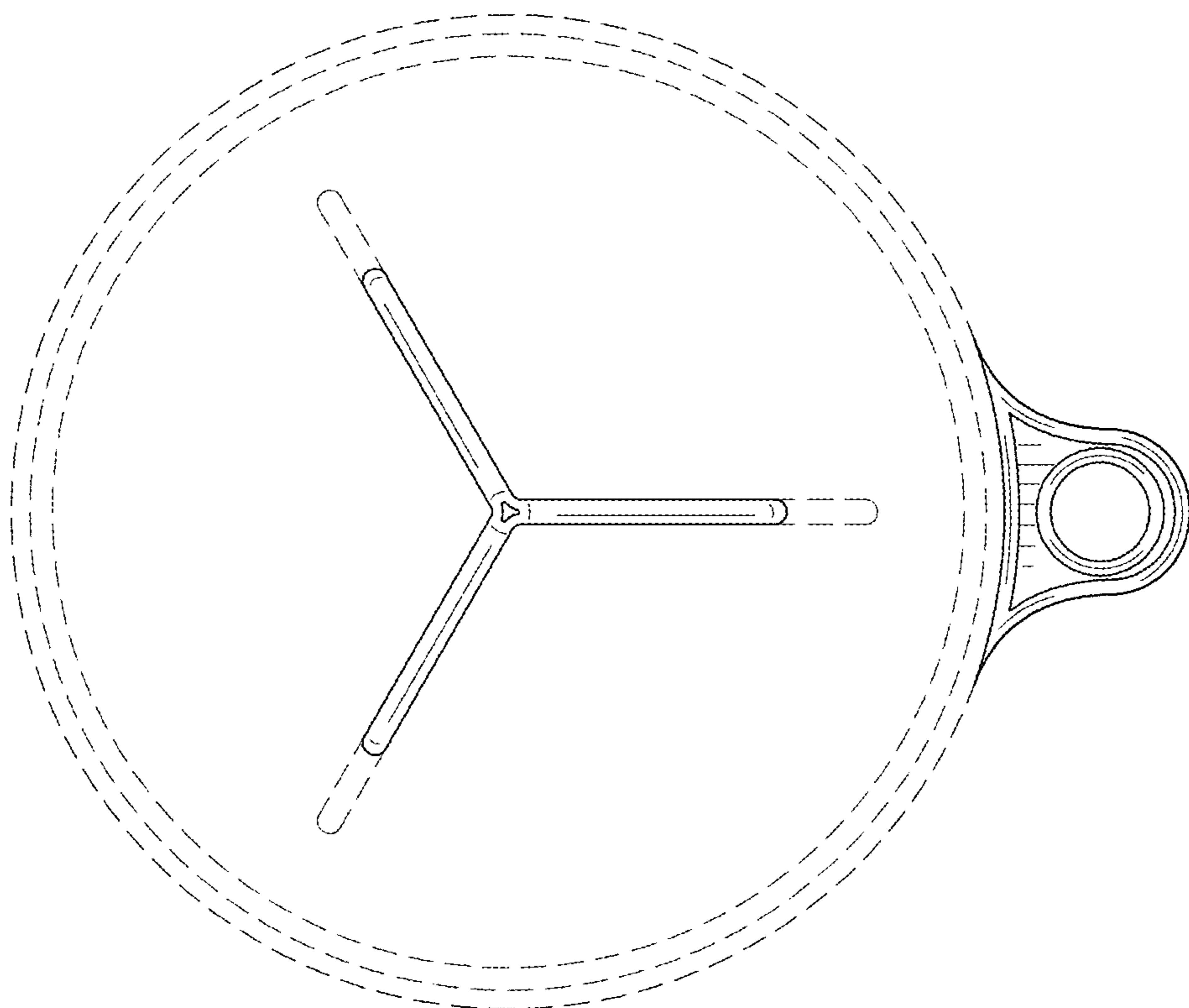


FIG. 8