



US00D948961S

(12) **United States Design Patent**
Robinson

(10) **Patent No.:** **US D948,961 S**

(45) **Date of Patent:** **** Apr. 19, 2022**

(54) **CUP HOLDER EXTENSION**

(71) Applicant: **Lori G. Robinson**, Fairview, UT (US)

(72) Inventor: **Lori G. Robinson**, Fairview, UT (US)

(**) Term: **15 Years**

(21) Appl. No.: **29/775,013**

(22) Filed: **Mar. 19, 2021**

(51) **LOC (13) Cl.** **09-03**

(52) **U.S. Cl.**
USPC **D7/620**

(58) **Field of Classification Search**
USPC D7/601, 602, 619.1, 620, 622; D12/400,
D12/415, 419, 420, 223; D32/53.1, 54;
D6/524, 527, 535; D3/202; D19/101,
D19/102, 104
CPC B65D 25/04; B65D 21/00; B60N 3/10;
B60N 3/103; A47G 23/02
See application file for complete search history.

(56) **References Cited**

U.S. PATENT DOCUMENTS

5,118,063	A	6/1992	Young, Sr.	
D332,552	S *	1/1993	Lynch	D7/505
D341,624	S *	11/1993	Evenson	D19/75
D398,481	S	9/1998	Brown et al.	
6,109,580	A	8/2000	Stern et al.	
D447,024	S *	8/2001	Thomas	D12/419

6,533,233	B2	3/2003	Thomas	
D529,765	S *	10/2006	Gomes	D7/620
D655,136	S *	3/2012	Goodman	D7/553.6
D819,408	S	6/2018	Floco	
D829,637	S *	10/2018	Patten	D12/415
10,441,071	B2	10/2019	Floco	
2006/0118453	A1	6/2006	Hillebrecht et al.	

* cited by examiner

Primary Examiner — Andrew Kerr

(74) *Attorney, Agent, or Firm* — Gurr Brande & Spendlove, PLLC; Robert A. Gurr

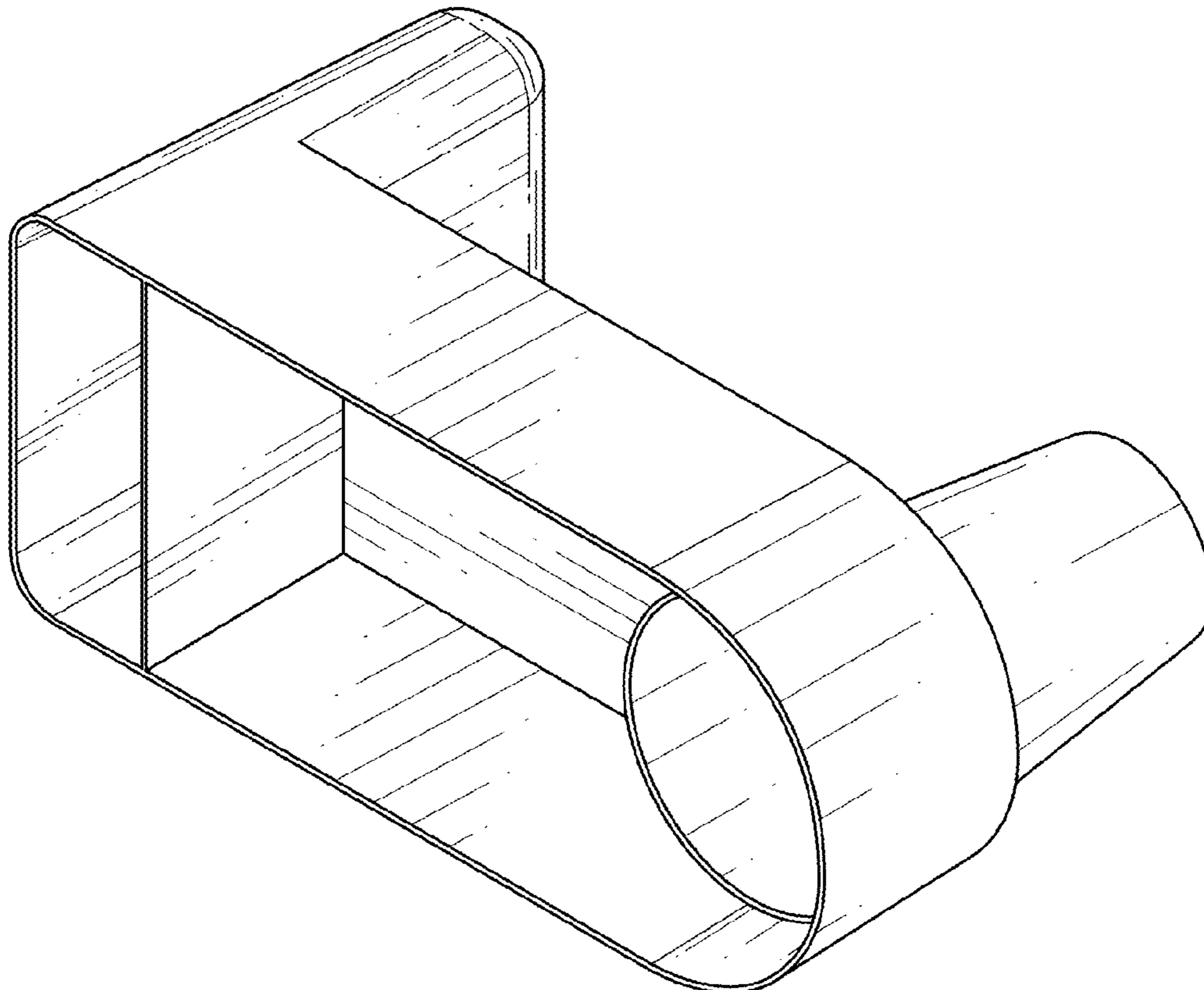
(57) **CLAIM**

The ornamental design for a cup holder extension, as shown and described.

DESCRIPTION

FIG. 1 is a top, left side perspective view of a cup holder extension, showing my new design;
FIG. 2 is a right side elevation view of the cup holder extension;
FIG. 3 is a left side elevation view of the cup holder extension;
FIG. 4 is a front elevation view of the cup holder extension;
FIG. 5 is a rear elevation view of the cup holder extension;
FIG. 6 is a top plan view of the cup holder extension; and,
FIG. 7 is a bottom plan view of the cup holder extension.

1 Claim, 4 Drawing Sheets



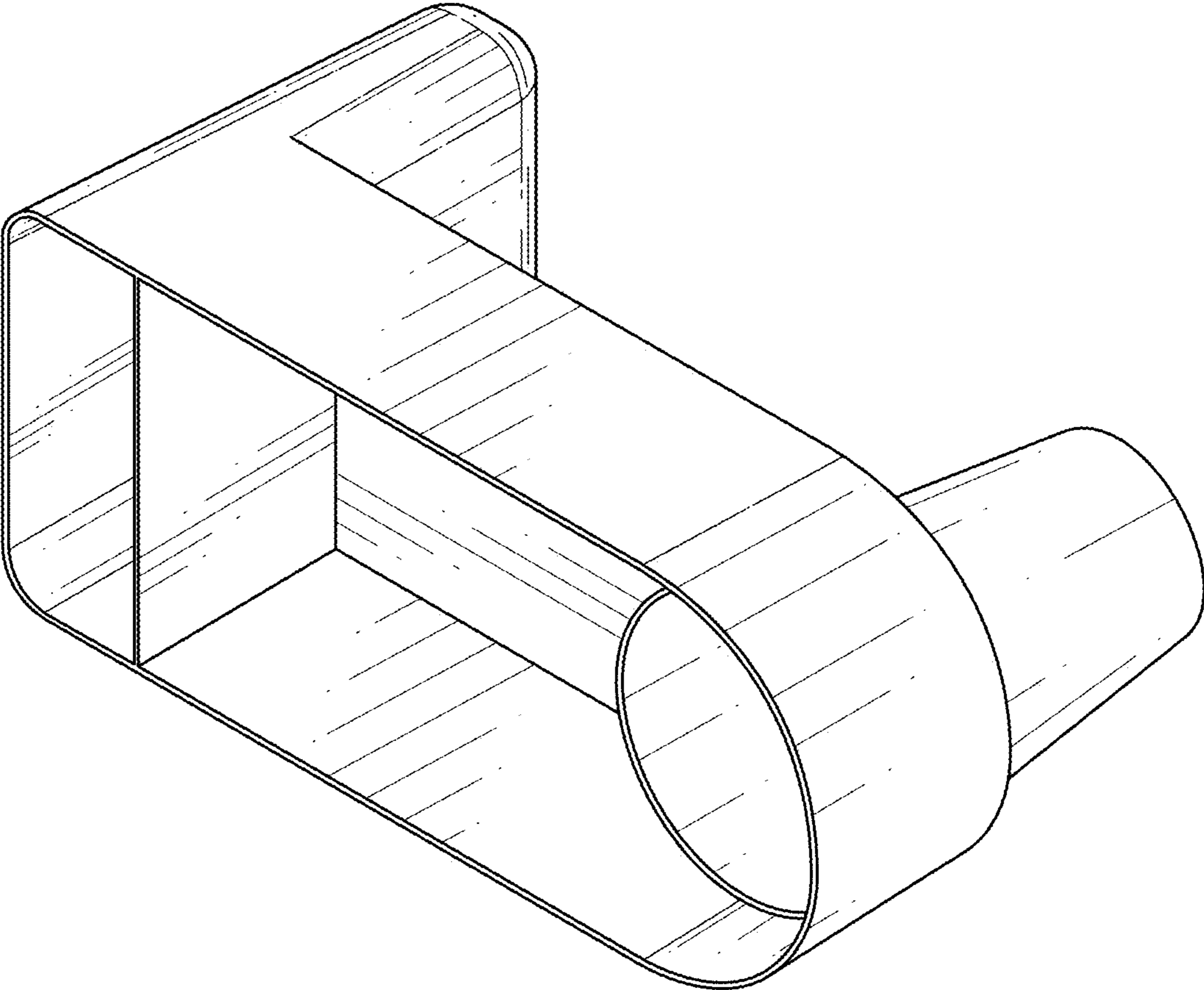


FIG. 1

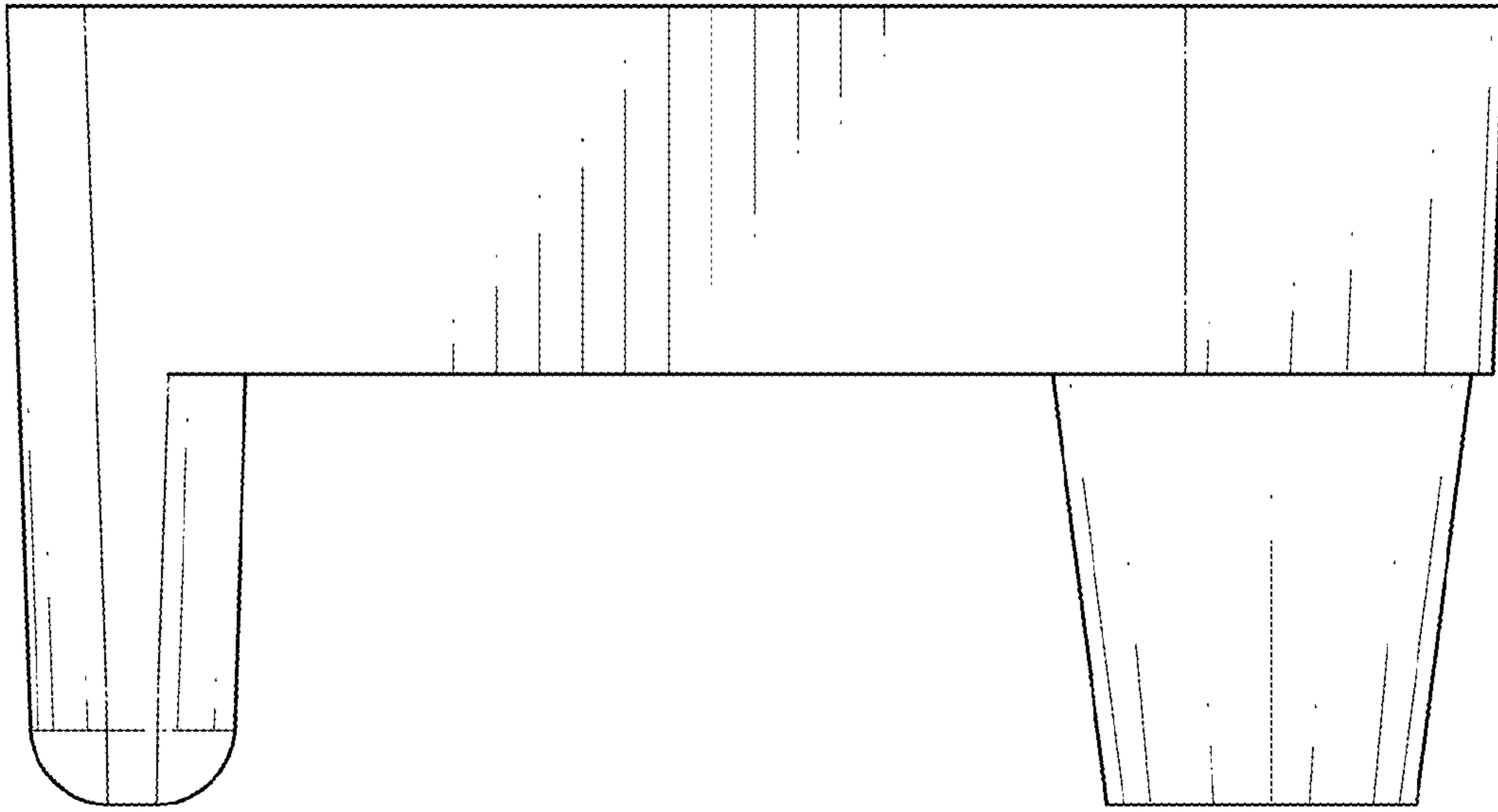


FIG. 2

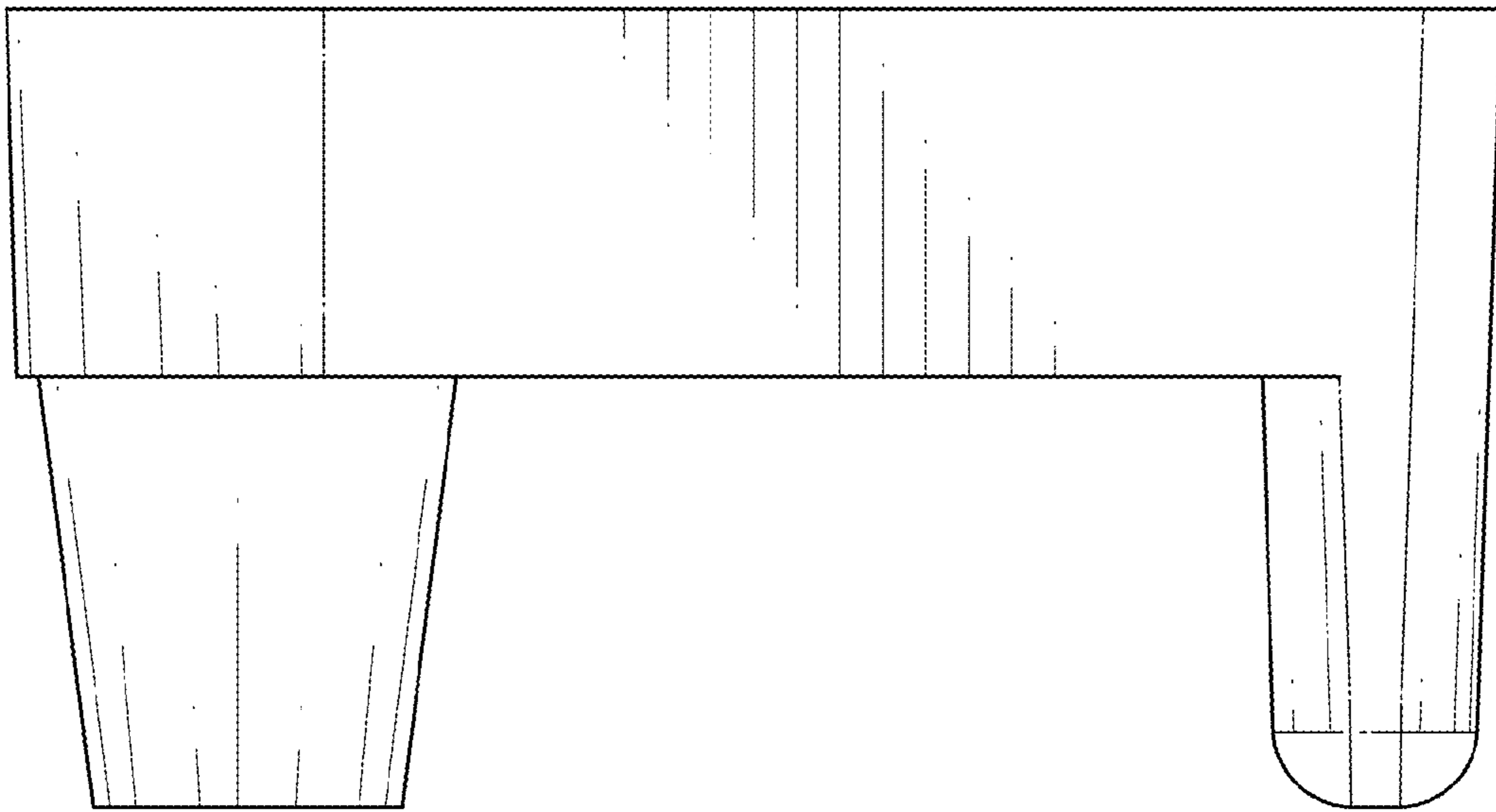


FIG. 3

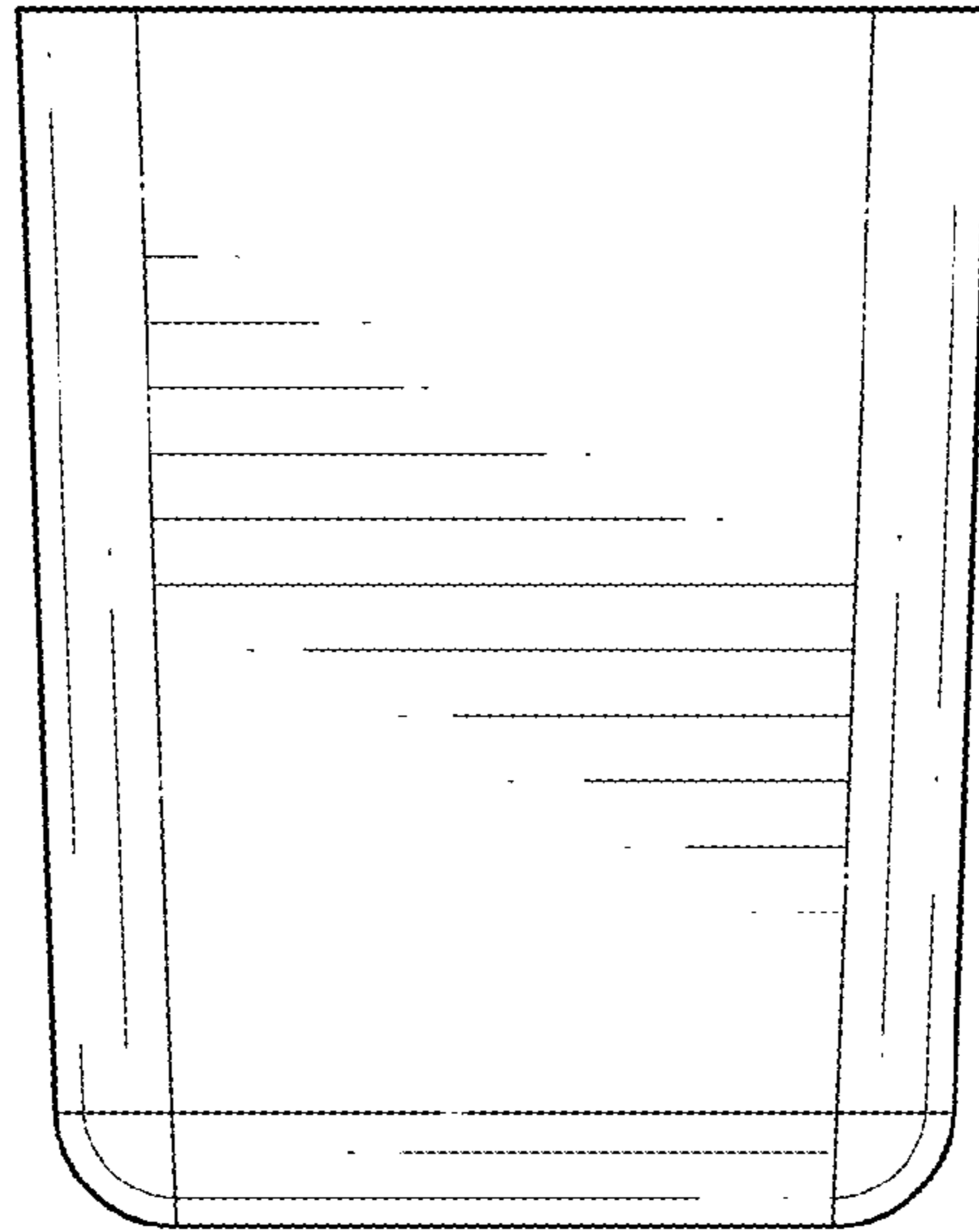


FIG. 4

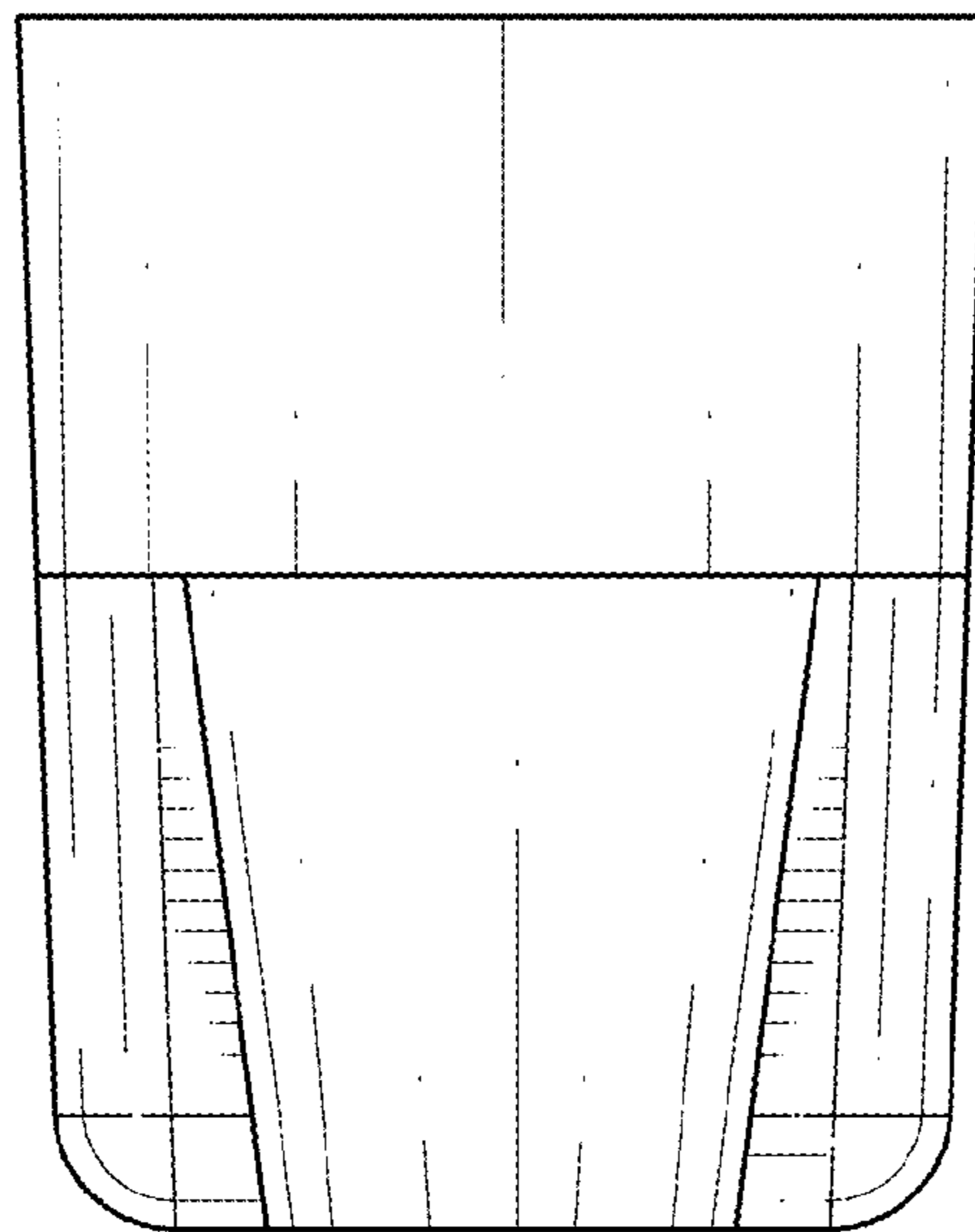


FIG. 5

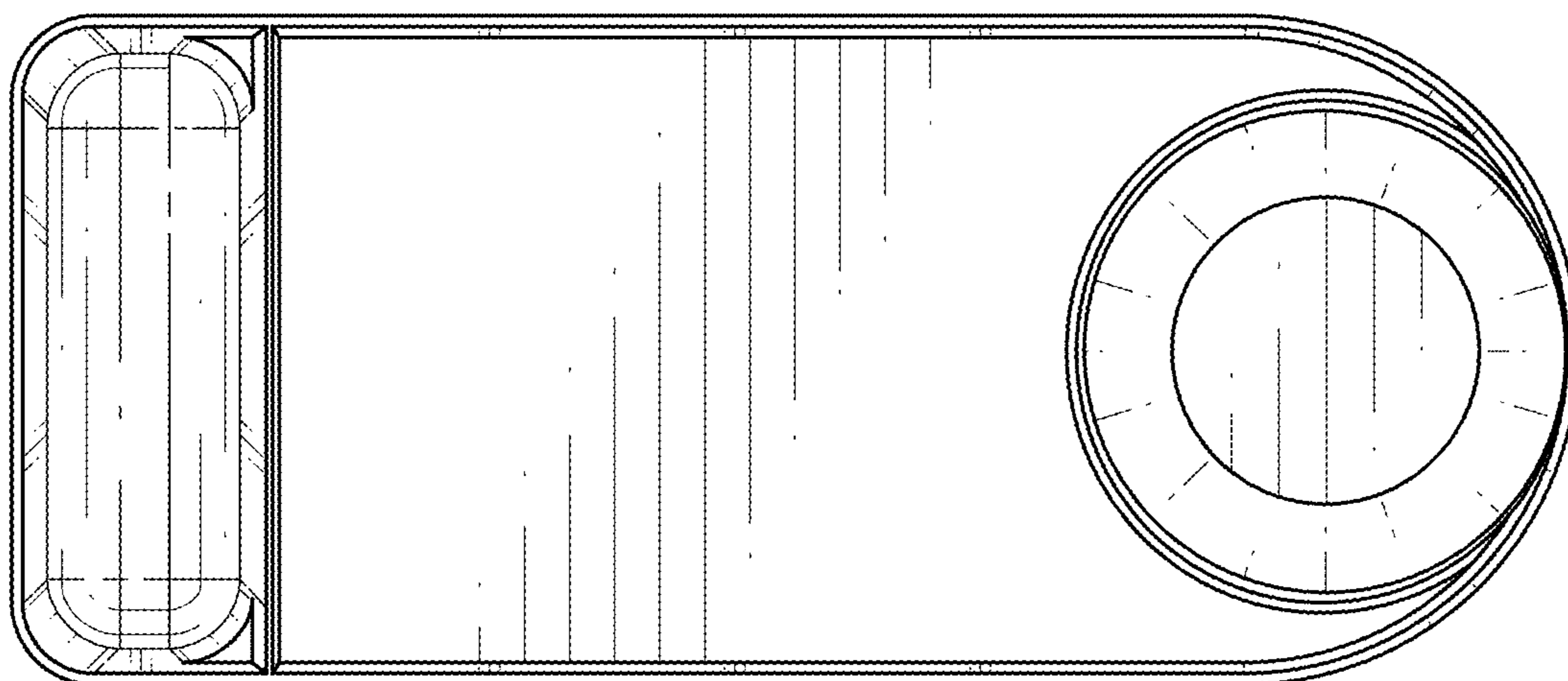


FIG. 6

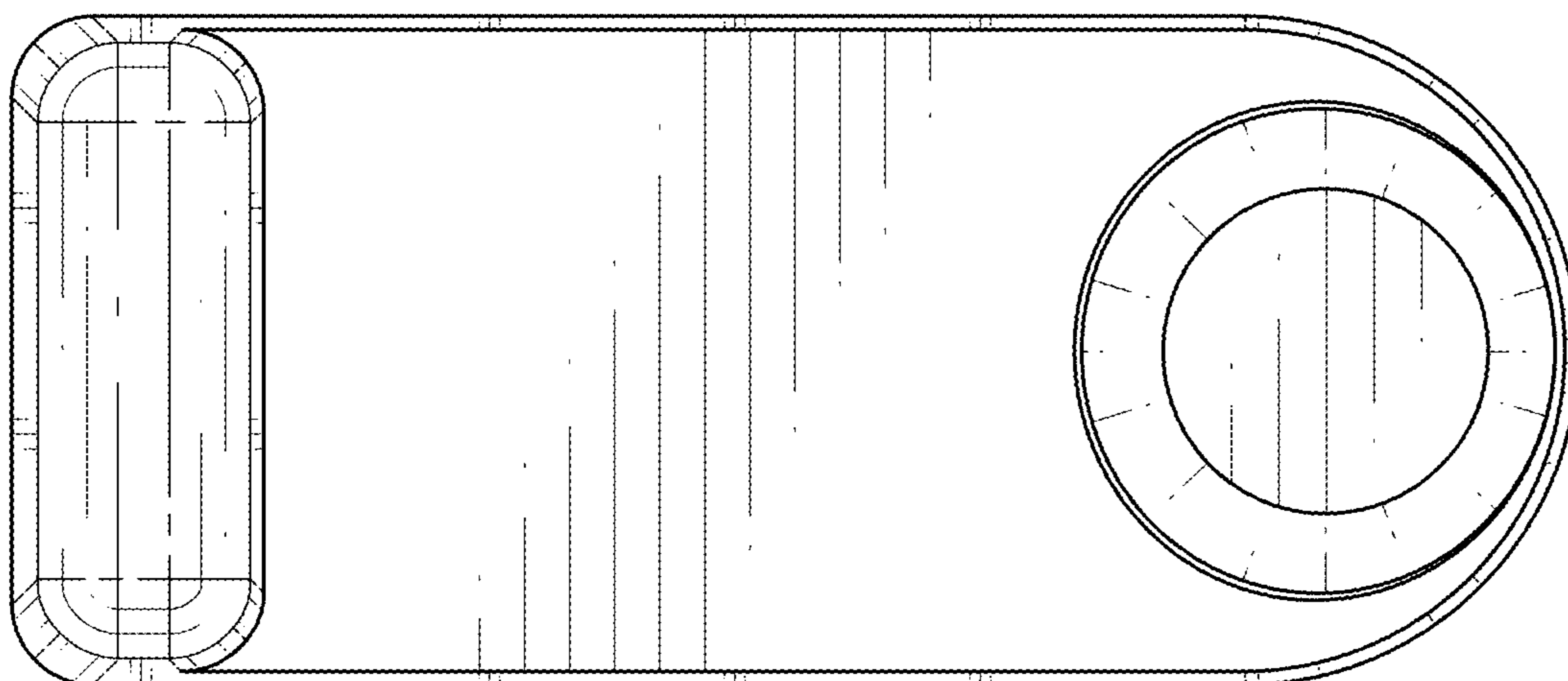


FIG. 7