



US00D948959S

(12) **United States Design Patent** (10) **Patent No.:** **US D948,959 S**  
**Tsai et al.** (45) **Date of Patent:** **\*\* Apr. 19, 2022**

(54) **CANNISTER**

(71) Applicant: **Mosa Solutions, Inc.**, Torrance, CA (US)

(72) Inventors: **Danny M. Tsai**, Torrance, CA (US);  
**Jeffrey M. Tsai**, Torrance, CA (US);  
**Michael Tsai**, Brooklyn, NY (US)

(73) Assignee: **Mosa Solutions, Inc.**, Torrance, CA (US)

(\*\*) Term: **15 Years**

(21) Appl. No.: **29/691,584**

(22) Filed: **May 17, 2019**

(51) **LOC (13) Cl.** ..... **09-02**

(52) **U.S. Cl.**  
USPC ..... **D7/615**; D7/396.1; D7/397; D9/435

(58) **Field of Classification Search**  
USPC ..... D7/601, 602, 605, 612, 615, 387, 396.1,  
D7/396.2, 397; D9/738, 772-780, 516,  
D9/549, 558, 559, 434, 435; D3/201,  
D3/202, 203.2

CPC .. A47J 41/00; A47J 41/02; B65D 1/10; B65D  
21/00; B65D 41/04; B65D 43/02

See application file for complete search history.

(56) **References Cited**

**U.S. PATENT DOCUMENTS**

4,346,815	A *	8/1982	Raymor	.....	B65D 1/46 215/321
D267,071	S *	11/1982	Carlson	.....	D7/612
D278,121	S *	3/1985	Sussman	.....	D9/504
D335,428	S *	5/1993	Picozza	.....	D7/612
5,335,801	A *	8/1994	Lee	.....	B65D 51/002 215/249
5,409,128	A *	4/1995	Mitchell	.....	B65D 21/022 206/508
6,108,190	A *	8/2000	Nagasaki	.....	H01L 21/68757 361/234

D442,864	S *	5/2001	Davies	.....	D9/454
D467,131	S *	12/2002	Wright	.....	D7/615
D484,644	S *	12/2003	Noh	.....	D28/76
D491,312	S *	6/2004	Kim	.....	D28/61
D492,596	S *	7/2004	Miceli	.....	D9/435
D496,556	S *	9/2004	Skrocki	.....	D7/391
D499,552	S *	12/2004	Nissanoff	.....	D3/273
D515,928	S *	2/2006	Pace	.....	D9/504
D530,157	S *	10/2006	Bodum	.....	D7/603
D530,218	S *	10/2006	Burkemper	.....	D9/655
D555,835	S *	11/2007	Song	.....	D28/76

(Continued)

**OTHER PUBLICATIONS**

Air Tight Storage Container| posted at Amazon.com, posted on Jul. 22, 2019, © 1996-2021 Amazon.com, [online], [site visited Jul. 23, 2021 ]. Available from Internet, <URL:https://www.amazon.co.uk/Air-Tight-Food-Storage-Container/dp/B07VMZ21ZQ/> (Year: 2019 ).\*

*Primary Examiner* — Andrew Kerr

(74) *Attorney, Agent, or Firm* — Rosenthal IP Law;  
Lawrence Rosenthal

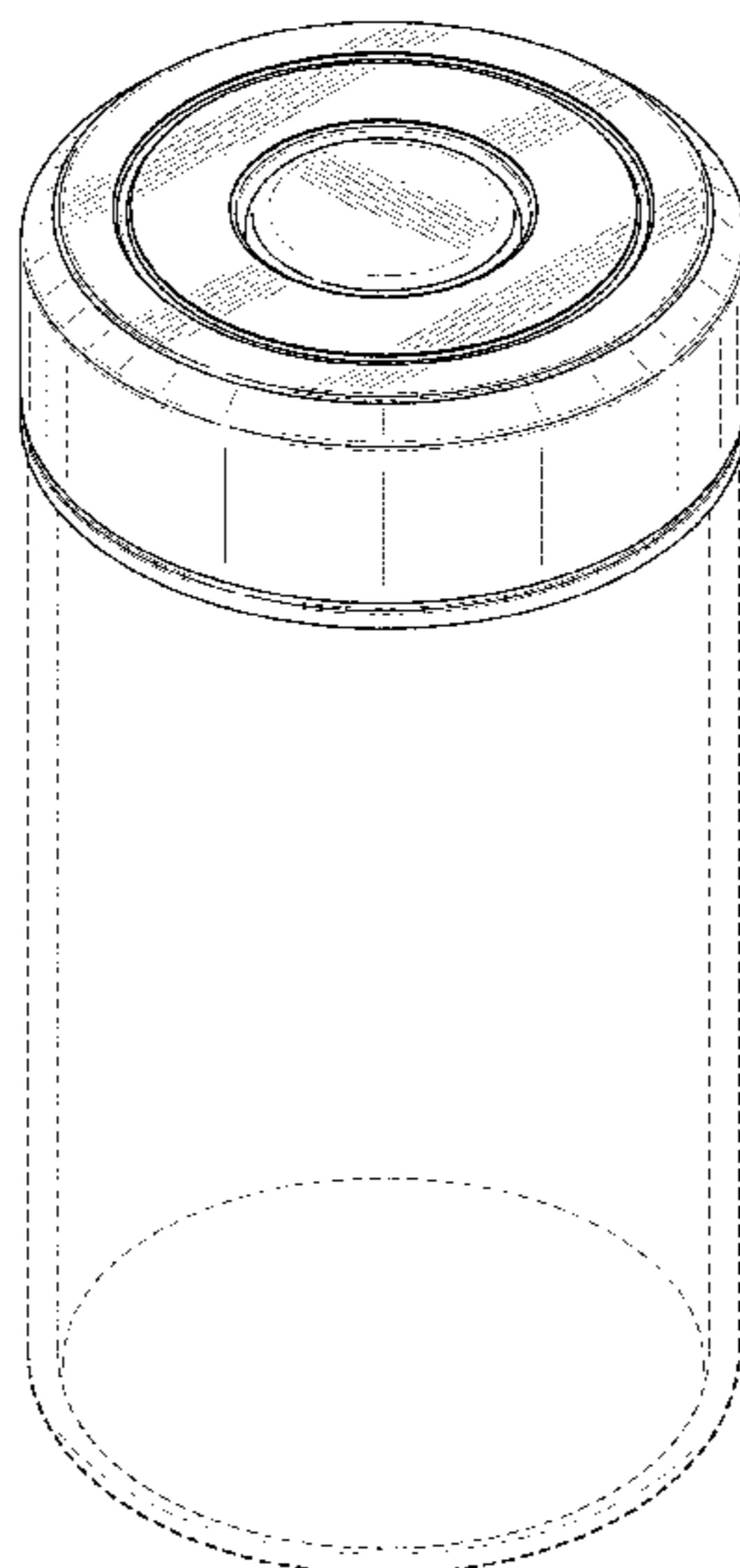
(57) **CLAIM**

We claim the ornamental design for a cannister, as shown and described.

**DESCRIPTION**

FIG. 1 is an upper perspective view of a cannister, showing our new design;  
FIG. 2 is a lower perspective view thereof;  
FIG. 3 is a front elevational view thereof, the back elevational view being identical;  
FIG. 4 is a left elevational view thereof, the right elevational view being identical;  
FIG. 5 is a top plan view thereof; and,  
FIG. 6 is a bottom plan view thereof.  
The broken lines in the drawings depict portions of the cannister that form no part of the claimed design.

**1 Claim, 5 Drawing Sheets**



(56)

**References Cited**

U.S. PATENT DOCUMENTS

D563,733	S *	3/2008	Wang .....	D7/603
D581,809	S *	12/2008	Wichowski .....	D9/504
D589,368	S *	3/2009	Abolfazlian .....	D9/772
D590,272	S *	4/2009	Abolfazlian .....	D9/772
D591,589	S *	5/2009	Myers .....	D7/615
D604,642	S *	11/2009	Di Robilant .....	D9/780
D629,252	S *	12/2010	Alviar .....	D7/510
D652,682	S *	1/2012	Eyal .....	D7/510
D655,134	S *	3/2012	Gilbert .....	D7/510
D660,084	S *	5/2012	Gilbert .....	D7/538
D675,105	S *	1/2013	Chen .....	D9/688
D695,138	S *	12/2013	Ball .....	D9/772
D696,964	S *	1/2014	Chen .....	D9/688
8,925,756	B2 *	1/2015	Tarapata .....	F16J 13/12 220/582
D740,029	S *	10/2015	Otto .....	D3/302
D758,879	S *	6/2016	Chen .....	D9/688
D759,480	S *	6/2016	Shugar .....	D9/436
D786,679	S *	5/2017	Barroso Miana .....	D9/504
D799,963	S *	10/2017	Akiyama .....	D9/454
D849,524	S *	5/2019	Gadd .....	D9/418
D917,292	S *	4/2021	Blomberg .....	D9/504
D918,040	S *	5/2021	Blomberg .....	D9/504

\* cited by examiner

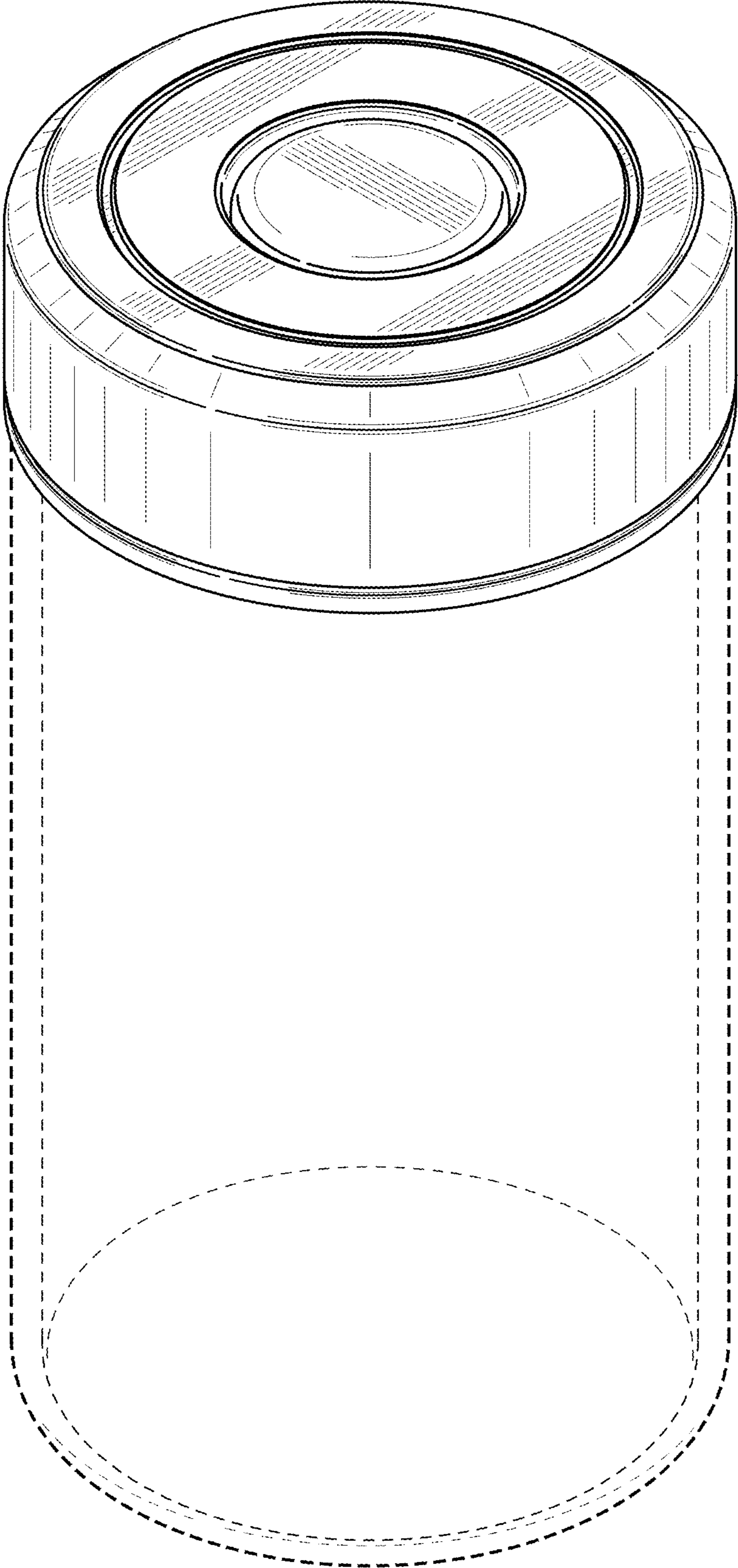


FIG. 1

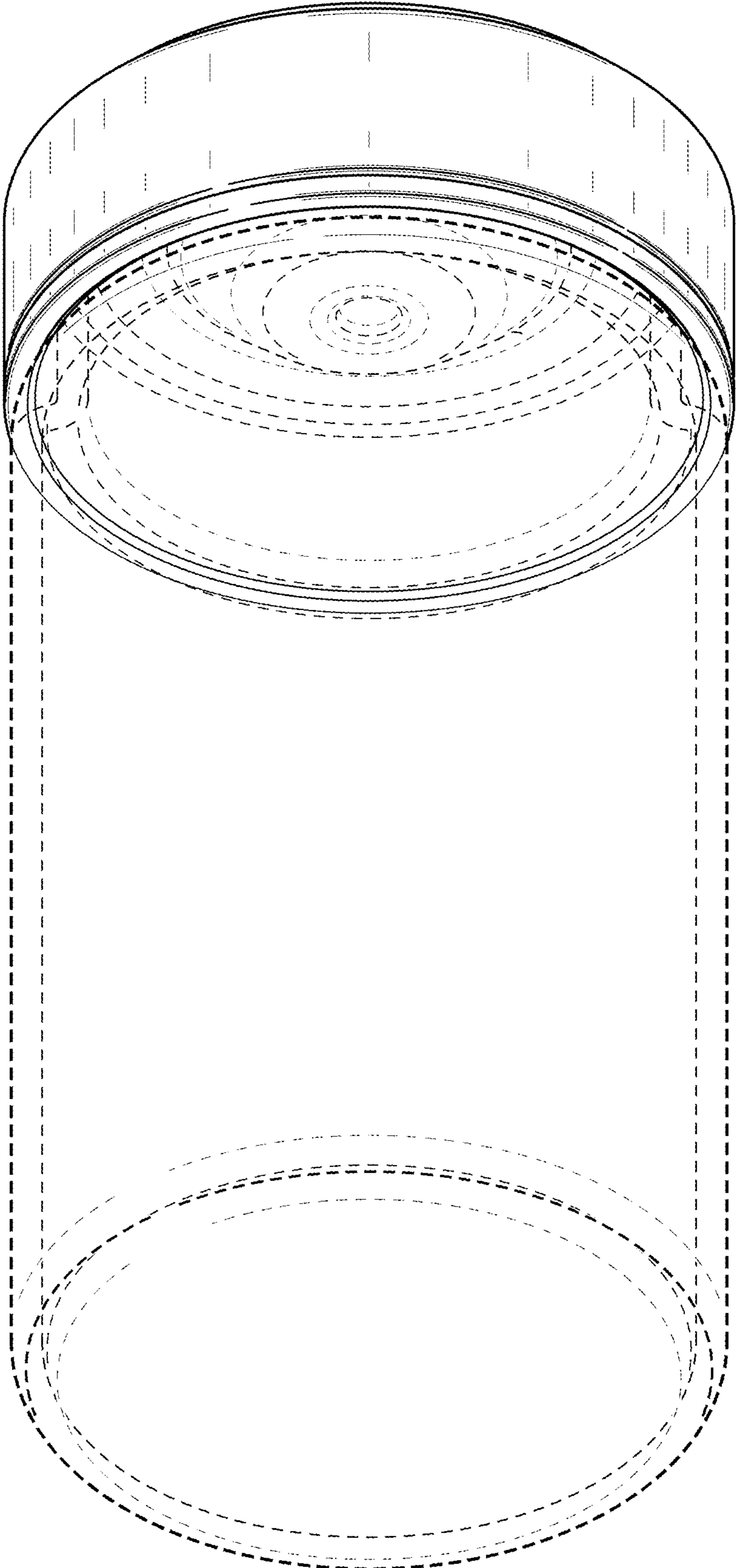


FIG. 2

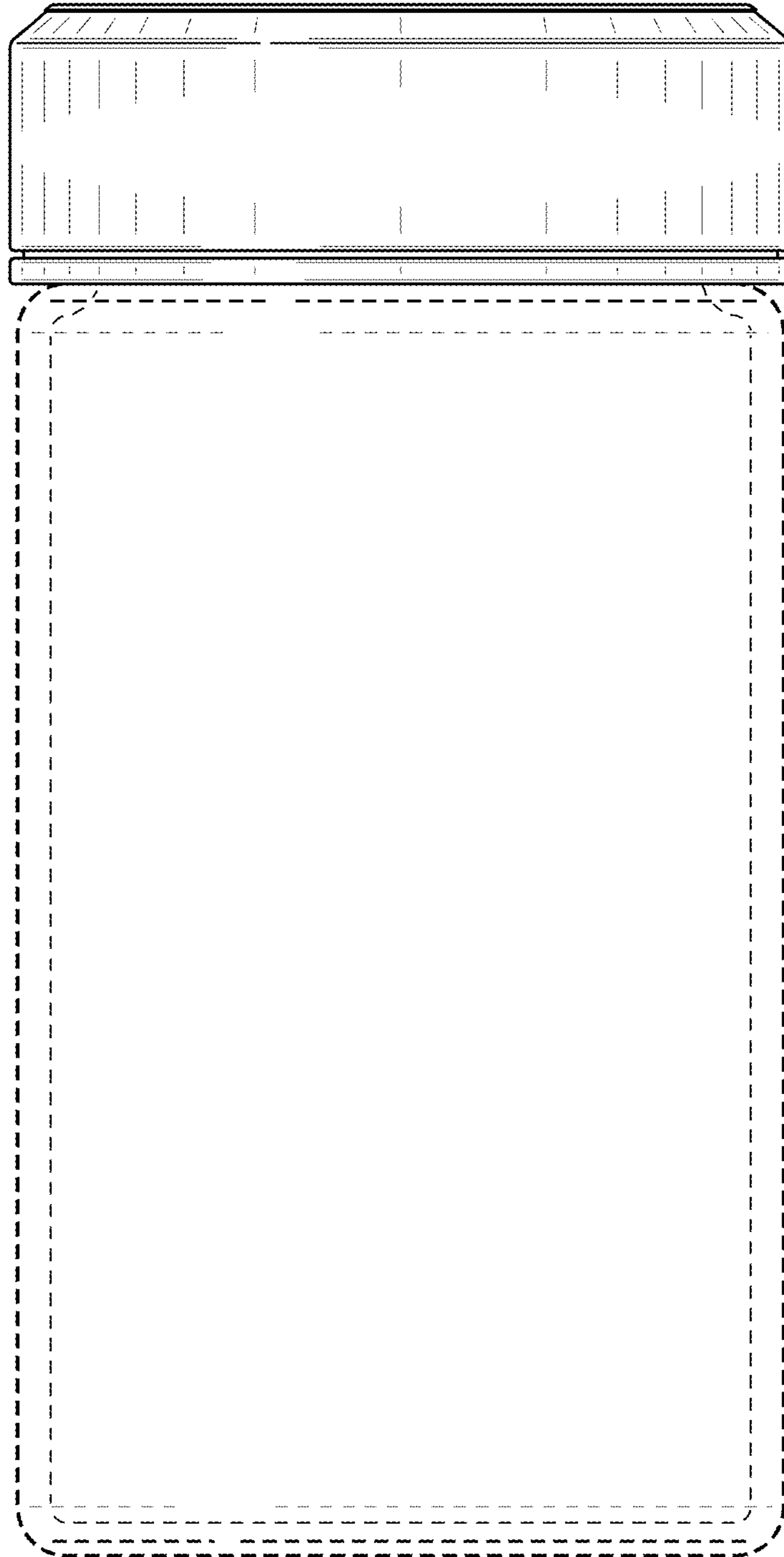


FIG. 3

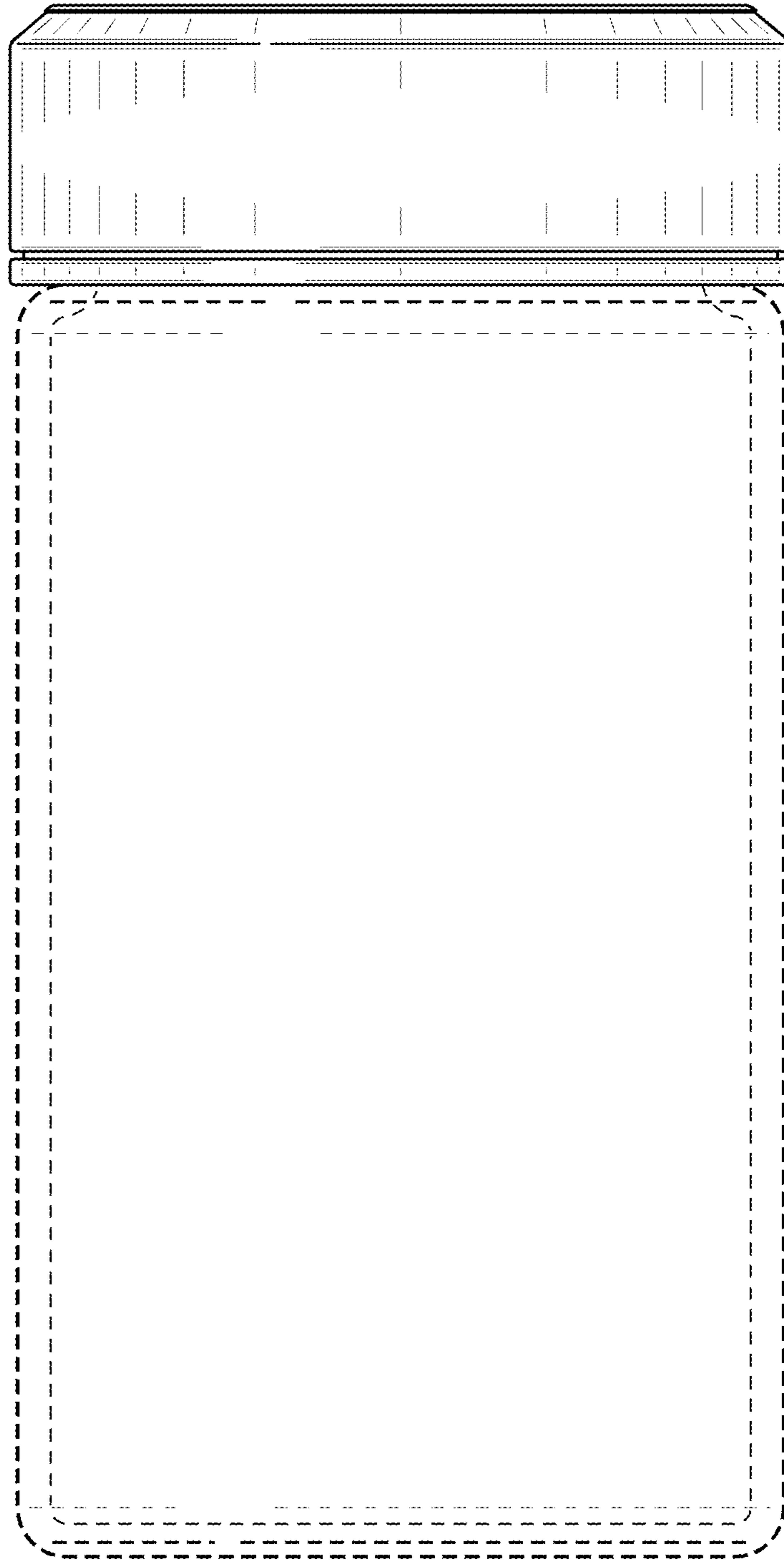


FIG. 4

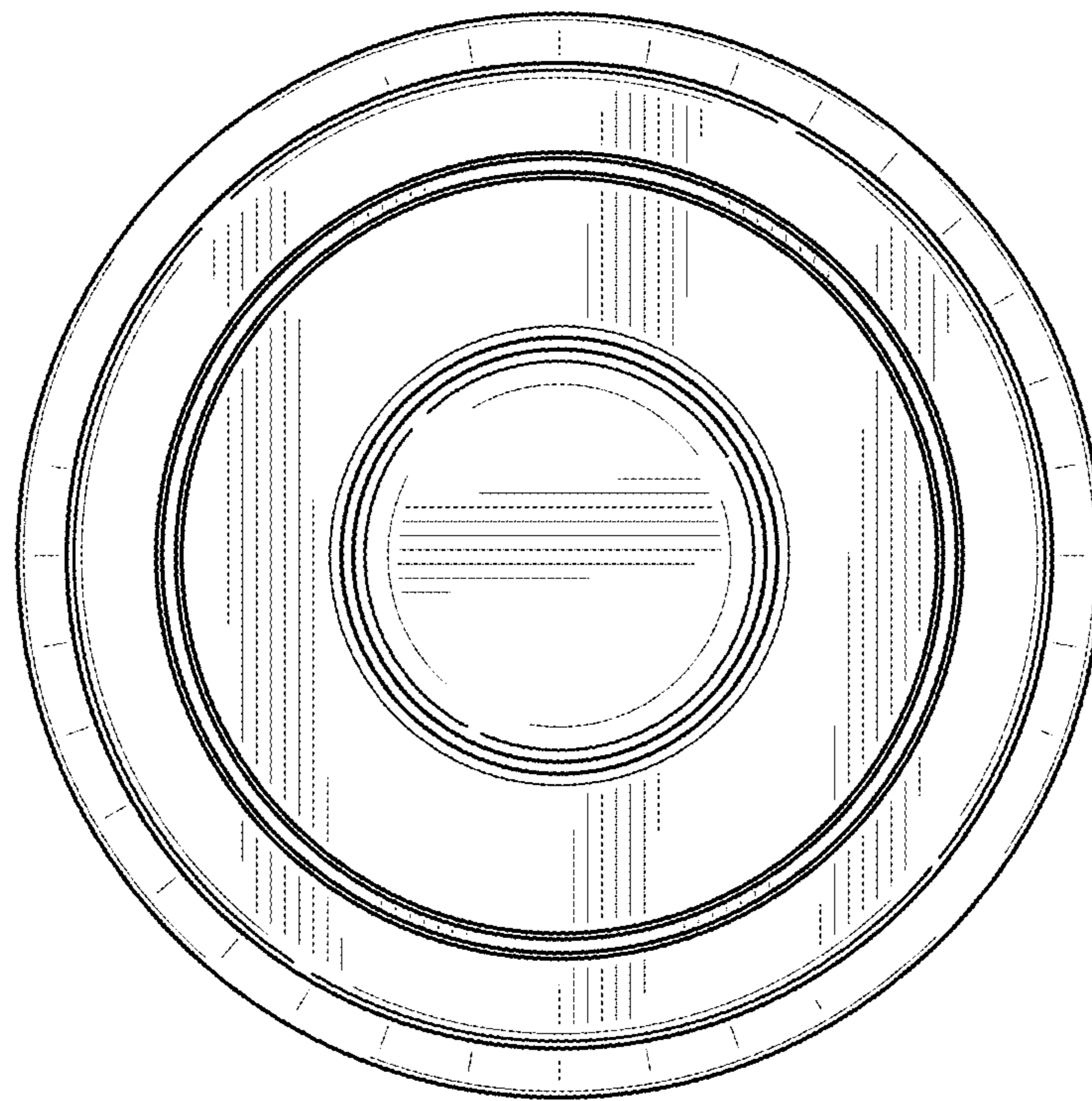


FIG. 5

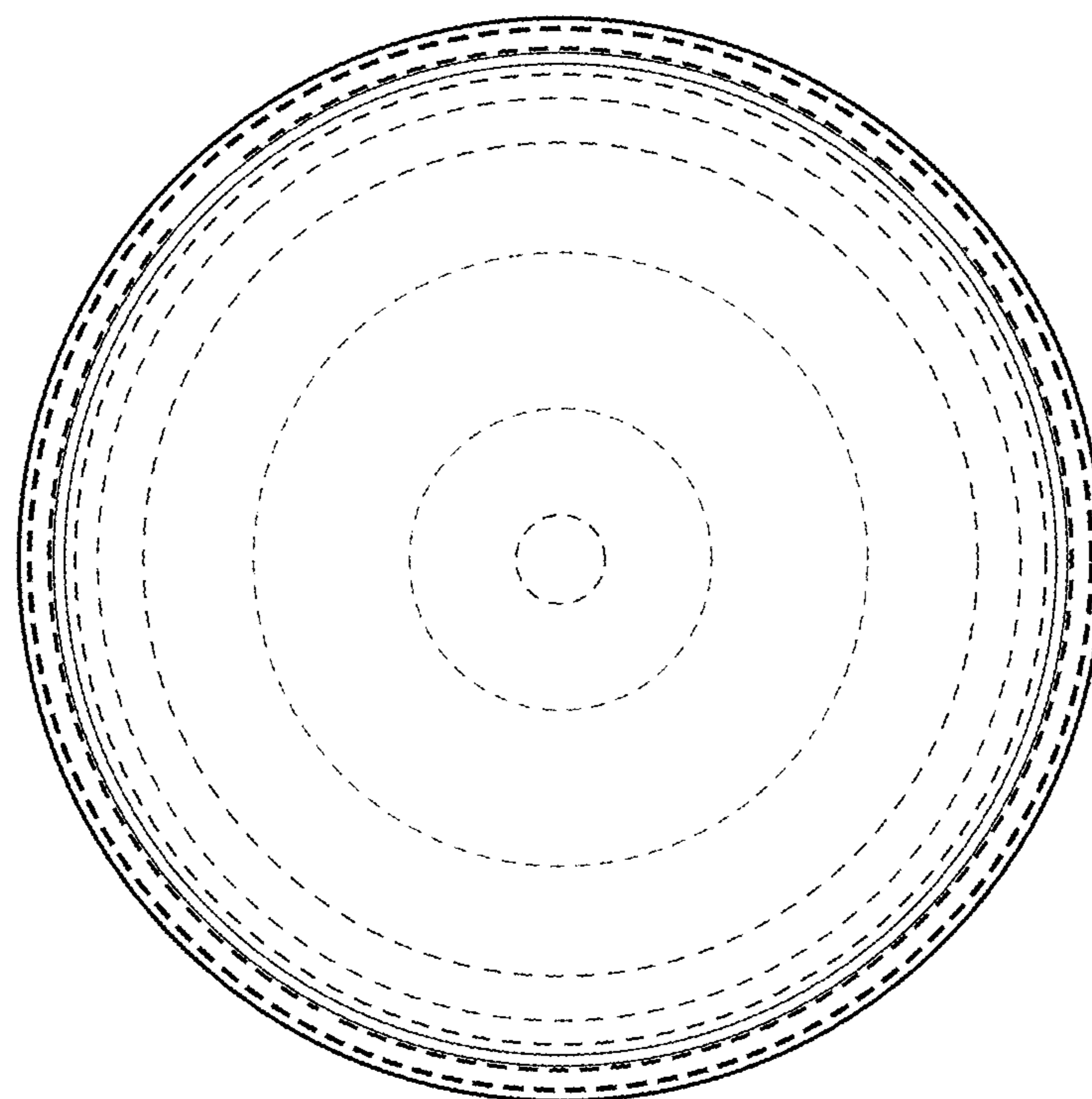


FIG. 6