



US00D948958S

(12) **United States Design Patent** (10) **Patent No.:** **US D948,958 S**  
**Tsai et al.** (45) **Date of Patent:** **\*\* \*Apr. 19, 2022**

- (54) **CHILD-PROOF CANNISTER**
- (71) Applicant: **Mosa Solutions, Inc.**, Torrance, CA (US)
- (72) Inventors: **Danny M. Tsai**, Torrance, CA (US);  
**Jeffrey M. Tsai**, Torrance, CA (US);  
**Michael Tsai**, Brooklyn, NY (US)
- (73) Assignee: **Mosa Solutions, Inc.**, Torrance, CA (US)

- D570,300 S \* 6/2008 Weinberg ..... D13/174
- D595,570 S \* 7/2009 Moretti ..... D9/434
- D675,105 S \* 1/2013 Chen ..... D9/688
- D689,827 S \* 9/2013 Mayer ..... D13/171
- D720,995 S \* 1/2015 Chen ..... D9/688
- D758,879 S \* 6/2016 Chen ..... D9/688
- D784,138 S \* 4/2017 Kim ..... D9/503
- D786,679 S \* 5/2017 Barroso Miana ..... D9/504
- D789,213 S \* 6/2017 Chen ..... D9/690
- D859,087 S \* 9/2019 Tarbutton ..... D7/607
- D878,868 S \* 3/2020 Pisarevsky ..... D7/511
- D894,738 S \* 9/2020 Hexemer ..... D9/456

(Continued)

(\* ) Notice: This patent is subject to a terminal disclaimer.

(\*\*) Term: **15 Years**

(21) Appl. No.: **29/691,583**

(22) Filed: **May 17, 2019**

(51) **LOC (13) Cl.** ..... **09-02**

(52) **U.S. Cl.**  
USPC ..... **D7/615**

(58) **Field of Classification Search**  
 USPC ..... D7/602, 612, 615, 387, 397, 401.1, 509,  
 D7/511, 523, 300, 300.1, 590, 591, 597,  
 D7/598; D9/763, 772, 516, 519, 549,  
 D9/550, 559, 564, 434, 435, 436, 439,  
 D9/442, 454, 529, 537, 538, 544, 545;  
 D3/201, 203.2; D13/158, 173, 174  
 CPC ..... B65D 41/04; B65D 41/56; B65D 43/02;  
 B65D 51/18; B65D 39/00; A45F 3/16;  
 A47J 43/27; A47J 41/00; A47J 41/02  
 See application file for complete search history.

(56) **References Cited**

U.S. PATENT DOCUMENTS

- D300,528 S \* 4/1989 Drane ..... D13/171
- D305,022 S \* 12/1989 Hallgren ..... D13/171
- D312,769 S \* 12/1990 Bisbing ..... D8/338
- D437,556 S \* 2/2001 Holliday ..... D9/436
- D541,170 S \* 4/2007 Bloc ..... D9/692

OTHER PUBLICATIONS

Canlock Stash Jar | posted at Youtube.com, posted on Apr. 12, 2019  
© 2005-2021 youtube.com, [online], [site visited Jul. 30, 2021].  
Available from Internet, <URL:https://www.youtube.com/watch?v=T0scAQWxoel> (Year: 2019).\*

Primary Examiner — Andrew Kerr

(74) Attorney, Agent, or Firm — Rosenthal IP Law;  
Lawrence Rosenthal

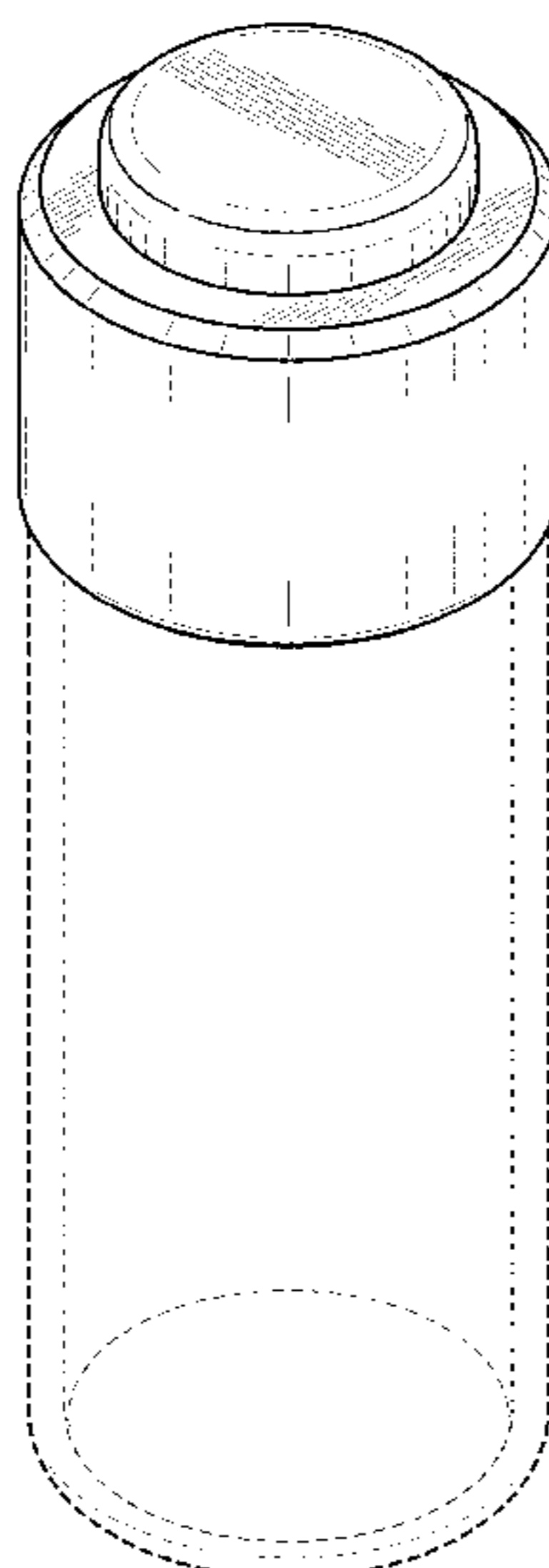
(57) **CLAIM**

We claim the ornamental design for a child-proof cannister, as shown and described.

**DESCRIPTION**

FIG. 1 is an upper perspective view of a child-proof cannister, showing our new design;  
 FIG. 2 is a lower perspective view thereof;  
 FIG. 3 is a front elevational view thereof, the back elevational view being identical;  
 FIG. 4 is a left elevational view thereof, the right elevational view being identical;  
 FIG. 5 is a top plan view thereof; and,  
 FIG. 6 is a bottom plan view thereof.  
 The broken lines in the drawings depict portions of the child-proof cannister that form no part of the claimed design.

**1 Claim, 3 Drawing Sheets**



(56)

**References Cited**

U.S. PATENT DOCUMENTS

10,758,023	B1 *	9/2020	Cha .....	A45D 33/003
D922,152	S *	6/2021	Seiders .....	D7/608
D923,875	S *	6/2021	Cha .....	D28/76
D924,822	S *	7/2021	Bruchschmidt .....	D13/174
2013/0343798	A1 *	12/2013	Delage .....	A45D 40/265
				401/81
2014/0174965	A1 *	6/2014	Herling .....	A47J 31/20
				206/216
2016/0016700	A1 *	1/2016	Stevens .....	B65D 3/04
				220/258.5

\* cited by examiner

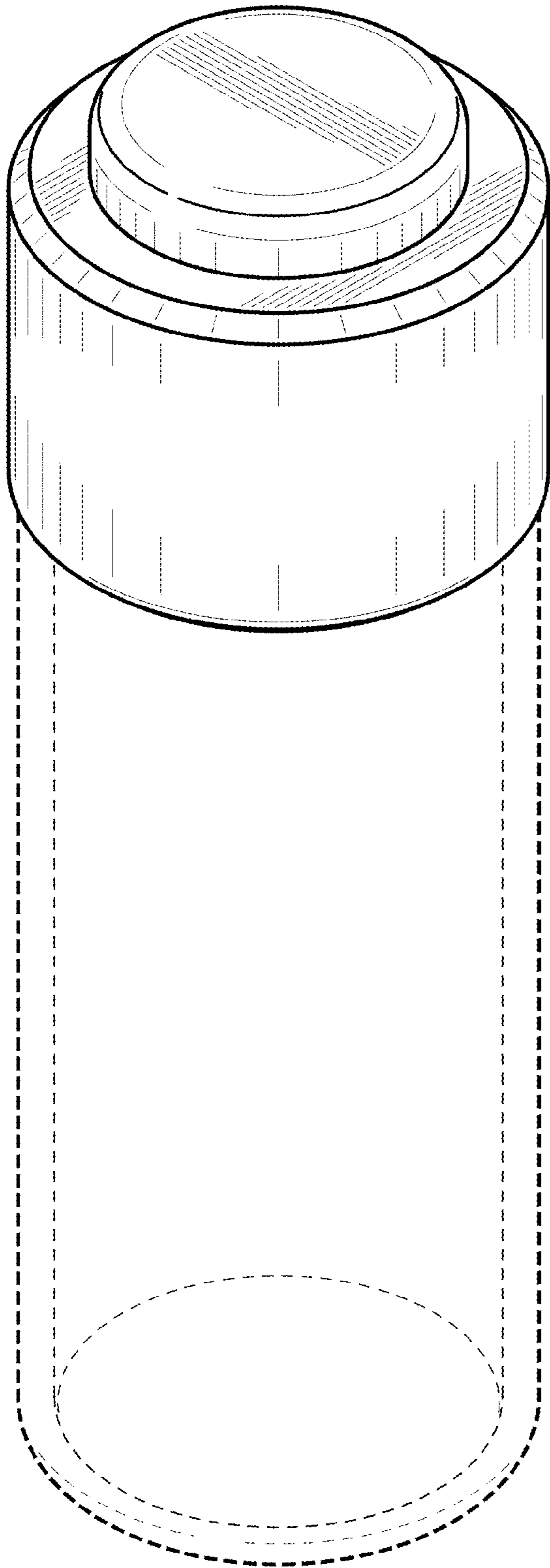


FIG. 1

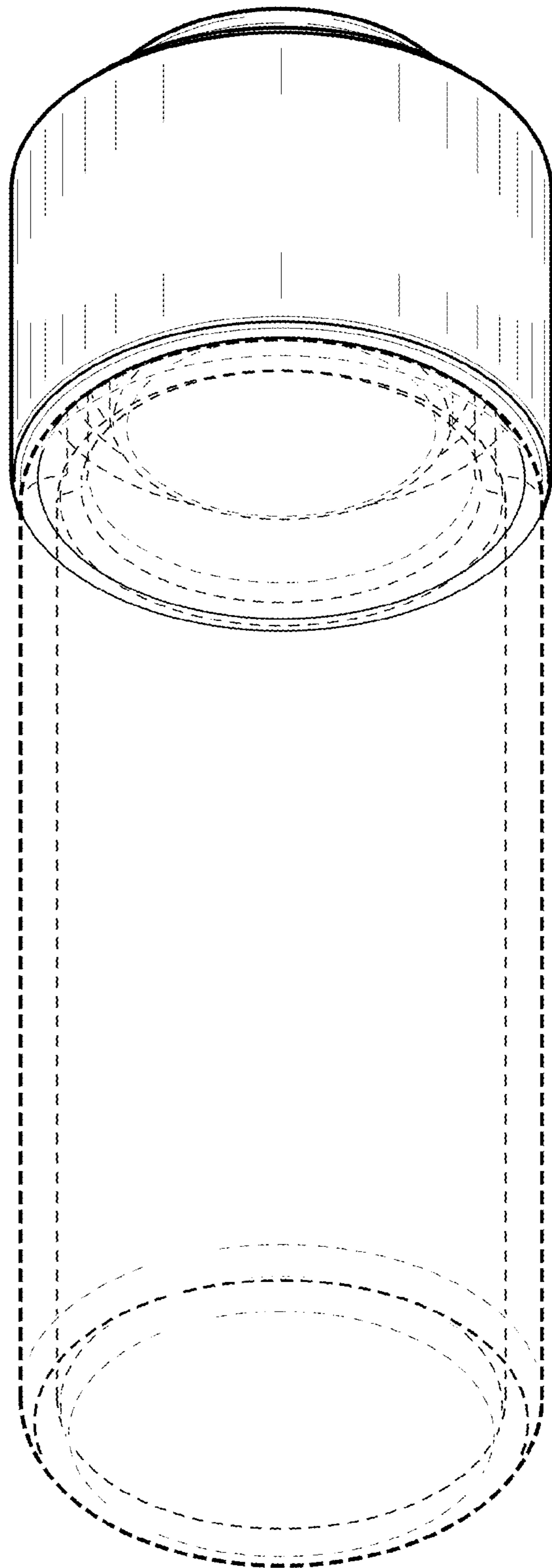


FIG. 2

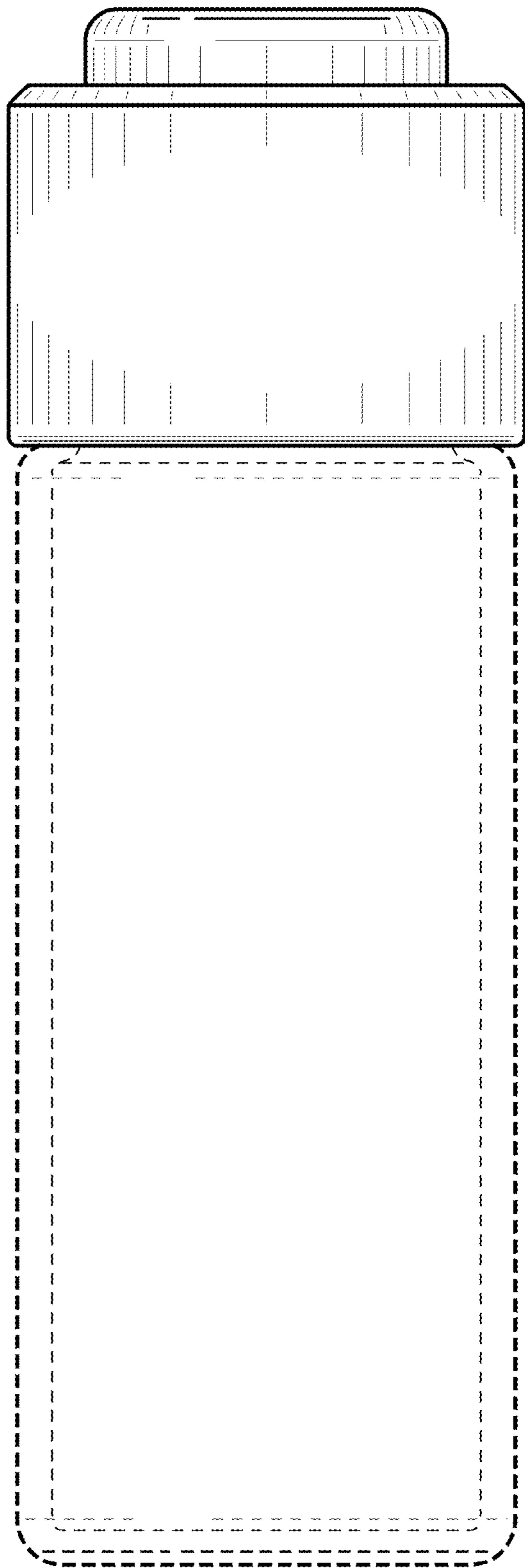


FIG. 3

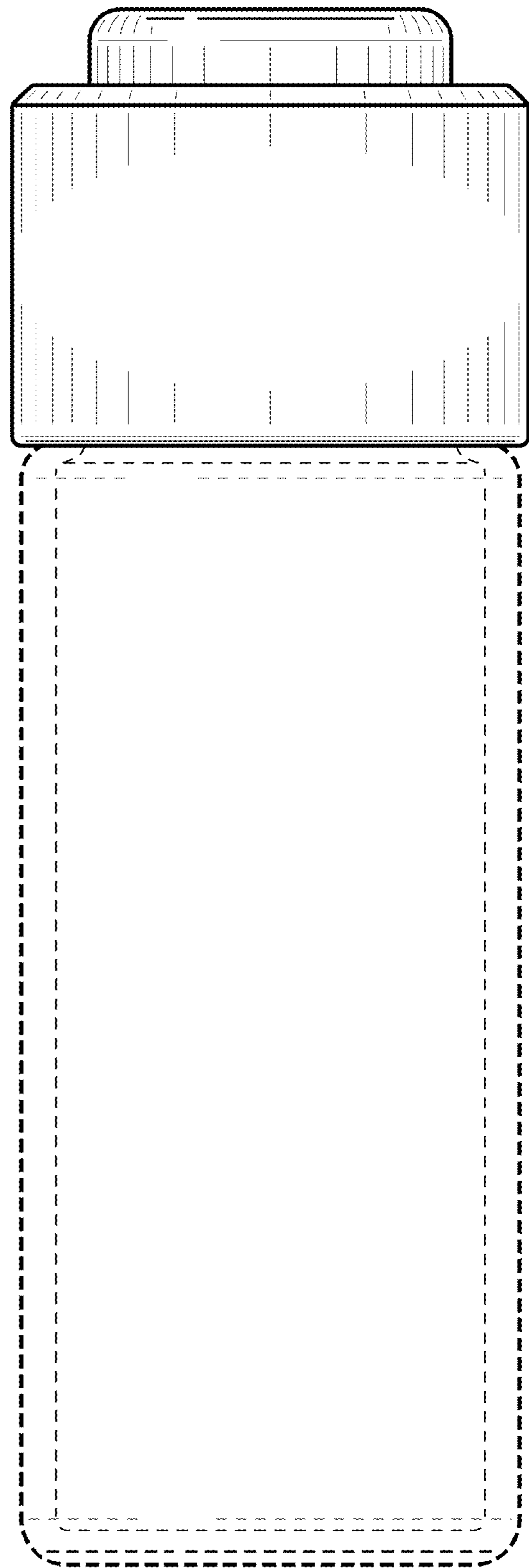


FIG. 4

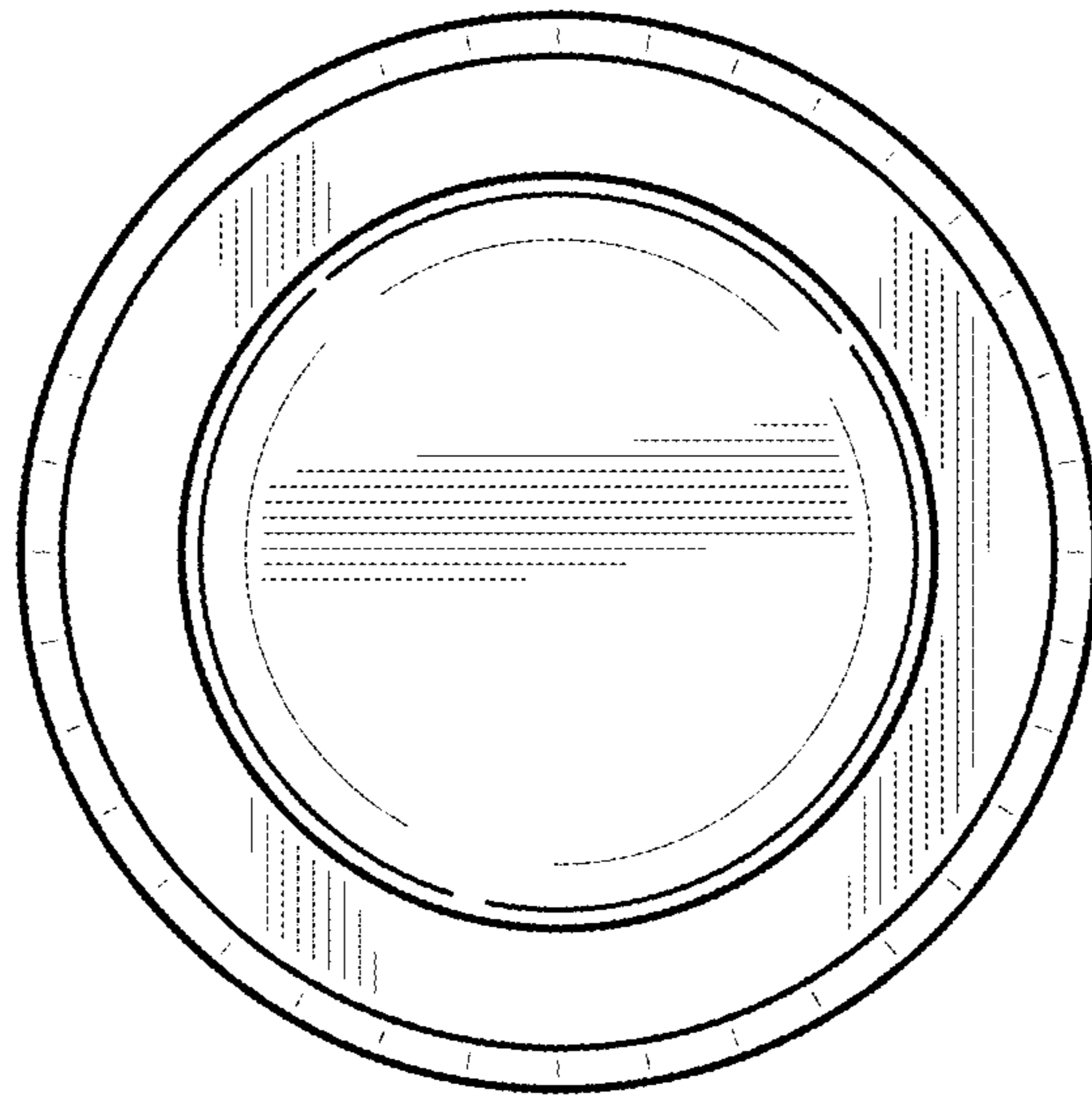


FIG. 5

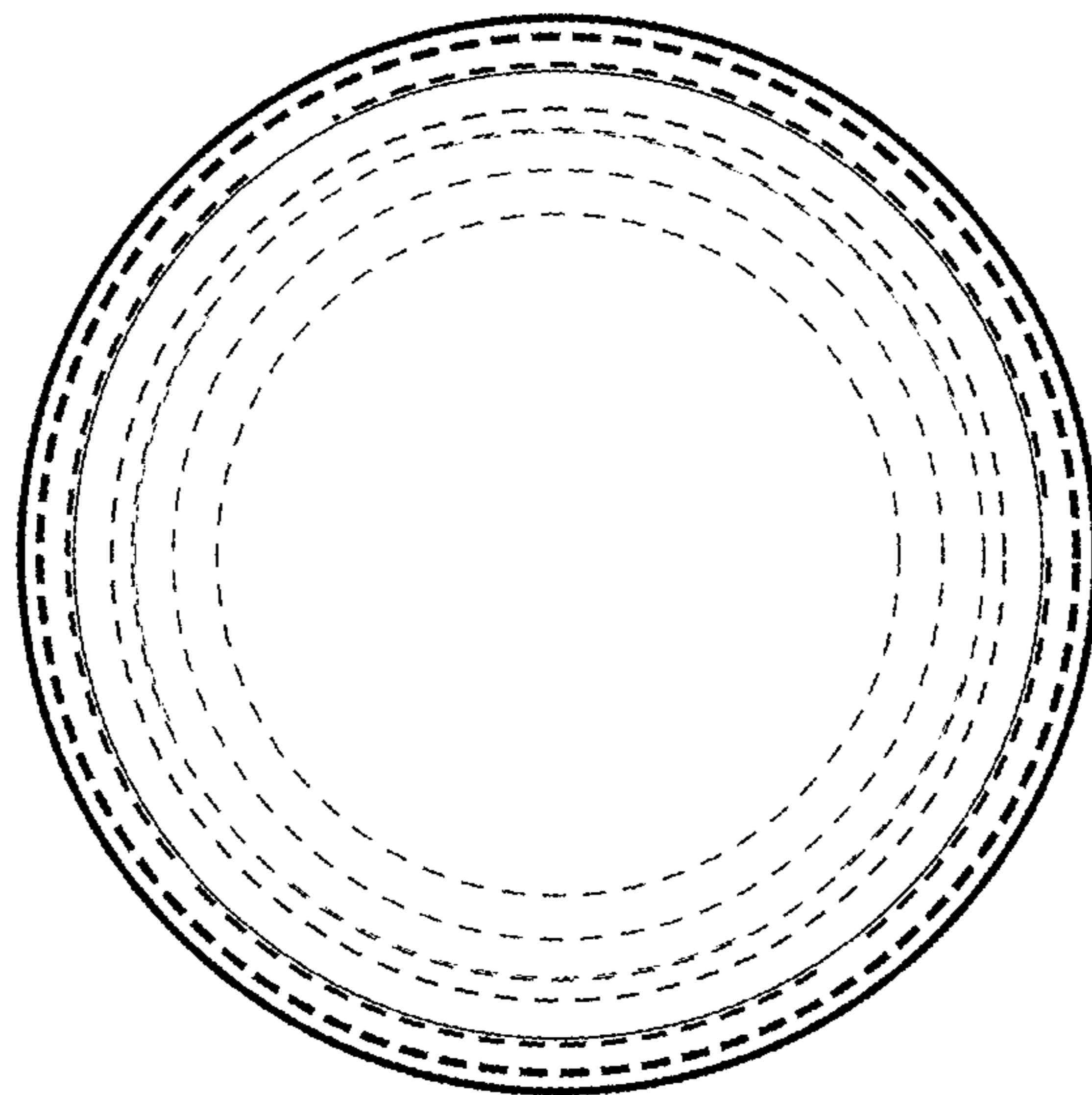


FIG. 6