



US00D948956S

(12) **United States Design Patent** (10) **Patent No.:** **US D948,956 S**
Beaudette et al. (45) **Date of Patent:** **** Apr. 19, 2022**

(54) **CANISTER**
(71) Applicant: **Goat Outdoor, Inc.**, Houston, TX (US)
(72) Inventors: **Sean Beaudette**, Pittsburgh, PA (US);
John Puskar-Pasewicz, Pittsburgh, PA
(US); **Joe McCarry**, Pittsburgh, PA
(US)
(73) Assignee: **Goat Outdoor, Inc.**, Houston, TX (US)

D587,586 S * 3/2009 Patzak D9/446
D669,777 S * 10/2012 Brown D9/424
D839,052 S * 1/2019 Herling D7/511
D848,832 S * 5/2019 Blomberg D9/420
D869,955 S * 12/2019 Kilduff D9/560
D876,896 S * 3/2020 Wu D7/511
D881,691 S * 4/2020 Knobel D9/420
D906,618 S * 12/2020 Cant D34/1
2006/0043100 A1 * 3/2006 Johnson B29C 66/91221
220/839
2012/0085760 A1 * 4/2012 Yourist B29C 49/4278
220/200

(**) Term: **15 Years**

* cited by examiner

(21) Appl. No.: **29/710,775**

Primary Examiner — Andrew Kerr

(22) Filed: **Oct. 25, 2019**

(74) *Attorney, Agent, or Firm* — Schwartz Law Firm, P.C.

(51) **LOC (13) Cl.** **09-02**

(57) **CLAIM**

(52) **U.S. Cl.**
USPC **D7/612**

We claim the ornamental design for a canister, as shown and described.

(58) **Field of Classification Search**
USPC D7/509–511, 300, 300.1, 523, 538, 540,
D7/601, 602, 619.1; D9/516, 518, 523,
D9/434, 435, 440; D34/1, 11
CPC A47G 19/22; A47G 19/2266; A47G
19/2272; A54F 3/20; B65D 43/02; B65D
51/18; A47J 43/27
See application file for complete search history.

DESCRIPTION

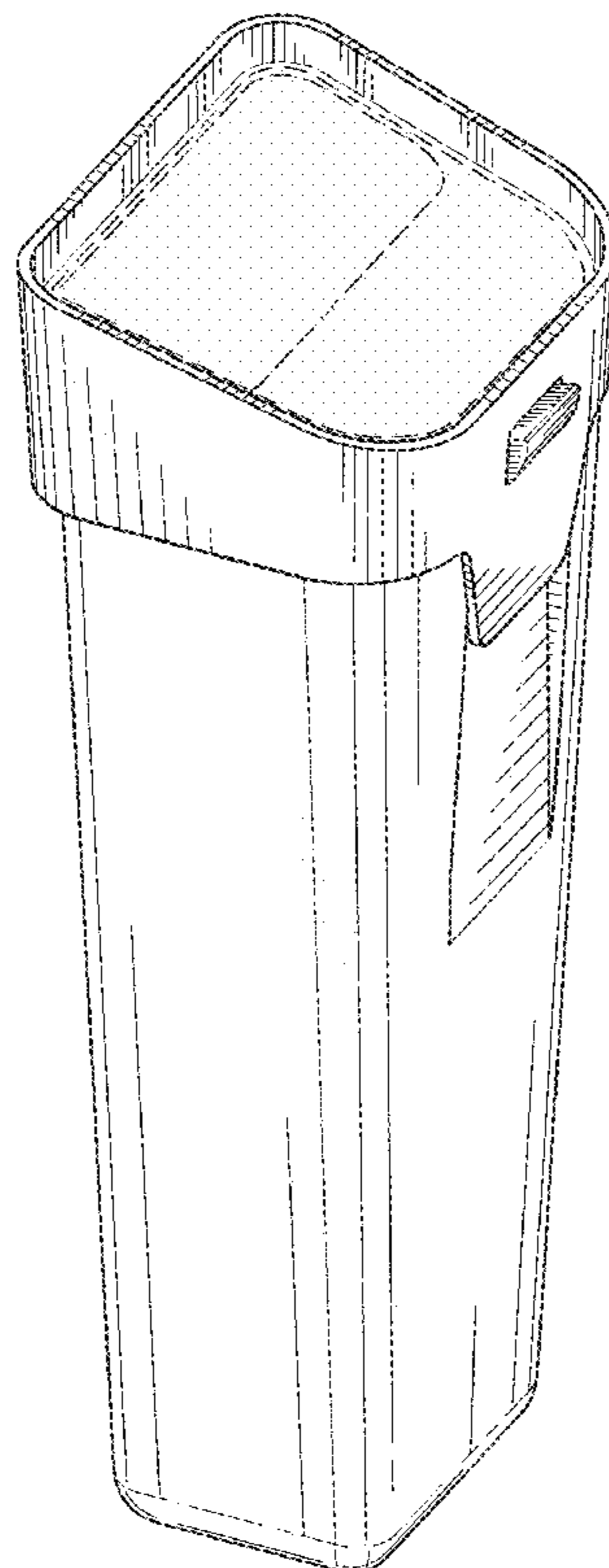
(56) **References Cited**

U.S. PATENT DOCUMENTS

D269,361 S * 6/1983 Marschak D3/302
D521,811 S * 5/2006 Yourist D7/615

FIG. 1 is a first perspective view of a canister, showing our new design;
FIG. 2 is a second perspective view of the canister;
FIG. 3 is a third perspective view of the canister;
FIG. 4 is a fourth perspective view of the canister;
FIG. 5 is a front view of the canister;
FIG. 6 is a rear view of the canister; and,
FIG. 7 is a top view of the canister.
The broken lines in the drawings depict portions of the canister that form no part of the claimed design.

1 Claim, 6 Drawing Sheets



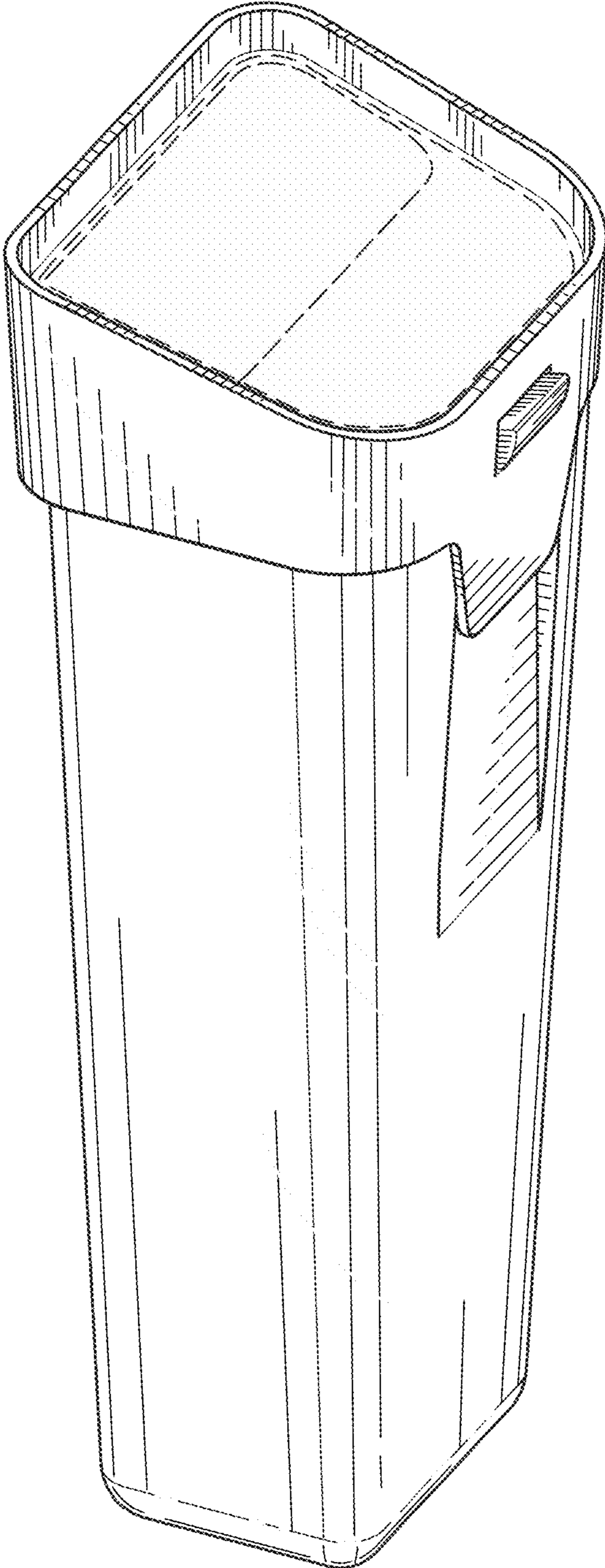


FIG. 1

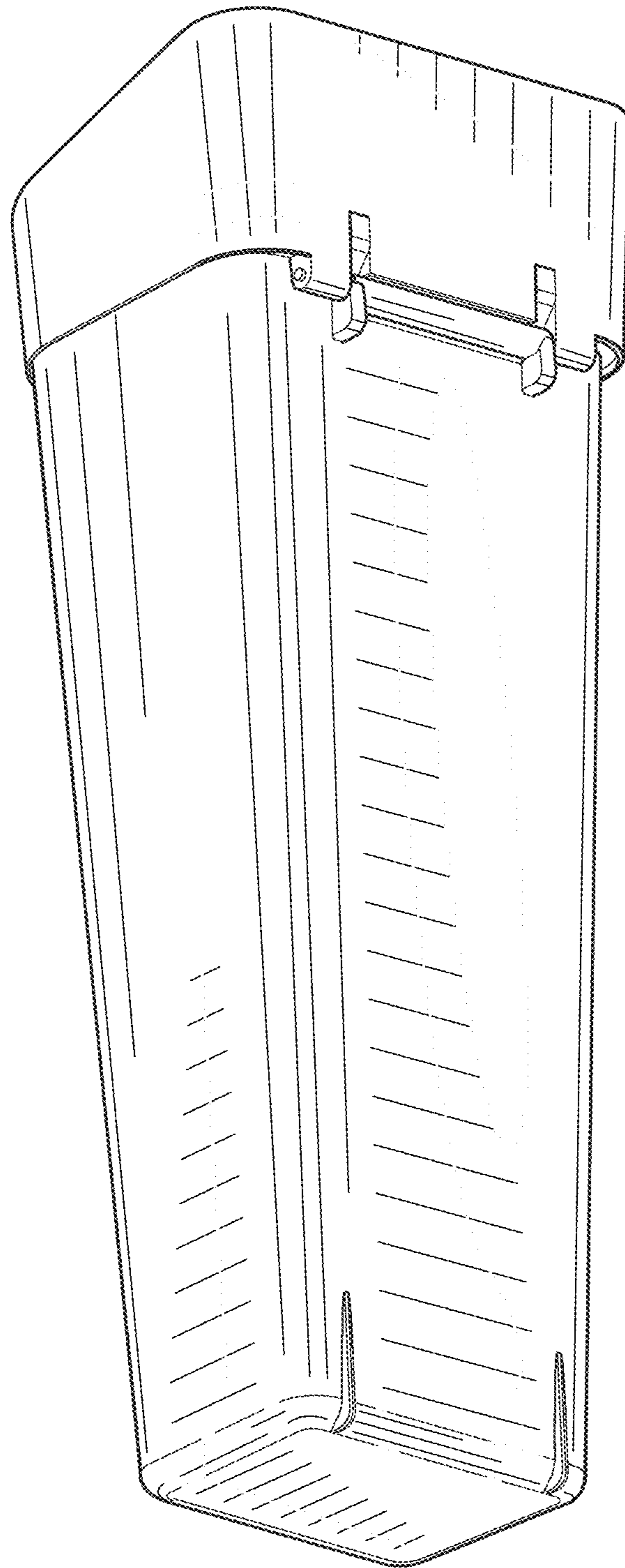


FIG. 2

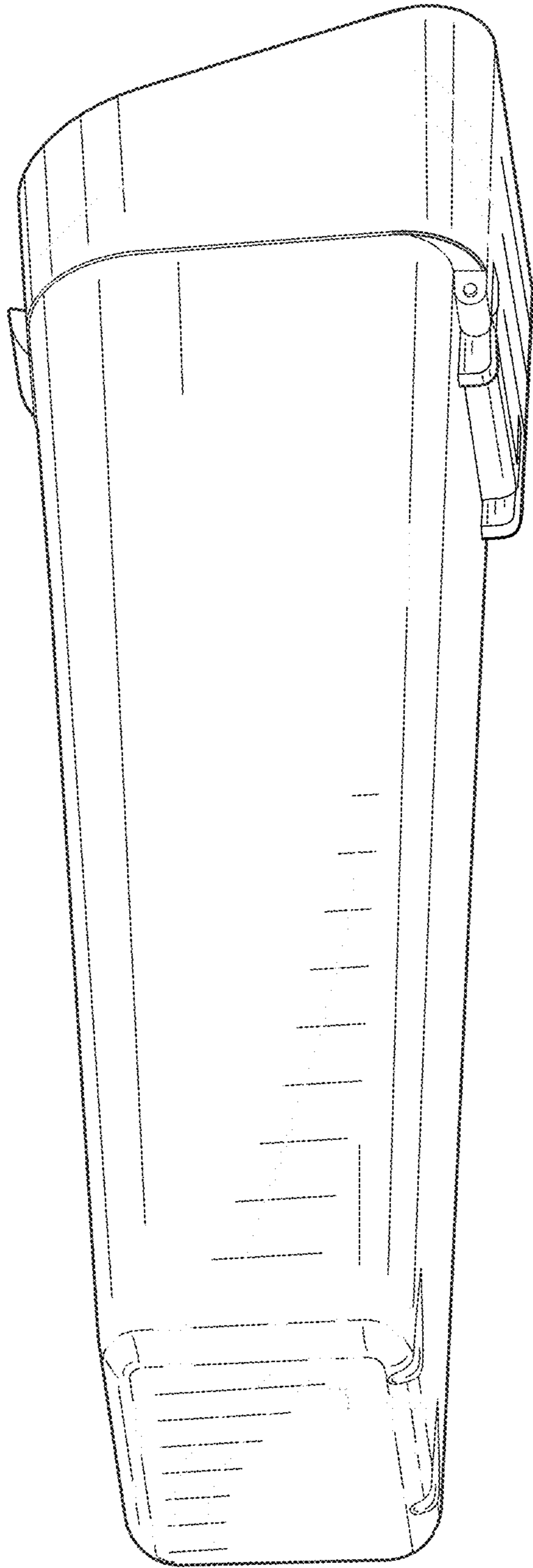


FIG. 3

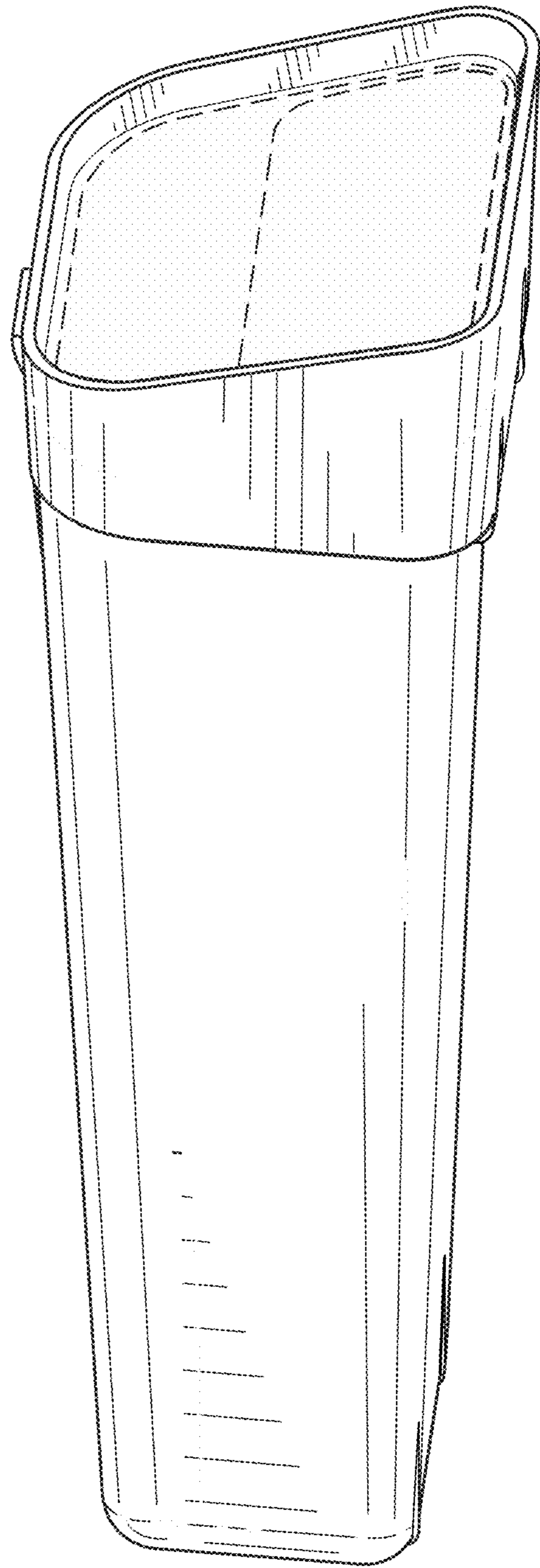


FIG. 4

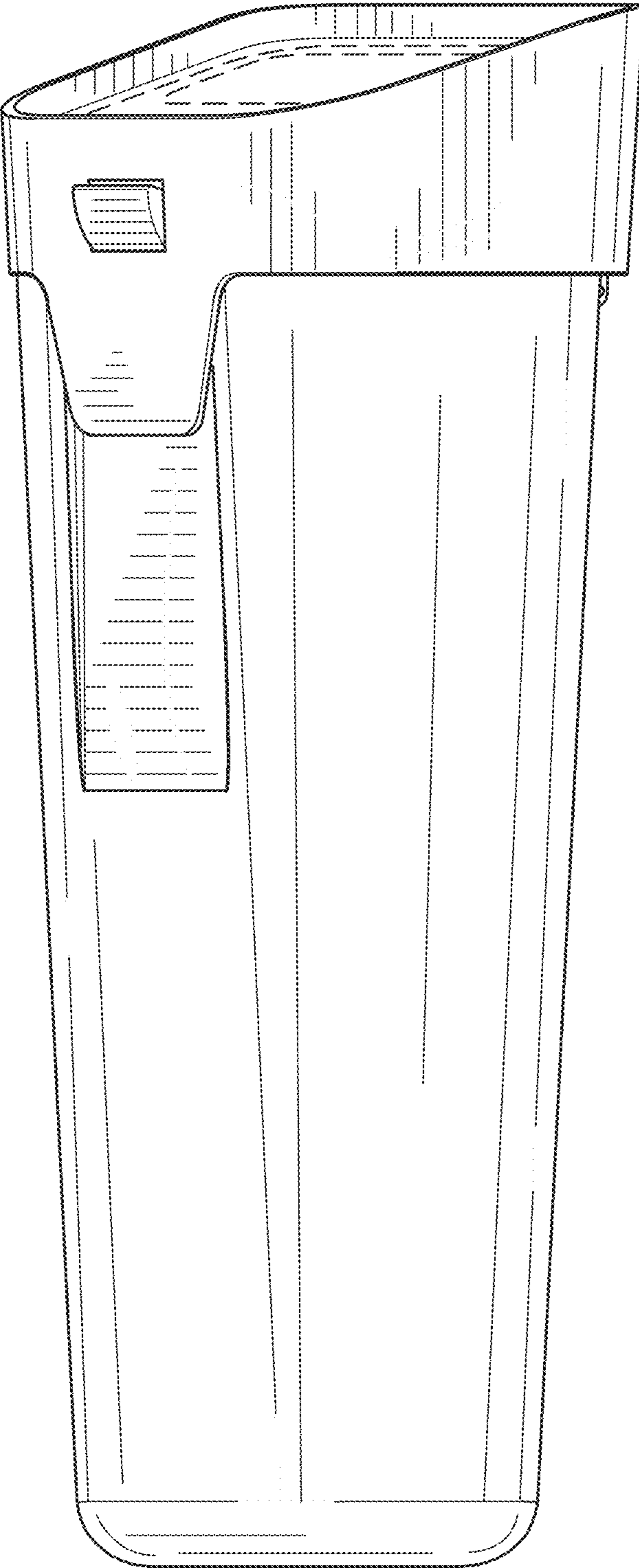


FIG. 5

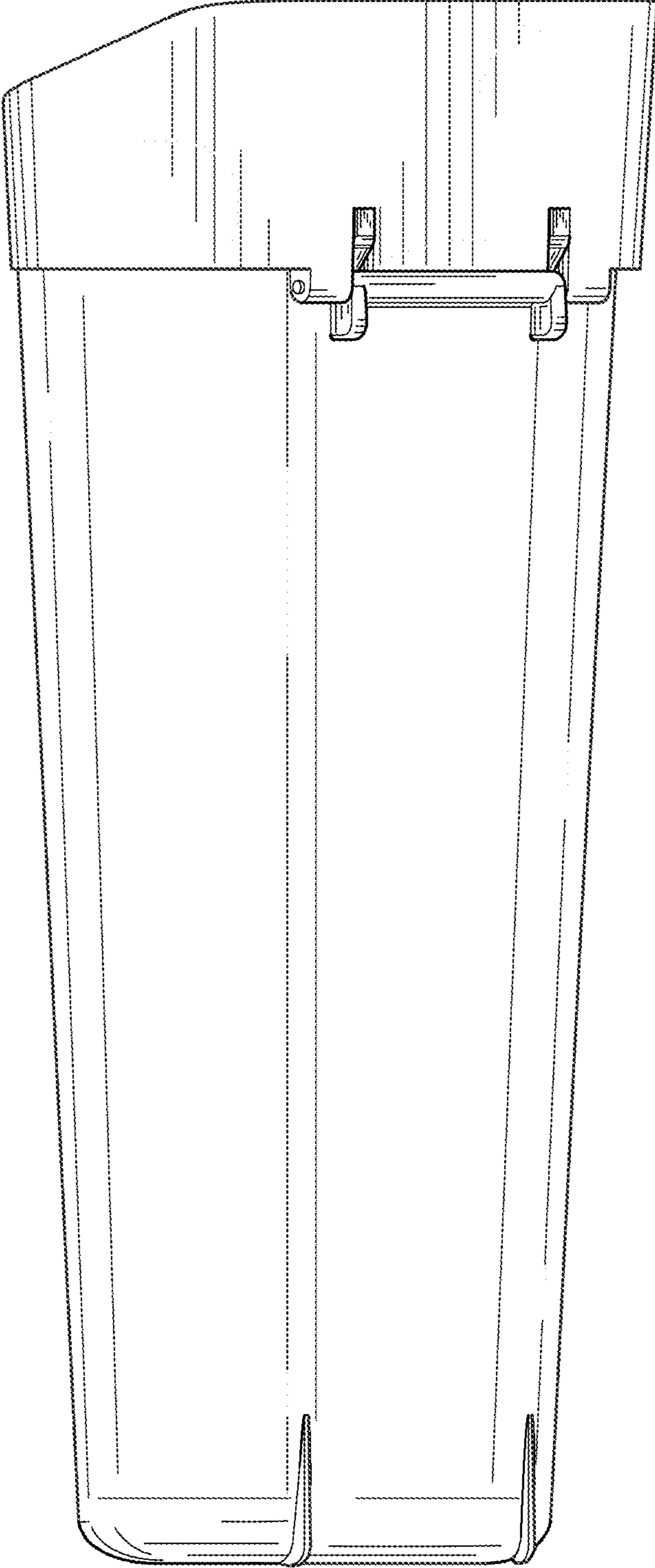


FIG. 6

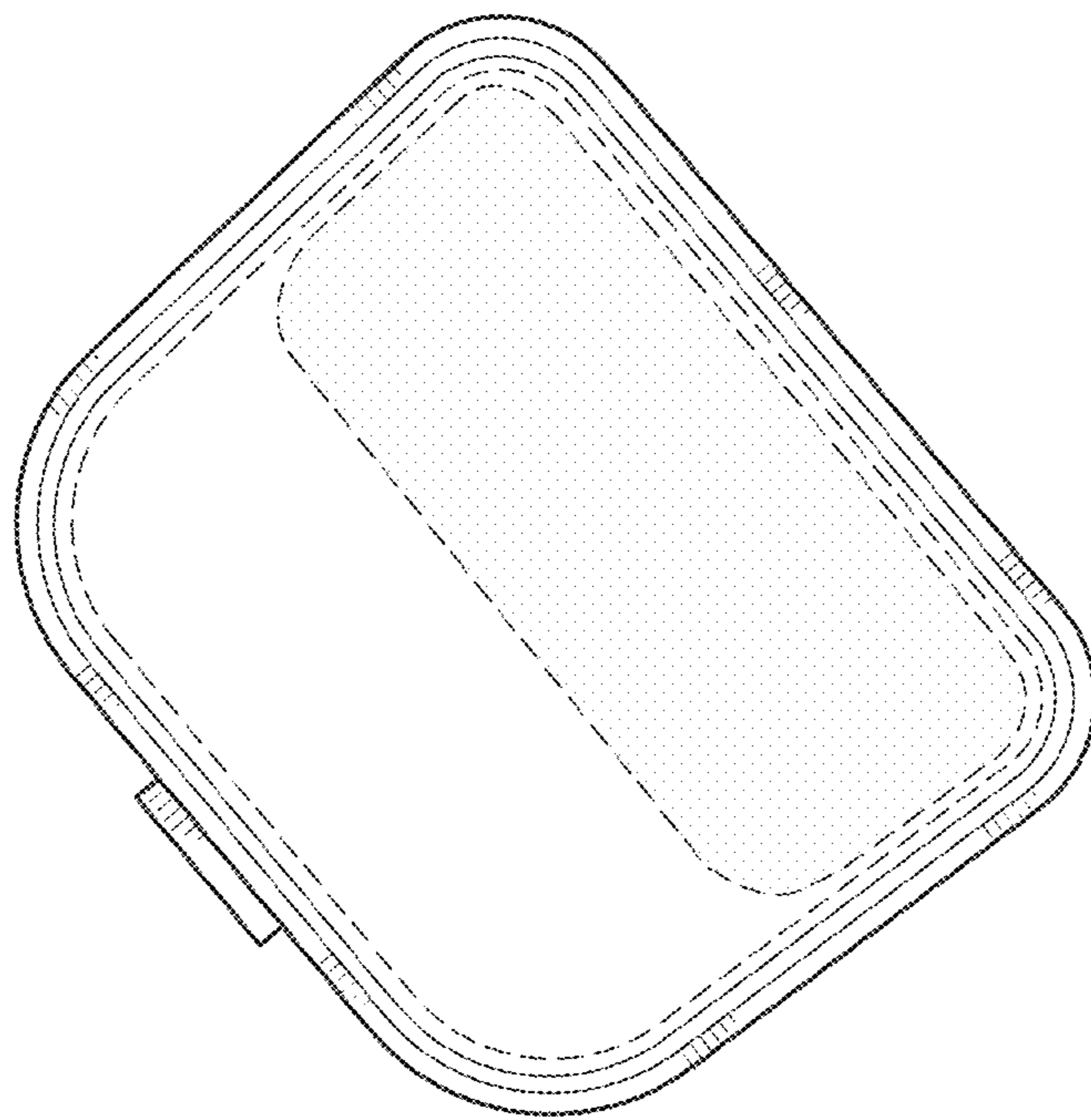


FIG. 7