



US00D948954S

(12) **United States Design Patent** (10) **Patent No.:** **US D948,954 S**  
**Seiders et al.** (45) **Date of Patent:** **\*\* Apr. 19, 2022**

- (54) **INSULATING DEVICE**
- (71) Applicant: **YETI Coolers, LLC**, Austin, TX (US)
- (72) Inventors: **Roy Joseph Seiders**, Austin, TX (US);  
**Christopher M. Keller**, Austin, TX (US);  
**Derek G. Sullivan**, Austin, TX (US);  
**Erik Steven Larson**, Austin, TX (US);  
**Alex Baires**, Austin, TX (US);  
**Andrew M. Bosway**, Austin, TX (US);  
**Karl Fritzsche**, Seattle, WA (US);  
**Laura Flores**, Austin, TX (US)
- (73) Assignee: **YETI Coolers, LLC**, Austin, TX (US)
- (\*\*) Term: **15 Years**
- (21) Appl. No.: **29/765,085**
- (22) Filed: **Jan. 5, 2021**

81/3853; B65D 81/3855; B65D 81/3858;  
B65D 81/386; B65D 81/3862; B65D  
81/3874; A45C 11/20; A45C 3/00; A45C  
2003/008

See application file for complete search history.

(56) **References Cited**

U.S. PATENT DOCUMENTS

210,994 A 12/1878 Carnagy  
430,944 A 6/1890 Hammerl  
(Continued)

FOREIGN PATENT DOCUMENTS

AU 201614228 S 8/2016  
AU 201614229 S 8/2016  
(Continued)

OTHER PUBLICATIONS

Sep. 3, 2021—(CN) First Office Action—App. No. 201880070523.  
X.

(Continued)

*Primary Examiner* — Terry A Wallace

(74) *Attorney, Agent, or Firm* — Banner & Witcoff, Ltd.

(57) **CLAIM**

The ornamental design for an insulating device, as shown and described.

**DESCRIPTION**

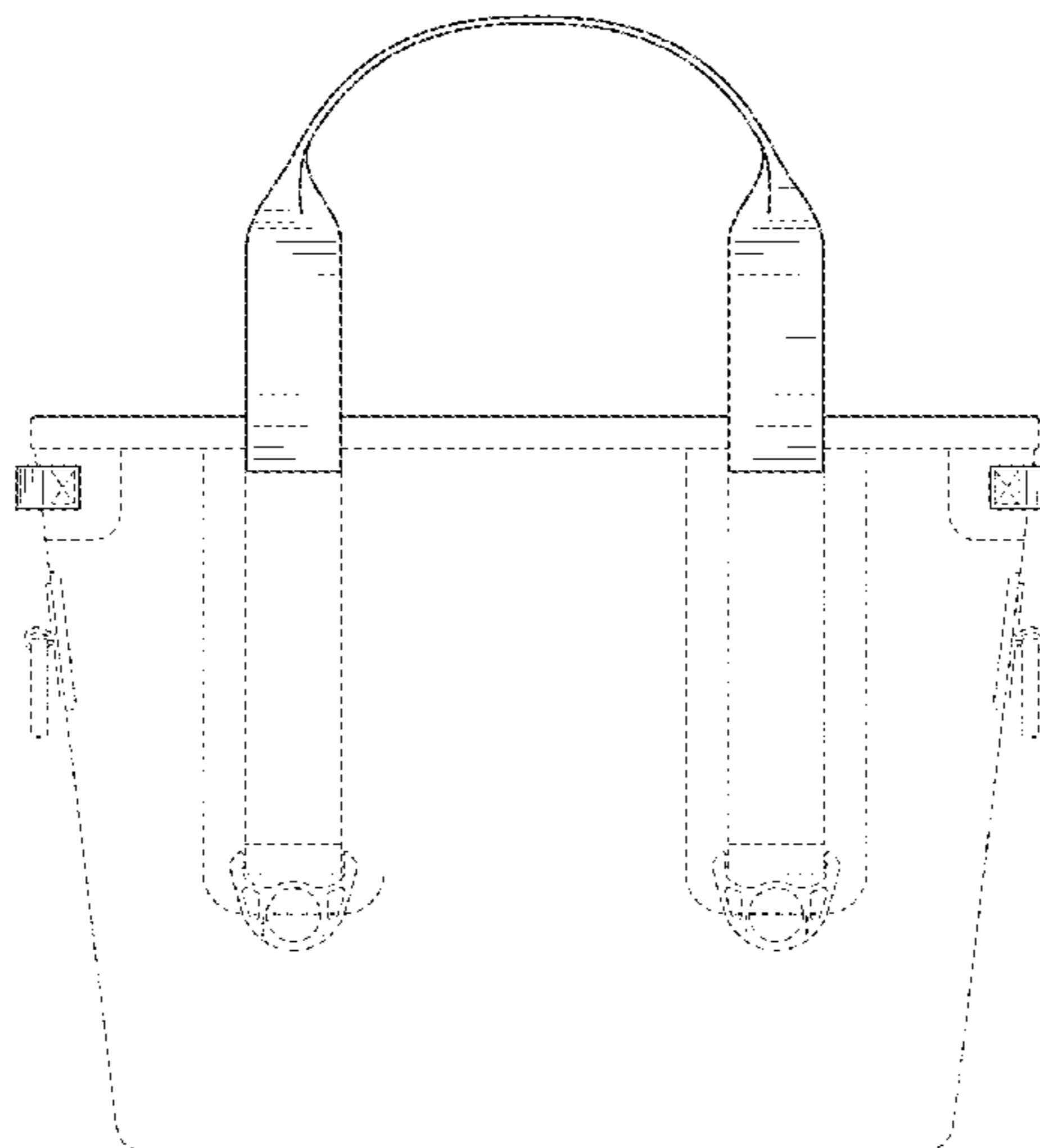
FIG. 1 is a front view of an insulating device showing our new design;

FIG. 2 is a rear view thereof; and,

FIG. 3 is a top view thereof.

The broken lines immediately adjacent to the shaded area define the bounds of the claimed design and form no part thereof. The broken lines depicting the remainder of the insulating device form no part of the claimed design.

**1 Claim, 3 Drawing Sheets**



- Related U.S. Application Data**
- (60) Continuation of application No. 17/118,113, filed on Dec. 10, 2020, now Pat. No. 10,994,918, which is a continuation of application No. 16/545,008, filed on Aug. 20, 2019, now Pat. No. 10,994,917, which is a continuation of application No. 15/261,407, filed on Sep. 9, 2016, now Pat. No. 10,384,855, which is a (Continued)
  - (51) **LOC (13) Cl.** ..... **07-01**
  - (52) **U.S. Cl.**  
USPC ..... **D7/607**; D3/246; D3/318
  - (58) **Field of Classification Search**  
USPC ..... D7/605–607, 709, 710; D3/232, 233, D3/240, 241, 245, 246, 285, 289, 318  
CPC ..... F25D 3/08; F25D 3/02; F25D 3/04; F25D 3/06; F25D 3/14; F25D 3/107; F25D 2331/804; F25D 2331/801; B65D 81/38; B65D 81/3813; B65D 81/3816; B65D 81/3818; B65D 81/382; B65D 81/3823; B65D 81/3825; B65D 81/3827; B65D 81/383; B65D 81/3832; B65D 81/3834; B65D 81/3848; B65D 81/3851; B65D

**Related U.S. Application Data**

continuation-in-part of application No. 15/154,626, filed on May 13, 2016, now Pat. No. 10,029,842, which is a continuation-in-part of application No. 14/831,641, filed on Aug. 20, 2015, now Pat. No. 9,796,517, which is a division of application No. 14/479,607, filed on Sep. 8, 2014, now Pat. No. 9,139,352.

(56)

**References Cited**

U.S. PATENT DOCUMENTS

1,512,549 A	10/1924	Labadie et al.	4,571,338 A	2/1986	Okonogi et al.
1,587,655 A	6/1926	Kidwell	4,595,101 A	6/1986	Rivera
1,895,278 A	1/1933	Crawford	4,596,370 A	6/1986	Adkins
1,949,677 A	3/1934	Crawford	D284,620 S	7/1986	Calton
2,119,621 A	6/1938	Ferrone	4,598,746 A	7/1986	Rabinowitz
2,253,598 A	8/1941	Africa	4,637,063 A	1/1987	Sullivan et al.
2,289,254 A	7/1942	Eagles	D289,128 S	4/1987	Bradshaw
2,429,538 A	10/1947	Wood	4,673,117 A	6/1987	Calton
2,522,381 A	9/1950	Kramer	4,679,242 A	7/1987	Brockhaus
2,556,066 A	6/1951	Cline	4,708,254 A	11/1987	Byrns
2,570,300 A	10/1951	Acton	4,746,028 A	5/1988	Bagg
2,575,191 A	11/1951	Seipp	4,759,077 A	7/1988	Leslie
2,575,893 A	11/1951	Seaman	4,765,476 A	8/1988	Lee
2,623,566 A	12/1952	Kibler	4,796,785 A	1/1989	Merritt
2,633,223 A	3/1953	Zeamer	4,796,937 A	1/1989	Andrea
2,651,485 A	9/1953	Schutz	4,802,344 A	2/1989	Livingston et al.
2,661,785 A	12/1953	Daust	4,802,602 A	2/1989	Evans et al.
2,685,385 A	8/1954	Kuss	4,805,776 A	2/1989	Namgyal et al.
2,808,093 A	10/1957	Gilman	4,812,054 A	3/1989	Kirkendall
2,883,041 A	4/1959	Pfeifer et al.	4,815,999 A	3/1989	Ayon et al.
2,954,891 A	10/1960	Imber	4,817,769 A	4/1989	Saliba
2,960,136 A	11/1960	Ziff	4,825,514 A	5/1989	Akeno
3,031,121 A	4/1962	Chase	4,826,060 A	5/1989	Hollingsworth
3,035,733 A	5/1962	Knapp	4,829,603 A	5/1989	Schnoor et al.
3,066,846 A	12/1962	Domigan	4,841,603 A	6/1989	Ragni
3,157,303 A	11/1964	Siegel	4,858,444 A	8/1989	Scott
3,203,517 A	8/1965	Stein	4,867,214 A	9/1989	Fuller
3,454,197 A	7/1969	Thompson	4,871,069 A	10/1989	Guimont
3,455,359 A	7/1969	Schweizer	4,886,183 A	12/1989	Fleming
3,743,522 A	7/1973	Nagasawa et al.	4,941,603 A	7/1990	Creamer et al.
3,801,425 A	4/1974	Cook	4,961,522 A *	10/1990	Weber ..... A45C 3/00 190/119
3,814,288 A	6/1974	Westrich	4,966,279 A	10/1990	Pearcy
3,834,044 A	9/1974	McAusland et al.	4,984,906 A	1/1991	Little
3,905,511 A	9/1975	Groendal	4,986,089 A	1/1991	Raab
4,024,731 A	5/1977	Branscum	4,989,418 A	2/1991	Hewlett
4,125,212 A	11/1978	Courchesne	5,004,091 A	4/1991	Natho et al.
4,127,155 A	11/1978	Hydorn	5,005,679 A	4/1991	Hjelle
4,143,695 A	3/1979	Hoehn	5,042,664 A	8/1991	Shyr et al.
4,194,627 A	3/1980	Christensen	5,048,734 A	9/1991	Long
4,196,817 A	4/1980	Moser	5,062,557 A	11/1991	Mahvi et al.
4,197,890 A	4/1980	Simko	D328,550 S	8/1992	Mogil et al.
4,210,186 A	7/1980	Belenson	5,143,188 A	9/1992	Robinet
4,211,091 A	7/1980	Campbell	5,190,376 A	3/1993	Book
4,211,267 A	7/1980	Skoygaard	5,216,900 A	6/1993	Jones
4,248,366 A	2/1981	Christiansen	5,221,016 A	6/1993	Karpal
D265,948 S	8/1982	Stark	5,237,838 A	8/1993	Merritt-Munson
4,344,303 A	8/1982	Kelly, Jr.	5,244,136 A	9/1993	Collaso
4,372,453 A	2/1983	Branscum	D339,979 S	10/1993	Wehrley
4,375,828 A	3/1983	Biddison	D340,387 S	10/1993	Melk
D268,879 S	5/1983	Outcalt	D340,621 S	10/1993	Melk
4,399,668 A	8/1983	Williamson	5,253,395 A	10/1993	Yano
4,468,933 A	9/1984	Christopher	D340,840 S	11/1993	Melk
4,484,682 A	11/1984	Crow	5,269,368 A	12/1993	Schneider et al.
4,513,895 A	4/1985	Leslie	D343,992 S	2/1994	Melk
4,515,421 A	5/1985	Steffes	5,295,365 A	3/1994	Redford
4,521,910 A	6/1985	Keppel et al.	5,297,870 A	3/1994	Weldon
4,524,493 A	6/1985	Inamura	5,313,807 A	5/1994	Owen
4,537,313 A	8/1985	Workman	D347,971 S	6/1994	Krugman
4,541,540 A	9/1985	Gretz et al.	5,325,991 A	7/1994	Williams
D281,122 S	10/1985	Bornes et al.	D349,428 S	8/1994	Krugman
D281,546 S	12/1985	Bradshaw	D351,533 S	10/1994	Lynam, Jr.
D281,646 S	12/1985	Bomes et al.	5,354,131 A	10/1994	Mogil
D282,602 S *	2/1986	Allen ..... D3/287	5,355,684 A	10/1994	Guice
			5,398,848 A	3/1995	Padamsee
			5,400,610 A	3/1995	Macedo
			5,403,095 A	4/1995	Melk
			5,421,172 A	6/1995	Jones
			5,447,764 A	9/1995	Langford
			5,472,279 A	12/1995	Lin
			5,490,396 A *	2/1996	Morris ..... F25D 3/08 62/457.2
			5,509,279 A	4/1996	Brown et al.
			5,509,734 A	4/1996	Ausnit
			D370,599 S	6/1996	Christopher et al.
			D371,051 S	6/1996	Melk
			D371,052 S	6/1996	Melk
			5,529,217 A	6/1996	Siegel
			D373,515 S	9/1996	Melk

(56)

References Cited

U.S. PATENT DOCUMENTS

5,553,759	A	9/1996	McMaster et al.	6,286,709	B1	9/2001	Hudson
5,562,228	A	10/1996	Ericson	6,296,134	B1	10/2001	Cardinale
5,564,568	A	10/1996	Rankin, Sr.	6,296,165	B1	10/2001	Mears
5,569,401	A	10/1996	Gilliland et al.	6,298,993	B1	10/2001	Kalozdi
5,595,320	A	1/1997	Aghassipour	6,336,342	B1	1/2002	Zeddies
5,620,069	A	4/1997	Hurwitz	6,336,577	B1	1/2002	Harris et al.
D382,771	S	8/1997	Mogil	6,347,706	B1	2/2002	D'Ambrosio
D382,772	S	8/1997	Mogil	6,353,215	B1	3/2002	Revels et al.
D383,360	S	9/1997	Melk	D455,934	S	4/2002	Culp et al.
5,680,944	A	10/1997	Rueter	6,363,739	B1	4/2002	Hodosh et al.
5,680,958	A	10/1997	Mann et al.	D457,307	S	5/2002	Pukall et al.
D386,310	S	11/1997	Smith	6,409,066	B1	6/2002	Schneider et al.
5,687,874	A	11/1997	Omori et al.	6,422,032	B1	7/2002	Greene
D387,249	S	* 12/1997	Mogil ..... D7/607	6,439,389	B1	8/2002	Mogil
D387,626	S	12/1997	Melk	D464,235	S	10/2002	Jeong
5,706,969	A	1/1998	Yamada et al.	D465,134	S	11/2002	Joss
5,732,867	A	3/1998	Perkins et al.	6,481,239	B2	11/2002	Hodosh et al.
D394,553	S	5/1998	Lin	D466,291	S	12/2002	Ng
D395,555	S	6/1998	Ursitti	6,495,194	B2	12/2002	Sato et al.
5,758,513	A	6/1998	Smith	6,505,479	B2	1/2003	Defelice et al.
5,779,089	A	7/1998	West	6,511,695	B1	1/2003	Paquin et al.
D397,273	S	8/1998	Collie	6,513,661	B1	2/2003	Mogil
5,816,709	A	10/1998	Demus	D472,431	S	4/2003	Spence, Jr.
D401,063	S	11/1998	Yamamoto et al.	6,554,155	B1	4/2003	Beggins
5,842,571	A	12/1998	Rausch	D474,649	S	5/2003	Spence, Jr.
5,845,514	A	12/1998	Clarke et al.	6,582,124	B2	* 6/2003	Mogil ..... A45C 7/0077
5,848,734	A	12/1998	Melk				383/110
5,857,778	A	1/1999	Ells	D476,481	S	7/2003	Gilbert
D409,376	S	5/1999	Golenz et al.	6,595,687	B2	7/2003	Godshaw et al.
5,904,230	A	5/1999	Peterson	D478,782	S	8/2003	Li
5,909,821	A	6/1999	Guridi	6,604,649	B1	8/2003	Campi
5,913,448	A	6/1999	Mann et al.	6,605,311	B2	8/2003	Villagran et al.
5,915,580	A	6/1999	Melk	6,619,447	B1	9/2003	Garcia, III et al.
5,931,583	A	8/1999	Collie	6,626,342	B1	9/2003	Gleason
D414,379	S	9/1999	Haberkorn	6,629,430	B2	10/2003	Mills et al.
5,954,253	A	9/1999	Swetish	D482,241	S	11/2003	Tyler
5,964,384	A	* 10/1999	Young ..... A45C 7/0063	6,640,856	B1	11/2003	Tucker
			190/103	6,652,933	B2	11/2003	Hall
5,988,468	A	11/1999	Murdoch et al.	6,655,543	B2	12/2003	Beuke
5,988,879	A	11/1999	Bredderman et al.	D485,131	S	1/2004	Lanman et al.
6,019,245	A	2/2000	Foster et al.	D485,732	S	1/2004	Lanman et al.
6,027,249	A	2/2000	Bielinski	D486,038	S	2/2004	Lanman et al.
6,029,847	A	2/2000	Mahoney, Jr. et al.	6,688,470	B2	2/2004	Dege et al.
6,048,099	A	4/2000	Muffett et al.	6,729,758	B1	5/2004	Carter
D424,417	S	5/2000	Axelsson	D491,354	S	6/2004	Chapelier
6,059,140	A	5/2000	Hicks	D492,160	S	6/2004	Lanman et al.
6,065,873	A	5/2000	Fowler	D497,518	S	10/2004	Bellofatto, Jr. et al.
6,068,402	A	5/2000	Freese et al.	6,799,693	B2	10/2004	Meza
6,070,718	A	6/2000	Drabwell	D498,924	S	11/2004	Karl
6,073,796	A	6/2000	Mogil	D501,600	S	2/2005	Guyon
6,082,589	A	7/2000	Ash et al.	D502,599	S	3/2005	Cabana et al.
6,082,896	A	7/2000	Pulli	D503,279	S	3/2005	Smith
6,089,038	A	7/2000	Tattam	6,874,356	B2	4/2005	Kornfeldt et al.
6,092,266	A	7/2000	Lee	D506,645	S	6/2005	Bellofatto, Jr. et al.
6,092,661	A	7/2000	Mogil	6,925,834	B2	8/2005	Fuchs
6,105,214	A	8/2000	Press	D512,274	S	12/2005	Cabey
6,113,268	A	9/2000	Thompson	D515,362	S	2/2006	Chan
6,116,045	A	9/2000	Hodosh et al.	D516,099	S	2/2006	Maruyama
6,128,915	A	10/2000	Wagner	D516,870	S	3/2006	Martinez et al.
6,129,254	A	10/2000	Yu	D517,801	S	3/2006	Woo
6,139,188	A	10/2000	Marzano	D520,306	S	5/2006	Peterson
6,145,715	A	11/2000	Slonim	D522,811	S	6/2006	Martinez et al.
6,149,305	A	11/2000	Fier	D523,243	S	6/2006	Nashmy
D437,110	S	2/2001	Ivarson et al.	D527,226	S	8/2006	Maldonado
6,193,034	B1	2/2001	Fournier	D530,089	S	10/2006	Silverman
6,209,343	B1	4/2001	Owen	7,153,025	B1	12/2006	Jackson et al.
6,220,473	B1	4/2001	Lehman et al.	D534,352	S	1/2007	Delafontaine
6,234,677	B1	5/2001	Mogil	D534,771	S	1/2007	Zorn
6,237,776	B1	5/2001	Mogil	D535,099	S	1/2007	Johansson et al.
6,244,458	B1	6/2001	Frysinger et al.	D535,820	S	1/2007	Kamiya
6,247,328	B1	6/2001	Mogil	7,160,028	B1	1/2007	Linday
6,253,570	B1	7/2001	Lustig	7,162,890	B2	1/2007	Mogil et al.
6,276,579	B1	8/2001	DeLoach	D539,033	S	* 3/2007	Cassegrain ..... D3/246
D447,632	S	9/2001	Gisser	D540,037	S	4/2007	Newson
D447,667	S	9/2001	Schneider et al.	7,201,285	B2	4/2007	Beggins
				7,207,716	B2	4/2007	Buchanan et al.
				7,219,814	B2	5/2007	Lown et al.
				7,240,513	B1	7/2007	Conforti
				D547,941	S	8/2007	Lucena

(56)

References Cited

U.S. PATENT DOCUMENTS

D548,459 S	8/2007	Harvey	8,209,995 B2	7/2012	Kieling et al.
D550,448 S	9/2007	Boje et al.	D666,896 S	9/2012	Pinholster, Jr. et al.
7,264,134 B2	9/2007	Tulp	D667,043 S	9/2012	Couch, III
D557,667 S	12/2007	Kawamura et al.	8,281,950 B2	10/2012	Potts et al.
7,302,810 B2	12/2007	McCrorry	8,292,119 B2	10/2012	Kenneally
D560,102 S	1/2008	Sumter	8,302,749 B2	11/2012	Melmon et al.
7,313,927 B2	1/2008	Barker	8,327,659 B2	12/2012	Winkler et al.
7,344,028 B2	3/2008	Hanson	D673,363 S	1/2013	Crandall
D566,484 S	4/2008	George	D673,772 S	1/2013	Munson et al.
7,353,952 B2	4/2008	Swartz et al.	D674,246 S	1/2013	Scott et al.
D570,603 S	6/2008	Wu et al.	D674,664 S	1/2013	Collie
D573,422 S	7/2008	Tagliati et al.	8,424,319 B2	4/2013	Whewell, Jr.
D574,667 S	8/2008	Grabijas, III et al.	8,424,713 B2	4/2013	Bolland
D578,401 S	10/2008	Perry et al.	8,430,284 B2	4/2013	Broadbent et al.
D582,151 S	12/2008	Gonzalez	D682,635 S	5/2013	Boroski
D583,152 S	12/2008	Keeney	D684,767 S	6/2013	Gerbi
7,481,065 B2	1/2009	Krieger	8,453,899 B1	6/2013	Calkin
D587,010 S	2/2009	Deck	D686,412 S	7/2013	Guichot
7,527,430 B2	5/2009	Suskind	8,474,640 B2	7/2013	Armstrong
D598,194 S	8/2009	Turvey et al.	8,516,848 B2	8/2013	White et al.
D599,550 S	9/2009	Turvey et al.	D690,100 S	9/2013	Alfaks
7,581,886 B2	9/2009	Nitti	8,544,678 B1	10/2013	Hughes
7,597,478 B2	10/2009	Pruchnicki et al.	8,573,002 B2	11/2013	Ledoux et al.
D603,606 S	11/2009	Wang	D695,568 S	12/2013	Hayes
7,634,919 B2	12/2009	Bernhard, Jr. et al.	8,622,235 B2	1/2014	Suchecki
D607,697 S	1/2010	Whitlock et al.	D699,940 S	2/2014	Robert
D608,095 S	1/2010	Turvey et al.	D699,941 S	2/2014	Robert
D608,096 S	1/2010	Noble	8,646,970 B2	2/2014	Mogil
D608,159 S	1/2010	Whitlock et al.	D701,041 S	3/2014	Burnett
D610,795 S	3/2010	Dejadon	D703,946 S	5/2014	Tweedie
D611,706 S	3/2010	Angles et al.	8,720,739 B2	5/2014	Bollis
D612,605 S	3/2010	Turvey et al.	8,777,045 B2	7/2014	Mitchell et al.
7,669,436 B2	3/2010	Mogil et al.	D710,085 S	8/2014	Szewczyk
7,677,406 B2	3/2010	Maxson	D711,096 S	8/2014	Hanna
7,682,080 B2	3/2010	Mogil	D711,100 S	8/2014	Dingizian
D617,560 S	6/2010	Wu	D712,555 S	9/2014	Berg
7,730,739 B2	6/2010	Fuchs	8,827,109 B1	9/2014	Sheehan
D618,966 S	7/2010	Koehler et al.	8,844,756 B2	9/2014	Beyburg
D619,423 S	7/2010	Koehler et al.	D715,544 S	10/2014	Levine
D619,854 S	7/2010	Koehler et al.	8,857,654 B2	10/2014	Mogil et al.
D619,855 S	7/2010	Koehler et al.	D717,041 S	11/2014	Pulliam
7,757,878 B2	7/2010	Mogil et al.	D718,053 S	11/2014	McFreen
7,762,294 B2	7/2010	Wang	8,875,964 B1	11/2014	Vanderberg
D620,707 S *	8/2010	Mogil ..... D3/246	8,893,940 B2	11/2014	Green et al.
D620,708 S	8/2010	Sanz	D718,931 S	12/2014	Brundl
D621,609 S	8/2010	Hasty	D719,303 S	12/2014	Anderson
7,775,388 B2	8/2010	Murrer, III	8,899,071 B2	12/2014	Mogil et al.
7,784,759 B2	8/2010	Farrell	D723,804 S	3/2015	Coleman
7,791,003 B2	9/2010	Lockhart et al.	D725,908 S	4/2015	Zwetzig
7,811,620 B2	10/2010	Merrill et al.	D728,942 S	5/2015	Byham
7,815,069 B1	10/2010	Bellofatto et al.	D732,295 S	6/2015	Aafjes
D626,329 S	11/2010	Chapelier	D732,348 S	6/2015	Seiders et al.
D627,199 S	11/2010	Pruchnicki	D732,349 S	6/2015	Seiders et al.
7,841,207 B2	11/2010	Mogil et al.	D732,350 S	6/2015	Seiders et al.
D629,612 S	12/2010	Weldon	D732,899 S	6/2015	Seiders et al.
D630,844 S	1/2011	Wang et al.	D734,643 S	7/2015	Boroski
7,874,177 B2	1/2011	Azamy	D734,992 S	7/2015	Boroski
7,886,936 B2	2/2011	Helline	9,084,463 B2	7/2015	Merrill
7,900,816 B2	3/2011	Kastanek et al.	D738,108 S	9/2015	Adler et al.
D638,220 S	5/2011	Chu et al.	D739,654 S	9/2015	Brouard
D642,870 S	8/2011	Whitlock et al.	9,138,033 B2	9/2015	Kojima et al.
7,988,006 B2	8/2011	Mogil et al.	9,139,352 B2	9/2015	Seiders et al.
D645,662 S	9/2011	Perez	9,146,051 B2	9/2015	Kamin et al.
8,016,090 B2	9/2011	McCoy et al.	D743,699 S	11/2015	Wieden
8,043,004 B2	10/2011	Mogil	D744,786 S	12/2015	Bagwell
D648,532 S	11/2011	Sosnovsky	D747,104 S	1/2016	Ford
8,061,159 B2	11/2011	Mogil et al.	9,226,558 B2	1/2016	Armstrong
D650,169 S	12/2011	Klifa	D749,653 S	2/2016	Carnes
8,079,451 B2	12/2011	Rothschild et al.	D750,140 S	2/2016	Cross
8,096,442 B2	1/2012	Ramundi	9,254,022 B2	2/2016	Meldeau et al.
D659,998 S	5/2012	Austin	9,254,023 B2	2/2016	Su et al.
8,176,749 B2	5/2012	LaMere et al.	9,265,318 B1	2/2016	Williams et al.
D662,316 S	6/2012	Nitkin	D752,347 S	3/2016	Seiders et al.
8,191,747 B2	6/2012	Pruchnicki	9,271,553 B2	3/2016	Ponx
D664,261 S	7/2012	Kravitz et al.	9,272,475 B2	3/2016	Ranade et al.
			9,290,313 B2	3/2016	De Lesseux et al.
			D752,860 S	4/2016	Barilaro et al.
			9,307,814 B2	4/2016	Pulliam
			9,314,069 B2	4/2016	Takazawa

(56)

## References Cited

## U.S. PATENT DOCUMENTS

D756,109 S	5/2016	Hayashi	D817,107 S	5/2018	Larson et al.
D756,638 S	5/2016	Frisoni	D817,722 S	5/2018	Bradley
9,366,467 B2	6/2016	Kiedaisch et al.	D818,707 S	5/2018	Vevers et al.
9,375,061 B2	6/2016	Mosee	D819,966 S	6/2018	Yu
D760,494 S	7/2016	Harvey-Pankey	D819,967 S	6/2018	Carter et al.
D761,561 S	7/2016	Cheng	D821,094 S	6/2018	Dragicevic
D762,378 S	8/2016	Domotor et al.	D821,825 S	7/2018	Sullivan et al.
D762,384 S	8/2016	Boroski	D822,987 S	7/2018	Seiders et al.
D763,570 S	8/2016	Potts	D822,997 S	7/2018	Seiders et al.
D764,791 S	8/2016	Patel	D822,998 S	7/2018	Seiders et al.
D764,873 S	8/2016	Collie	D822,999 S	7/2018	Seiders et al.
9,408,445 B2	8/2016	Mogil et al.	D823,601 S	7/2018	Seiders et al.
D765,395 S	9/2016	Sanz	D823,602 S	7/2018	Seiders et al.
D765,967 S	9/2016	Boroski	10,010,146 B2	7/2018	Moore
D766,571 S	9/2016	Boroski	10,010,162 B1	7/2018	Woods et al.
D768,981 S	10/2016	Kliot	10,029,842 B2	7/2018	Seiders et al.
D768,987 S	10/2016	Blumenfeld	D824,660 S	8/2018	Ross
D769,616 S	10/2016	Keene	D824,666 S	8/2018	Carter et al.
D770,761 S	11/2016	Deioma et al.	D824,671 S	8/2018	Pennington
D770,763 S	11/2016	Joo et al.	D824,731 S	8/2018	Sullivan et al.
D771,372 S	11/2016	Kelly et al.	D827,299 S	9/2018	Vickery
D772,562 S	11/2016	Petre	D828,112 S	9/2018	Furieux et al.
D773,813 S	12/2016	Jakubowski	D828,728 S	9/2018	Jacobsen
9,545,134 B1	1/2017	Tan	D829,244 S	9/2018	Sullivan et al.
D778,045 S	2/2017	Ruddis	D830,048 S	10/2018	McQueeney
D778,609 S	2/2017	Gardner et al.	D830,132 S	10/2018	Sullivan et al.
D782,820 S	4/2017	Thompson	D830,133 S	10/2018	Sullivan et al.
D784,010 S	4/2017	Dumas	D830,134 S	10/2018	Sullivan et al.
9,630,750 B2	4/2017	Gardner et al.	D832,653 S	11/2018	Waskow et al.
D785,325 S *	5/2017	Samrelius ..... D3/246	10,138,048 B2	11/2018	Mitchell et al.
D785,930 S	5/2017	Sassi	D834,815 S	12/2018	Barlier
D786,559 S	5/2017	Seiders et al.	D834,817 S	12/2018	Hoppe et al.
D786,560 S	5/2017	Seiders et al.	D834,895 S	12/2018	Triska et al.
D786,561 S	5/2017	Seiders et al.	D835,473 S	12/2018	Jacobsen
D786,562 S	5/2017	Seiders et al.	D835,949 S	12/2018	Triska et al.
D787,187 S	5/2017	Seiders et al.	D835,950 S	12/2018	Jacobsen
D789,080 S	6/2017	Caffagni	10,143,282 B2	12/2018	Seiders et al.
D789,081 S	6/2017	Sassi	10,154,714 B2	12/2018	Wang
D789,082 S	6/2017	Barilaro et al.	D836,996 S	1/2019	Jacobsen
D792,167 S	7/2017	Bradley	D836,997 S	1/2019	Jacobsen
D792,486 S	7/2017	Li et al.	D836,998 S	1/2019	Jacobsen
D793,089 S	8/2017	Jackson	D836,999 S	1/2019	Jacobsen
D796,185 S	9/2017	Masten	D837,000 S	1/2019	Jacobsen
D797,454 S	9/2017	Seiders et al.	D837,001 S	1/2019	Jacobsen
D797,455 S	9/2017	Seiders et al.	D838,978 S	1/2019	Lee
D798,670 S	10/2017	Seiders et al.	D839,682 S	2/2019	Jacobsen
D799,276 S	10/2017	Seiders et al.	D840,194 S	2/2019	Furieux et al.
D799,277 S	10/2017	Seiders et al.	D840,689 S	2/2019	Seiders et al.
D799,823 S	10/2017	Schartle	D840,761 S	2/2019	Seiders et al.
D799,905 S	10/2017	Seiders et al.	D840,762 S	2/2019	Seiders et al.
D800,443 S	10/2017	Burton et al.	D840,763 S	2/2019	Seiders et al.
D800,444 S	10/2017	Burton et al.	D840,764 S	2/2019	Seiders et al.
D801,123 S	10/2017	Seiders et al.	D841,325 S	2/2019	Buynar
9,796,517 B2	10/2017	Seiders et al.	D842,048 S	3/2019	Wells
D802,028 S	11/2017	Li	10,226,110 B2	3/2019	Hayashi
D802,029 S	11/2017	Li	D844,321 S	4/2019	Li
D802,373 S	11/2017	Seiders et al.	D844,975 S	4/2019	Munie et al.
D802,630 S	11/2017	Li et al.	D844,976 S	4/2019	Munie et al.
9,809,376 B2	11/2017	Mitchell et al.	D844,977 S	4/2019	Munie et al.
D805,851 S	12/2017	Sullivan et al.	D844,978 S	4/2019	Munie et al.
9,840,178 B2	12/2017	Baker	D844,979 S	4/2019	Munie et al.
D808,157 S	1/2018	Viger et al.	D844,992 S	4/2019	Seiders et al.
D808,173 S	1/2018	Seiders et al.	D845,625 S	4/2019	Barlier
D808,175 S	1/2018	Seiders et al.	D846,275 S	4/2019	Barlier
D808,655 S	1/2018	Seiders et al.	10,244,841 B2	4/2019	Hayashi
D808,730 S	1/2018	Sullivan et al.	D847,500 S	5/2019	Lagerfeld
D809,869 S	2/2018	Seiders et al.	D847,501 S	5/2019	Carter et al.
D811,082 S	2/2018	Lehan	D848,219 S	5/2019	Munie et al.
9,901,153 B2	2/2018	Nash	D848,220 S	5/2019	Munie et al.
D811,746 S	3/2018	Seiders et al.	D848,221 S	5/2019	Munie et al.
D813,539 S	3/2018	Van Assche	D848,222 S	5/2019	Munie et al.
D814,879 S	4/2018	Larson et al.	D848,223 S	5/2019	Munie et al.
D815,496 S	4/2018	Larson et al.	D848,798 S	5/2019	Munie et al.
9,943,150 B2	4/2018	Morrow	D849,398 S	5/2019	Tan
D817,106 S	5/2018	Larson et al.	D849,406 S	5/2019	Dehmoubed et al.
			D849,486 S	5/2019	Munie et al.
			10,279,980 B2	5/2019	James, Jr.
			D850,107 S	6/2019	Dehmoubed et al.
			D851,404 S	6/2019	Seiders et al.

(56)

References Cited

U.S. PATENT DOCUMENTS

			2004/0094589 A1	5/2004	Fricano	
			2004/0136621 A1*	7/2004	Mogil .....	A45C 11/20 383/110
			2004/0144783 A1	7/2004	Anderson et al.	
			2004/0149600 A1	8/2004	Wolter et al.	
			2004/0164084 A1	8/2004	Cooper	
			2004/0237266 A1	12/2004	Wang	
			2005/0016895 A1	1/2005	Glenn	
			2005/0034947 A1	2/2005	Nykoluk	
			2005/0045520 A1	3/2005	Johnson	
			2005/0045521 A1	3/2005	Johnson et al.	
			2005/0056669 A1	3/2005	Lavelle	
			2005/0072181 A1	4/2005	Mogil et al.	
			2005/0133399 A1	6/2005	Fidrych	
			2005/0155891 A1	7/2005	Chen	
			2005/0183446 A1	8/2005	Fuchs	
			2005/0196510 A1	9/2005	Walters	
			2005/0205459 A1	9/2005	Mogil et al.	
			2005/0262871 A1	12/2005	Bailey-Weston	
			2005/0263528 A1	12/2005	Maldonado et al.	
			2005/0279124 A1	12/2005	Maldonado	
			2006/0007266 A1	1/2006	Silverbrook	
			2006/0010660 A1	1/2006	Stenhall	
			2006/0021376 A1	2/2006	Scroggs	
			2006/0102497 A1	5/2006	Wulf	
			2006/0151533 A1	7/2006	Simunovic et al.	
			2006/0201979 A1	9/2006	Achilles	
			2006/0239593 A1	10/2006	Fidrych	
			2006/0240159 A1	10/2006	Cash et al.	
			2006/0248902 A1	11/2006	Hunnell	
			2007/0006430 A1	1/2007	Issler	
			2007/0012593 A1	1/2007	Kitchens et al.	
			2007/0148305 A1	6/2007	Sherwood et al.	
			2007/0148307 A1	6/2007	Sherwood et al.	
			2007/0164063 A1	7/2007	Concepcion	
			2007/0199966 A1	8/2007	Korchmar	
			2007/0217187 A1	9/2007	Blakely et al.	
			2007/0221693 A1	9/2007	Moore	
			2007/0237432 A1	10/2007	Mogil	
			2007/0261977 A1	11/2007	Sakai	
			2007/0274613 A1	11/2007	Pruchnicki et al.	
			2007/0278234 A1*	12/2007	Mogil .....	A45C 11/20 220/592.2
			2007/0290816 A1	12/2007	Bedard	
			2008/0038424 A1	2/2008	Krusemann	
			2008/0073364 A1	3/2008	Simmons	
			2008/0105282 A1	5/2008	Fernholz et al.	
			2008/0128421 A1	6/2008	Ulbrand et al.	
			2008/0160149 A1	7/2008	Nasrallah et al.	
			2008/0164265 A1	7/2008	Conforti	
			2008/0178865 A1	7/2008	Retterer	
			2008/0189918 A1	8/2008	Kusayama	
			2008/0245096 A1	10/2008	Hanson et al.	
			2008/0260303 A1	10/2008	De Lesseux et al.	
			2008/0264925 A1	10/2008	Lockhart et al.	
			2008/0305235 A1	12/2008	Gao et al.	
			2009/0052809 A1	2/2009	Sampson	
			2009/0080808 A1	3/2009	Hagen	
			2009/0095757 A1	4/2009	Ramundi	
			2009/0242619 A1	10/2009	Blomberg	
			2009/0280229 A1	11/2009	Constantine et al.	
			2009/0301511 A1*	12/2009	Vinci .....	B65D 81/3897 132/316
			2009/0311378 A1	12/2009	Wilaschin et al.	
			2009/0317514 A1	12/2009	Sizer	
			2010/0005827 A1	1/2010	Winkler	
			2010/0047423 A1	2/2010	Kruesemann et al.	
			2010/0059199 A1	3/2010	Court	
			2010/0071395 A1*	3/2010	Ledoux .....	F25D 3/08 62/259.1
			2010/0075006 A1	3/2010	Semenza	
			2010/0102057 A1	4/2010	Long et al.	
			2010/0108694 A1	5/2010	Sedlbauer et al.	
			2010/0136203 A1	6/2010	Sakata et al.	
			2010/0143567 A1	6/2010	Ye et al.	
			2010/0224660 A1	9/2010	Gleason	
			2010/0269311 A1	10/2010	Jacobsen	
			2010/0284631 A1	11/2010	Lee	
			2010/0284634 A1	11/2010	Hadley	
D851,937 S	6/2019	Fuller				
10,314,377 B2	6/2019	Stephens				
10,322,867 B2	6/2019	Furneaux et al.				
D853,728 S	7/2019	Seiders et al.				
D855,982 S	8/2019	McGinn				
10,384,855 B2	8/2019	Seiders et al.				
D859,812 S	9/2019	Seiders et al.				
D859,813 S	9/2019	Seiders et al.				
D859,814 S	9/2019	Seiders et al.				
D859,815 S	9/2019	Seiders et al.				
D859,934 S	9/2019	Seiders et al.				
D860,634 S	9/2019	Seiders et al.				
10,413,030 B1	9/2019	Douglas et al.				
D861,335 S	10/2019	Barlier				
D861,338 S	10/2019	Seiders et al.				
D862,065 S	10/2019	Boys et al.				
D862,177 S	10/2019	Seiders et al.				
D862,528 S	10/2019	Sullivan et al.				
D866,186 S	11/2019	Seiders et al.				
D867,823 S	11/2019	Jacobsen				
D868,544 S	12/2019	Lin et al.				
D869,146 S	12/2019	Jacobsen				
D871,074 S	12/2019	Seiders et al.				
D871,765 S	1/2020	Seiders et al.				
D872,993 S	1/2020	Gu				
D873,022 S	1/2020	Seip et al.				
D877,514 S	3/2020	Seiders et al.				
D880,254 S	4/2020	Jacobsen				
D880,862 S	4/2020	Seiders et al.				
D881,561 S	4/2020	He				
D882,956 S	5/2020	Seiders et al.				
D886,537 S	6/2020	Jacobsen				
D886,538 S	6/2020	Jacobsen				
D886,539 S	6/2020	Jacobsen				
D887,699 S	6/2020	Bullock et al.				
10,736,391 B2	8/2020	Seiders et al.				
D894,692 S	9/2020	Herold				
D896,039 S	9/2020	Seiders et al.				
D896,591 S	9/2020	Seiders et al.				
D897,780 S	10/2020	Seiders et al.				
D899,197 S	10/2020	Seiders et al.				
D899,865 S	10/2020	Shi				
10,806,225 B2*	10/2020	Sitnikova .....	A45C 13/26			
D902,664 S	11/2020	Munie et al.				
10,827,808 B2	11/2020	Seiders et al.				
D903,305 S	12/2020	Sullivan et al.				
D904,011 S	12/2020	Sullivan et al.				
D904,031 S	12/2020	Chandler				
D904,758 S	12/2020	Bullock et al.				
D904,830 S	12/2020	Meda et al.				
D906,058 S	12/2020	Sullivan et al.				
D907,968 S	1/2021	Sullivan et al.				
D907,969 S	1/2021	Sullivan et al.				
D909,063 S	2/2021	Loudenslager et al.				
D910,382 S	2/2021	Rane et al.				
10,981,716 B2	4/2021	Seiders et al.				
D918,570 S	5/2021	Seiders et al.				
D918,571 S	5/2021	Davis				
D919,298 S	5/2021	Munie				
D919,375 S	5/2021	Seiders et al.				
D919,376 S	5/2021	Seiders et al.				
D920,677 S	6/2021	Tertoolen				
D920,678 S	6/2021	Seiders et al.				
2002/0012480 A1	1/2002	Konno				
2002/0197369 A1	12/2002	Modler				
2003/0070447 A1	4/2003	Tanaka				
2003/0080133 A1	5/2003	Butler				
2003/0106895 A1	6/2003	Kalal				
2003/0136702 A1	7/2003	Redzisz et al.				
2003/0149461 A1	8/2003	Johnson				
2003/0175394 A1	9/2003	Modler				
2004/0004111 A1	1/2004	Cardinale				
2004/0028296 A1	2/2004	Meli				
2004/0035143 A1	2/2004	Mogil				
2004/0074936 A1	4/2004	McDonald				

(56)

References Cited

U.S. PATENT DOCUMENTS

2011/0003975	A1	1/2011	Arase et al.	
2011/0005042	A1	1/2011	Thomas et al.	
2011/0005739	A1	1/2011	Finney et al.	
2011/0030415	A1	2/2011	Breyburg et al.	
2011/0097442	A1	4/2011	Harju et al.	
2011/0108562	A1	5/2011	Lyons	
2011/0155611	A1	6/2011	Armstrong	
2011/0167863	A1*	7/2011	Herrbold .....	F25D 3/08 62/457.1
2011/0182532	A1	7/2011	Baltus	
2011/0191933	A1	8/2011	Gregory et al.	
2011/0284601	A1	11/2011	Pullin	
2011/0311166	A1	12/2011	Pascua	
2012/0106130	A1	5/2012	Beaudette	
2012/0137637	A1	6/2012	Gillis	
2012/0180184	A1	7/2012	Crye	
2012/0181211	A1	7/2012	Charlebois	
2012/0187138	A1	7/2012	Vasquez et al.	
2012/0261445	A1	10/2012	Demskey	
2012/0294550	A1	11/2012	Hassman et al.	
2012/0311828	A1	12/2012	Nir	
2012/0318808	A1	12/2012	McCormick	
2013/0014355	A1	1/2013	Lee	
2013/0043285	A1	2/2013	Cordray	
2013/0174600	A1	7/2013	Sarcinella	
2013/0200083	A1	8/2013	Cunningham	
2013/0216158	A1	8/2013	Meldeau et al.	
2013/0243354	A1	9/2013	Lytle	
2013/0264350	A1	10/2013	Handlon et al.	
2013/0294712	A1	11/2013	Seuk	
2013/0341338	A1	12/2013	Mitchell et al.	
2014/0023295	A1	1/2014	Wagner	
2014/0034543	A1	2/2014	Grubstein	
2014/0138378	A1	5/2014	Lequeux	
2014/0151172	A1	6/2014	Diaz	
2014/0226920	A1	8/2014	Passavia	
2014/0248003	A1	9/2014	Mogil et al.	
2014/0254956	A1	9/2014	Buell, III	
2014/0270590	A1	9/2014	Ostroy	
2014/0304954	A1	10/2014	La Rocca et al.	
2014/0345314	A1	11/2014	Cox et al.	
2014/0353347	A1	12/2014	Fischer	
2014/0359978	A1	12/2014	Wang	
2014/0366336	A1	12/2014	Chung	
2014/0369629	A1	12/2014	De La Fuente Lara	
2015/0008242	A1	1/2015	Kpabar, Jr.	
2015/0114024	A1	4/2015	Grepper	
2015/0114978	A1	4/2015	James, Jr.	
2015/0136796	A1	5/2015	Muehlhauser	
2015/0143672	A1	5/2015	Konaka et al.	
2015/0164153	A1	6/2015	Tsai	
2015/0175338	A1	6/2015	Culp et al.	
2015/0201722	A1	7/2015	Brouard	
2015/0225164	A1	8/2015	Seiders et al.	
2015/0296945	A1	10/2015	Douglas	
2015/0305402	A1	10/2015	Bourgoin	
2015/0335202	A1	11/2015	Wisner et al.	
2015/0353263	A1	12/2015	Seiders et al.	
2016/0058142	A1	3/2016	Buynar	
2016/0066817	A1	3/2016	Hannes	
2016/0095405	A1	4/2016	Wang	
2016/0100661	A1	4/2016	Redzisz et al.	
2016/0101924	A1	4/2016	Mitchell et al.	
2016/0107801	A1	4/2016	Armstrong	
2016/0107816	A1	4/2016	Larpenteur et al.	
2016/0198812	A1	7/2016	Tan	
2016/0198901	A1	7/2016	De Lesseux et al.	
2016/0221722	A1	8/2016	Burke et al.	
2016/0236849	A1	8/2016	Seiders et al.	
2016/0255943	A1	9/2016	Houston et al.	
2016/0257479	A1	9/2016	Seiders et al.	
2016/0338462	A1	11/2016	Hayashi	
2016/0338908	A1	11/2016	Rice et al.	
2016/0355319	A1	12/2016	Stephens	
2017/0036844	A1	2/2017	Seiders et al.	

2017/0066559	A1	3/2017	Kim et al.
2017/0071304	A1	3/2017	Wang
2017/0071305	A1	3/2017	Wang
2017/0099920	A1	4/2017	Bailey
2017/0119116	A1	5/2017	Bradley
2017/0121059	A1	5/2017	Faris
2017/0137205	A1	5/2017	Graf et al.
2017/0208907	A1	7/2017	Chung
2017/0210542	A1	7/2017	Seiders et al.
2017/0225872	A1	8/2017	Collie
2017/0265604	A1	9/2017	Martinson et al.
2017/0280937	A1	10/2017	Mogil et al.
2018/0016084	A1	1/2018	Xia et al.
2018/0078008	A1	3/2018	Sturm
2018/0098607	A1	4/2018	Seiders et al.
2018/0162626	A1	6/2018	Munie et al.
2018/0220760	A1	8/2018	Lin
2018/0229911	A1	8/2018	Luo
2018/0235324	A1	8/2018	Gordon
2018/0242701	A1	8/2018	Seiders et al.
2018/0263346	A1	9/2018	Stephens
2018/0279733	A1	10/2018	Young et al.
2018/0317620	A1	11/2018	Larson et al.
2018/0360172	A1	12/2018	Chou
2018/0370710	A1	12/2018	Luo
2019/0008256	A1	1/2019	Basham
2019/0037976	A1	2/2019	Cheng
2019/0071238	A1	3/2019	Seiders et al.
2019/0077577	A1	3/2019	Brandes
2019/0133281	A1	5/2019	Munie et al.
2019/0142116	A1	5/2019	Cheng
2019/0142117	A1	5/2019	Myerscough et al.
2019/0170422	A1	6/2019	Dexter
2020/0029658	A1	1/2020	Zhang
2020/0037711	A1	2/2020	Kayahara et al.
2020/0172320	A1	6/2020	Dong

FOREIGN PATENT DOCUMENTS

AU	201614230	S	8/2016
BE	1015808	A6	9/2005
BR	302019001991-0001		10/2019
CA	2243820	A1	1/2000
CA	89737	A	6/2000
CA	2300014	A1	8/2001
CA	2327764	A1	6/2002
CA	2433251	A1	12/2004
CA	2483802	A1	4/2006
CA	2498796	A1	9/2006
CA	2499291	A1	9/2006
CA	2503473	A1	10/2006
CA	2548064	A1	11/2007
CA	2549327	A1	11/2007
CA	2633223	A1	12/2009
CA	2782668	A1	12/2013
CA	2548064	C	3/2014
CA	163677	A	6/2016
CN	2125339	U	12/1992
CN	2188899	Y	2/1995
CN	2207742	Y	9/1995
CN	2296114	Y	11/1998
CN	1832826	A	9/2006
CN	1883333	A	12/2006
CN	201062136	Y	5/2008
CN	201351017	Y	11/2009
CN	201948200	U	8/2011
CN	101500900	B	9/2011
CN	102232160	A	11/2011
CN	301956022		6/2012
CN	102717977	A	10/2012
CN	302137314		10/2012
CN	202619972	U	12/2012
CN	202635944	U	1/2013
CN	202807322	U	3/2013
CN	202959175	U	6/2013
CN	103385657	A	11/2013
CN	302623771		11/2013
CN	302623775		11/2013
CN	302746176		2/2014

(56)

## References Cited

FOREIGN PATENT DOCUMENTS					
CN	302769710	3/2014	EM	006820619-0001	12/2020
CN	103763994 A	4/2014	EM	008306195-0001	12/2020
CN	302868215	7/2014	EM	008592307-0001	7/2021
CN	302877656	7/2014	EP	0037545 A2	10/1981
CN	104085612 A	10/2014	EP	0082131 A2	6/1983
CN	302956550	10/2014	EP	85534 A1	8/1983
CN	204091227 U	1/2015	EP	0158634 A1	10/1985
CN	204120419 U	1/2015	EP	0174159 A2	3/1986
CN	303100086	2/2015	EP	0238932 A1	9/1987
CN	104709603 A	6/2015	EP	1386557 B1	4/2007
CN	204444667 U	7/2015	EP	003811264-0010	3/2017
CN	204548946 U	8/2015	EP	003841857-0002	4/2017
CN	303342902	8/2015	EP	004122430-0001	8/2017
CN	204763894 U	11/2015	EP	004162337-0001	9/2017
CN	204802380 U	11/2015	EP	004162337-0002	9/2017
CN	303459386	11/2015	EP	004162337-0003	9/2017
CN	105231621 A	1/2016	EP	004162337-0004	9/2017
CN	105520325 A	4/2016	EP	004162337-0005	9/2017
CN	105819110 A	8/2016	EP	004162337-0006	9/2017
CN	304154180	6/2017	EP	004424059-0002	10/2017
CN	304181831	6/2017	EP	004417749-0003	11/2017
CN	304207295	7/2017	EP	004494086-0016	11/2017
CN	304259949	8/2017	EP	004494086-0017	11/2017
CN	304342577	11/2017	EP	002719245-0001	1/2018
CN	304373532	11/2017	EP	005269248-0002	5/2018
CN	304527075	3/2018	EP	005303559-0001	7/2018
CN	304906858	11/2018	EP	005303559-0003	7/2018
CN	208259266 U	12/2018	ES	D0530973-34	1/2020
CN	209807329 U	12/2019	FR	1269009 A	8/1961
DE	3539626 A1	5/1987	FR	2440886 A1	6/1980
DE	20002689 U1	8/2000	FR	20182961-001	9/2018
DE	202011050174 U1	7/2011	GB	191415563 A	6/1915
DE	202013101115 U1	3/2013	GB	1600133 A	10/1981
DE	402018000462-0021	9/2018	GB	2249717 A	5/1992
EM	000122668-0002	5/2004	GB	2023549 A	9/1992
EM	001067250-0003	2/2009	GB	2335972 A	10/1999
EM	001188460-0003	2/2010	GB	3004135	9/2002
EM	001188460-0004	2/2010	GB	3006367	10/2002
EM	001909490-0001	8/2011	GB	6028395	2/2018
EM	001952722-0008	11/2011	GB	9008149702-0001	8/2020
EM	002073452-0001	8/2012	GB	9008149702-0002	8/2020
EM	002085308-0003	8/2012	GB	9008149702-0003	8/2020
EM	002163527-0017	1/2013	GB	9008306195-0001	12/2020
EM	002182642-0001	2/2013	JP	11051532	2/1999
EM	002225706-0001	5/2013	JP	3275477 B2	4/2002
EM	002262436-0001	7/2013	JP	D1160335	12/2002
EM	002264697-0002	7/2013	JP	2003026258 A	1/2003
EM	002284729-0004	8/2013	JP	D1213384	8/2004
EM	002322552-0001	10/2013	JP	D1242111	6/2005
EM	002476853-0001	6/2014	JP	2010023926 A	2/2010
EM	002476853-0002	6/2014	JP	D1445624	7/2012
EM	002530519-0001	9/2014	JP	D1469606	5/2013
EM	002605345-0004	12/2014	JP	D1531414	8/2015
EM	002609404-0001	1/2015	JP	D1543325	8/2015
EM	002676536-0001	6/2015	JP	D1658594	4/2020
EM	002745190-0001	9/2015	KR	20020027739 A	4/2002
EM	003117324-0009	5/2016	KR	20040092730 A	11/2004
EM	003329929-0001	8/2016	KR	101282512 B1	7/2013
EM	003409044-0008	10/2016	KR	300778570.0000	1/2015
EM	003504331-0027	12/2016	KR	300808669.0000	8/2015
EM	003733021-0001	2/2017	KR	300835242.0000	1/2016
EM	004100048-0001	9/2017	KR	300853718.0000	5/2016
EM	004100048-0002	9/2017	KR	300967041.0000	8/2018
EM	003328608-0009	2/2019	KR	300968949.0000	8/2018
EM	005954534-0001	3/2019	KR	300978269.0000	10/2018
EM	005954534-0002	3/2019	KR	300982993.0000	11/2018
EM	005954534-0003	3/2019	KR	300984157.0000	12/2018
EM	005954534-0004	3/2019	KR	300990517.0000	1/2019
EM	007558580-0001	5/2020	KR	300990523.0000	1/2019
EM	008206833-0014	10/2020	KR	301004401.0000	4/2019
EM	008206833-0015	10/2020	KR	301062695.0000	6/2020
EM	008206833-0016	10/2020	KR	301084294.0000	11/2020
EM	008149702-0001	11/2020	KR	301108516.0000	5/2021
EM	008149702-0002	11/2020	KR	3020210000796	7/2021
EM	008149702-0003	11/2020	KR	301123726.0000	8/2021
			TW	M572678 U	1/2019
			WO	9524146 A2	9/1995
			WO	9812954 A1	4/1998
			WO	02058500 A1	8/2002



(56)

## References Cited

## FOREIGN PATENT DOCUMENTS

WO	2006007266	A2	1/2006
WO	2006058538	A1	6/2006
WO	2007016092	A2	2/2007
WO	2010106296	A2	9/2010
WO	2010120199	A1	10/2010
WO	2012003543	A1	1/2012
WO	2014033450	A1	3/2014
WO	2014066026	A1	5/2014
WO	2016066817	A1	5/2016
WO	2017091761	A1	6/2017
WO	2017136754	A1	8/2017
WO	2017197230	A1	11/2017
WO	2018152402	A1	8/2018
WO	2018165426	A1	9/2018
WO	2019135922	A1	7/2019

## OTHER PUBLICATIONS

United States District Court Southern District of Texas Houston Division, "Plaintiff YETI's Complaint for Patent Infringement", *YETI Coolers, LLC v. Igloo Products Corporation*, Case 4:21-cv-00505, filed Feb. 12, 2021, 98 pages.

Oct. 19, 2020—(NZ) Patent Examination Report 1—App. No. 759046.

amazon.com, "Meal Prep Lunch Bag/Box For Men, Women+3 Large Food Containers (45oz)+2 Big Reusable Ice Packs+Shoulder Strap+Shaker With Storage. Insulated Lunchbox Cooler Tote. Adult Portion Control Set," visited May 7, 2019 at <<https://www.amazon.com/Meal-Containers-Reusable-Shoulder-Insulated/dp/B01MU2YS18/>>.

Jan. 12, 2021—(CN) Fourth Office Action—App. No. 201680076714.8.

Feb. 3, 2021—(EP) Extended Search Report—App. No. 18813247.6.

Feb. 24, 2021—(WO) International Search Report & Written Opinion—PCT/US20/059783.

Apr. 7, 2021—(NZ) Examination Report 2—App. No. 759046.

Apr. 6, 2021—(CN) First Office Action—App. No. 201880035443.0.

Apr. 26, 2021—(CN) Rejection Decision—App. No. 201680076714.8.

amazon.com, "Lille Home 2nd Gen 22oz Stainless Steel Leakproof Lunch Box, Insulated Bento Box/Food Container with Insulated Lunch Bag | Durable Handles and Lid | Adults, Kids | Men, Women (Green)," visited May 8, 2019 at <<https://www.amazon.com/dp/B07MBDD29C/>>.

Jun. 28, 2021—(EP) Office Action—App. No. 18830667.4.

United States District Court Eastern District of Missouri Eastern Division, "Complaint, 'Complaint for Damages and Injunctive Relief'", *YETI Coolers, LLC v. Discover Home Products, LLC*, Case 4:21-cv-00836, Document 1, filed Jul. 9, 2021, 68 pages.

May 7, 2021—(CN) Rejection Decision—App. No. 201780020473.X.

United States District Court Western District of Texas, Austin Division, "Complaint for Damages and Injunctive Relief tor: (1)-(12) Patent Infringement in Violation of 35 U.S.C. § 271; and (13) Breach of Contract", *YETI Coolers, LLC v. RTIC Outdoors, LLC; and Corporate Support & Fulfillment, LLC*, Case 1:21-cv-00214, filed Mar. 5, 2021, 338 pages.

Stopper Dry Bag, <http://www.seatosummit.com/products/display/181>, published date unknown, but prior to the filing date of the present application, Sea To Summit, United States.

Icemule Classic Cooler—Large (20L), <http://www.icemulecooler.com/icemule-classic-cooler-large-20l/>, published date unknown, but prior to the filing date of the present application, Icemule, United States.

Devonbuy.com: Thule Gauntlet 13" MacBook Pro Attaché. Published on Jul. 28, 2014. Retrieved from the internet at <<http://www.devonbuy.com/thule-gauntlet-13-macbook-pro-attache/>>, Feb. 24, 2016. 9 pages.

United States District Court for the Western District of Texas, Austin Division, "Defendants' Answer and Counterclaims to YETI's Complaint," *YETI Coolers, LLC, vs. RTIC Soft Sided Coolers, LLC, RTIC Coolers, LLC, RTIC Web Services, LLC, and Corporate Support and Fulfillment, LLC*, Case 1:16-cv-00909-RP, Document 11, Filed Aug. 18, 2016, 44 pages.

United States District Court Western District of Texas, Austin Division, "Complaint," *YETI Coolers, LLC, v. RTIC Soft Side Coolers, RTIC Coolers, LLC, RTIC Web Services, LLC, and Corporate Support and Fulfillment, LLC*, Case 1:16-cv-00909. Document 1, Filed Jul. 27, 2016, 66 pages.

United States District Court Western District of Texas, Austin Division, "Complaint for Damages and Injunctive Relief," *YETI Coolers, LLC v. Jennifer Leverne Bootz Evans d/b/a Bling and Burlap Buy In's and Blanks*, Case 1:15-cv-00995, Document 1, Filed Nov. 2, 2015, 128 pages.

United States District Court Western District of Texas, Austin Division, "Order," *YETI Coolers, LLC v. Jennifer Leverne Bootz Evans d/b/a Bling and Burlap Buy In's and Blanks*, Case 1:15-cv-00995-RP, Document 18, Filed Apr. 18, 2016, 1 page.

United States District Court Western District of Texas, Austin Division, "Defendant's Reply in Support of Their Rule 12 (B)(6) Motion to Dismiss for Failure to State a Claim" *YETI Coolers, LLC v. RTIC Soft Sided Coolers, LLC, RTIC Coolers, LLC, RTIC Web Services, LLC, and Corporate Support and Fulfillment, LLC*, Case 1:16-cv-00909-RP, Document 15, Filed Sep. 2016, 13 pages.

United States District Court Western District of Texas, Austin Division, "YETI's Answer to RTIC's Counterclaims," *YETI Coolers, LLC v. RTIC Soft Sided Coolers, LLC, RTIC Coolers, LLC, RTIC Web Services, LLC, and Corporate Support and Fulfillment, LLC*, Case 1:16-cv-00909-RP, Document 14, Filed Sep. 2, 2016, 16 pages.

United States District Court Western District of Texas, Austin Division, "YETI's Opposition to RTIC's Motion to Dismiss," *YETI Coolers, LLC v. RTIC Soft Sided Coolers, LLC, RTIC Coolers, LLC, RTIC Web Services, LLC, and Corporate Support and Fulfillment, LLC*, Case 1:16-cv-00909-RP, Document 13, Filed Sep. 1, 2016, 17 pages.

United States District Court for the Western District of Texas, Austin Division, "Defendants' Rule 12(B)(6) Motion to Dismiss for Failure to State a Claim," *YETI Coolers, LLC, vs. RTIC Soft Sided Coolers, LLC, RTIC Coolers, LLC, RTIC Web Services, LLC, and Corporate Support and Fulfillment, LLC*, Case 1:16-cv-00909-RP, Document 10, Filed Aug. 18, 2016, 12 pages.

United States District Court for the Western District of Texas, Austin Division, "Joint Rule 26(f) Report and Discovery Plan," *YETI Coolers, LLC, vs. RTIC Soft Sided Coolers, LLC, RTIC Coolers, LLC, RTIC Web Services, LLC, and Corporate Support and Fulfillment, LLC*, Case 1:16-cv-00909-RP, Document 19, Filed Oct. 11, 2016, 9 pages.

Petition for Inter Partes Review of U.S. Pat. No. 9,139,352, filed on Dec. 13, 2016, 1616 pages.

TheGadgeteer.com: Tom Bihn Camera I-O Bag Review. Published Jul. 9, 2012. Retrieved from the internet at <<http://the-gadgeteer.com/2012/07/09/tom-bihn-camera-i-o-bag-review/>>, Jan. 11, 2016. 7 pages.

YouTube.com: Patagonia Black Hole Duffel 60L. Published Aug. 26, 2013. Retrieved from the internet at <<https://www.youtube.com/watch?v=W-PWEmZmVv8>>, Dec. 19, 2016. 1 page.

Youtube, "YETI Hopper Cooler at ICAST 2014", Uploaded by user "TackleDirect" on Jul. 17, 2014, Accessed Jan. 31, 2017. (<https://www.youtube.com/watch?v=A2rKRdyZcZA>).

EBags, Picnic Pack Picnic Pack Large Insulated Cooler Tote, First reviewed on Jul. 20, 2016. Accessed Feb. 7, 2017. (<http://www.ebags.com/product/picnic-pack/picnic-pack-large-insulated-cooler-tote/313704?productid=10428840>).

United States Patent and Trademark Office Before the Patent Trial and Appeal Board, Decisions Joint Motions to Terminate Inter Partes Review, Entered Mar. 22, 2017—(4 pgs).

(56)

## References Cited

## OTHER PUBLICATIONS

Jan. 31, 2017—(WO) International Search Report and Written Opinion—App. PCT/US2016/060135.

Mar. 27, 2017—(WO) International Search Report and Written Opinion—App PCT/US2017/016552.

May 8, 2017—U.S. Non-Final Office Action—U.S. Appl. No. 15/154,626.

May 22, 2015—U.S. Non-Final Office Action—U.S. Appl. No. 14/479,607.

United States District Court Western District of Texas Austin Division, “Complaint,” *YETI Coolers, LLC v. Glacier Coolers, LLC, and Tecomate Holdings, LLC*, Case 1:17-cv-00586, Document 1, filed Jun. 15, 2017, 161 pages.

May 30, 2017—(WO) ISR—App. No. PCT/US17/32351.

May 30, 2017—(WO) Written Opinion—App. No. PCT/US17/32351.

Vimeo, “Cleaning Your YETI Hopper” uploaded by user YETI Coolers” on Nov. 4, 2014, Accessed Sep. 27, 2017. (<https://vimeo.com/110890075>).

Sep. 13, 2017—U.S. Final Office Action—U.S. Appl. No. 15/137,838.

Nov. 24, 2017—U.S. Final Office Action—U.S. Appl. No. 15/154,626.

Good Housekeeping, “Lands’ End Zip Top Cooler Tote #433786”, Reviewed on Apr. 2014, Accessed Nov. 18, 2017. (<http://www.goodhousekeeping.com/travel-products/food-cooler-reviews/a33270/lands-end-zip-top-cooler-tote-433786/>).

Home Shopping Network, “Built New York Large Welded Cooler Bag”, Accessed Nov. 18, 2017. (<https://www.hsn.com/products/built-new-york-large-welded-cooler-bag/8561033>).

Feb. 9, 2018—U.S. Non-Final Office Action—U.S. Appl. No. 15/451,064.

May 24, 2018—U.S. Non-final Office Action—U.S. Appl. No. 15/790,926.

Aug. 29, 2018 (WO)—International Search Report and Written Opinion—App. No. PCT/US18/36608.

Mar. 21, 2019—(WO) International Search Report and Written Opinion—App. No. PCT/US2018/066040.

Feb. 4, 2019—(AU) Examination Report—App. No. 2017263566.

Jul. 3, 2019—(CN) First Office Action—App. No. 201780042659.5.

Jun. 5, 2019—(AU) Notice of Acceptance for Patent Application—App 2017263566.

Oct. 2, 2019—(CN) Examiner’s Report—App. No. 2017032351.

Jun. 3, 2019—(CN) First Office Action—App. No. 201680076714.8.

amazon.com, “E-Manis Insulated Lunch Bag Adult Lunch Box Collapsible Multi-Layers Thermal Insulated Oxford Lunch Tote Cooler Bag for Men, women (grey),” visited May 7, 2019 at <[https://www.amazon.com/MANIS-Insulated-Portable-Cooler-School/dp/B07BMT6948/ref=sr\\_1\\_23?keywords=soft+sided+cooler+lunch+box&qid=1557170800&s=home-garden&sr=1-23](https://www.amazon.com/MANIS-Insulated-Portable-Cooler-School/dp/B07BMT6948/ref=sr_1_23?keywords=soft+sided+cooler+lunch+box&qid=1557170800&s=home-garden&sr=1-23)>.

amazon.com, “Zuzuro Lunch Bag Insulated Cooler Lunch Box w/ 3 Compartment—Heavy-Duty Fabric, Strong SBS Zippers—Includes 3 Meal Prep Lunch box Containers +2 Ice Packs. For Men Women Adults (Black),” visited May 7, 2019 at <[https://www.amazon.com/Zuzuro-Lunch-Insulated-Cooler-Compartment/dp/B079DZ2L1F/ref=sr\\_1\\_14?keywords=lunch+box+lid+ice+pack&qid=1557245496&s=gateway&sr=8-14](https://www.amazon.com/Zuzuro-Lunch-Insulated-Cooler-Compartment/dp/B079DZ2L1F/ref=sr_1_14?keywords=lunch+box+lid+ice+pack&qid=1557245496&s=gateway&sr=8-14)>.

amazon.com, “MIER Portable Thermal Insulated Cooler Bag Mini Lunch Bag for Kids, Black,” visited May 7, 2019, at <<https://www.amazon.com/MIER-Portable-Thermal-Insulated-Cooler/dp/B01145L2JM/>>.

amazon.com, “Srotek Lunch Bag Insulated Lunch Box Tote Bag Cooler Bag Water-resistant Cute Lunch Bag Wide-open Thermal Tote Kit for Women/Girls/Work/Picnic, Grey Flamingo,” visited May 7, 2019 at <[https://www.amazon.com/dp/B07N57JSJS/ref=sspa\\_dk\\_detail\\_9?psc=1&pd\\_rd\\_i=B07N57JSJS](https://www.amazon.com/dp/B07N57JSJS/ref=sspa_dk_detail_9?psc=1&pd_rd_i=B07N57JSJS)>.

amazon.com, “MIER Insulated Double Casserole Carrier Thermal Lunch Tote for Potluck Parties, Picnic, Beach—Fits 9"×13" Casserole Dish, Expandable, Orange,” visited May 7, 2019 at <<https://www.amazon.com/MIER-Insulated-Casserole-Carrier-Thermal/dp/B01N0PW119/>>.

amazon.com, “Lifewit Insulated Casserole Dish Carrier Thermal Lasagna Luger for Potluck Parties/Picnic/Beach, Lunch Bag to Keep Food Hot/Cold, 16.3×12.6×4.7", Grey,” visited May 7, 2019 at <[https://www.amazon.com/dp/B07BFWJPV5/ref=sspa\\_dk\\_detail\\_6?psc=1&pd\\_rd\\_i=B07BFWJPV5&pd\\_rd\\_w=tr7Ke&pf\\_rd\\_p=46cdcfa7-b302-4268-b799-8f7d8cb5008b&pd\\_rd\\_wg=jq3TO&pf\\_rd\\_r=W7MFCBJR9DR0HV3AKZZB&pd\\_rd\\_r=604844a0-70d3-11e9-ad99-d763d3fc76f8](https://www.amazon.com/dp/B07BFWJPV5/ref=sspa_dk_detail_6?psc=1&pd_rd_i=B07BFWJPV5&pd_rd_w=tr7Ke&pf_rd_p=46cdcfa7-b302-4268-b799-8f7d8cb5008b&pd_rd_wg=jq3TO&pf_rd_r=W7MFCBJR9DR0HV3AKZZB&pd_rd_r=604844a0-70d3-11e9-ad99-d763d3fc76f8)>.

amazon.com, “Arctic Zone 2008IL515B42 Thermal Insulated Hot/Cold Food Carrier, Green,” visited May 7, 2019 at <[https://www.amazon.com/dp/B077T7FZBX/ref=sspa\\_dk\\_detail\\_0?psc=1&pd\\_rd\\_i=B077T7FZBX](https://www.amazon.com/dp/B077T7FZBX/ref=sspa_dk_detail_0?psc=1&pd_rd_i=B077T7FZBX)>.

amazon.com, “Lille 22oz Stainless Steel Leakproof Lunch Box, Insulated Bento Boxes | Thermal Food Container with Insulated Lunch Bag for Work | 2nd Gen with Durable Handle and Lid | BPA free | Adult, Women, Kid,” visited May 7, 2019 at <<https://www.amazon.com/Lille-Stainless-Leakproof-Insulated-Container/dp/B07HDTMJ7M/>>.

Dec. 13, 2019—(CN) First Office Action—App. No. 201780020473. United States District Court Western District of Texas, Austin Division, “Complaint for Damages and Injunctive Relief,” *YETI Coolers, LLC v. Olympia Tools International, Inc. d/b/a Coho Outdoors*, Case 1:19-cv-00912, Document 1, Filed Sep. 16, 2019, 235 pages.

United States District Court Western District of Texas, Austin Division, “Defendant Olympia Tools International, Inc. d/b/a Coho Outdoors’ Answer and Counterclaims to Plaintiff’s Original Complaint,” *YETI Coolers, LLC v. Olympia Tools International, Inc. d/b/a Coho Outdoors*, Case 1:19-cv-00912, filed Dec. 18, 2019, 48 pages.

Translation of FR 1269009A, Jackson, Jr., Jun. 26, 1961, p. 1, Fig. 2 (Year: 1961).

Mar. 20, 2020—(CN) Office Action—App. No. 201680076714.8.

Jul. 14, 2020—(CA) Office Action—App. No. 3024101. First Look: YETI Hopper Flip Soft Cooler Review | GearJunkie which was published on the website; <https://gearjunkie.com/review-yeti-hopper-flip-12-soft-cooler> on Jul. 12, 2016.

YETI Flip Review—YouTube which was published on the website <https://www.youtube.com/watch?v=97Vdb3lazdw> on Sep. 8, 2016.

Jul. 2, 2020—(AU) First Office Action—App. No. 201712263.

Jul. 2, 2020—(AU) First Office Action—App. No. 201712262.

Jul. 2, 2020—(AU) First Office Action—App. No. 201712264.

Jul. 2, 2020—(AU) First Office Action—App. No. 201712265.

Jul. 31, 2020—(CN) Second Office Action (with English Translation)—App. No. 201780020473.X.

Aug. 17, 2020—(CN) Third Office Action (with English Translation)—App. No. 201680076714.8.

Jan. 20, 2021—(CN) Third Office Action—App. No. 201780020473.X.

United States District Court Western District of Texas, Austin Division, “First Amended Complaint, ‘Complaint for Damages and Injunctive Relief for: (1)-(15) Patent Infringement in Violation of 35 U.S.C. § 271; and (16) Breach of Contract’”, *YETI Coolers, LLC v. RTIC Outdoors, LLC; and Corporate Support & Fulfillment, LLC*, Case 1:21-cv-00214-RP, Document 10, filed Jun. 2, 2021, 39 pages.

United States District Court Western District of Texas, Austin Division, “Answer of Defendants RTIC Outdoors, LLC and Corporate Support & Fulfillment, LLC to YETI’s Amended Complaint: (1)-(15) Patent Infringement in Violation of 35 U.S.C. § 271; and (16) Breach of Contract”, *YETI Coolers, LLC v. RTIC Outdoors, LLC; and Corporate Support & Fulfillment, LLC*, Case 1:21-cv-00214-RP, Document 16, filed Jun. 17, 2021, 79 pages (See pp. 45, 16, 66-77 alleging invalidity).

\* cited by examiner

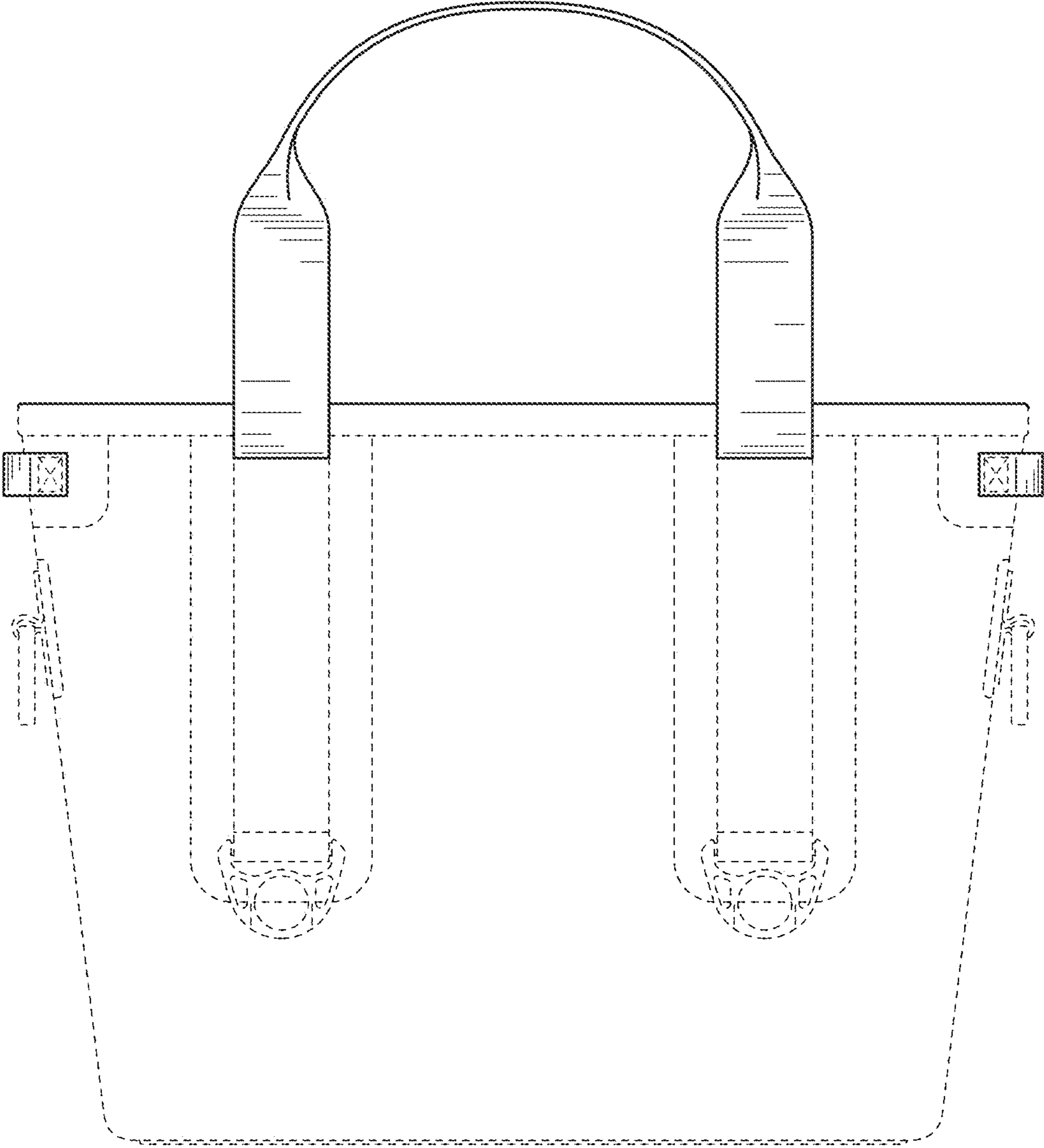


FIG. 1

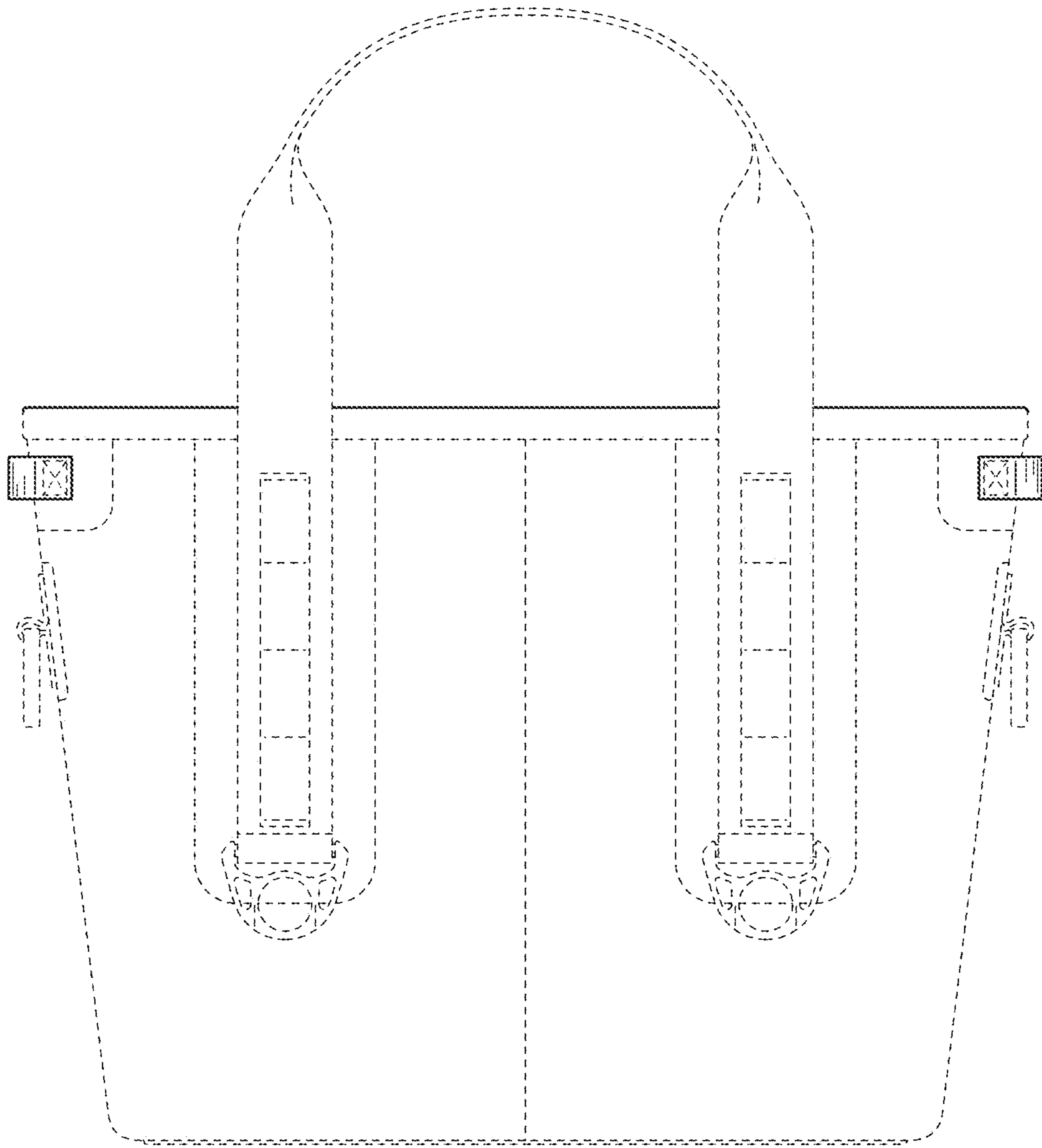


FIG. 2

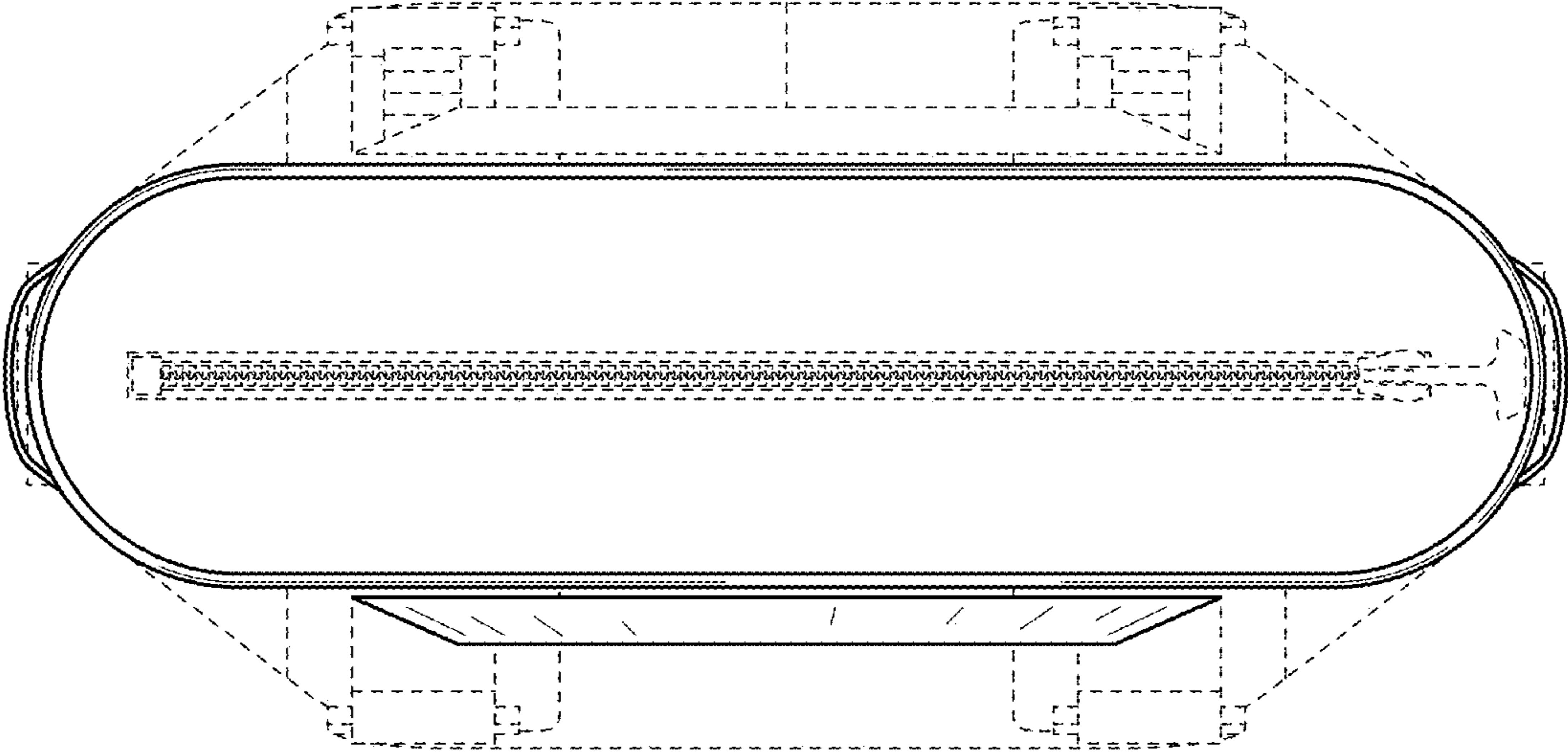


FIG. 3

UNITED STATES PATENT AND TRADEMARK OFFICE  
**CERTIFICATE OF CORRECTION**

PATENT NO. : D948,954 S  
APPLICATION NO. : 29/765085  
DATED : April 19, 2022  
INVENTOR(S) : Seiders et al.

Page 1 of 1

It is certified that error appears in the above-identified patent and that said Letters Patent is hereby corrected as shown below:

On the Title Page

Column 1, Related U.S. Application Data, Line 1:

Delete “(60)” and insert --(63)--

Page 2, Column 1, Related U.S. Application Data, Line 7:

After “9,139,352.”, insert --¶(60) Provisional application No. 61/937,310, filed on Feb. 7, 2014,  
provisional application No. 62/299,402, filed on Feb. 24, 2016, provisional application No.  
62/299,421, filed on Feb. 24, 2016, provisional application No. 62/292,024, filed on Feb. 5, 2016.--

Page 9, Column 2, Other Publications, Line 67:

Delete “Insultated” and insert --Insulated--

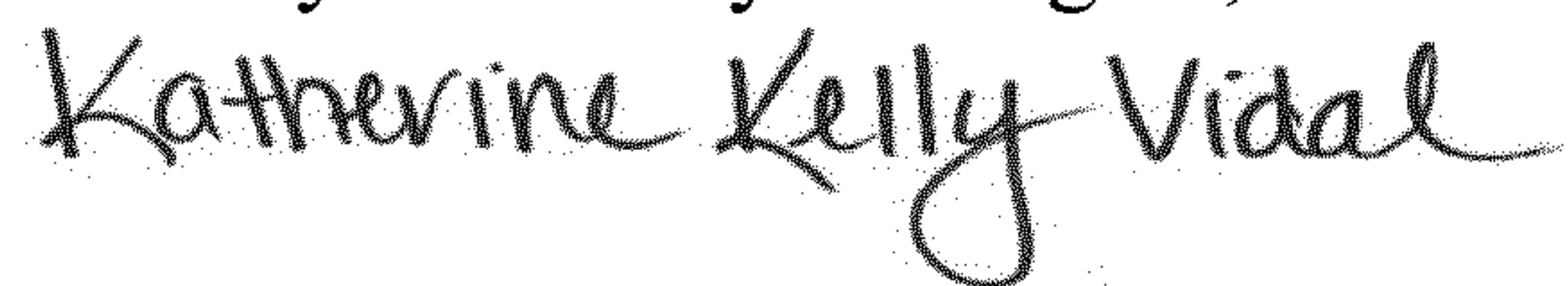
Page 10, Column 1, Other Publications, Line 37:

Delete “Actiont” and insert --Action--

Page 10, Column 2, Other Publications, Line 43:

Delete “wich” and insert --which--

Signed and Sealed this  
Twenty-third Day of August, 2022



Katherine Kelly Vidal  
*Director of the United States Patent and Trademark Office*