



US00D948953S

(12) **United States Design Patent** (10) **Patent No.:** **US D948,953 S**
Liu (45) **Date of Patent:** **** Apr. 19, 2022**

(54) **SPICE RACK**

(71) Applicant: **Shenzhen Aoyuantong Technology Co., Ltd., Shenzhen (CN)**

(72) Inventor: **peng Liu, Dalian (CN)**

(**) Term: **15 Years**

(21) Appl. No.: **29/705,420**

(22) Filed: **Sep. 11, 2019**

(51) **LOC (13) Cl.** **07-99**

(52) **U.S. Cl.**
USPC **D7/600.4**

(58) **Field of Classification Search**
USPC D7/590, 600.1, 600.4, 387, 401.1, 213,
D7/701, 704; D6/672, 675, 675.1, 675.2;
D25/62, 63, 68, 69; D19/65, 75, 81, 86,
D19/91
CPC A47J 47/16; A47B 47/00; A47B 47/0091;
A47B 73/002; A47B 81/00; A47B
81/007; A47F 7/00; A47F 5/10; A47F
5/13
See application file for complete search history.

(56) **References Cited**

U.S. PATENT DOCUMENTS

D186,561 S * 11/1959 Howard D6/566
D291,755 S * 9/1987 Chap D6/566
D739,681 S * 9/2015 Bee D7/600.4
D760,033 S * 6/2016 Khaitan D7/600.4
D873,081 S * 1/2020 Goodman D7/600.1
D909,138 S * 2/2021 Song D7/600.4
D912,471 S * 3/2021 Tsai D7/600.4

D913,753 S * 3/2021 Zheng D7/600.1
2010/0288717 A1* 11/2010 Morandi A47B 43/00
211/187
2011/0290750 A1* 12/2011 Lim A47B 96/021
211/153

OTHER PUBLICATIONS

Spice Rack Organizer | posted at Amazon.com, posted on Jun. 27, 2019, © 1996-2021 Amazon.com, [online], [site visited Jun. 17, 2021]. Available from Internet, <URL: https://www.amazon.com/SWOMMOLY-Square-Complete-Countertop-Cabinet/dp/B07TMVKCXN/> (Year: 2019).*

* cited by examiner

Primary Examiner — Andrew Kerr

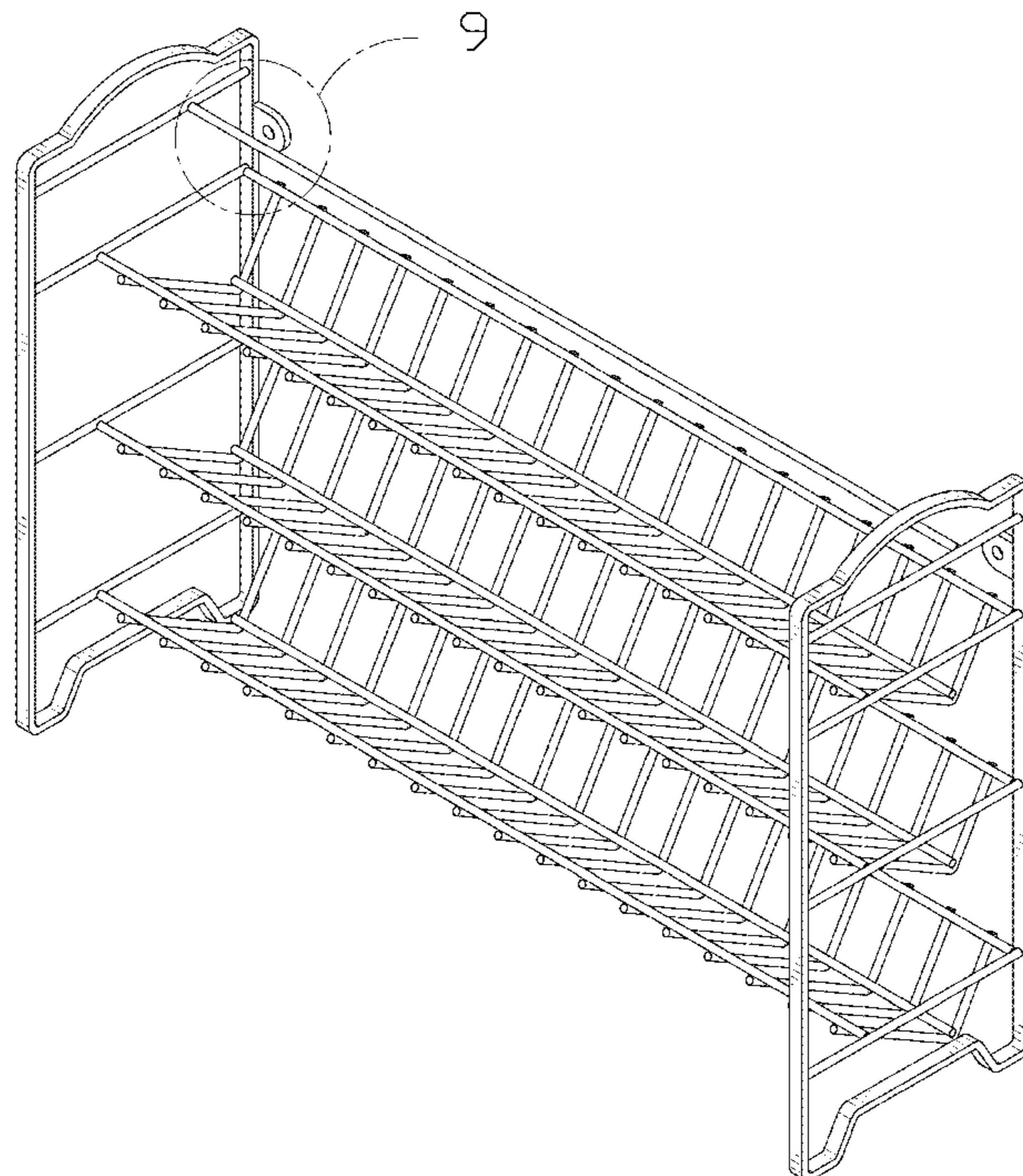
(57) **CLAIM**

The ornamental design for a spice rack, as shown and described.

DESCRIPTION

FIG. 1 is a front and top perspective view of a spice rack, showing my new design;
FIG. 2 is a rear and bottom perspective view thereof;
FIG. 3 is a front elevational view thereof;
FIG. 4 is a rear elevational view thereof;
FIG. 5 is a left side elevational view thereof;
FIG. 6 is a right side elevational view thereof;
FIG. 7 is a top plan view thereof;
FIG. 8 is a bottom plan view thereof; and,
FIG. 9 is an enlarged view of a portion indicated in FIG. 1. The dash-dot broken line represents the boundary of the enlarged partial view and forms no part of the claimed design.

1 Claim, 9 Drawing Sheets



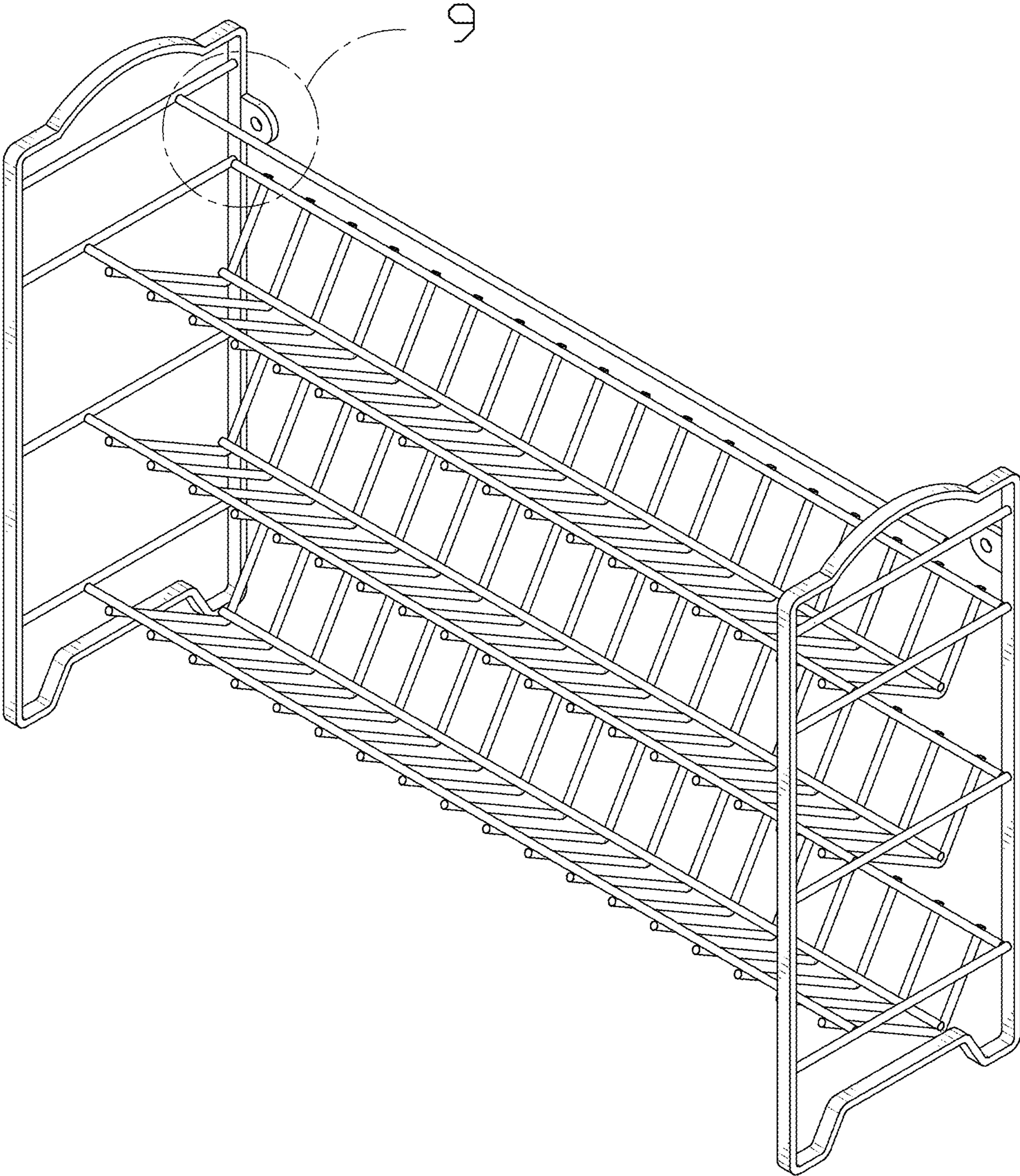


FIG. 1

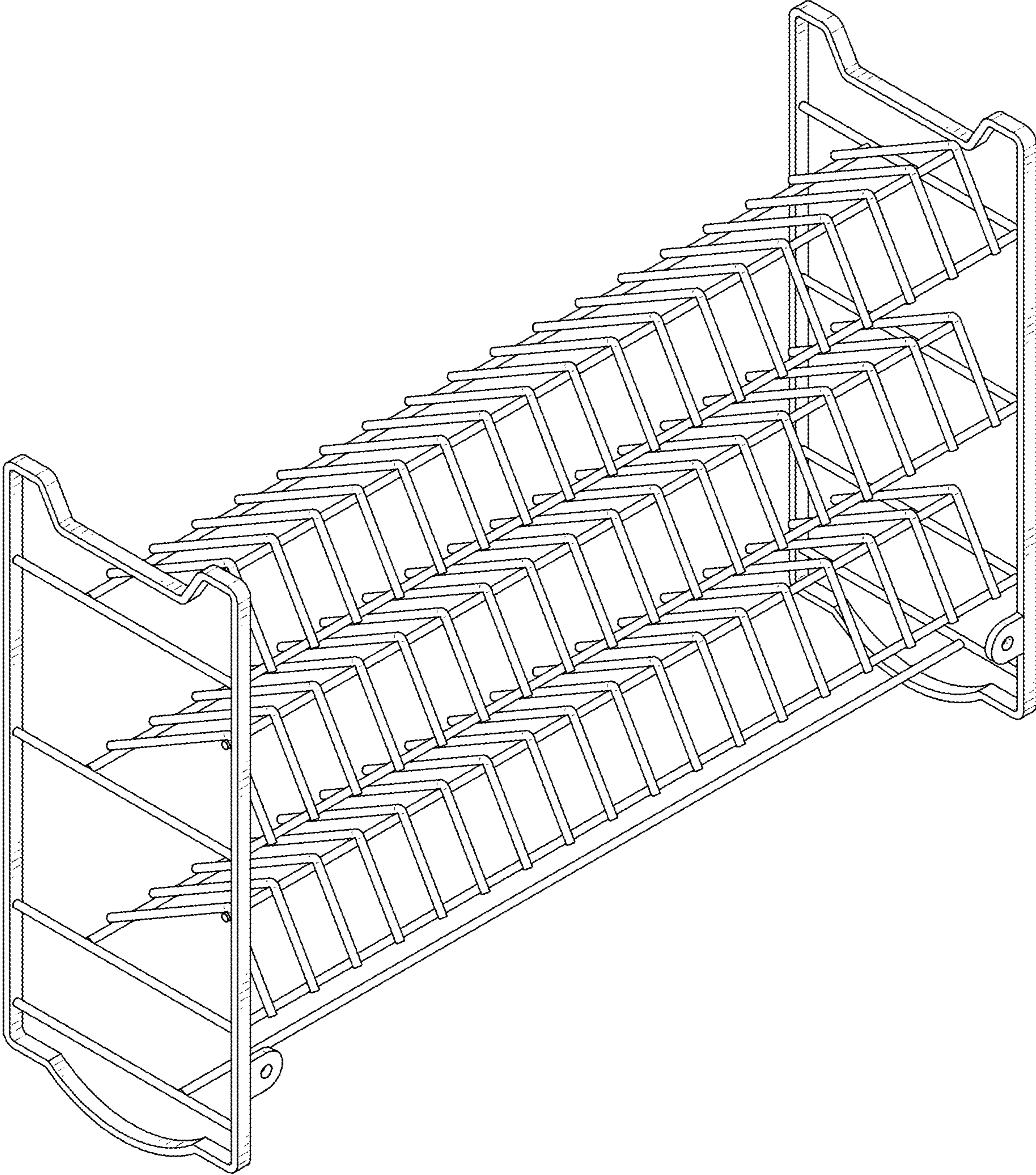


FIG. 2

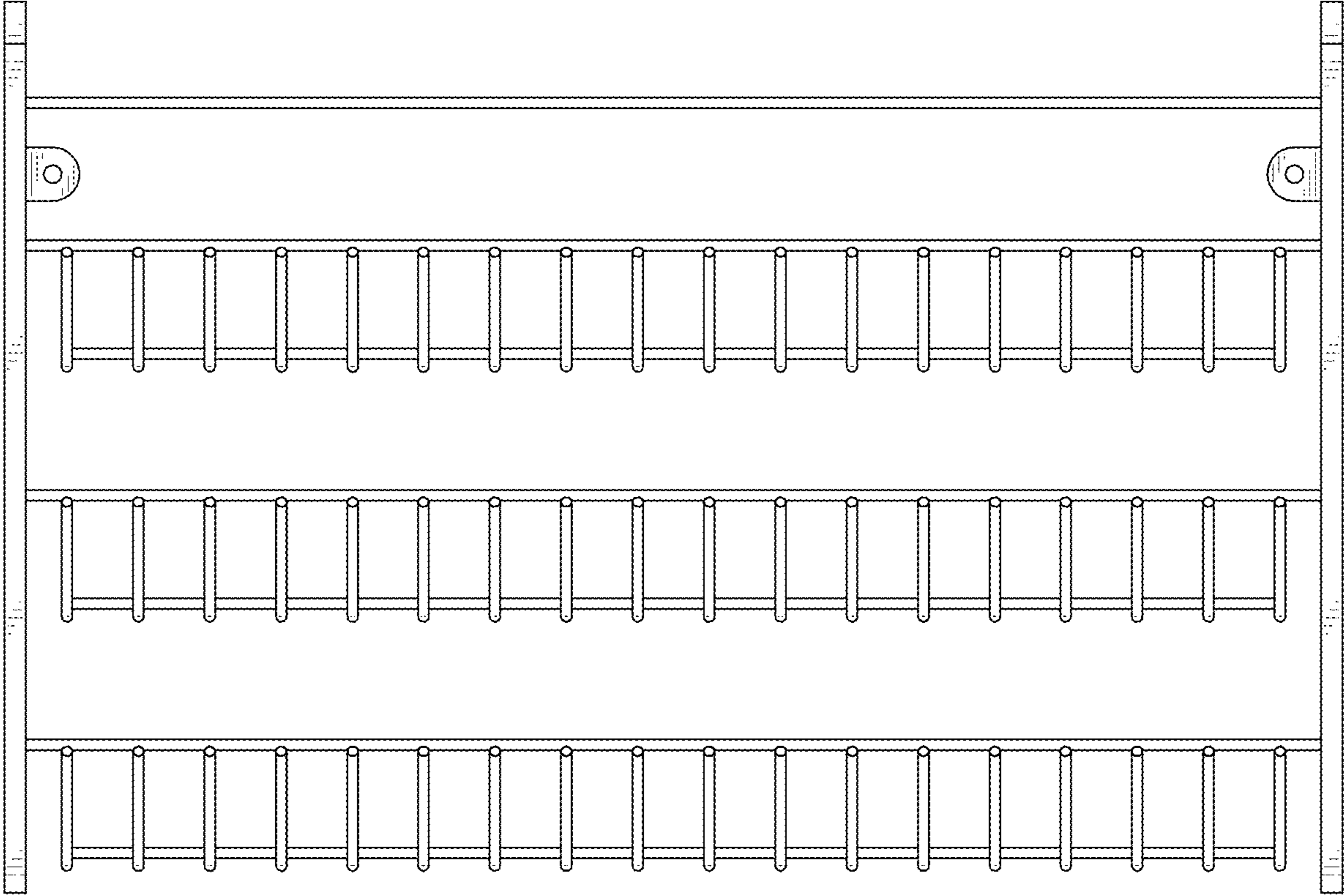


FIG. 3

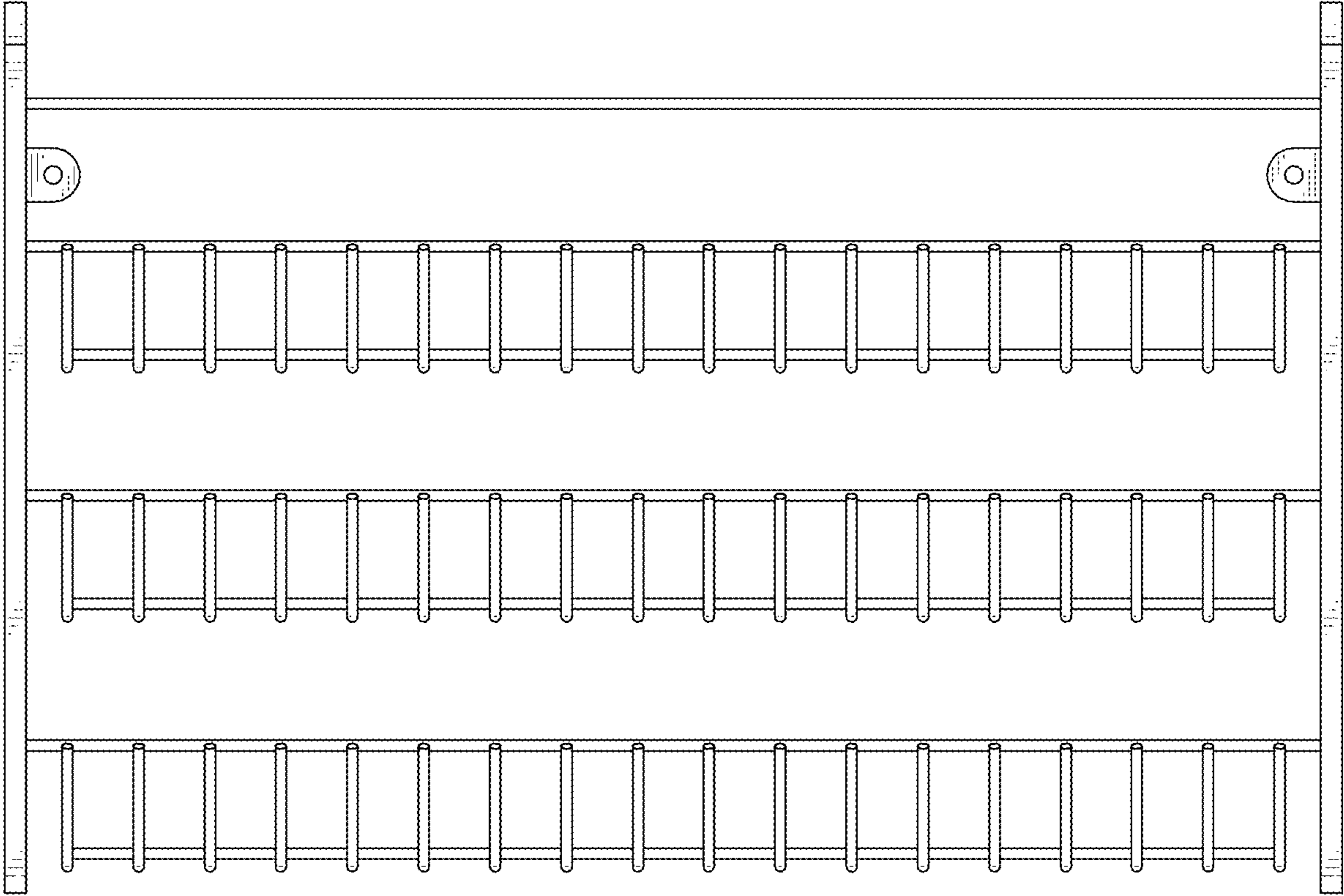


FIG. 4

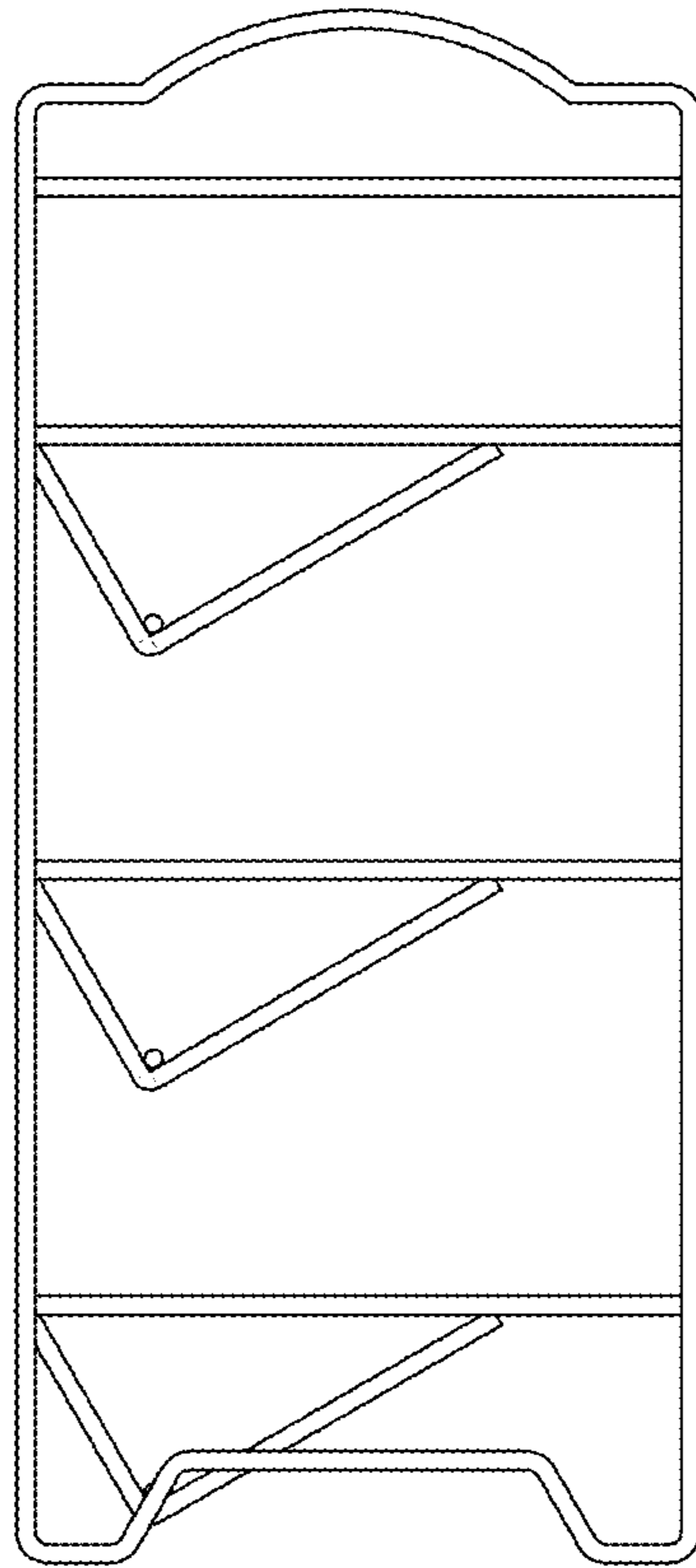


FIG. 5

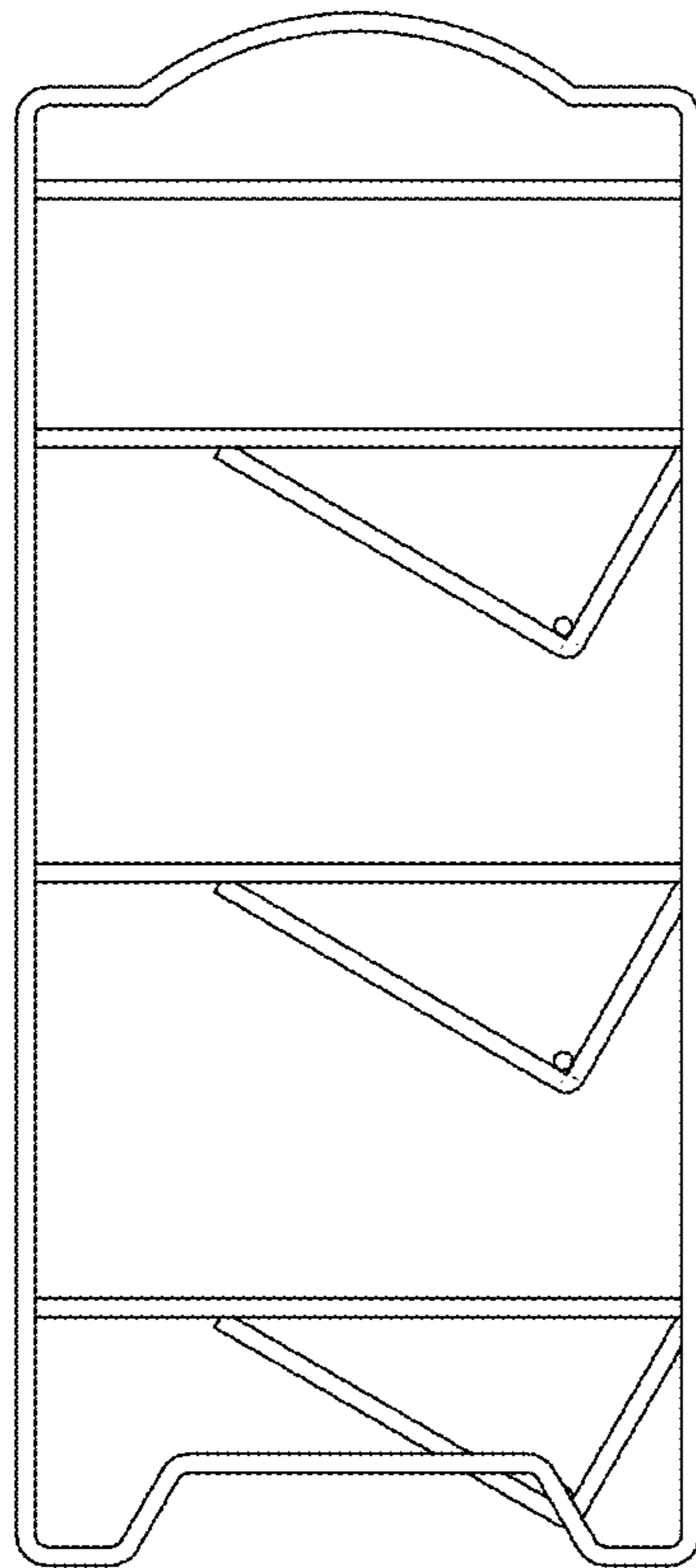


FIG. 6

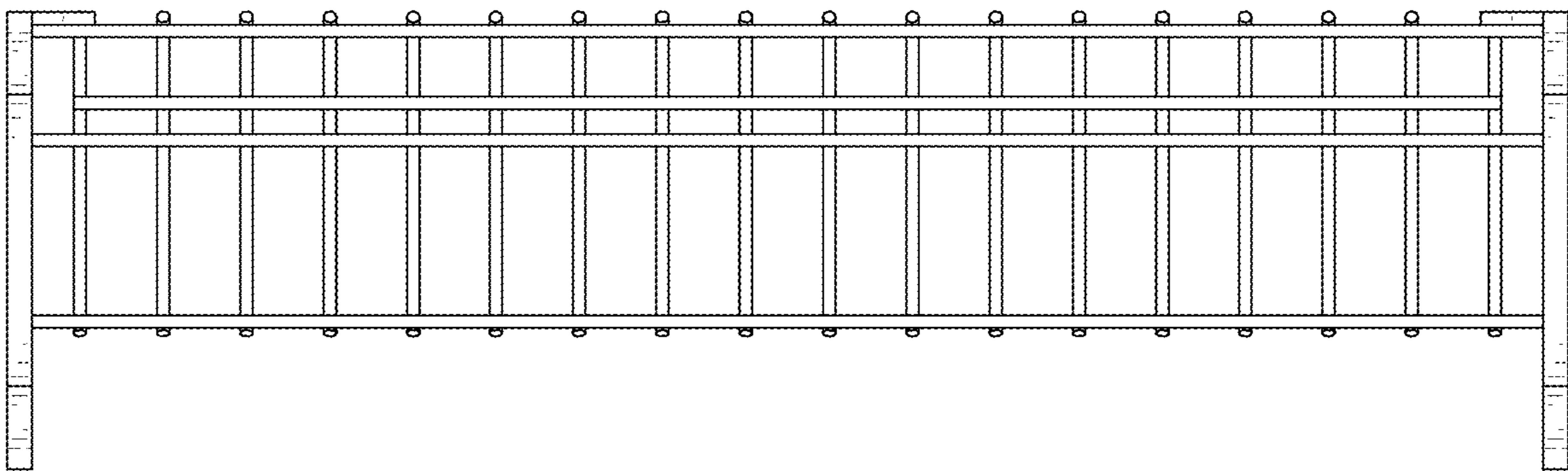


FIG. 7

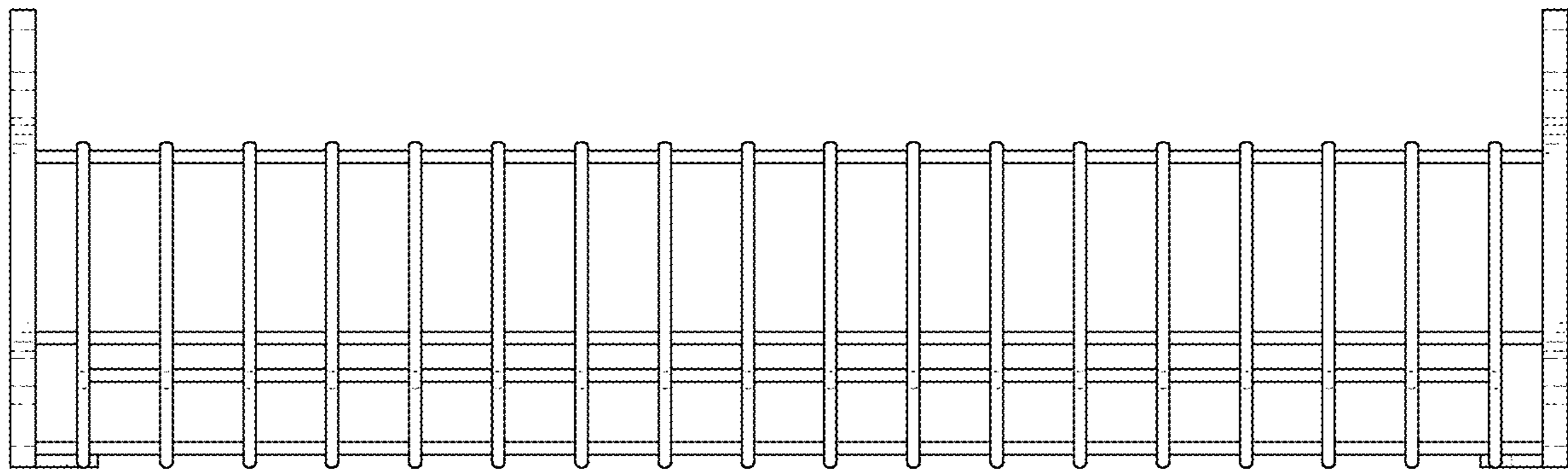


FIG. 8

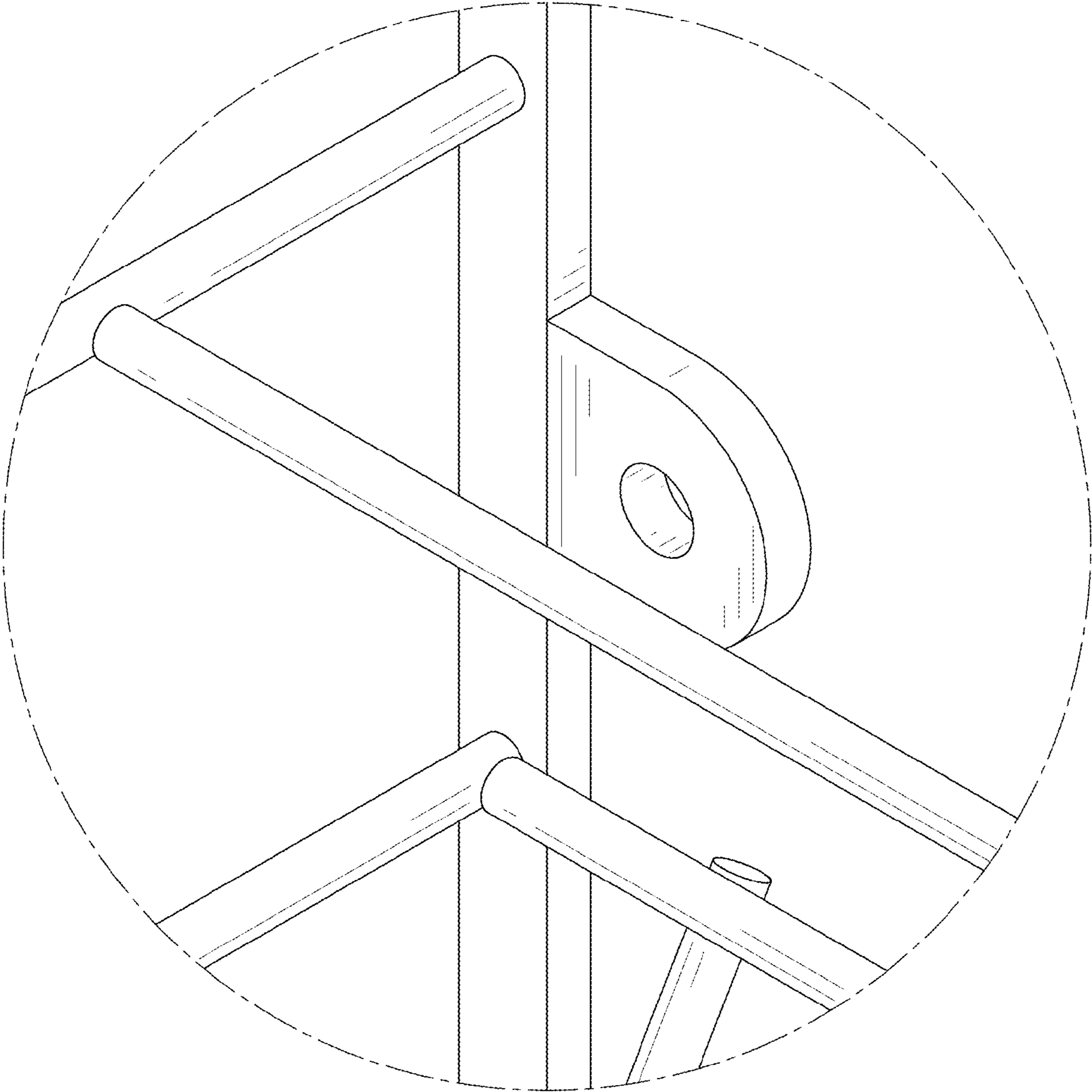


FIG. 9