



US00D948952S

(12) **United States Design Patent**
Kanter

(10) **Patent No.:** **US D948,952 S**

(45) **Date of Patent:** **** Apr. 19, 2022**

(54) **MUG AND BEVERAGE POD RACK**

D776,757 S * 1/2017 Tsai D19/77
D781,664 S * 3/2017 Goodman D7/637
D893,267 S * 8/2020 Goodman D7/637

(71) Applicant: **Boston Warehouse Trading Corp.**,
Norwood, MA (US)

(72) Inventor: **Alan Kanter**, Swampscott, MA (US)

(73) Assignee: **Boston Warehouse Trading Corporation**, Norwood, MA (US)

(**) Term: **15 Years**

(21) Appl. No.: **29/716,724**

(22) Filed: **Dec. 11, 2019**

(51) **LOC (13) Cl.** **07-99**

(52) **U.S. Cl.**
USPC **D7/600.1**

(58) **Field of Classification Search**
USPC D7/590, 600, 600.1, 601, 631, 632;
D6/512, 513, 515, 516, 524, 527, 528,
D6/531, 534, 552, 553, 556; D19/65
CPC A47G 21/00; A47G 23/02; A47J 47/00;
A47J 47/16; A47K 1/08
See application file for complete search history.

(56) **References Cited**

U.S. PATENT DOCUMENTS

D267,841 S * 2/1983 Leslie D12/16
5,150,784 A * 9/1992 Sayad B65D 71/0003
206/202
D341,463 S * 11/1993 Booth D3/306
D343,712 S * 1/1994 Linder D6/513
6,354,455 B1 * 3/2002 Chen B65D 7/28
220/489
6,599,482 B1 * 7/2003 Dorin G01G 1/243
177/195
D719,797 S * 12/2014 Puruganan D7/704
D720,575 S * 1/2015 Goodman D7/600

OTHER PUBLICATIONS

Mug and Rack Set | posted at bedbathandbeyond.com, no posting date, [online], [site visited Aug. 27, 2021]. Available from Internet, <URL:https://www.bedbathandbeyond.com/store/product/5-piece-stacking-mug-and-rack-set-in-grey/5500047> (Year: 2021).*

* cited by examiner

Primary Examiner — Andrew Kerr

(74) *Attorney, Agent, or Firm* — Davis Malm & D'Agostine; Richard L. Sampson

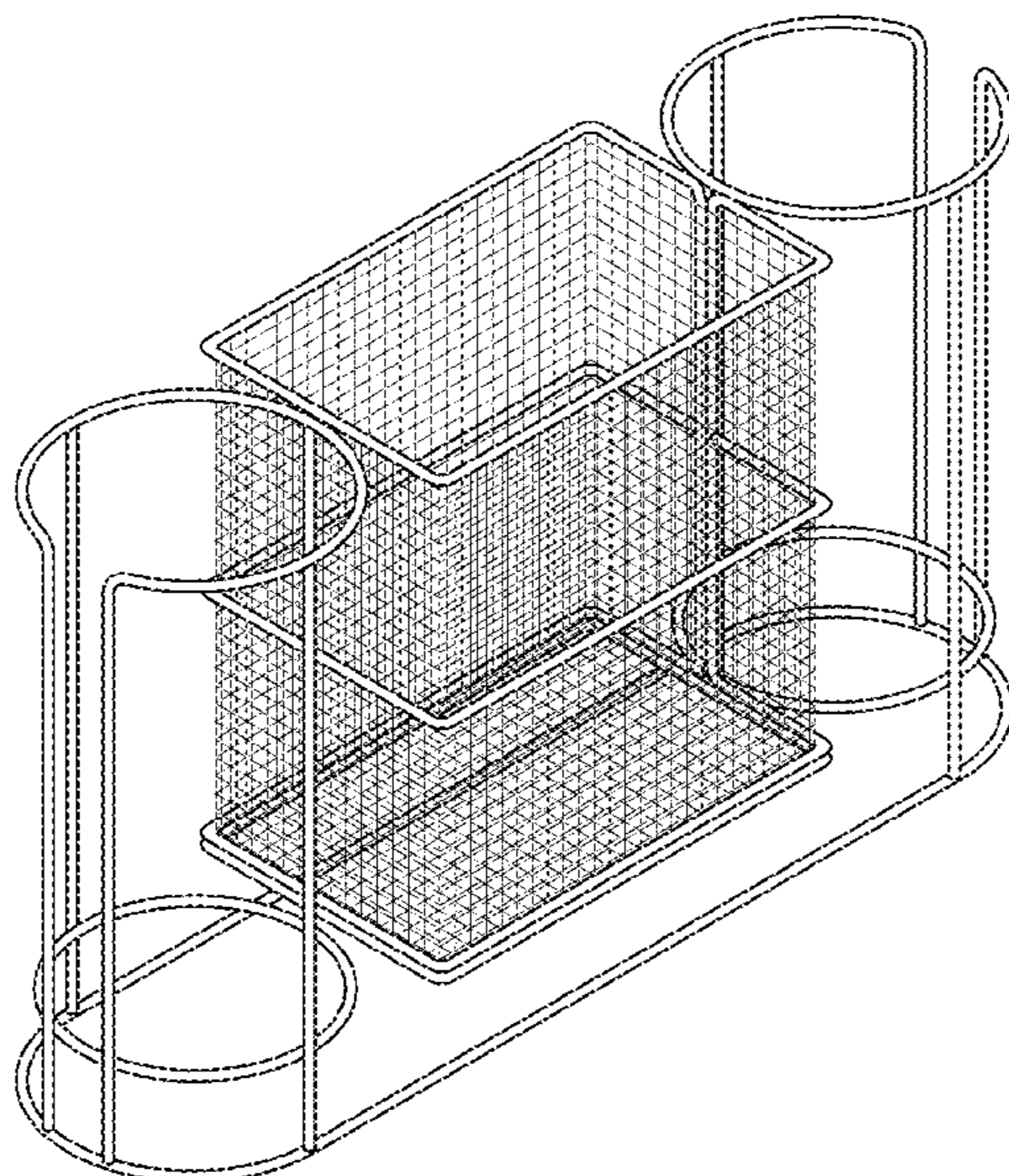
(57) **CLAIM**

The ornamental design for a mug and beverage pod rack, as shown and described.

DESCRIPTION

FIG. 1. is a perspective view of a mug and beverage pod rack, showing my new design;
FIG. 2. is a front view of the mug and beverage pod rack of FIG. 1;
FIG. 3. is a back view of the mug and beverage pod rack of FIG. 1;
FIG. 4. is a top view of the mug and beverage pod rack of FIG. 1;
FIG. 5. is a bottom view of the mug and beverage pod rack of FIG. 1;
FIG. 6. is a left side view of the mug and beverage pod rack of FIG. 1;
FIG. 7. is a right side view of the mug and beverage pod rack of FIG. 1; and,
FIG. 8. is a front view of the mug and beverage pod rack of FIG. 1, shown in a condition of use.
The broken line mug portions shown in FIG. 8 are for the purpose of illustrating environment and form no part of the claimed design.

1 Claim, 8 Drawing Sheets



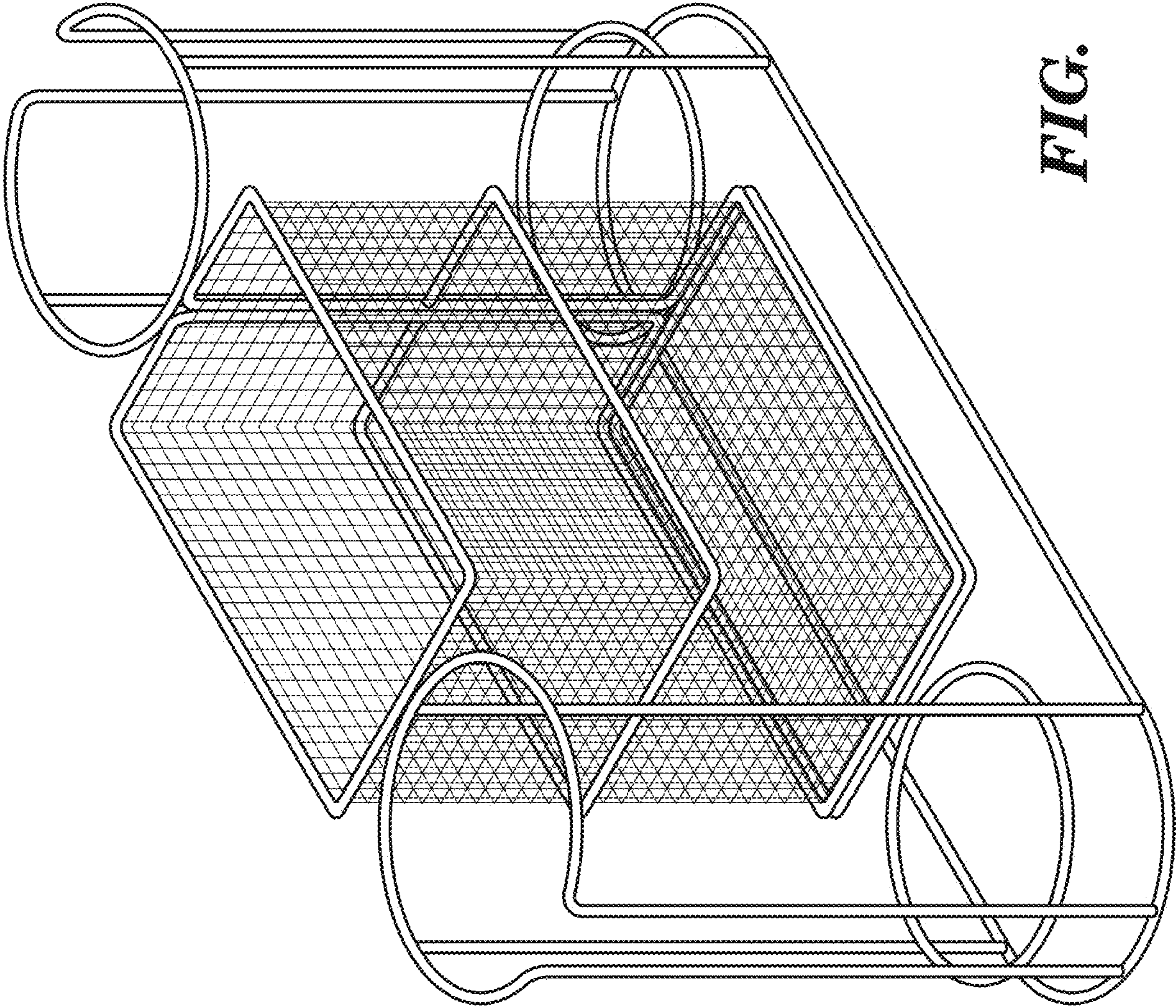


FIG. 1

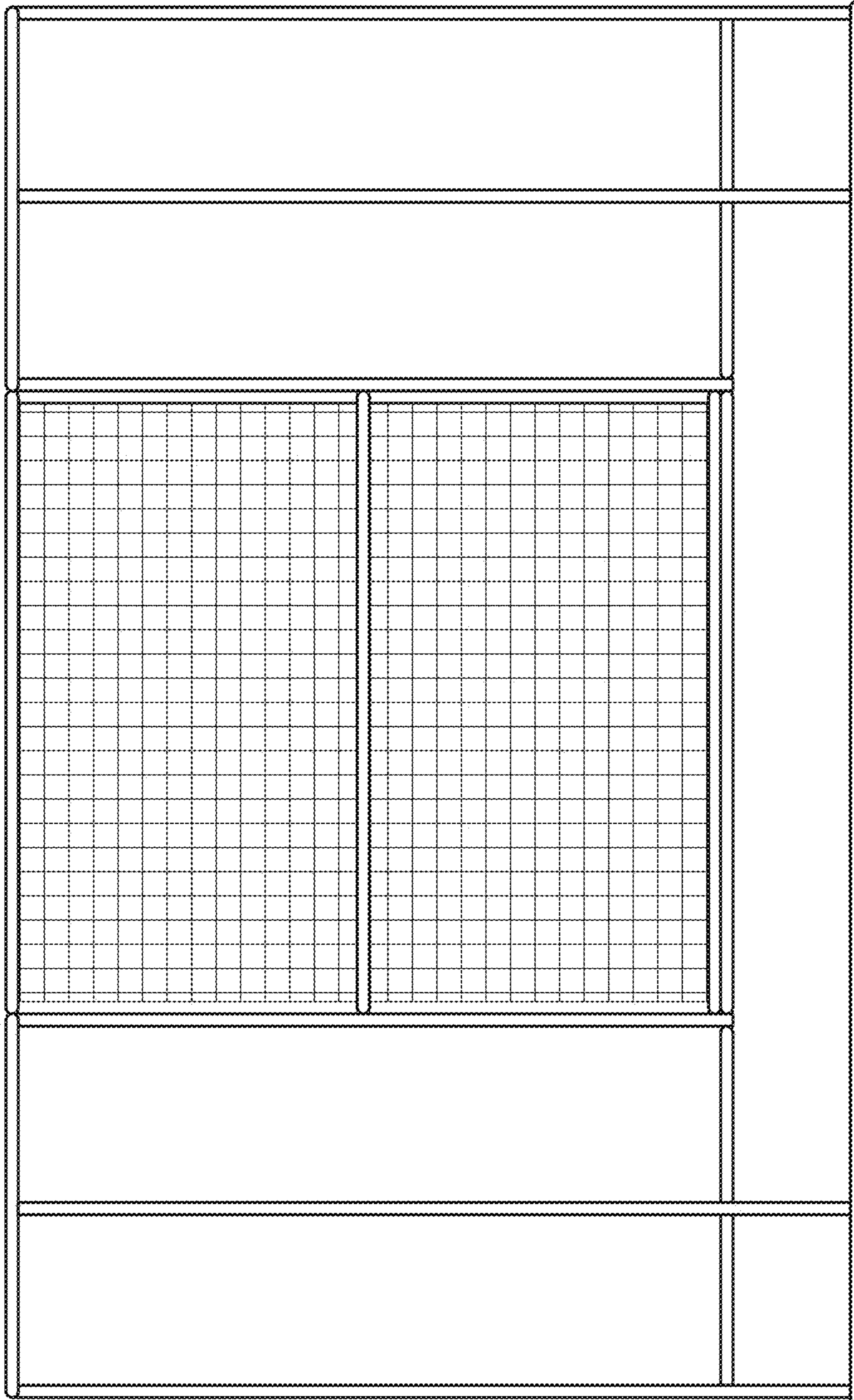


FIG. 2

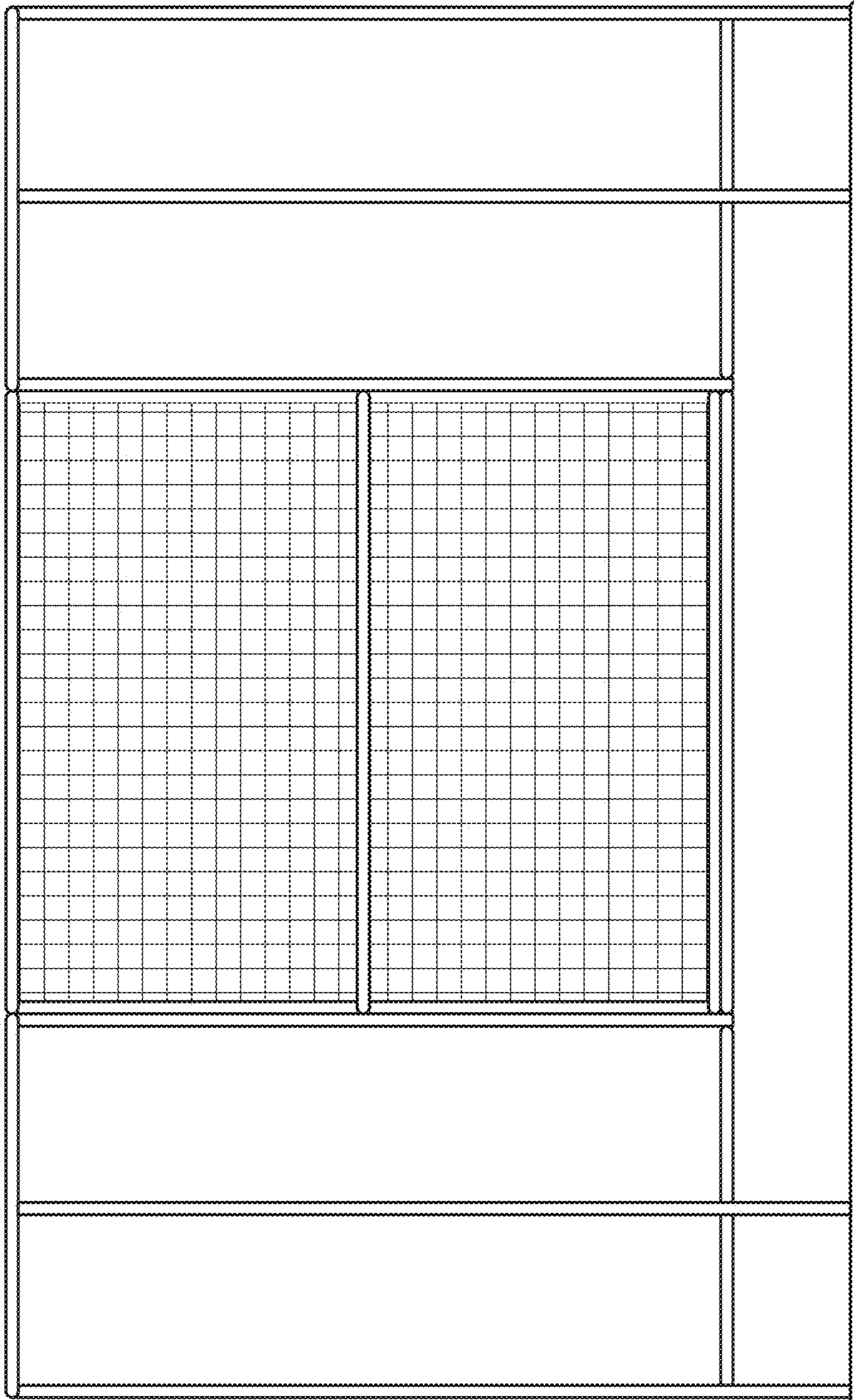


FIG. 3

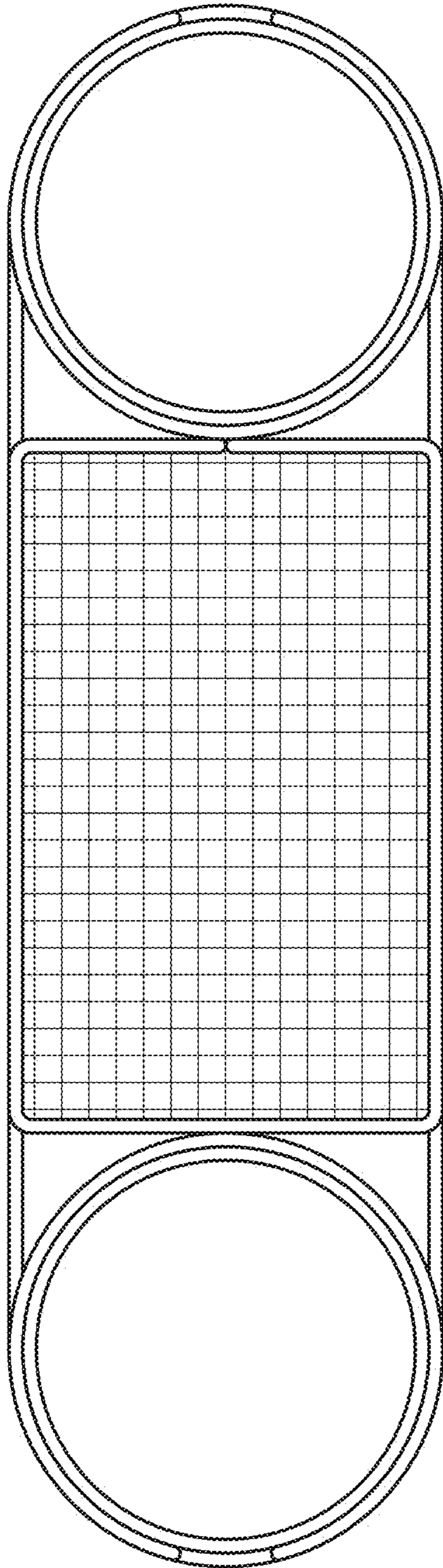


FIG. 4

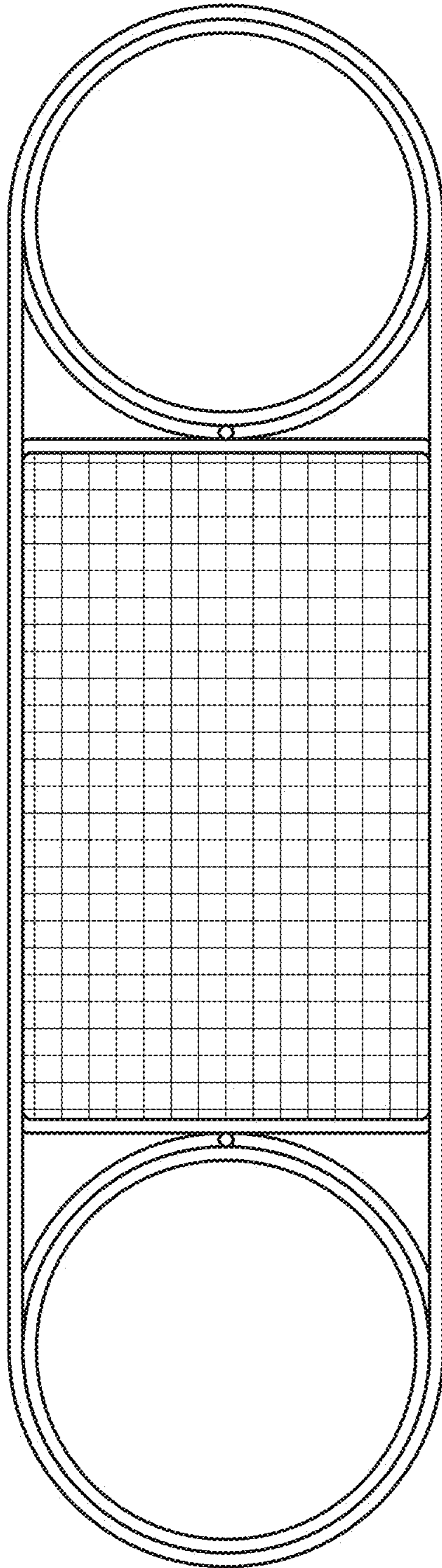


FIG. 5

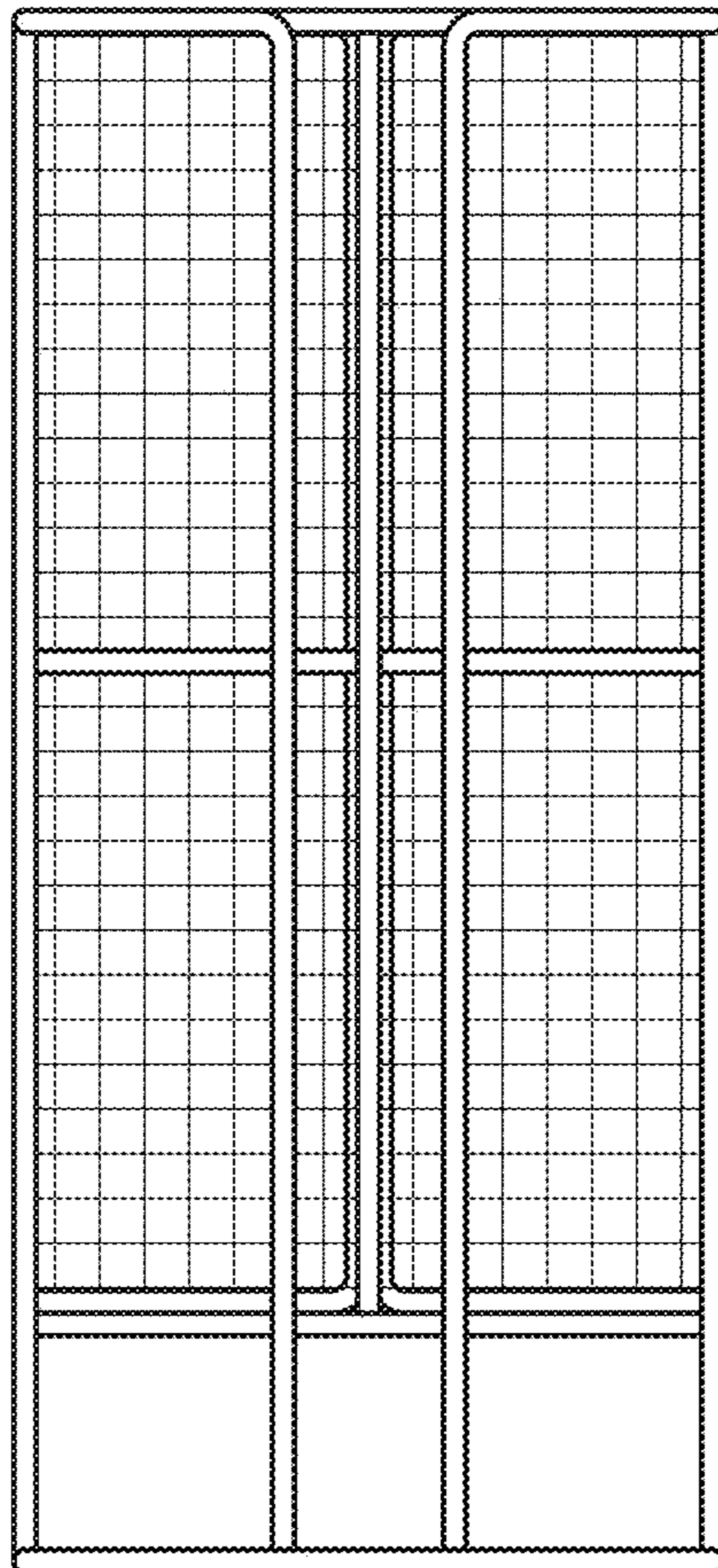


FIG. 6

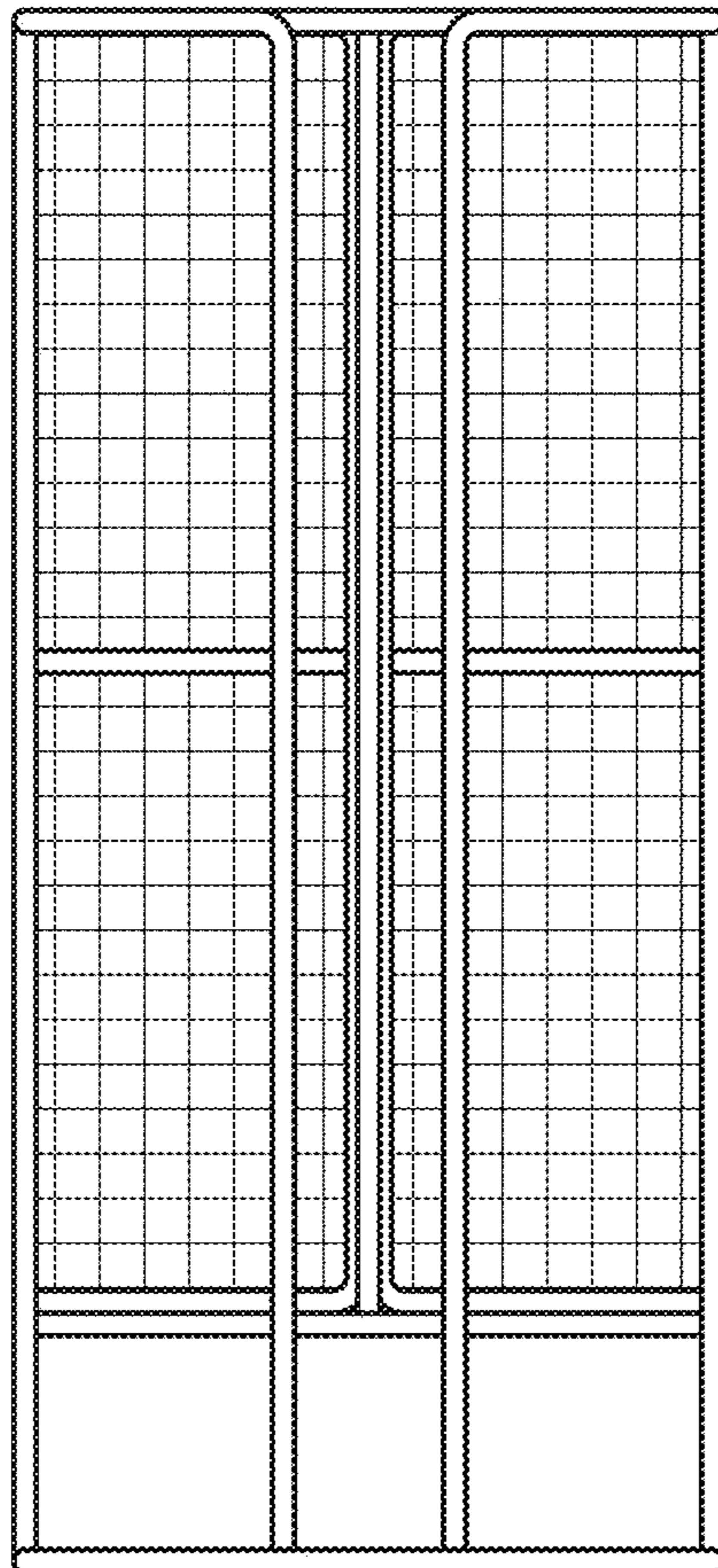


FIG. 7

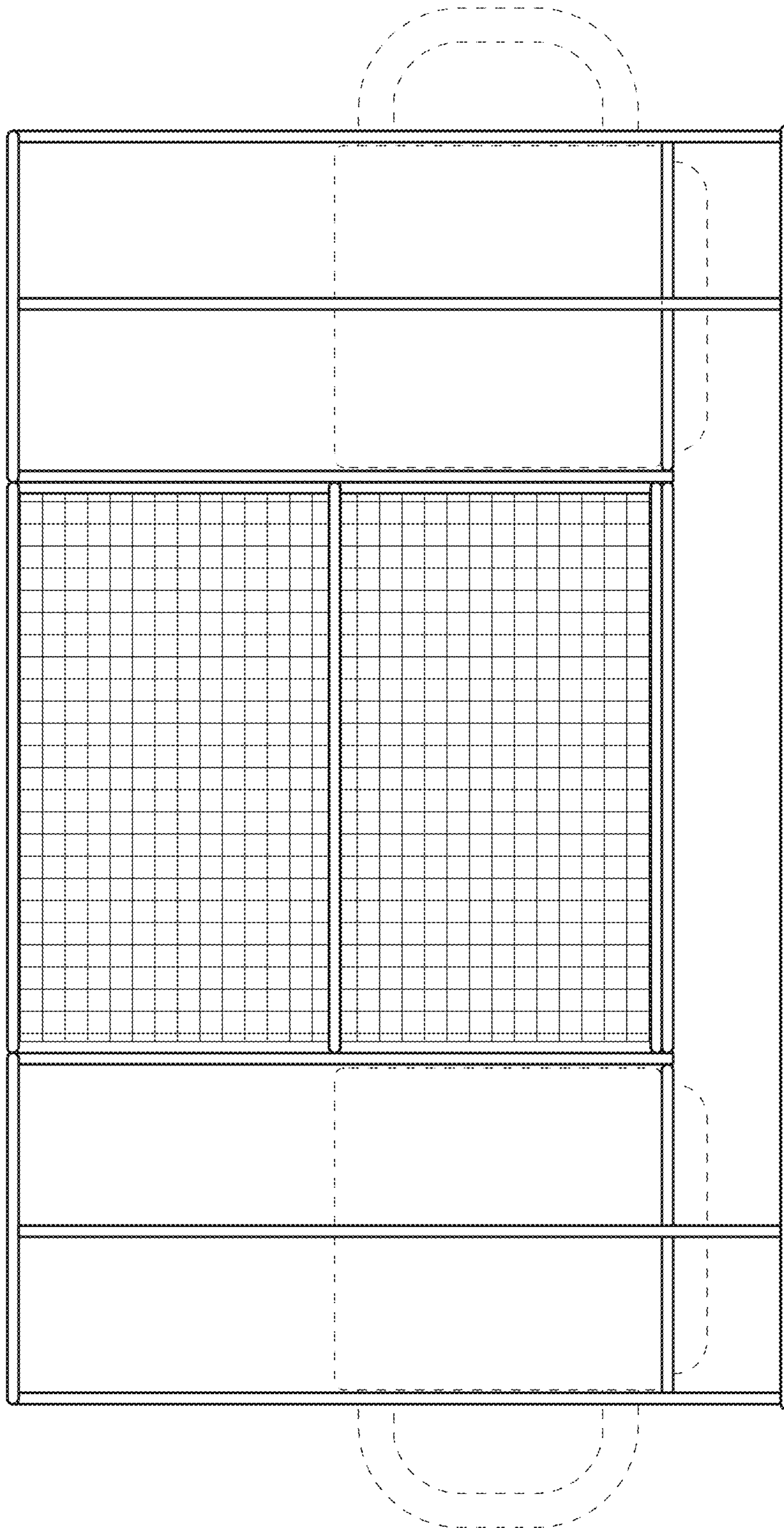


FIG. 8