



US00D948951S

(12) **United States Design Patent** (10) **Patent No.:** **US D948,951 S**
Lopez (45) **Date of Patent:** **** Apr. 19, 2022**

(54) **INTEGRATED BOTTLE GRIP**
(71) Applicant: **Jose A. Lopez**, Chicago Ridge, IL (US)
(72) Inventor: **Jose A. Lopez**, Chicago Ridge, IL (US)
(**) Term: **15 Years**

D769,674 S * 10/2016 Goode D7/507
9,468,341 B1 * 10/2016 Goode A47J 43/27
D793,495 S * 8/2017 Ffrench D21/684
D867,514 S * 11/2019 Gilbarte D22/117
2012/0152955 A1 6/2012 Middleton
2013/0008914 A1 1/2013 Dyer
2013/0180084 A1 * 7/2013 Edson A45B 9/02
16/430
2017/0360183 A1 * 12/2017 Macdonald B65D 23/102

(21) Appl. No.: **29/718,350**
(22) Filed: **Dec. 23, 2019**
(51) **LOC (13) Cl.** **07-01**
(52) **U.S. Cl.**
USPC **D7/600**; D7/393; D7/394; D9/531
(58) **Field of Classification Search**
USPC D7/509, 533, 543, 545, 548, 552.1, 600,
D7/705, 648, 393; D21/682, 684;
D9/530, 531, 533, 536, 443; D24/118
CPC B65D 23/10; B65D 23/102; B65D 23/104;
B65D 2525/08; B65D 5/4608; B65D
2517/5075; B65D 5/46; B65D 5/46072;
B65D 1/12; A47J 43/00; A47J 43/27
See application file for complete search history.

FOREIGN PATENT DOCUMENTS

EP 1873068 1/2008

* cited by examiner

Primary Examiner — Andrew Kerr

(57) **CLAIM**

The ornamental design for an integrated bottle grip, as shown and described.

DESCRIPTION

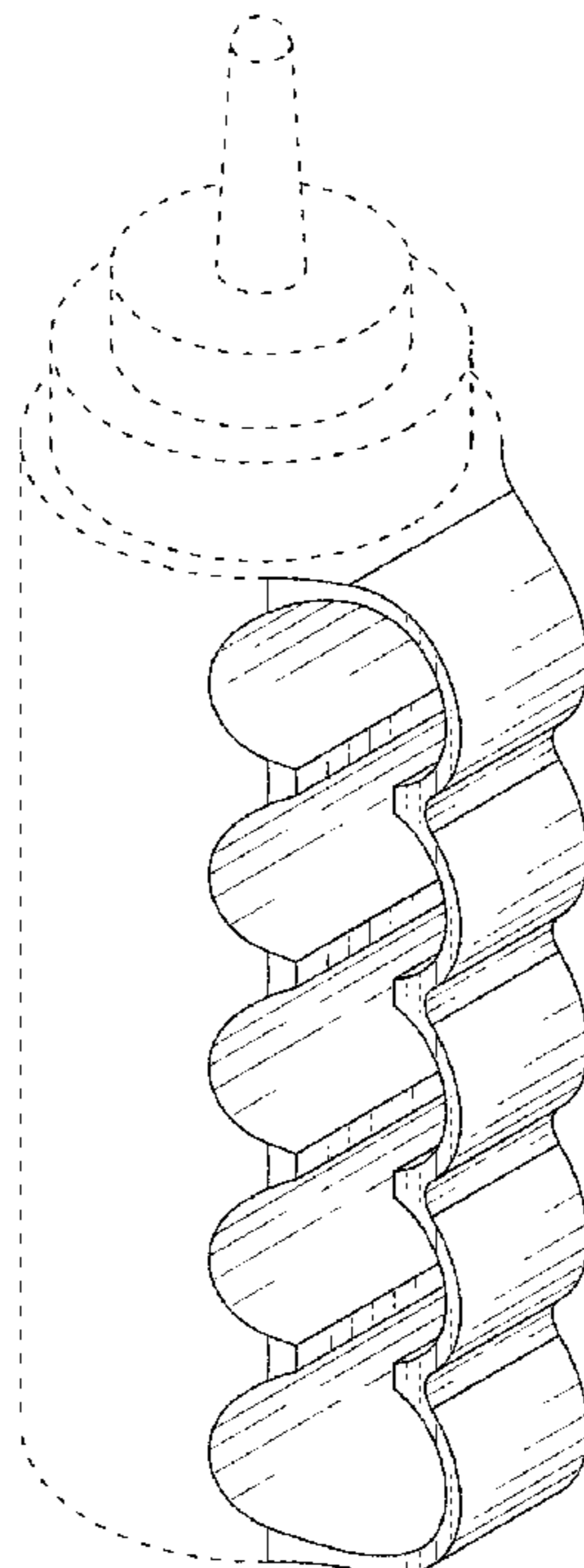
FIG. 1 is a top perspective view of an integrated bottle grip showing my new design;
FIG. 2 is a bottom perspective view thereof;
FIG. 3 is a front elevation view thereof;
FIG. 4 is a rear elevation view thereof;
FIG. 5 is a top plan view thereof;
FIG. 6 is a bottom plan view thereof;
FIG. 7 is a right elevation view thereof; and,
FIG. 8 is a left elevation view thereof.
The broken lines showing of a bottle body and cap in FIG. 1-8 are included for the purpose of showing environmental structure and form no part of the claimed design.

(56) **References Cited**

U.S. PATENT DOCUMENTS

5,609,175 A 3/1997 Gerry
6,913,159 B1 * 7/2005 Goldberg B65D 23/106
215/395
D668,962 S * 10/2012 Middleton D9/680
D674,380 S * 1/2013 Soekoro D14/250
D676,752 S * 2/2013 Middleton D9/533
D708,038 S * 7/2014 Edson D8/300
D738,569 S * 9/2015 Saide D27/165
D740,674 S * 10/2015 Rigsbee D9/533
9,320,938 B1 4/2016 Belmore
9,420,908 B1 * 8/2016 White A47G 19/2288

1 Claim, 8 Drawing Sheets



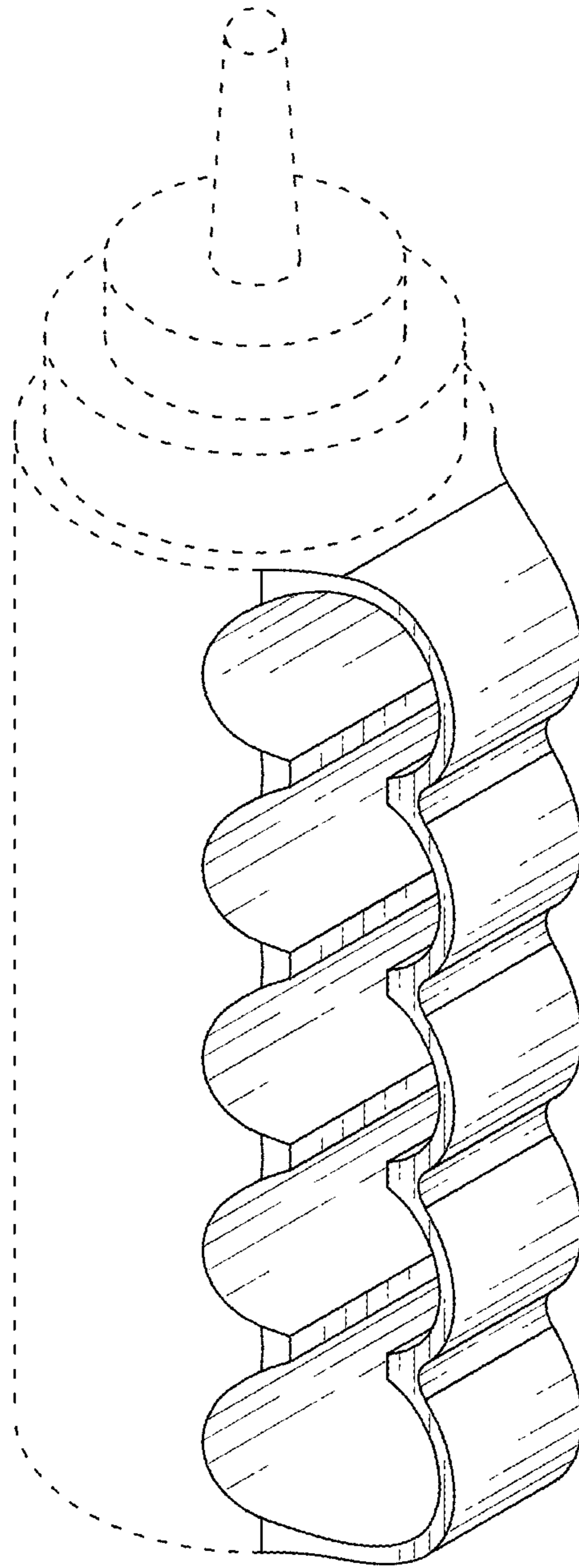


FIG. 1

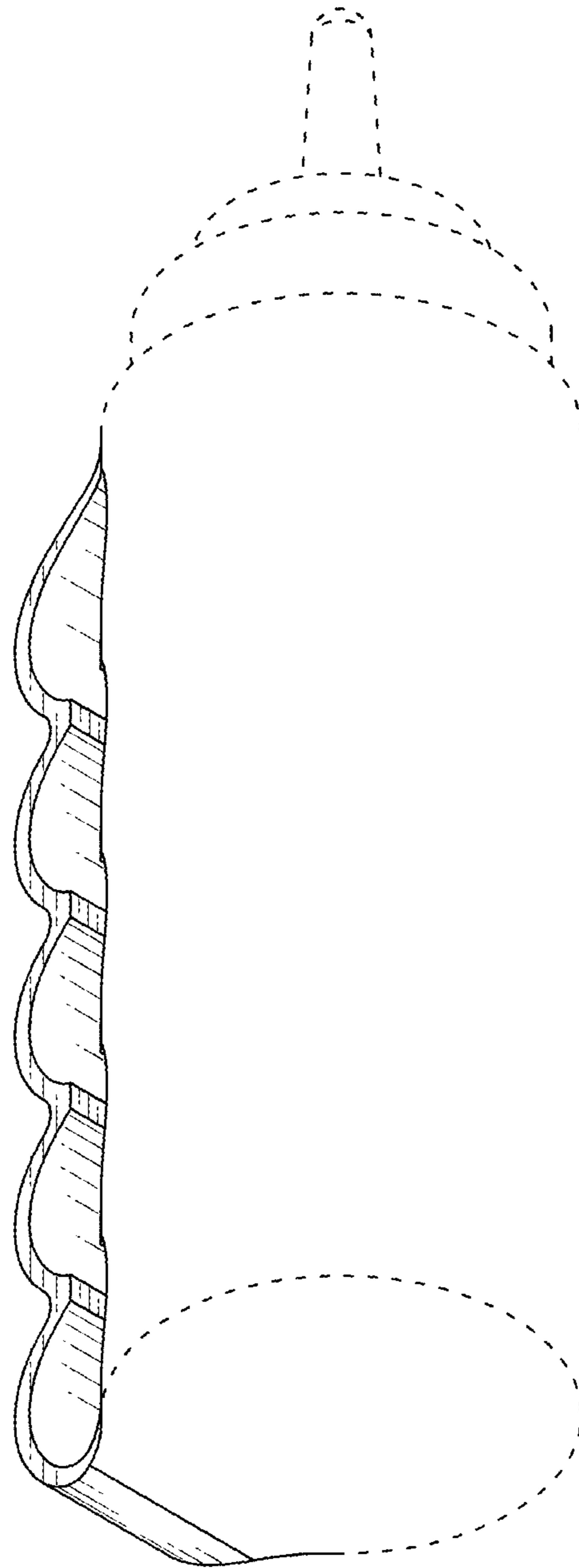


FIG. 2

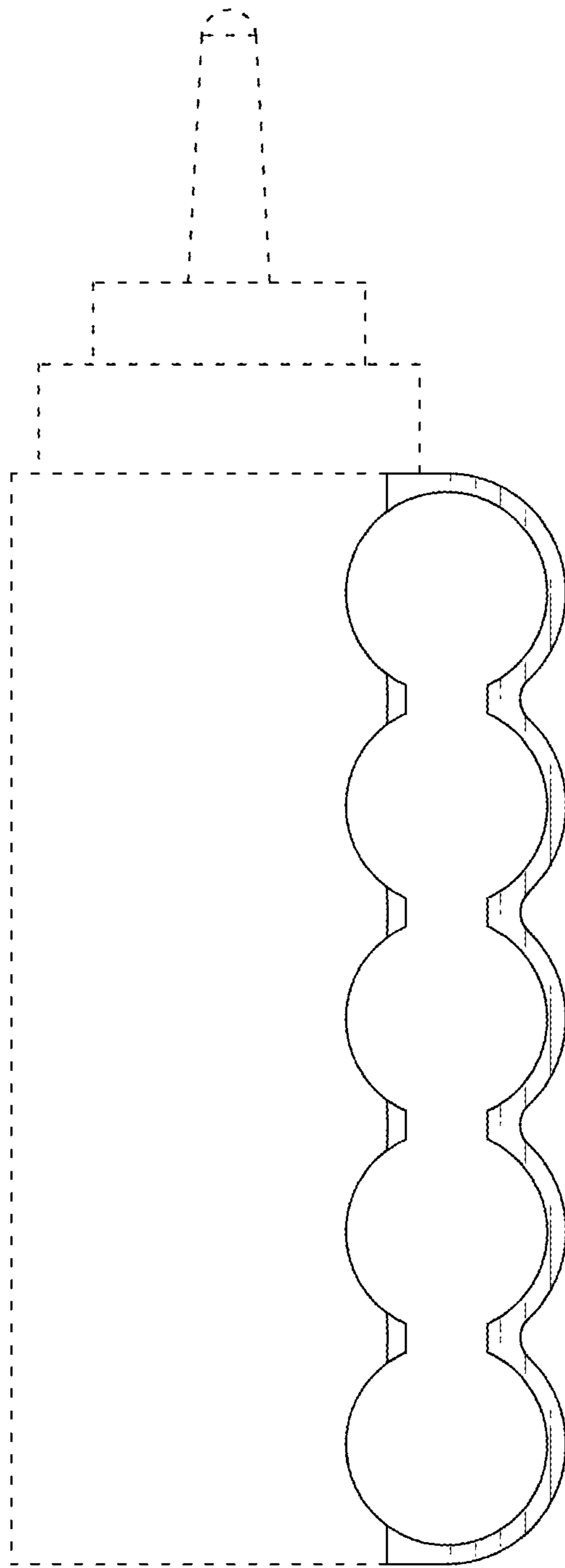


FIG. 3

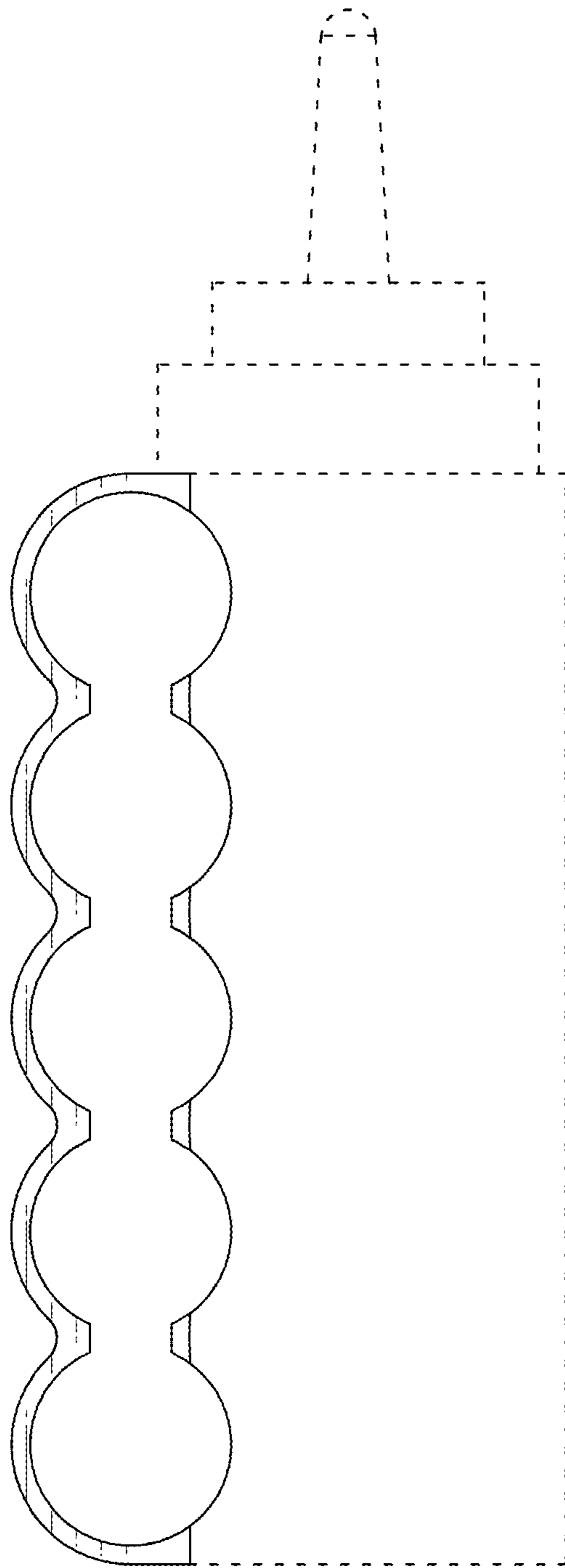


FIG. 4

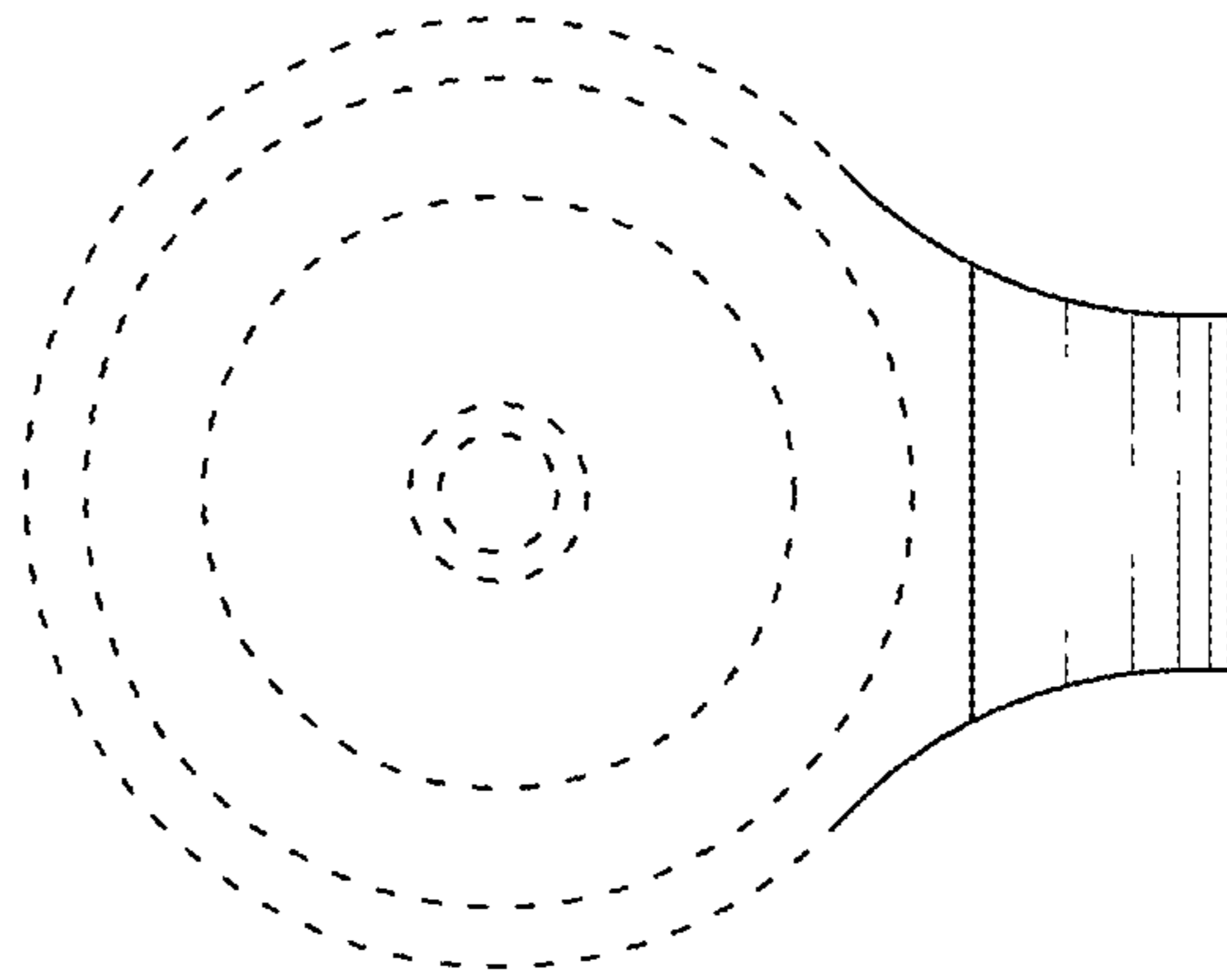


FIG. 5

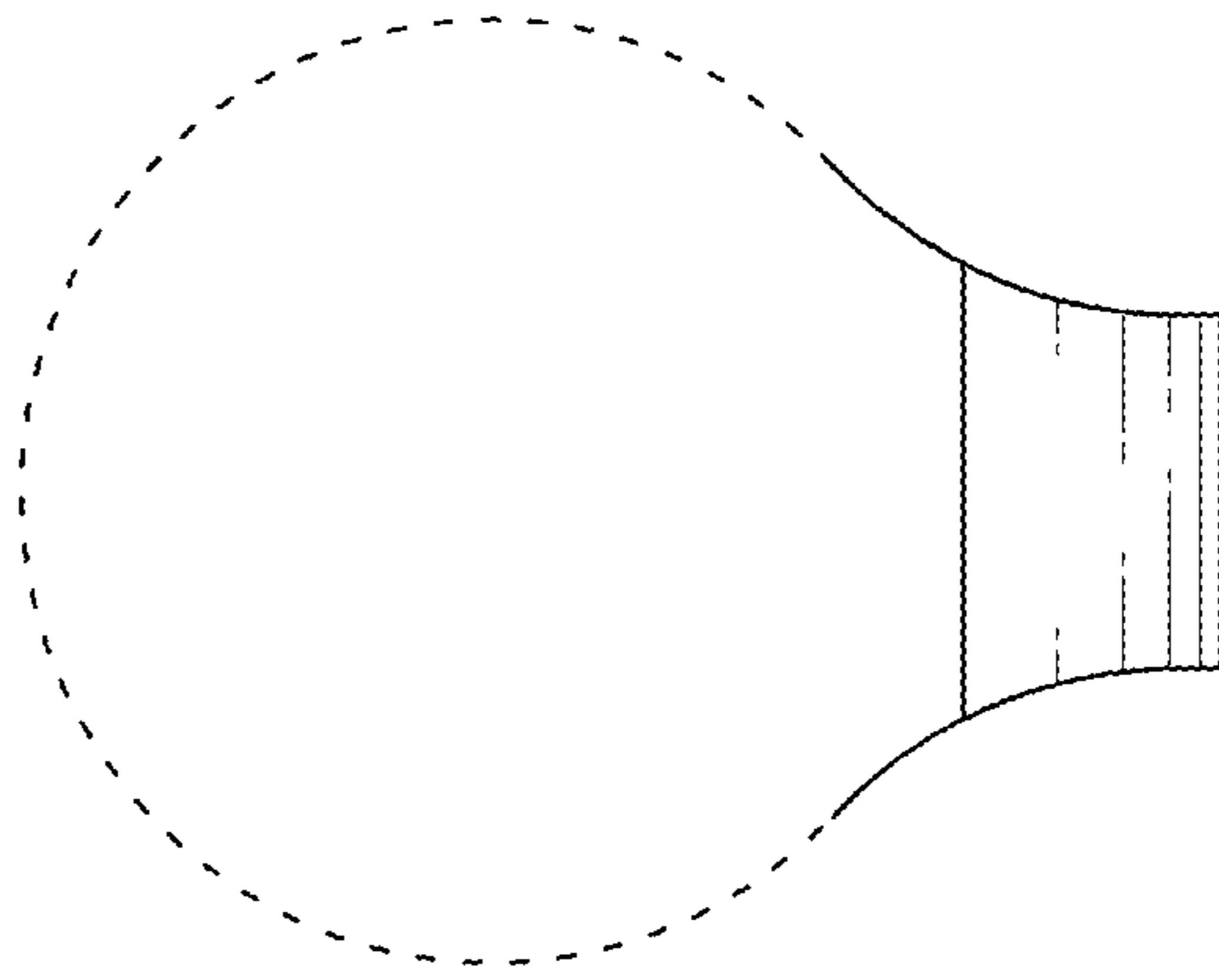


FIG. 6

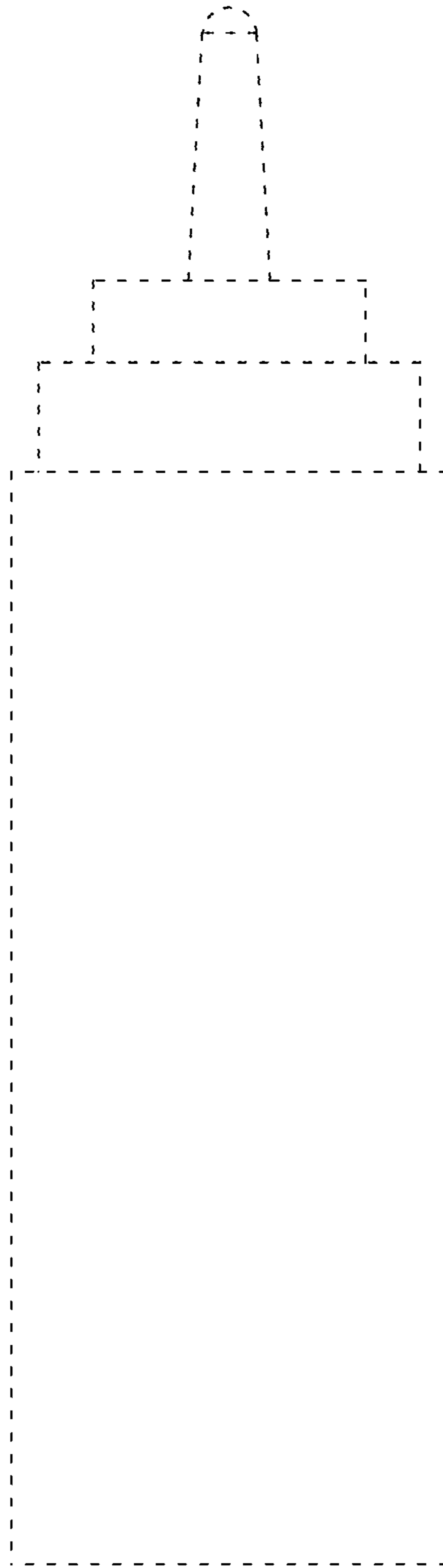


FIG. 7

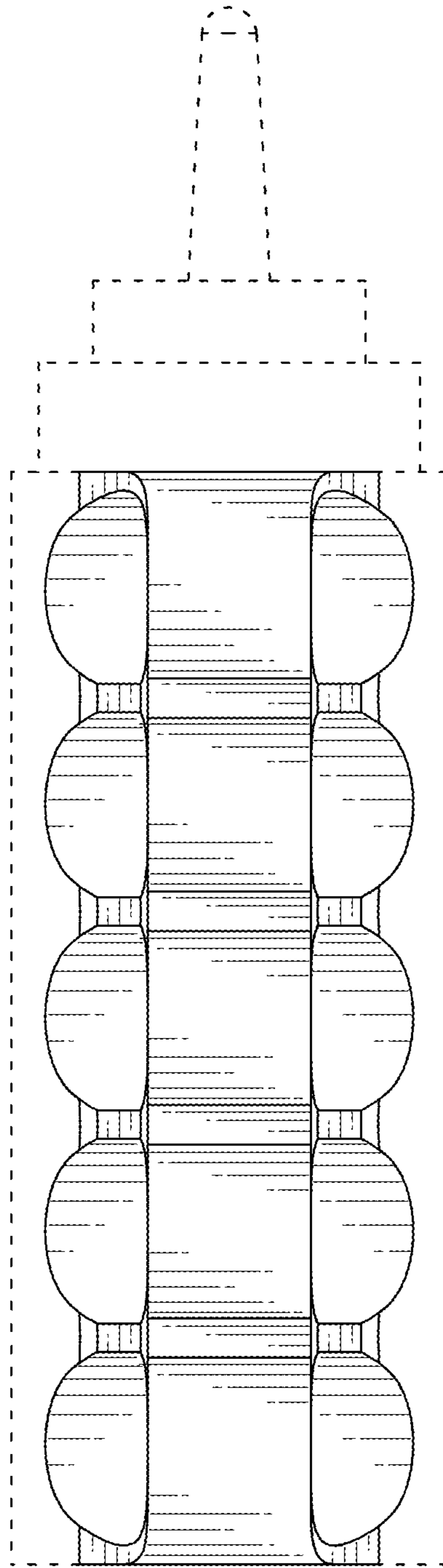


FIG. 8