



US00D948950S

(12) **United States Design Patent** (10) **Patent No.:** **US D948,950 S**
Konieczny (45) **Date of Patent:** **** Apr. 19, 2022**

(54) **COMBINED FACETED GLASS BOTTLE WITH STOPPER**

(71) Applicant: **Ryszard Konieczny**, Lindenhurst, NY (US)

(72) Inventor: **Ryszard Konieczny**, Lindenhurst, NY (US)

(**) Term: **15 Years**

(21) Appl. No.: **29/745,737**

(22) Filed: **Aug. 7, 2020**

(51) **LOC (13) Cl.** **07-06**

(52) **U.S. Cl.**
USPC **D7/598**

(58) **Field of Classification Search**
USPC D7/300, 301, 509, 511, 514, 515, 389, D7/523, 589, 590, 597, 598, 599, 571, D7/572, 584, 586; D9/516, 520, 522, D9/544, 546, 651, 566, 559
CPC B65D 1/00; B65D 1/02; B65D 1/0223
See application file for complete search history.

(56) **References Cited**

U.S. PATENT DOCUMENTS

D9,646 S	11/1876	Doeflinger	
D24,447 S	7/1895	Lowrey	
D175,447 S *	8/1955	Tucker	D7/300
D271,282 S *	11/1983	Thrush	D7/300
D277,455 S *	2/1985	Tordjman	D9/439
D406,532 S *	3/1999	Black	D9/651
D595,590 S *	7/2009	Lablaine	D9/516
D714,653 S *	10/2014	Tussy	D9/651
D733,567 S	7/2015	Lindsay et al.	
D767,442 S *	9/2016	Berdan	D11/90

D769,769 S *	10/2016	Hasenfeld	D11/90
D799,903 S *	10/2017	Hume	D7/598
D802,428 S *	11/2017	Staab	D9/522
D809,925 S *	2/2018	Cossu	D9/544
D826,724 S *	8/2018	Staab	D9/574
D833,826 S *	11/2018	Sanchez Garcia	D7/523
D856,810 S *	8/2019	James	D9/566
D873,080 S *	1/2020	Eckart	D7/598
D878,159 S *	3/2020	Recht	D7/523
D902,732 S *	11/2020	Repetti	D9/553
D909,881 S *	2/2021	Mitha	D9/566
2011/0266248 A1 *	11/2011	Popiel	B65D 1/0223 215/316

* cited by examiner

Primary Examiner — Andrew Kerr

(74) *Attorney, Agent, or Firm* — Intellent Patents LLC

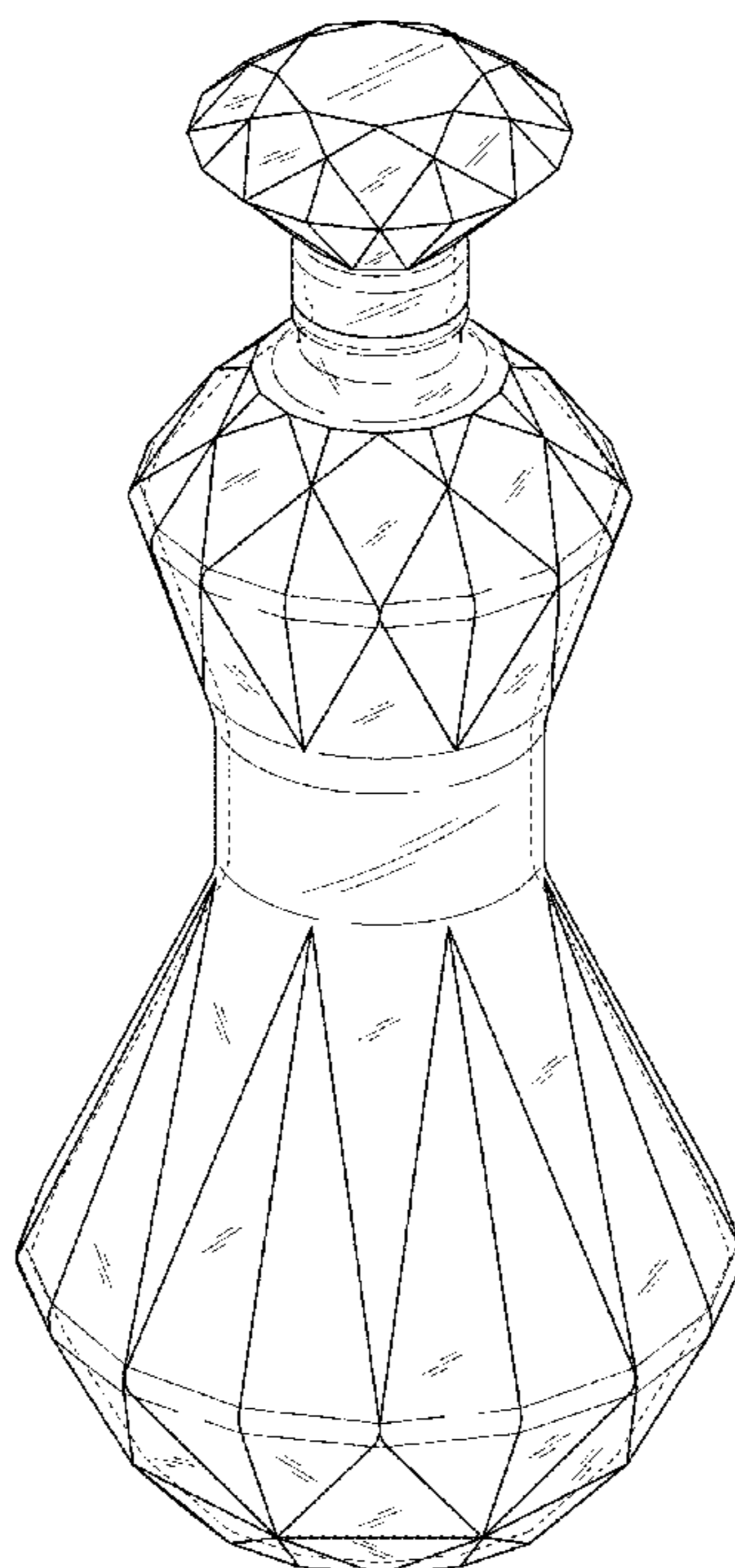
(57) **CLAIM**

The ornamental design for a combined faceted glass bottle with stopper, as shown and described.

DESCRIPTION

FIG. 1 is a top perspective view of a combined faceted glass bottle with stopper, showing my new design; FIG. 2 is a front elevational view thereof; FIG. 3 is a rear elevational view thereof; FIG. 4 is a right elevational view thereof; FIG. 5 is a left elevational view thereof; FIG. 6 is a top plan view thereof; FIG. 7 is a bottom plan view thereof; and, FIG. 8 is a bottom perspective view thereof. The broken lines in the drawings illustrate an inner surface of the combined faceted glass bottle with stopper which form no part of the claimed design.

1 Claim, 7 Drawing Sheets



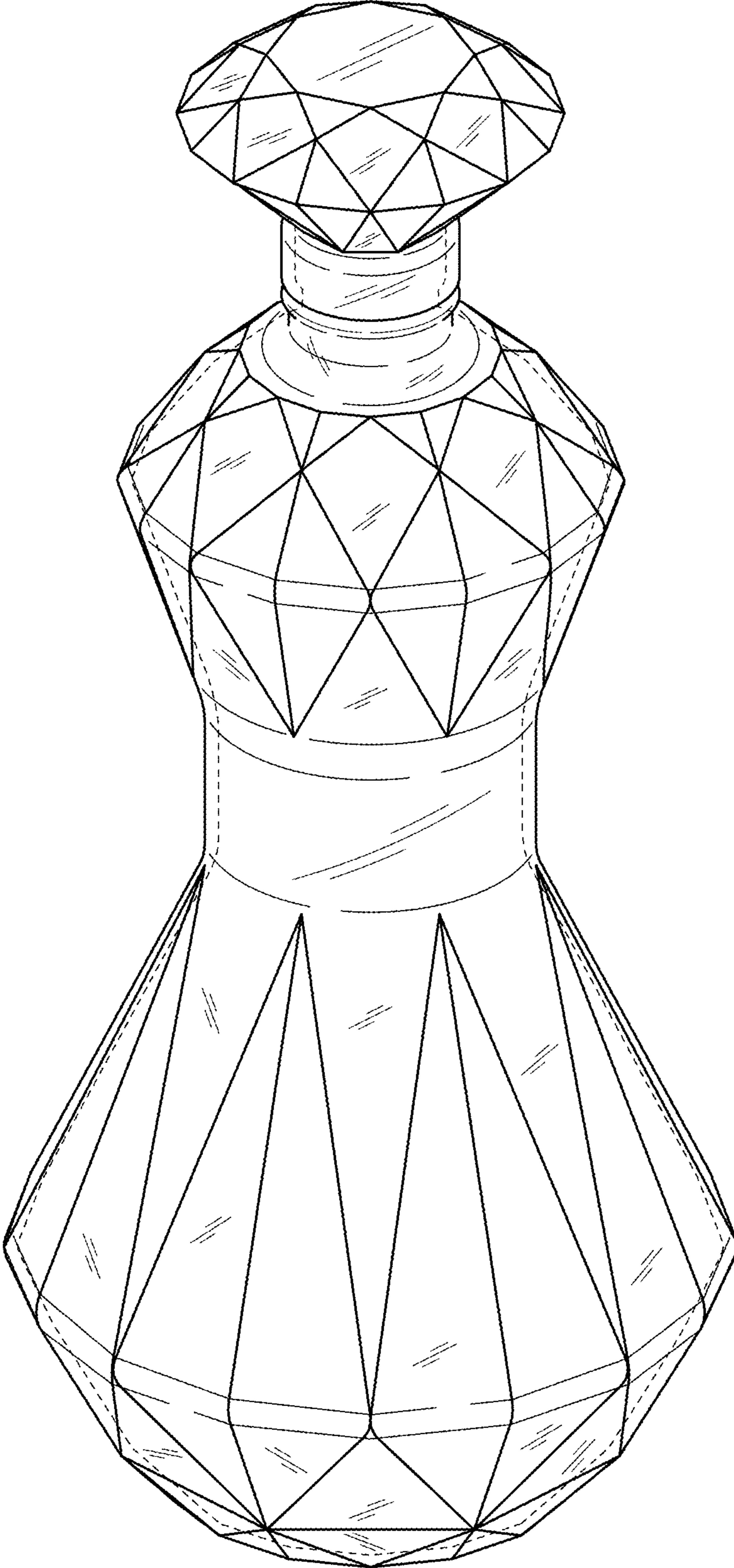


FIG. 1

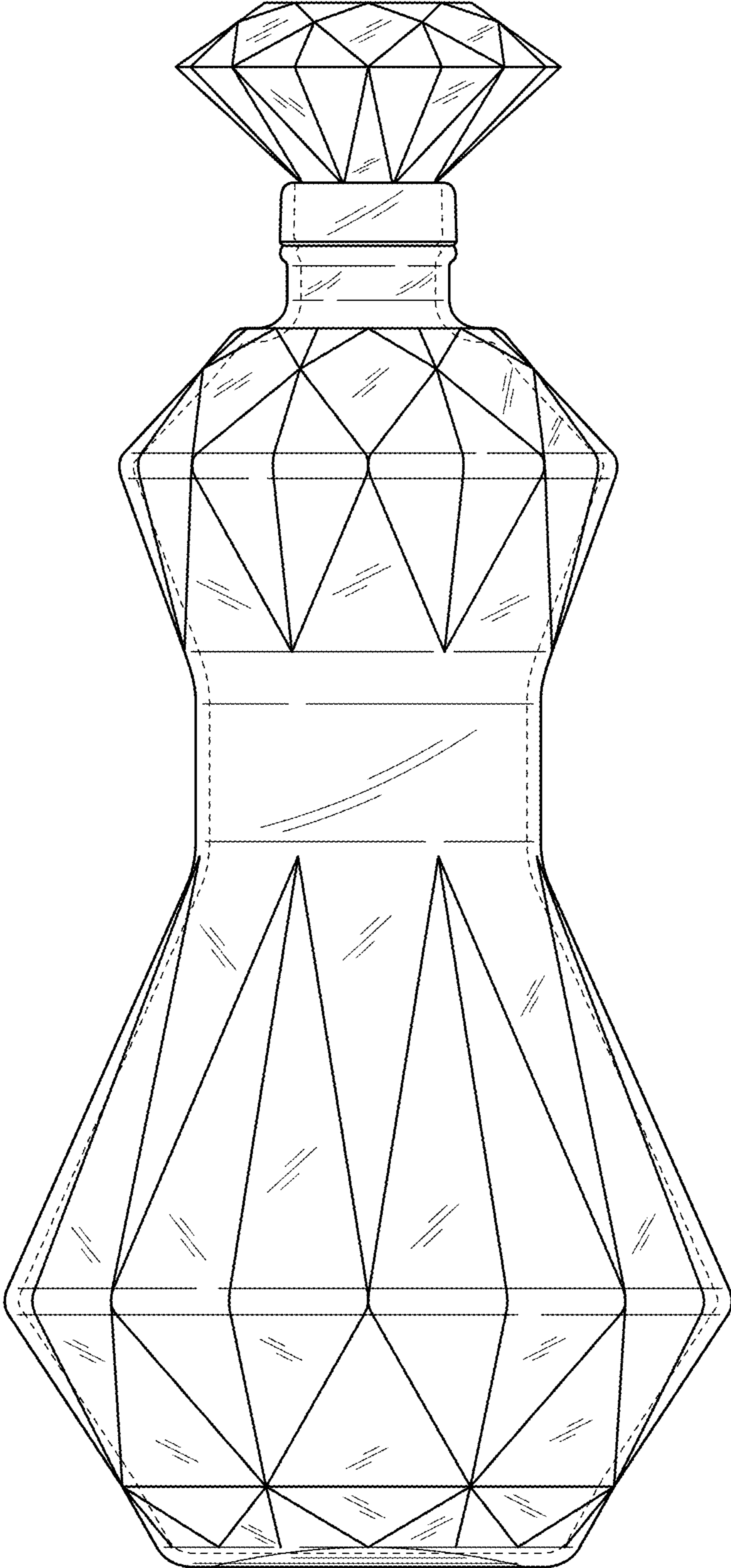


FIG. 2

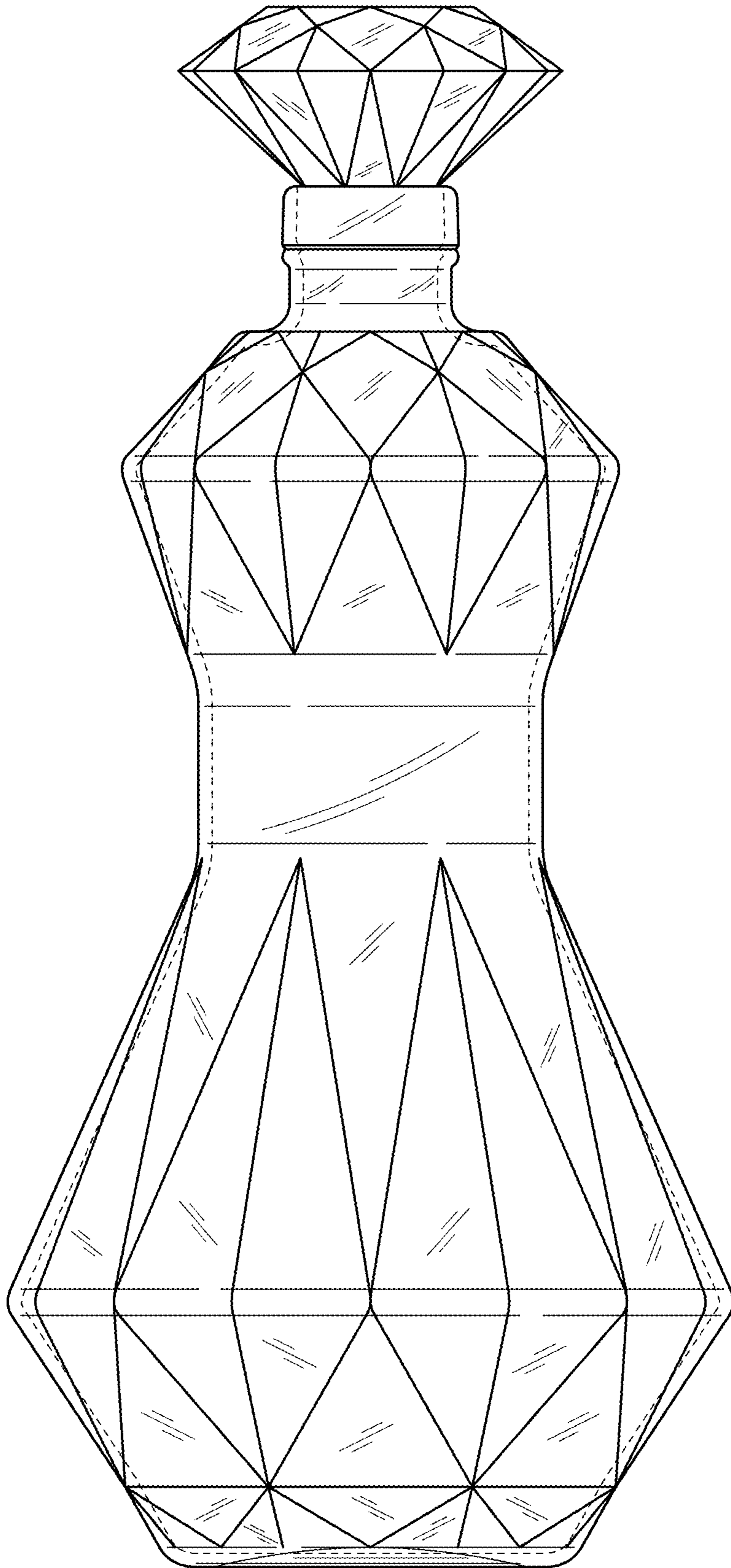


FIG. 3

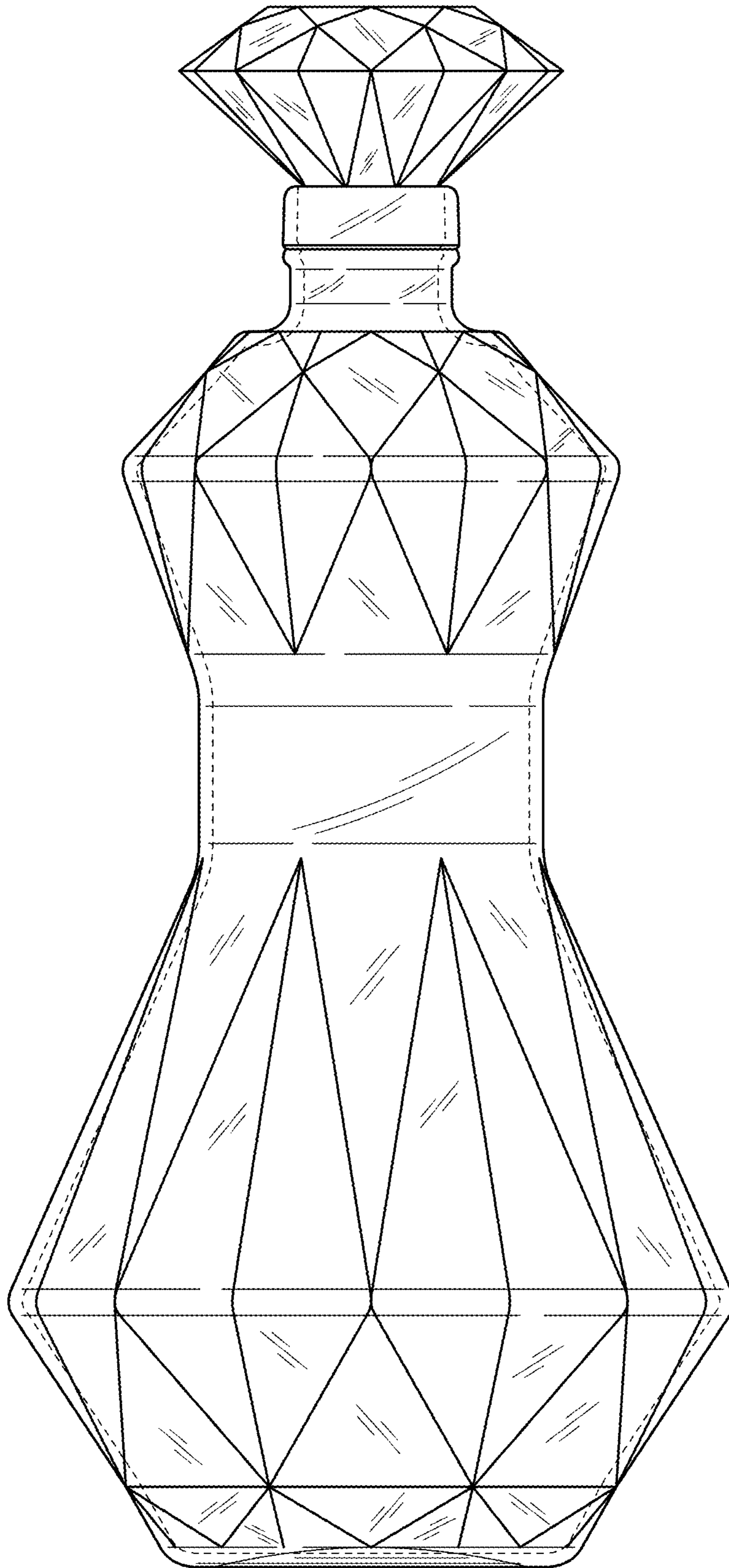


FIG. 4

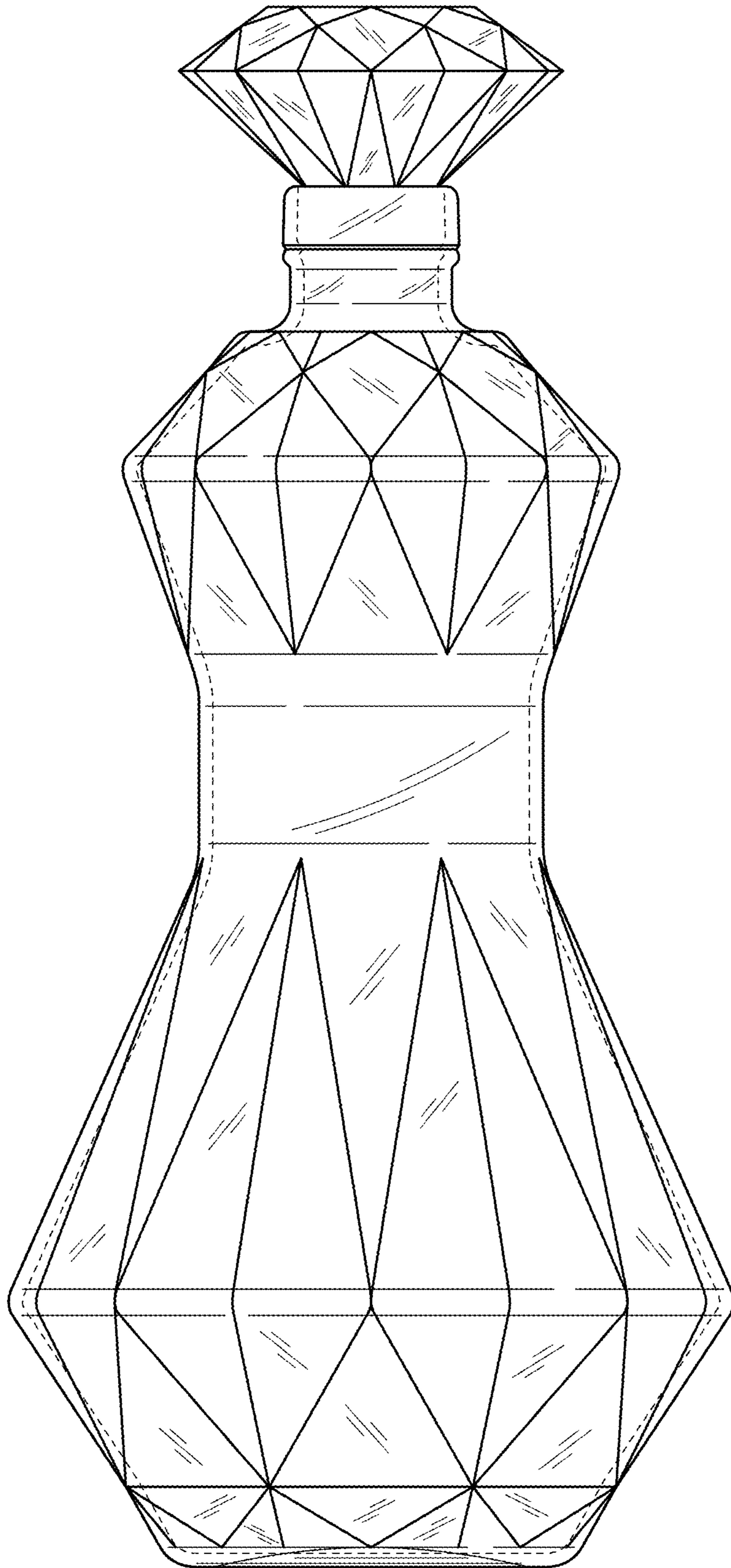


FIG. 5

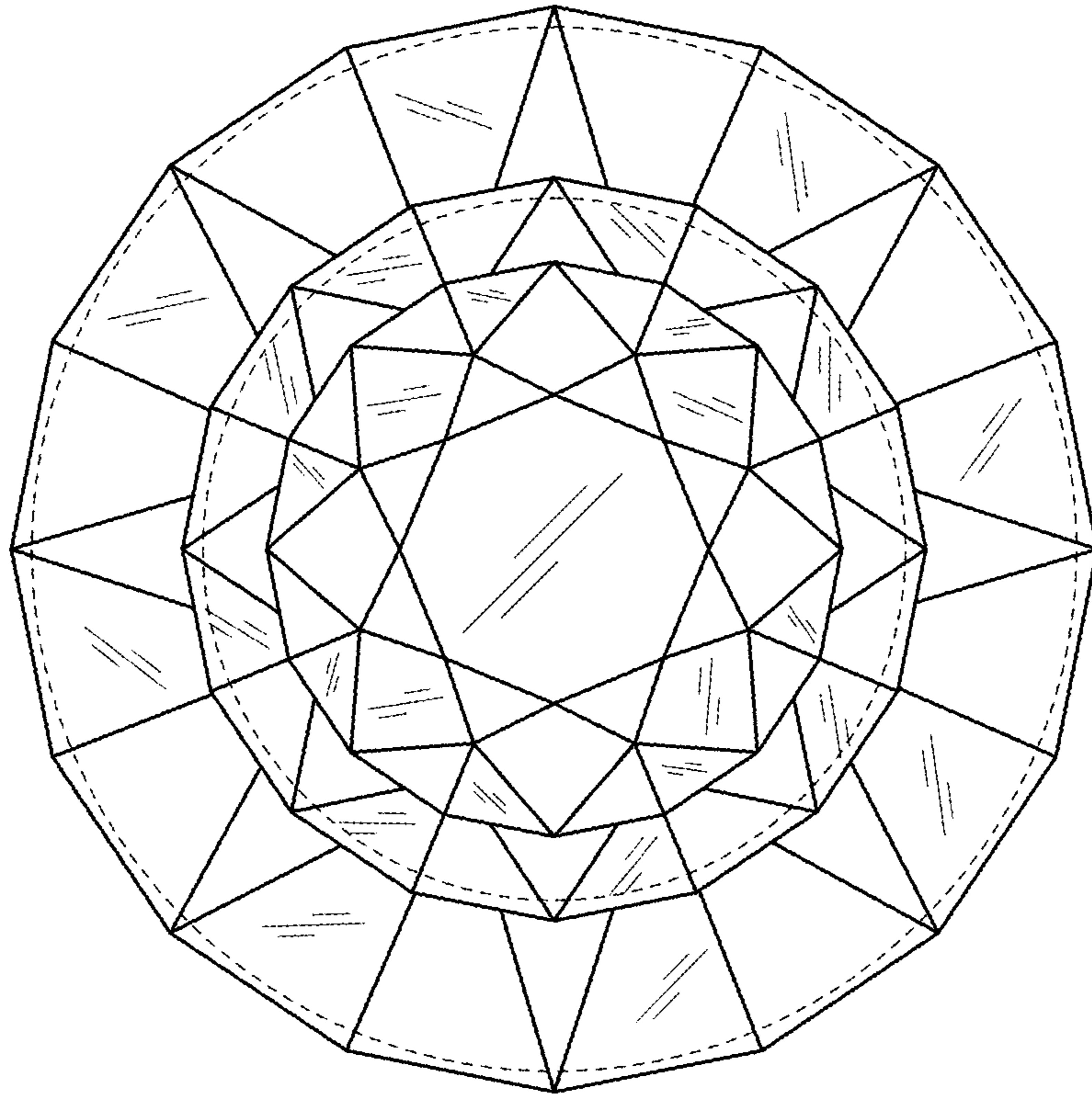


FIG. 6

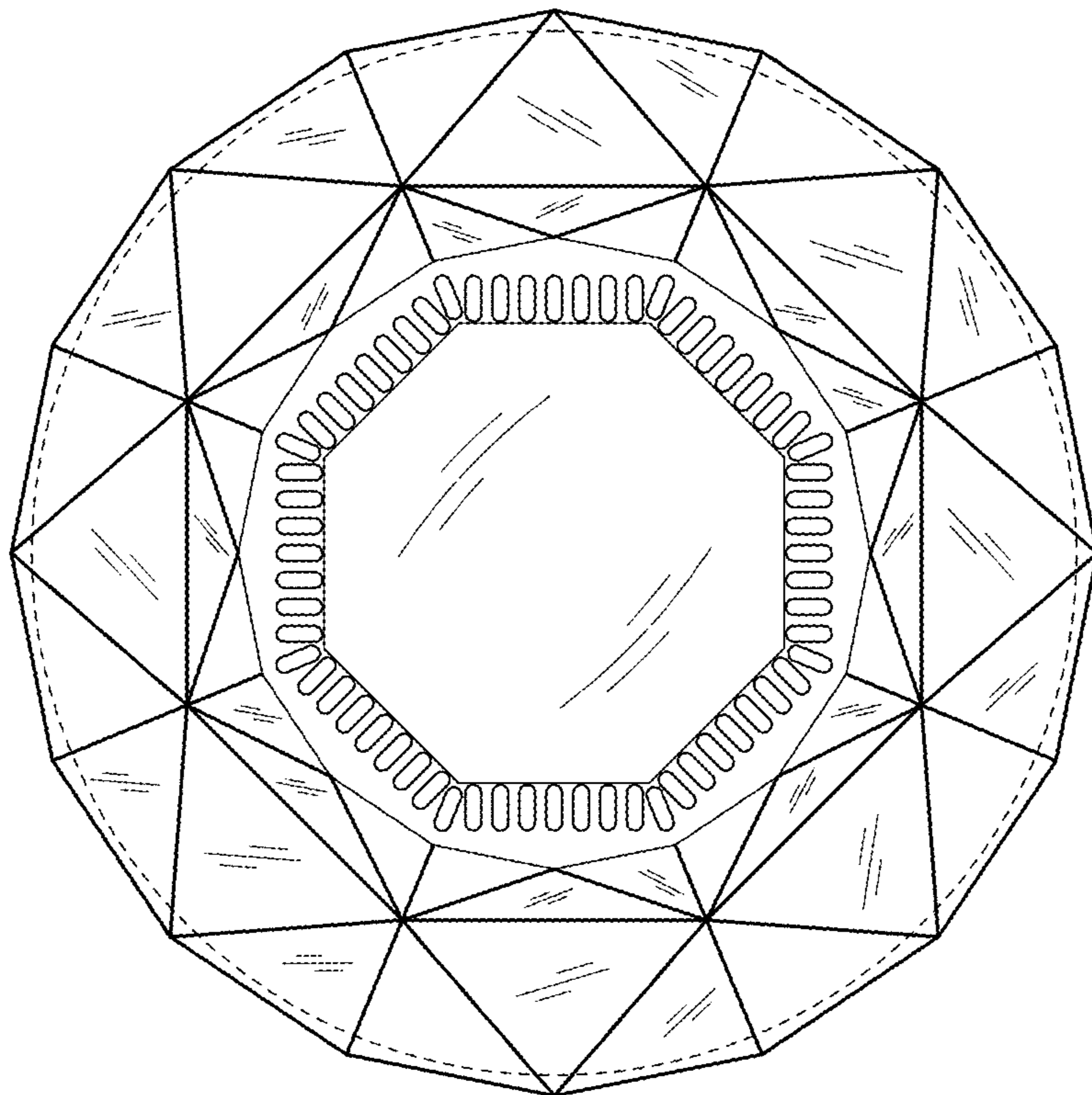


FIG. 7

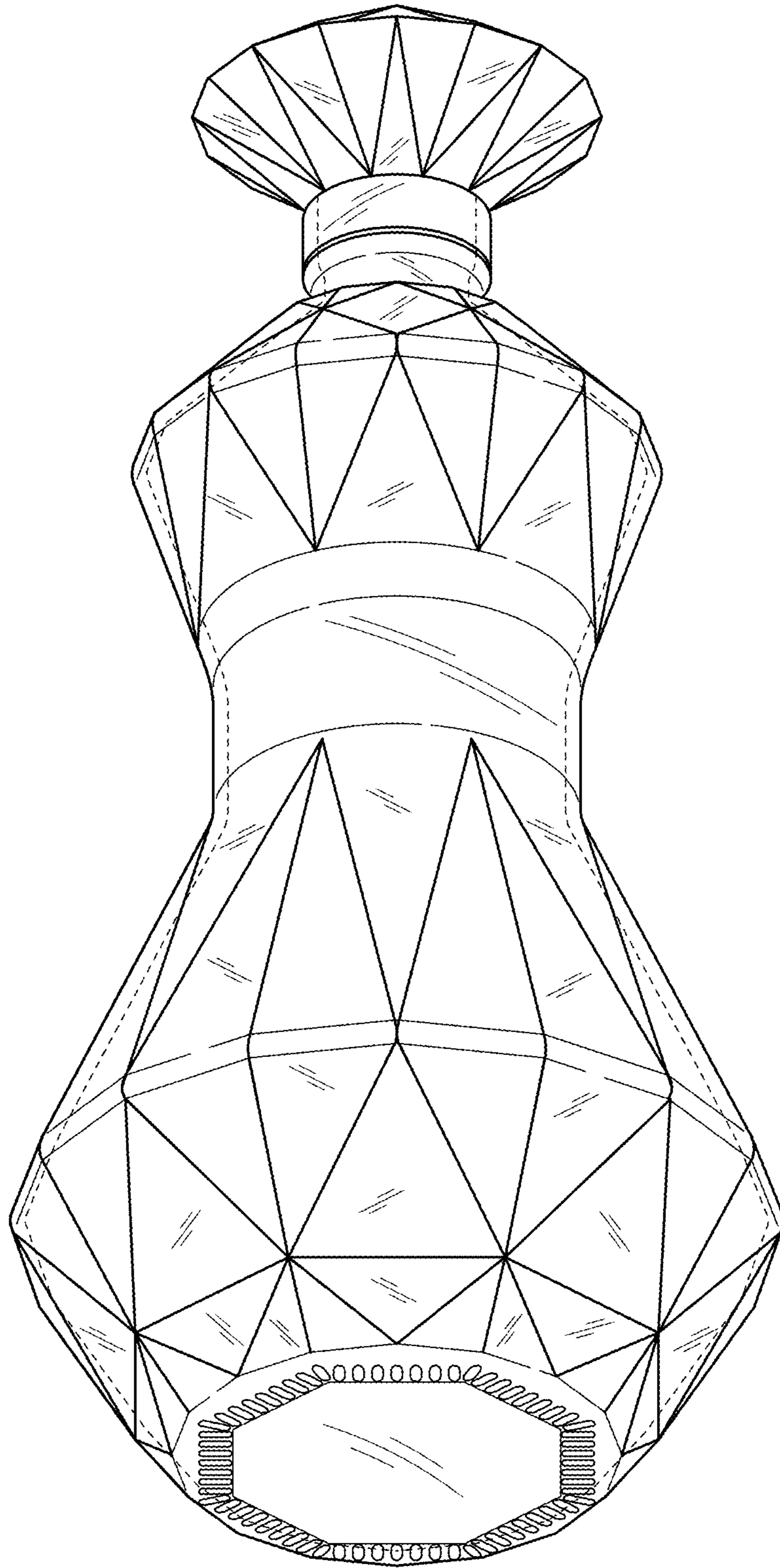


FIG. 8