



US00D948949S

(12) **United States Design Patent**
Zemel et al.

(10) **Patent No.:** **US D948,949 S**
(45) **Date of Patent:** **** Apr. 19, 2022**

(54) **CONTAINER**

(71) Applicant: **Mr. Bar-B-Q Products LLC**, Melville,
NY (US)

(72) Inventors: **Marc Zemel**, Melville, NY (US);
Joanne Rudis, Melville, NY (US)

(73) Assignee: **MR. BAR-B-Q PRODUCTS LLC**,
Hauppauge, NY (US)

(**) Term: **15 Years**

(21) Appl. No.: **29/722,115**

(22) Filed: **Jan. 27, 2020**

(51) **LOC (13) Cl.** **07-06**

(52) **U.S. Cl.**
USPC **D7/590; D7/602**

(58) **Field of Classification Search**
USPC D7/509, 510, 511, 523, 533, 536, 543,
D7/547, 300.1, 396.1, 396.2, 396.4, 560;
D9/772, 530, 531, 537, 539, 542, 549,
D9/559, 435, 443, 905
CPC A45F 3/16; A47G 19/22; A47G 19/2266;
B65D 41/04; B65D 41/0414; B65D
51/18; B65D 81/3837; A47J 43/27
See application file for complete search history.

(56) **References Cited**

U.S. PATENT DOCUMENTS

D220,867 S * 6/1971 Wright D9/522
D306,558 S * 3/1990 Beaton D9/531

D403,968 S * 1/1999 DeVore D9/536
D447,696 S * 9/2001 Weber D9/531
D481,318 S * 10/2003 Iizuka D9/531
D673,050 S * 12/2012 Pennington, IV D9/531
D904,100 S * 12/2020 Sonnichsen D7/300
2006/0124579 A1* 6/2006 Nielson B65D 23/104
215/396

* cited by examiner

Primary Examiner — Andrew Kerr

(74) *Attorney, Agent, or Firm* — Carter, DeLuca & Farrell
LLP

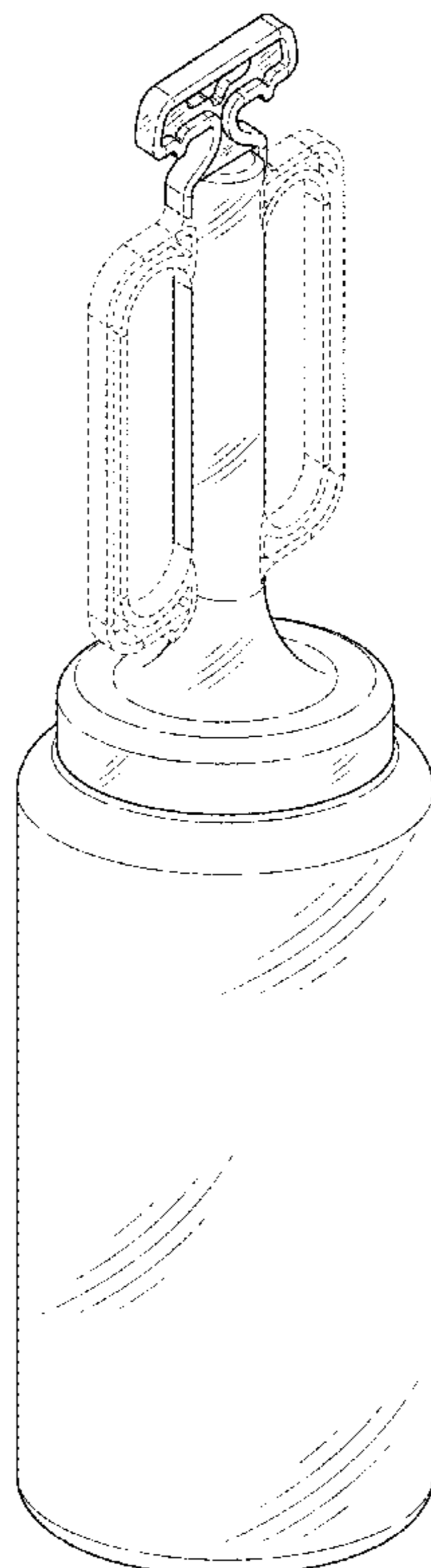
(57) **CLAIM**

The ornamental design for a container, as shown and
described.

DESCRIPTION

FIG. 1 is a perspective view of a container showing our new
design;
FIG. 2 is a front side elevational view thereof;
FIG. 3 is a rear side elevational view thereof;
FIG. 4 is a right elevational view thereof;
FIG. 5 is a left elevational view thereof;
FIG. 6 is a top plan view thereof; and,
FIG. 7 is a bottom plan view thereof.
The broken lines shown in the drawings illustrate portions of
the container that form no part of the claimed design.

1 Claim, 4 Drawing Sheets



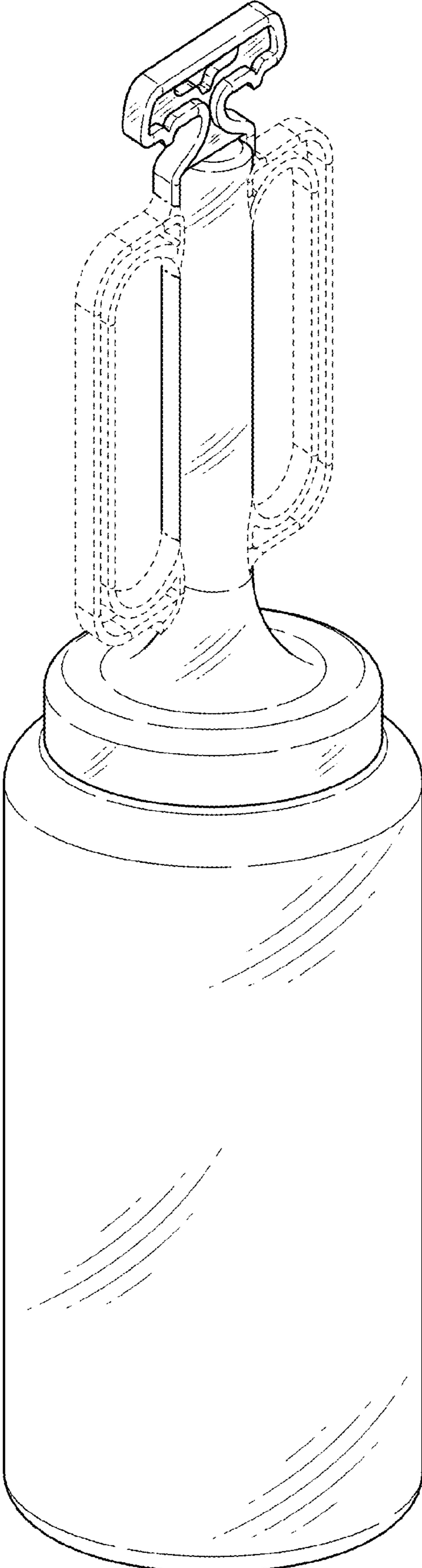


FIG. 1

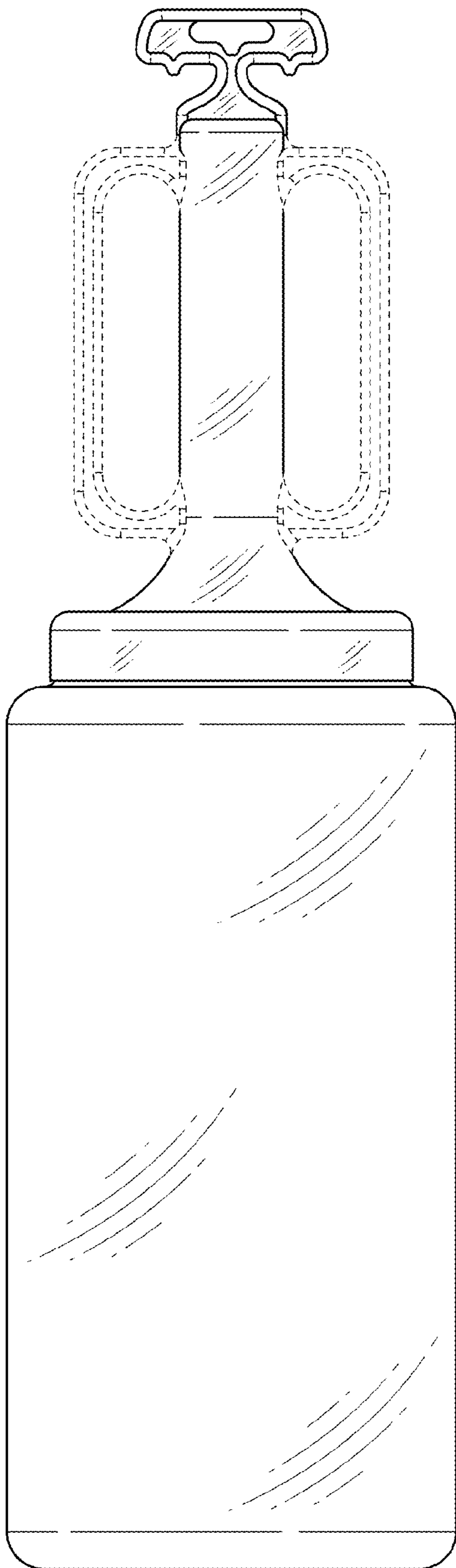


FIG. 2

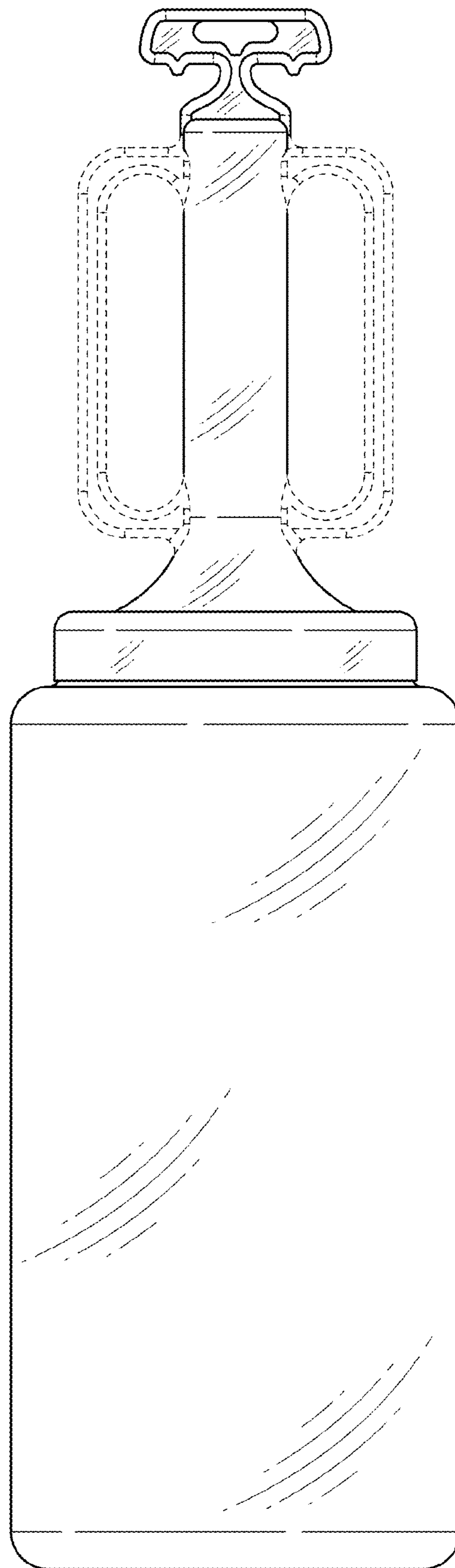


FIG. 3

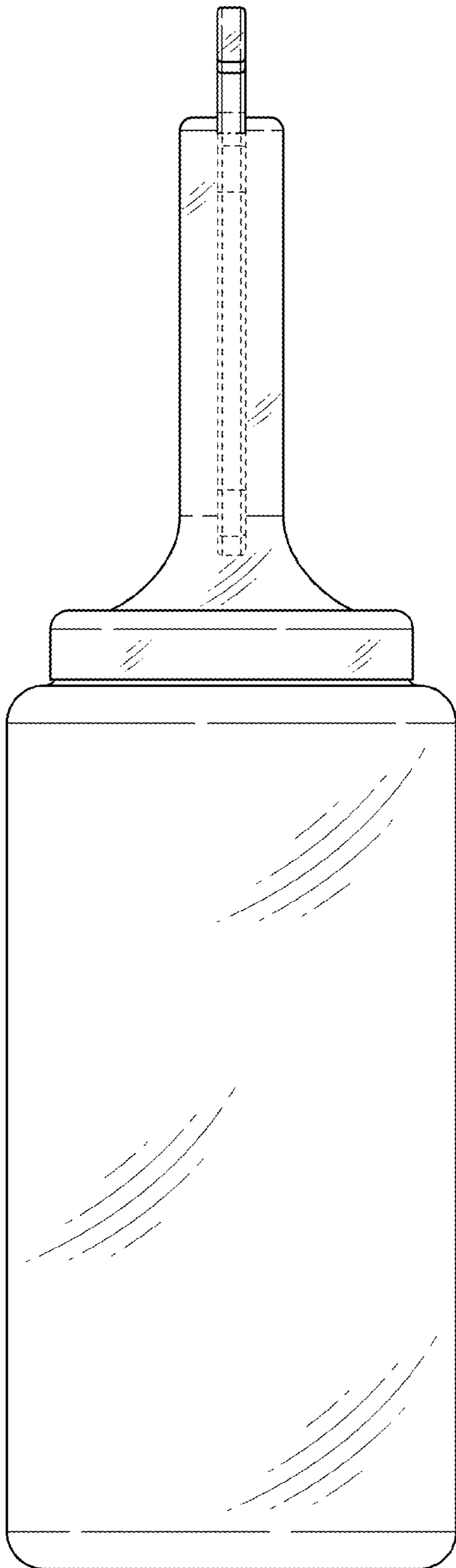


FIG. 4

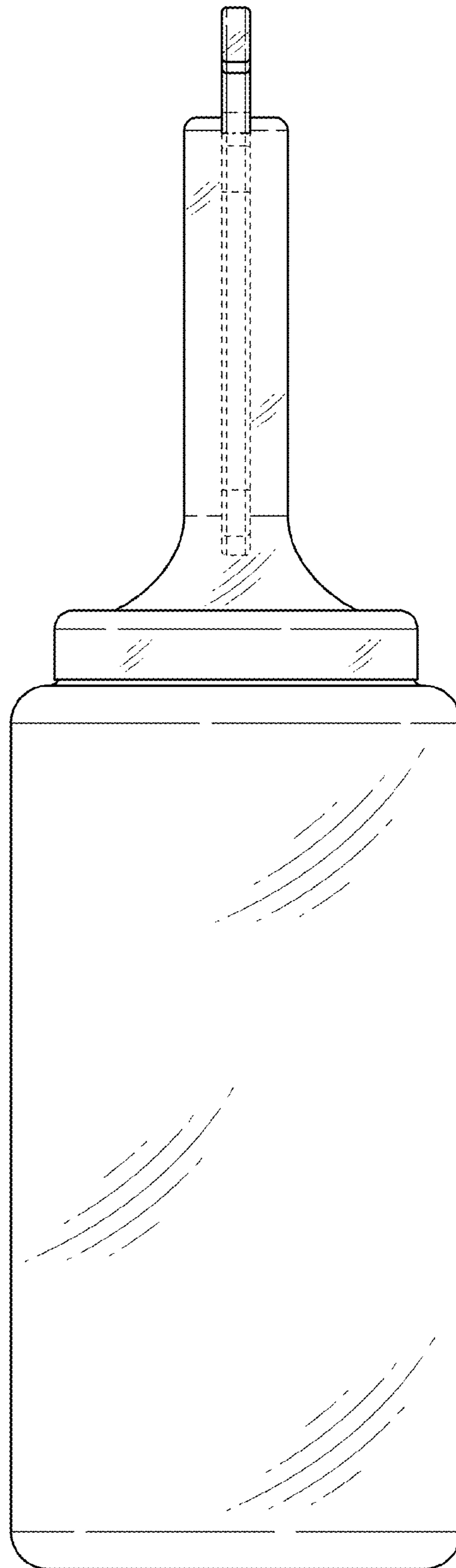


FIG. 5

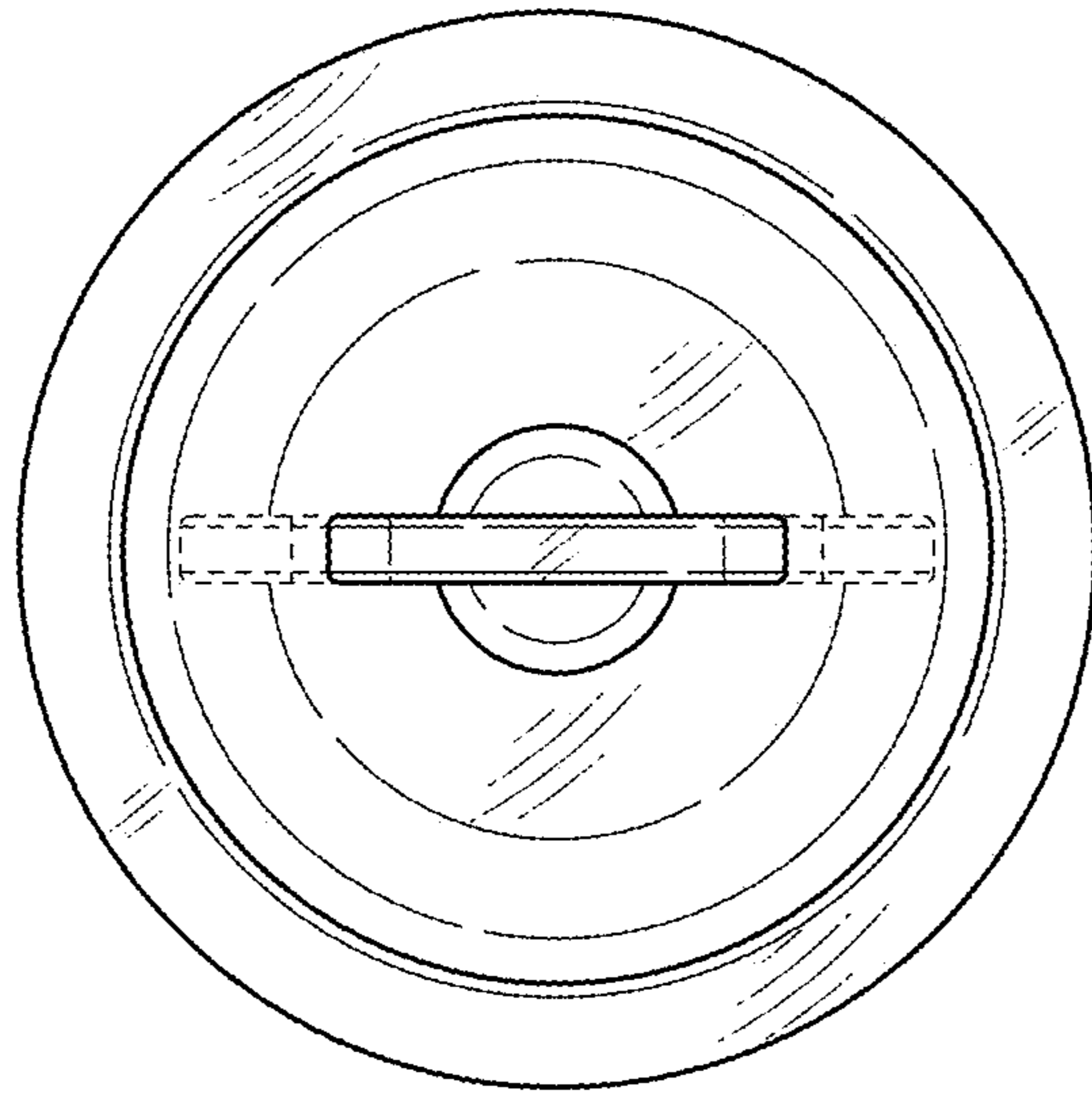


FIG. 6

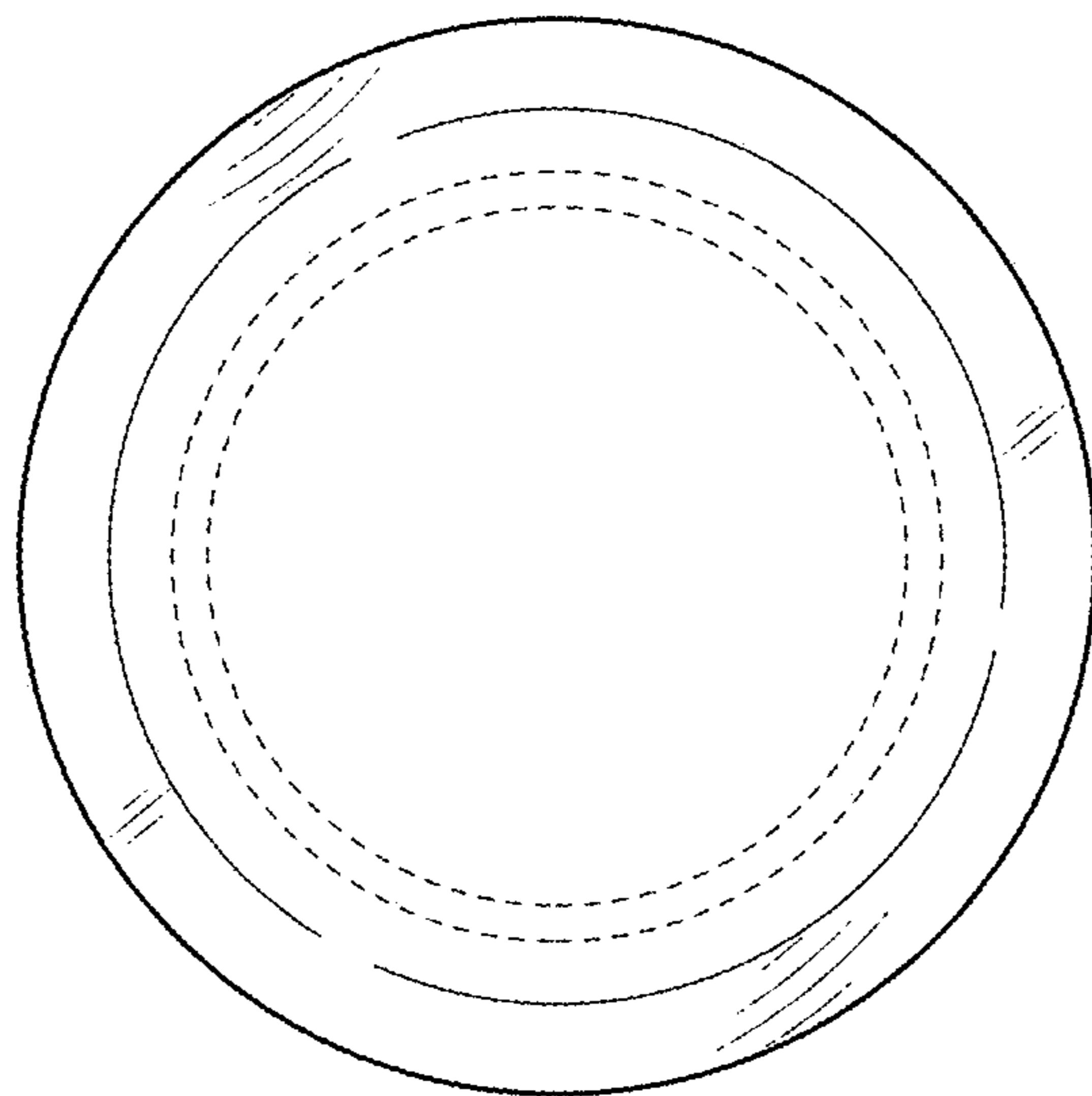


FIG. 7