



US00D948946S

(12) **United States Design Patent**
Wood

(10) **Patent No.:** **US D948,946 S**

(45) **Date of Patent:** **** Apr. 19, 2022**

- (54) **CUP**
- (71) Applicant: **Chilly's Bottles Limited**, London (GB)
- (72) Inventor: **James John Wood**, Bournemouth (GB)
- (73) Assignee: **CHILLY'S BOTTLES LIMITED**,
London (GB)

(**) Term: **15 Years**

(21) Appl. No.: **29/721,612**

(22) Filed: **Jan. 22, 2020**

(30) **Foreign Application Priority Data**

Jul. 23, 2019 (EM) 006643268-0001

(51) **LOC (13) Cl.** **07-01**

(52) **U.S. Cl.**
USPC **D7/511; D7/608; D7/523**

(58) **Field of Classification Search**
USPC D7/507, 509, 510, 511, 529, 531, 532,
D7/523, 533, 534, 535, 536, 392.1, 396.1,
D7/396.2, 300.1, 608; D3/202
CPC A47G 19/22; A47G 19/2288; A47G
19/2205; A47G 19/2211; A47G 19/2216;
A47J 41/0077; A47J 41/0088; A47J
43/27; B65D 1/265
See application file for complete search history.

(56) **References Cited**

U.S. PATENT DOCUMENTS

- D266,391 S * 10/1982 Jordon D7/608
- 5,467,891 A * 11/1995 Perry B65D 81/3886
220/739
- 6,257,432 B1 * 7/2001 Ekkert B65D 41/0421
215/331
- D557,994 S * 12/2007 Wahl D7/608
- D660,084 S * 5/2012 Gilbert D7/538
- D675,881 S * 2/2013 Wamack, Jr. D7/608
- D721,921 S * 2/2015 Stokols D7/511
- D751,924 S * 3/2016 Boldis D9/776

- D779,285 S * 2/2017 Seiders D7/624.2
- D779,892 S * 2/2017 Seiders D7/624.2
- D780,533 S * 3/2017 Seiders D7/624.2
- D839,676 S * 2/2019 Seiders D7/523
- D839,677 S * 2/2019 Seiders D7/523

(Continued)

FOREIGN PATENT DOCUMENTS

- CN 306246633 * 12/2020
- CN 306282252 * 1/2021

(Continued)

OTHER PUBLICATIONS

U-Konserve Stainless Steel [online] URL: <https://www.amazon.com/dp/B08B5J4LRL/> (site visited: Aug. 2021) (Year: 2020).
Stainless steel thermos for storing food and drink [online] URL: <https://www.alamy.com/stainless-steel-thermos-for-storing-food-and-drinks-on-a-white-background-image361825287.html?> (site visited: Aug. 2021) (Year: 2020).*

(Continued)

Primary Examiner — Jae Liang
Assistant Examiner — Tia Ruth-Renee Polidori
(74) *Attorney, Agent, or Firm* — McAndrews, Held & Malloy, Ltd.

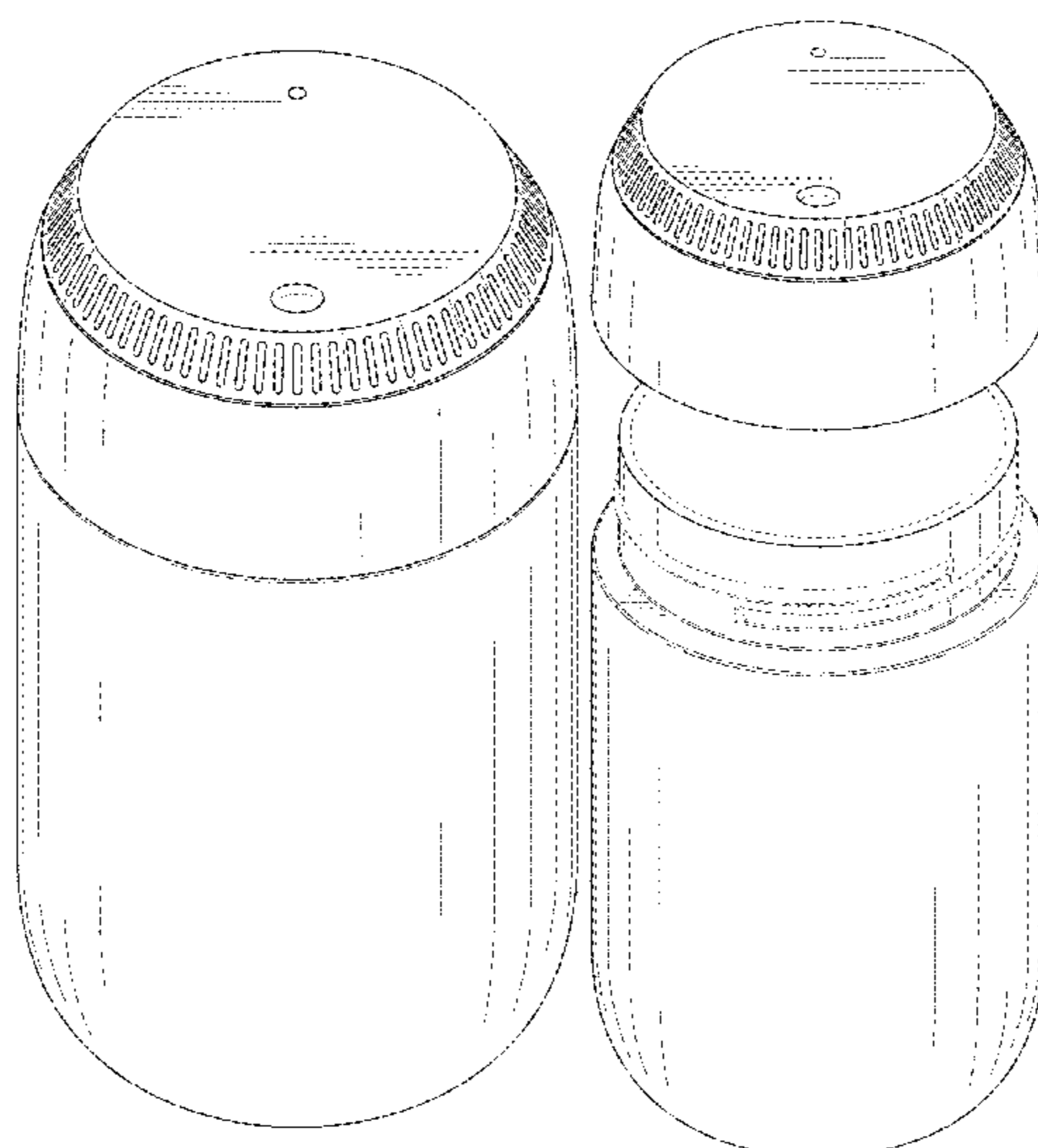
(57) **CLAIM**

The ornamental design for a cup, as shown and described.

DESCRIPTION

FIG. 1 is a front perspective view of a cup showing my new design;
FIG. 2 is a rear perspective view thereof;
FIG. 3 is a side elevation view thereof;
FIG. 4 is a top plan view thereof;
FIG. 5 is a bottom plan view thereof; and,
FIG. 6 is another front perspective exploded view thereof.
The dashed broken lines in the figures illustrate portions of the cup that form no part of the claimed design.

1 Claim, 6 Drawing Sheets



(56)

References Cited

U.S. PATENT DOCUMENTS

D878,160 S * 3/2020 Corbet D7/523
 D881,014 S * 4/2020 Butcher D9/516
 D888,505 S * 6/2020 Seiders D7/624.2
 D899,874 S * 10/2020 Lane D7/629
 10,835,067 B2 * 11/2020 Rane A47G 23/02
 D913,050 S * 3/2021 Patterson D7/624.3
 D920,746 S * 6/2021 Seiders D7/624.2
 D925,363 S * 7/2021 Bischoff D9/516
 2019/0308782 A1 * 10/2019 Lane B65D 81/3841
 2020/0253401 A1 * 8/2020 Haas A47G 19/2216

FOREIGN PATENT DOCUMENTS

GB 9007974852-000 * 5/2020
 JP D1632689 * 5/2019
 WO WOD102088-001 * 8/2018

OTHER PUBLICATIONS

Best Thermos Flasks and Insulated Bottles in 2021—Cool of the Wild [online] URL: <https://coolofthewild.com/best-thermoses/> (site visited: Aug. 2021) (Year: 2021).*

Beveled Unlined Caps _ U.S. Plastic Corp [online] URL: <https://www.usplastic.com/catalog/item.aspx?itemid=126574> (site visited: Aug. 2021) (Year: 2021).*

Carter Everywhere Mug—Fellow [online] URL: https://fellowproducts.com/products/carter-everywhere-mug?gclid=EAlalQobChMlg4jXraa98glV7walCR3euQjKEAkYASABEgJHWvD_BwE (site visited: Aug. 2021) (Year: 2021).*

Food Thermos—20oz Vacuum . . . [online] URL: <https://www.amazon.com/Food-Thermos-Insulated-Container-Stainless/dp/B091GWGKKY/> (site visited: Aug. 2021) (Year: 2021).*

* cited by examiner

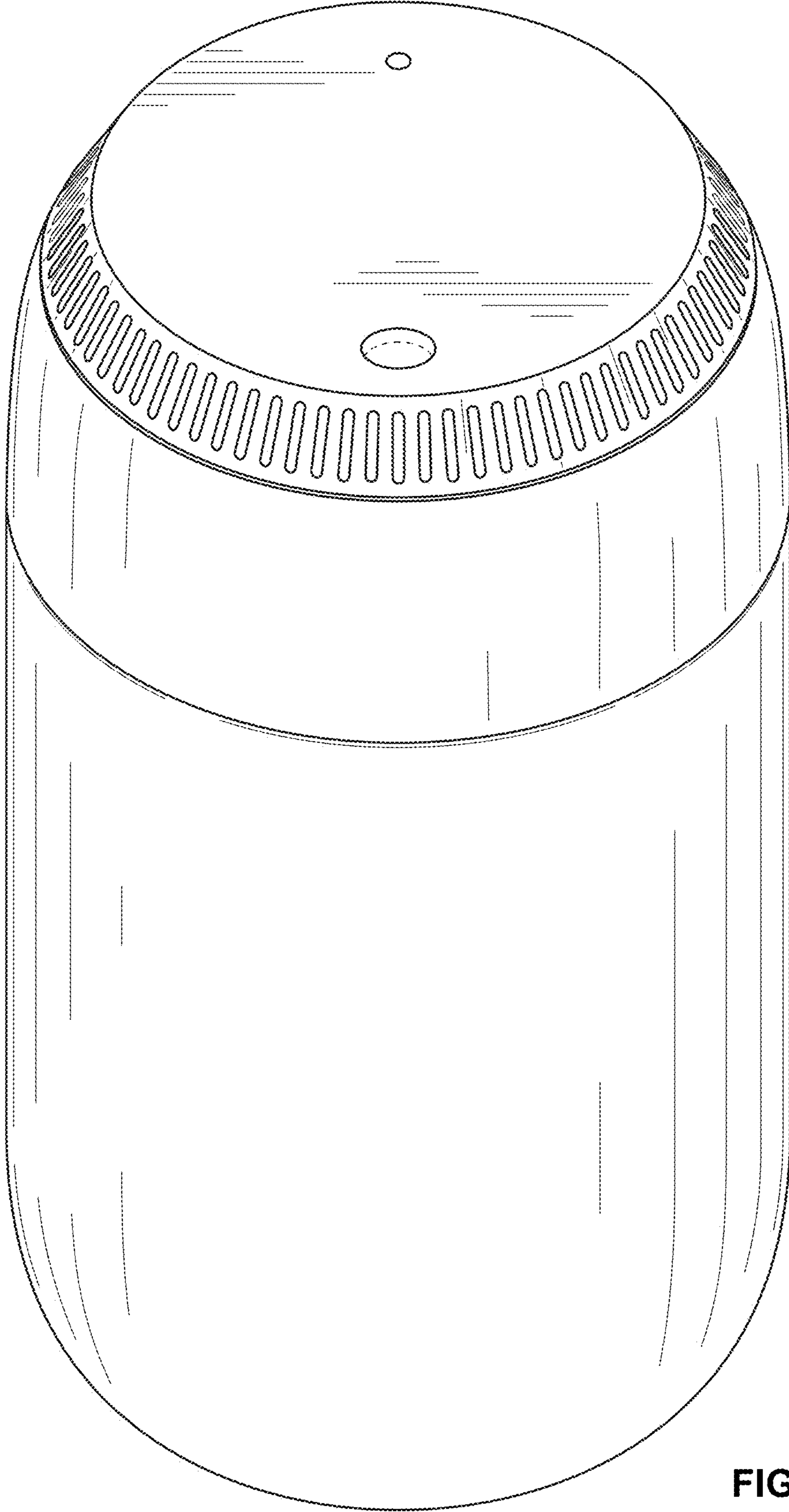


FIG. 1

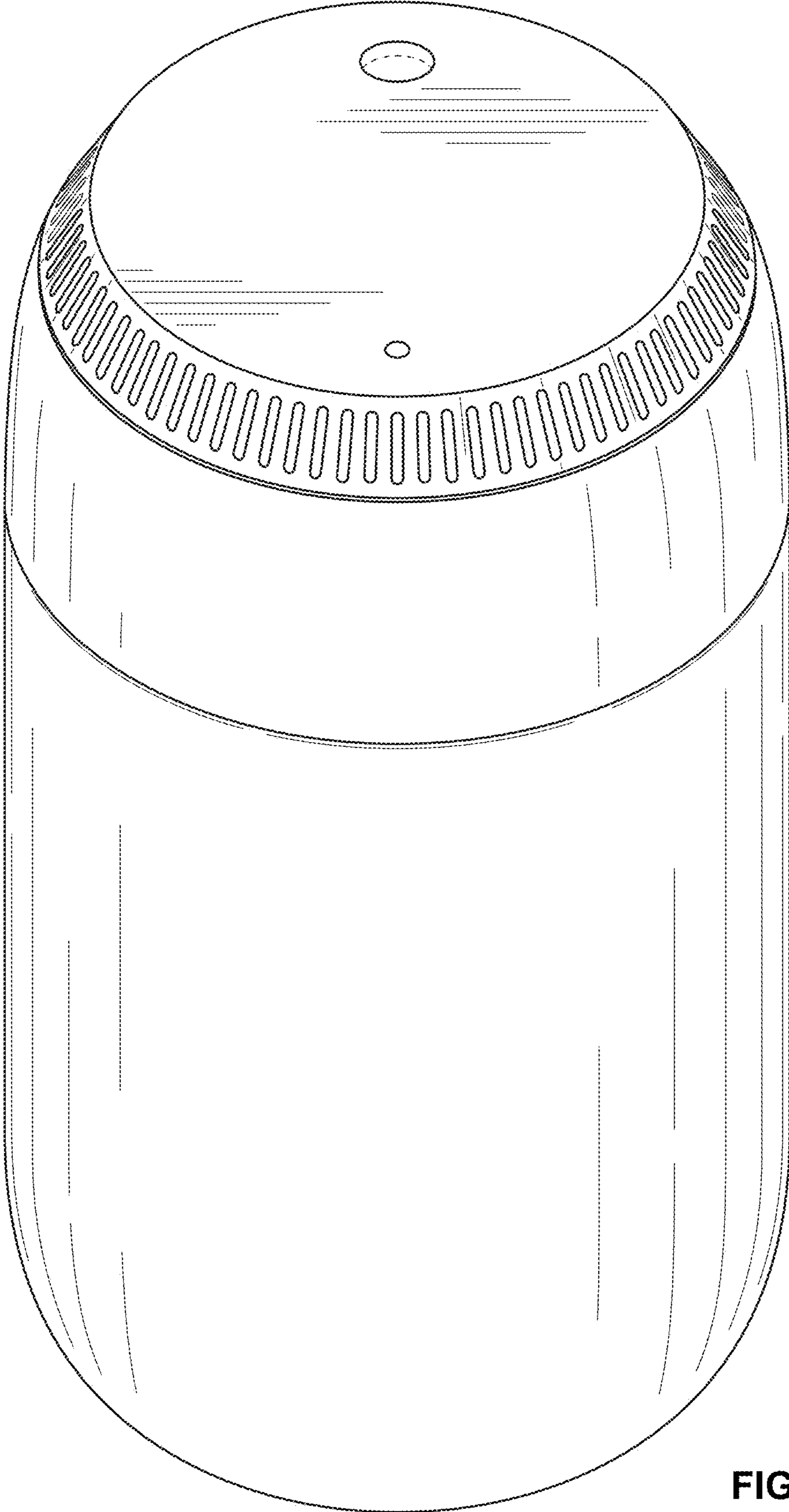


FIG. 2

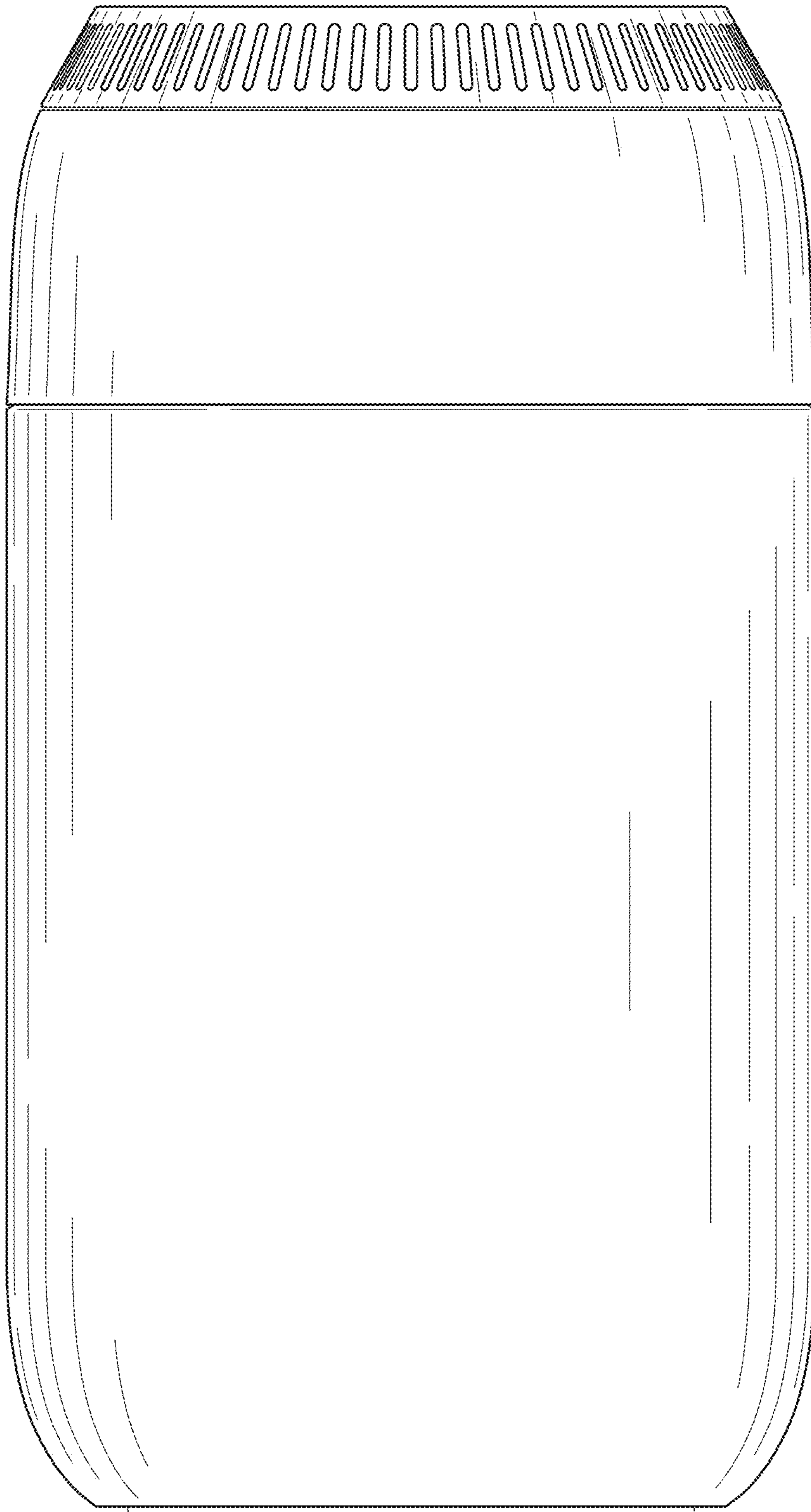


FIG. 3

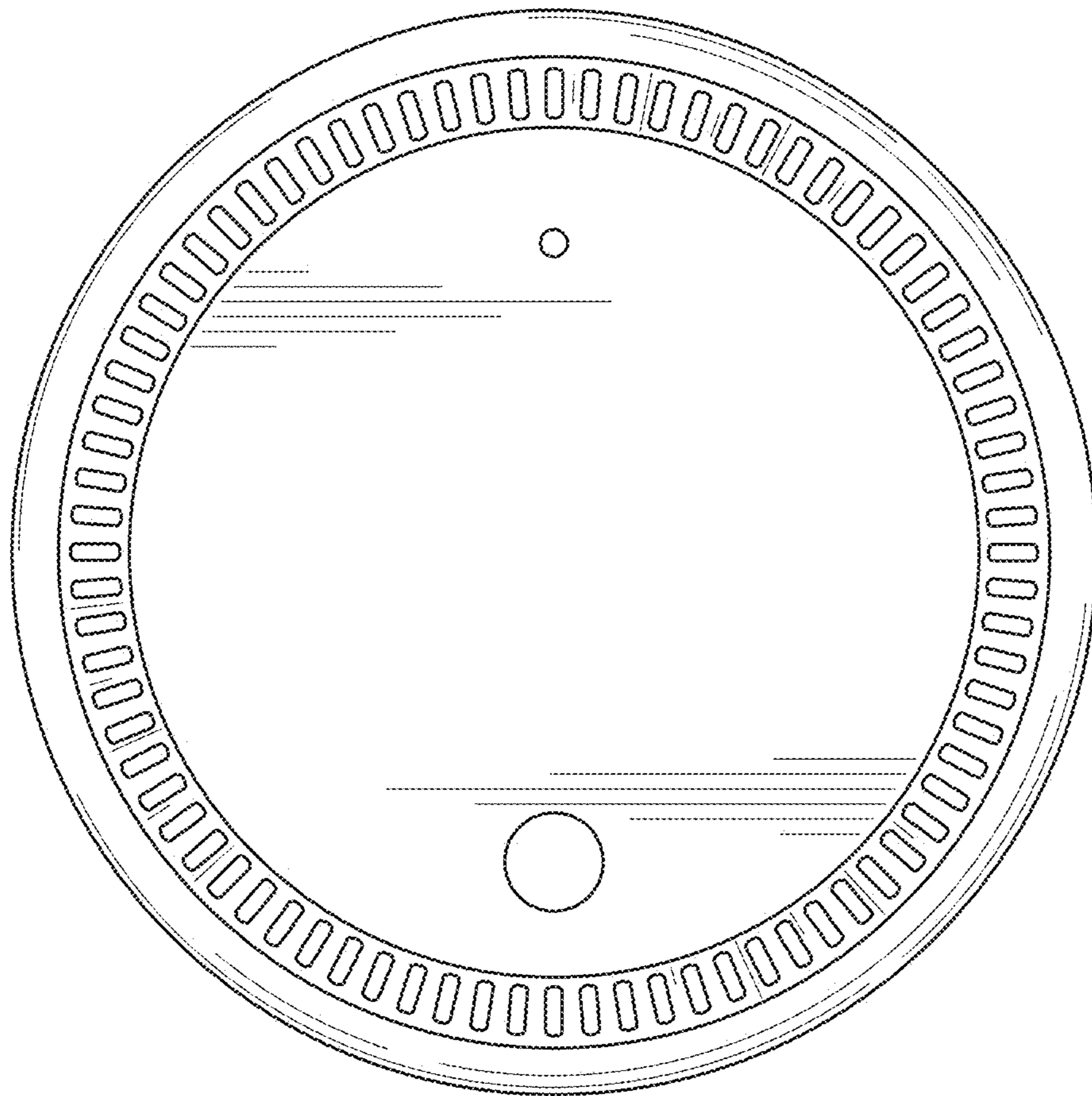


FIG. 4

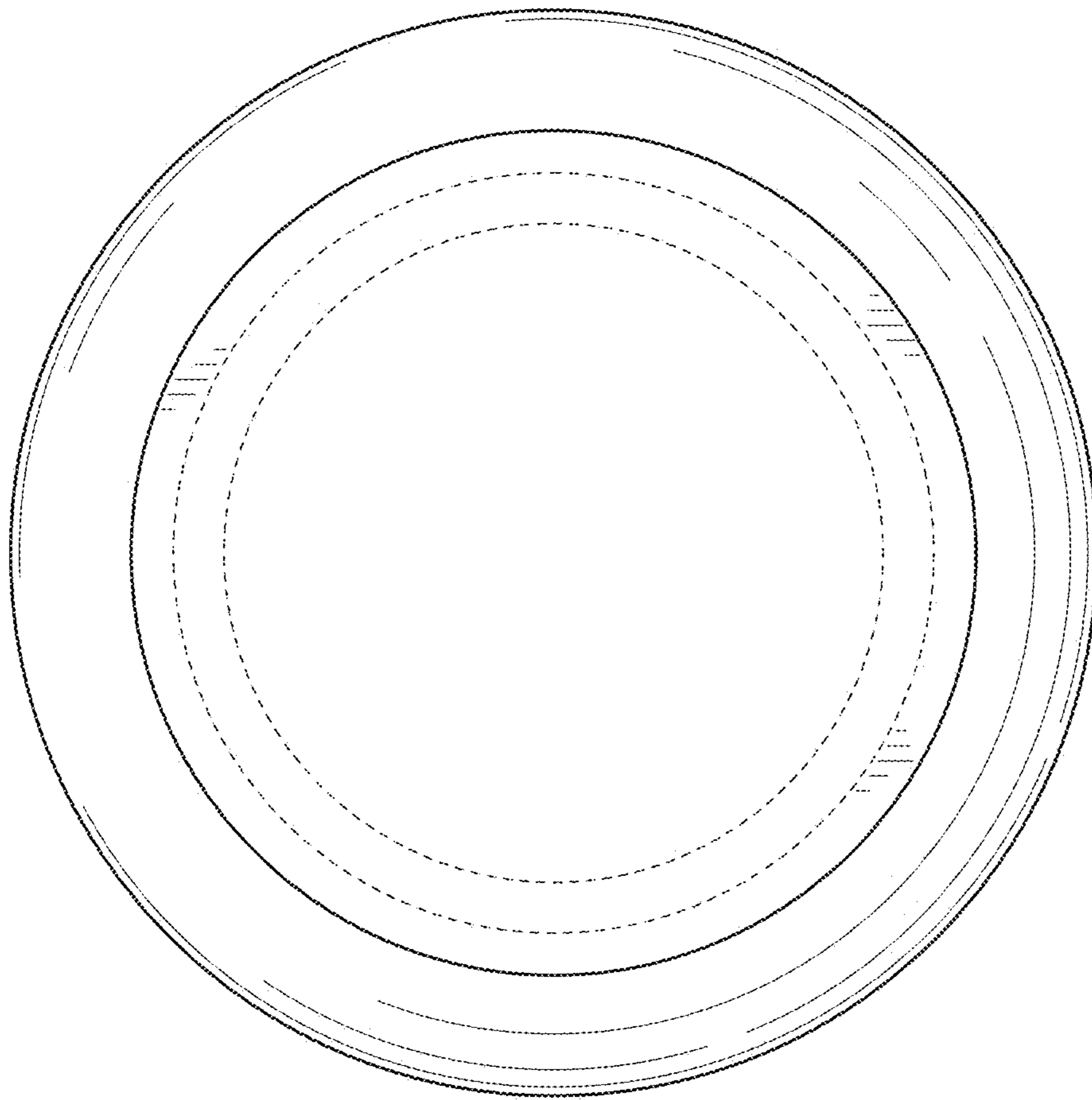


FIG. 5

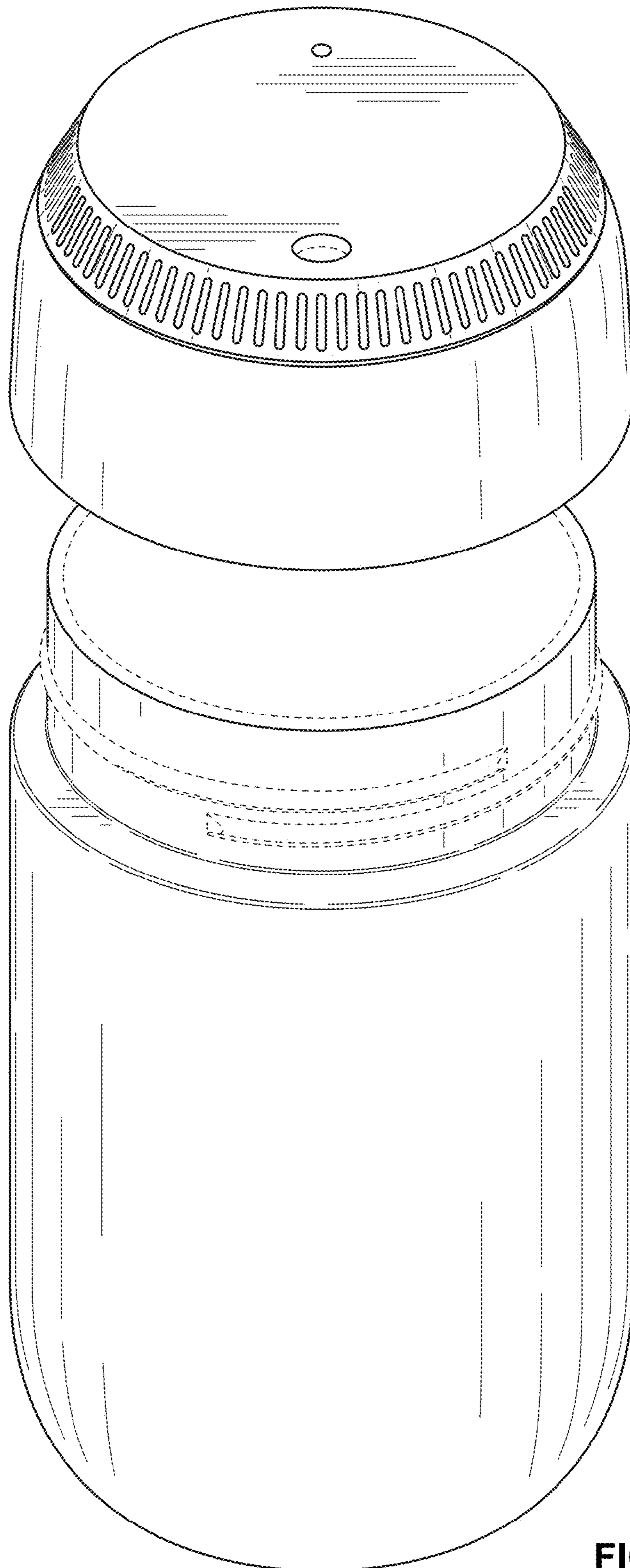


FIG. 6