



US00D948943S

(12) **United States Design Patent**  
**Mayer et al.**

(10) **Patent No.:** **US D948,943 S**  
(45) **Date of Patent:** **\*\* Apr. 19, 2022**

- (54) **TACO INSERT**
- (71) Applicant: **Inno-Pak, LLC**, Delaware, OH (US)
- (72) Inventors: **Steven A. Mayer**, Indianapolis, IN (US); **Adam M. Bechtold**, Chester Springs, PA (US)
- (73) Assignee: **Inno-Pak, LLC**, Delaware, OH (US)
- (\*\*) Term: **15 Years**
- (21) Appl. No.: **29/758,218**
- (22) Filed: **Nov. 13, 2020**
- (51) **LOC (13) Cl.** ..... **09-03**
- (52) **U.S. Cl.**  
USPC ..... **D7/504**; D7/553.2; D9/761
- (58) **Field of Classification Search**  
USPC ..... D7/354, 357, 368, 380–382, 387, 396.1, D7/412, 500, 502, 504, 505, 538, 550.1, D7/553.1–553.3, 554.1, 554.3, 555, 557, D7/584, 586, 601, 602, 665–670, D7/672–674, 678, 682, 683, 688, 692, D7/693, 697; D1/122; D3/304; D6/536; D9/425, 432, 756, 759, 761; D15/90; D19/75  
CPC .. A47G 19/06; A47G 19/30; A47G 2019/306; A47J 37/01; A47J 37/1295  
See application file for complete search history.

- D425,755 S \* 5/2000 Thomas ..... B65D 75/322 D7/504
  - D500,635 S \* 1/2005 Barry ..... D7/504
  - D549,456 S \* 8/2007 Dretzka ..... D3/304
  - D591,175 S \* 4/2009 Larson ..... D9/425
  - D616,250 S \* 5/2010 Peyton ..... D7/553.3
  - D688,572 S \* 8/2013 Marin ..... D9/761
  - D871,234 S \* 12/2019 Grove ..... D9/761
  - D875,530 S \* 2/2020 Sill ..... A47G 19/30 D9/456
  - D906,379 S \* 12/2020 Sendowski ..... D15/90
- (Continued)

**OTHER PUBLICATIONS**

Pulp Fiber Tri Compartmental Taco Holder Disposable, first available Feb. 19, 2019, Amazon, [online], [site visited Dec. 17, 2021], Available from internet URL: <https://www.amazon.com/Disposable-Compartment-Divider-MT-Products/dp/B07NWWVKP9> (Year: 2019).\*

(Continued)

*Primary Examiner* — Mary Ann Calabrese  
*Assistant Examiner* — Natalya M Rapundalo  
(74) *Attorney, Agent, or Firm* — Ward and Smith, P.A.; Ryan K. Simmons

(57) **CLAIM**

The ornamental design for a taco insert, as shown and described.

**DESCRIPTION**

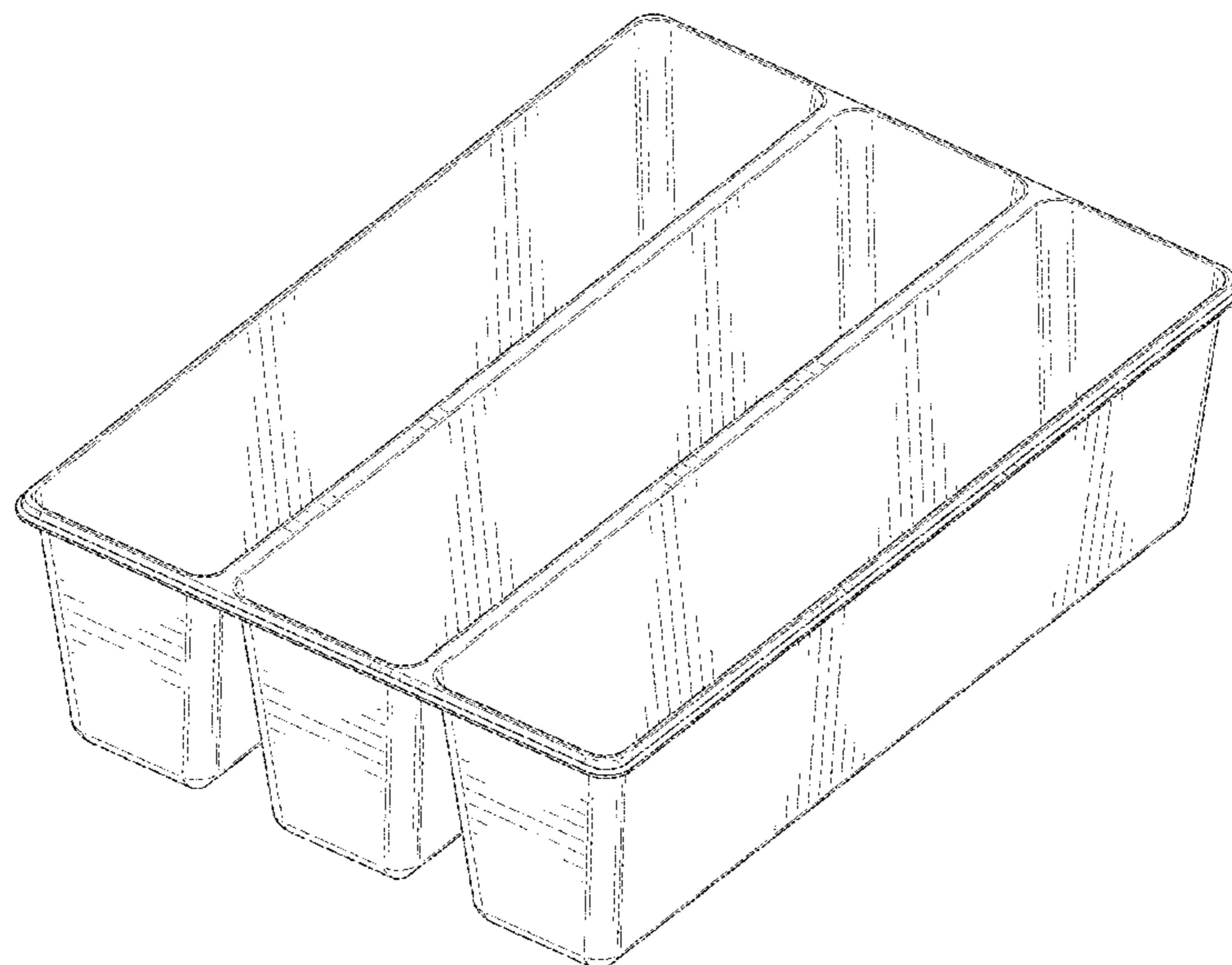
FIG. 1 is a perspective view of a taco insert showing a new design;  
FIG. 2 is a left side elevation view thereof;  
FIG. 3 is a right side elevation view thereof;  
FIG. 4 is a front elevation view thereof;  
FIG. 5 is a rear elevation view thereof;  
FIG. 6 is a top plan view thereof; and,  
FIG. 7 is a bottom plan view thereof.

**1 Claim, 5 Drawing Sheets**

(56) **References Cited**

**U.S. PATENT DOCUMENTS**

- 3,184,319 A \* 5/1965 Fritsche ..... B65D 75/322 426/115
- D241,403 S \* 9/1976 Magnus ..... D7/357
- D257,109 S \* 9/1980 Conti ..... D7/553.3
- 5,203,493 A \* 4/1993 Moody ..... A47G 19/30 206/216
- D370,177 S \* 5/1996 Bankier ..... A47G 19/30 D7/553.3



(56)

**References Cited**

U.S. PATENT DOCUMENTS

2007/0163449 A1\* 7/2007 Hart ..... A47J 36/2405  
99/426  
2008/0286431 A1\* 11/2008 Brown ..... A47G 19/30  
426/560  
2021/0178721 A1\* 6/2021 Mayer ..... B65D 5/48042

OTHER PUBLICATIONS

Design No. 6119979, Feb. 19, 2021—Intellectual Property Office of the United Kingdom (IPO) Publication Date—Feb. 19, 2021 Owner—Packaging Environmental Limited WIPO, available at <https://www3.wipo.int/designdb/en/index.jsp> (Year: 2021).\*

Innobox Edge Inserts, Innopak, [online], [site visited Dec. 17, 2021], Available from internet URL: <https://www.innopak.com/products/innobox-edge-inserts/> (Year: 2021).\*

\* cited by examiner

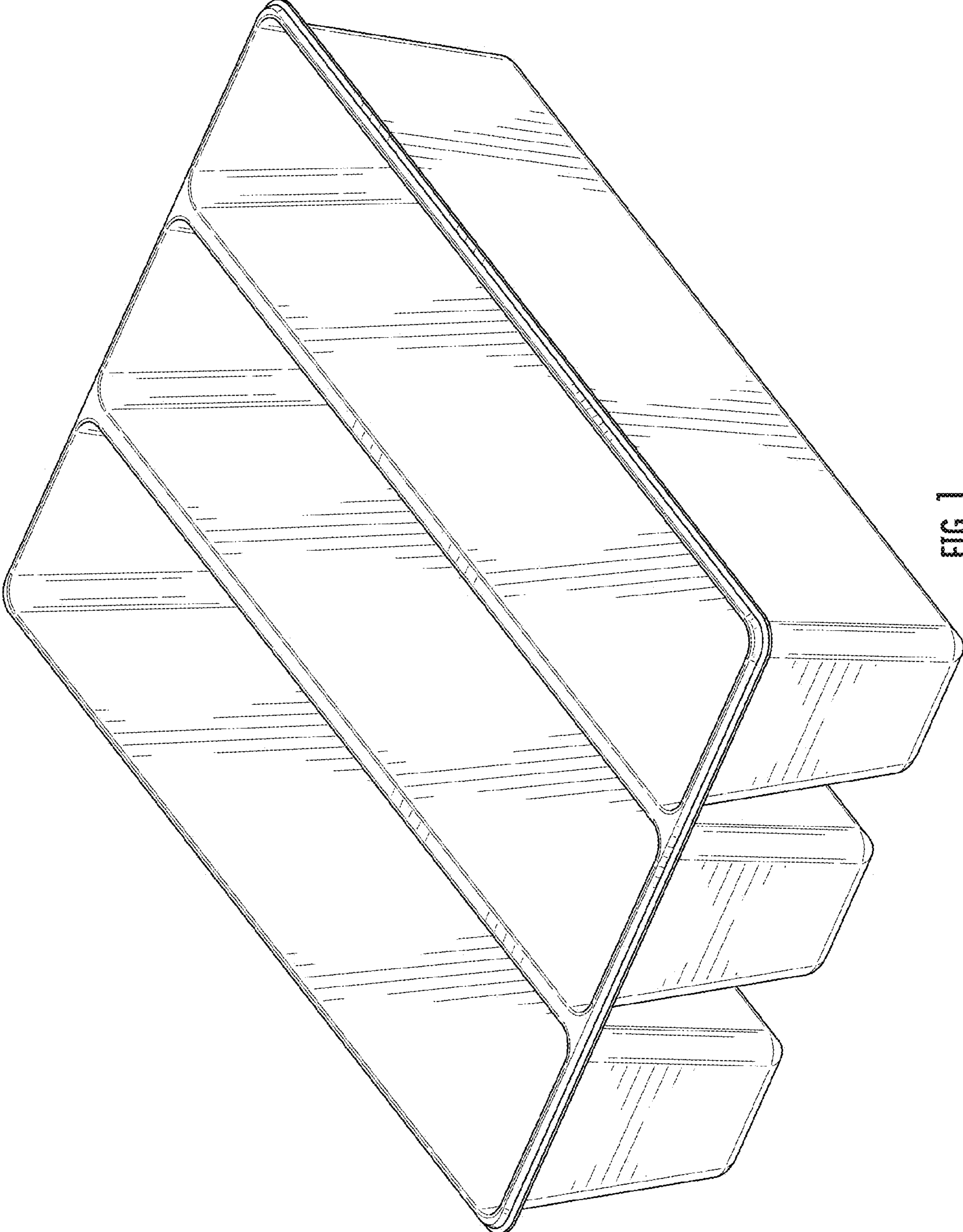


FIG. 1

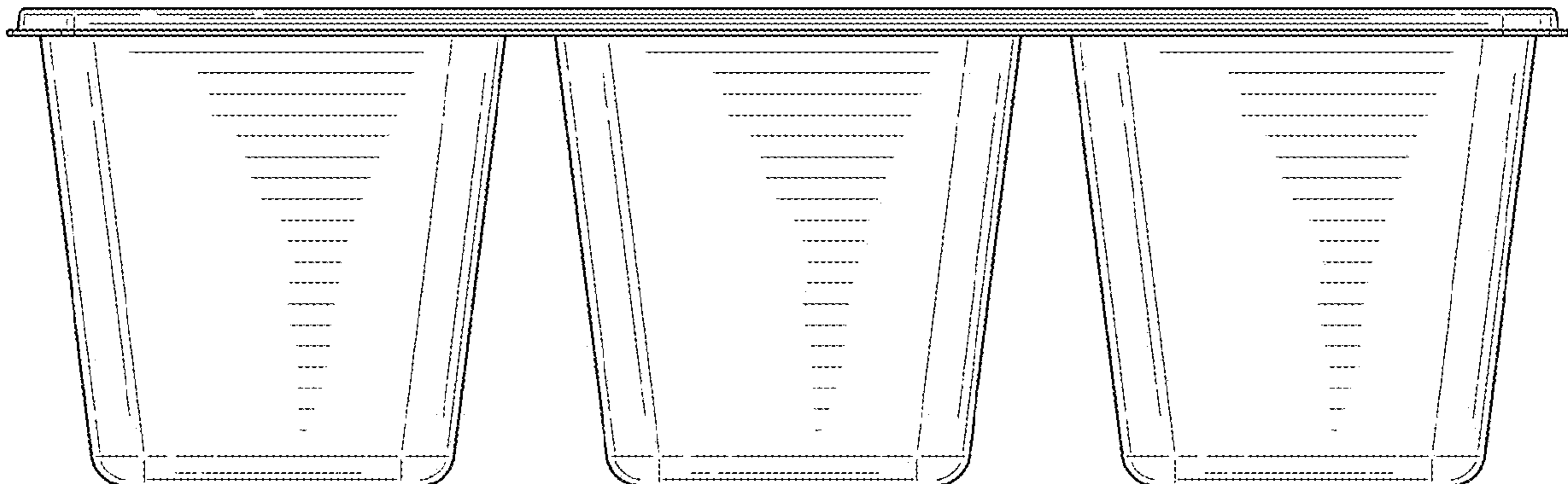


FIG. 2

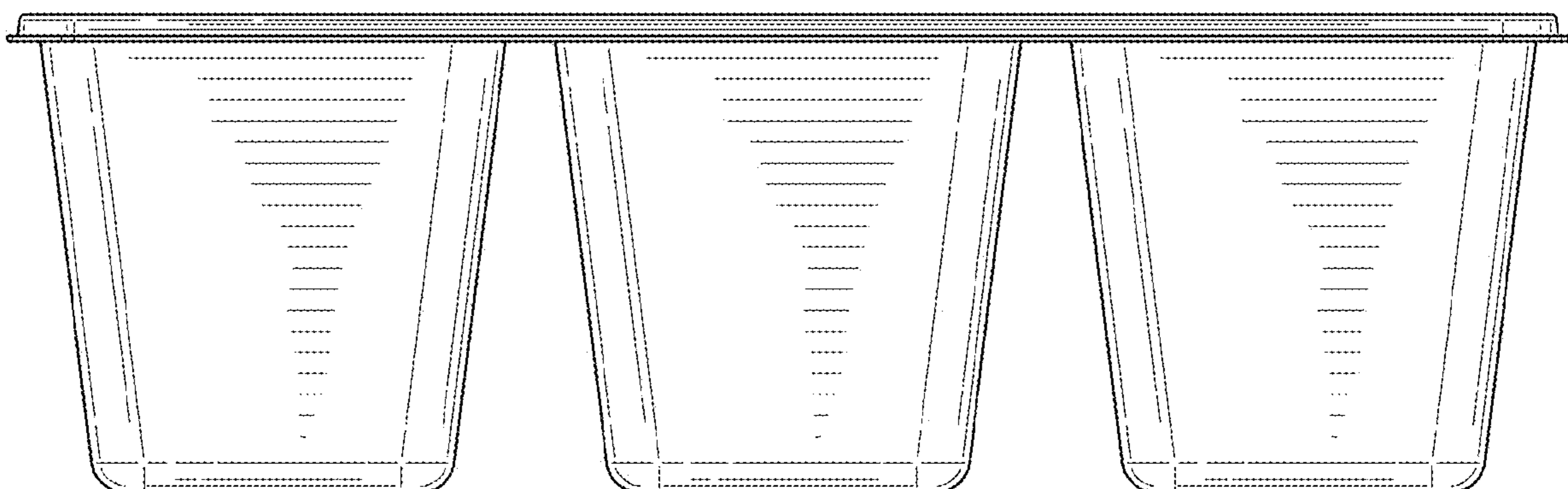


FIG. 3

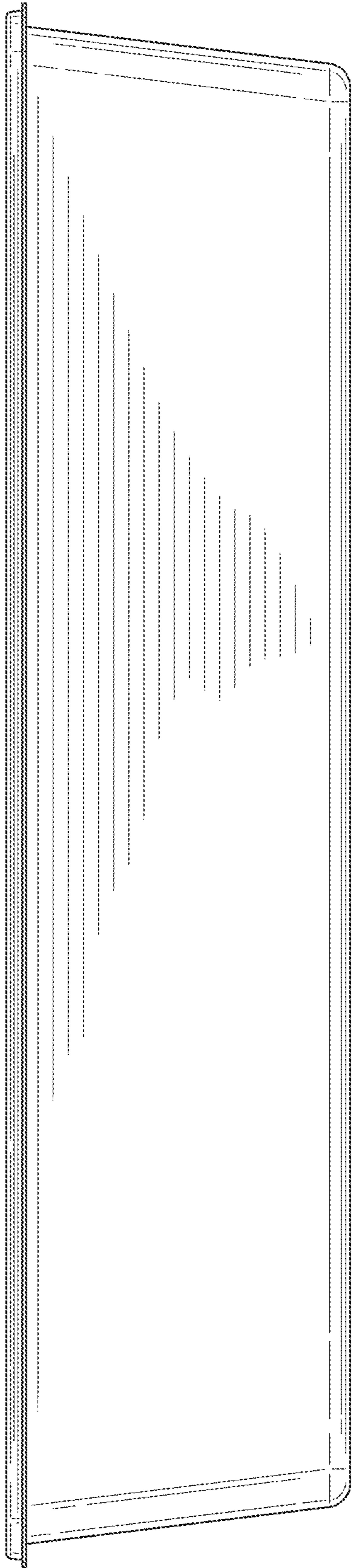


FIG. 4

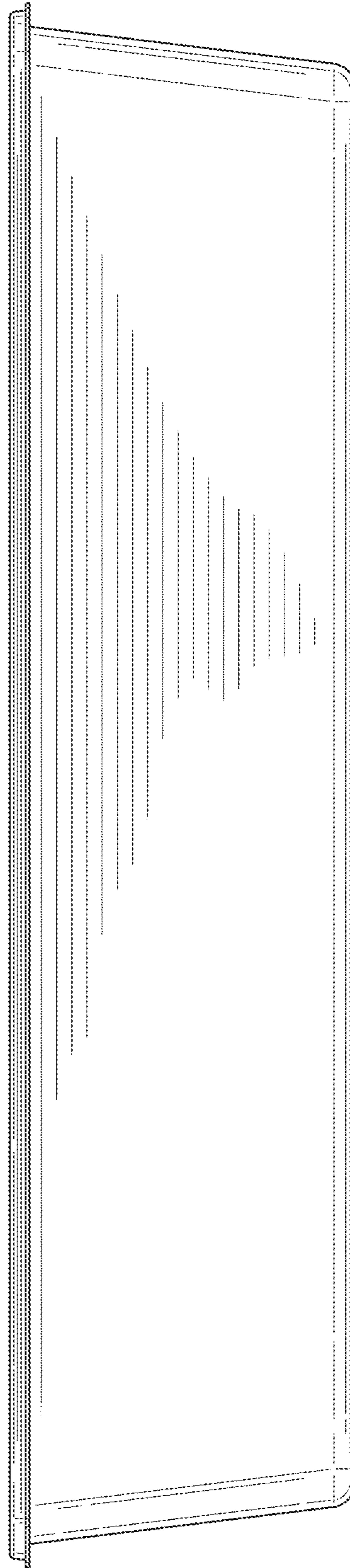


FIG. 5

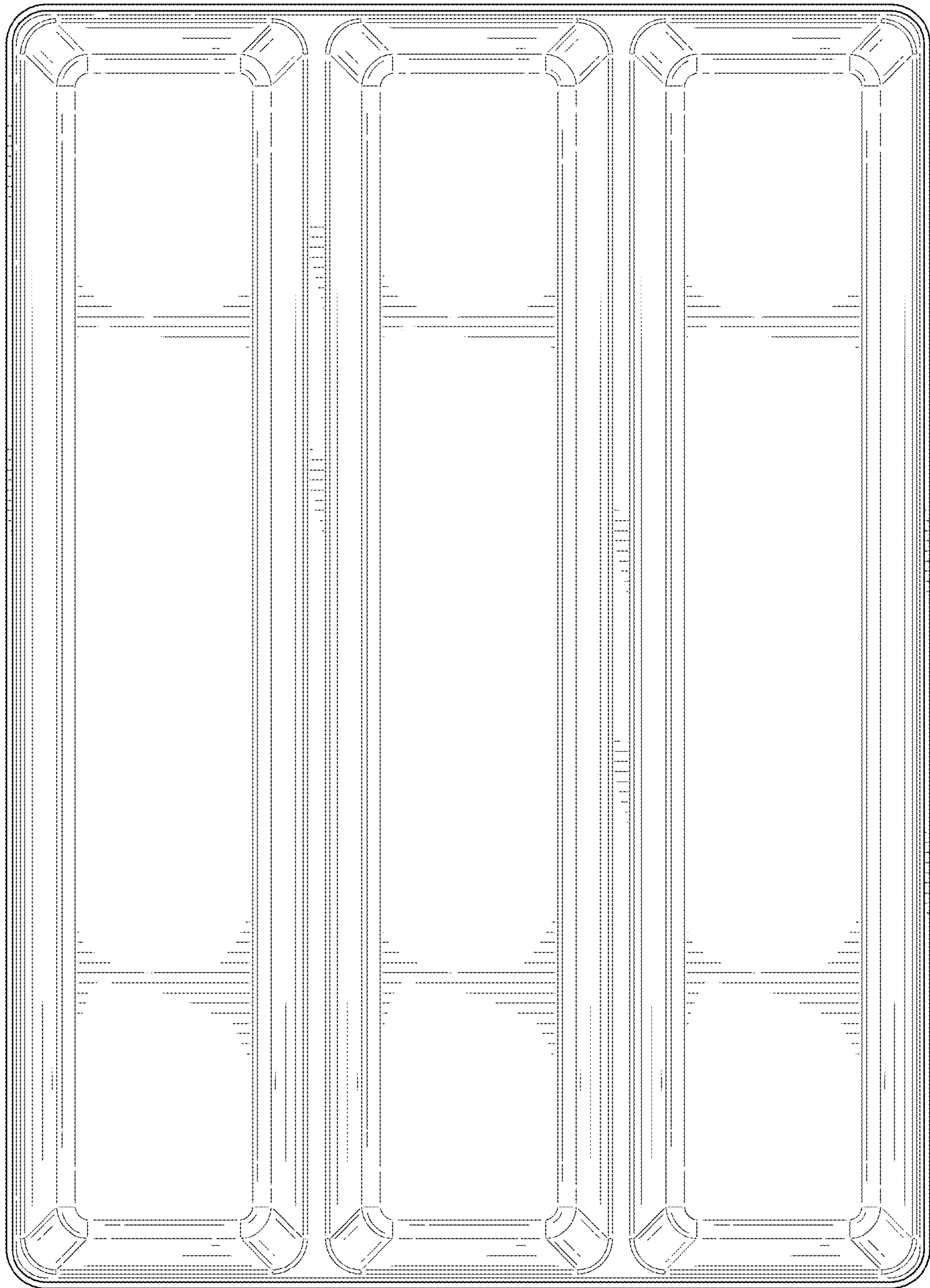


FIG. 6

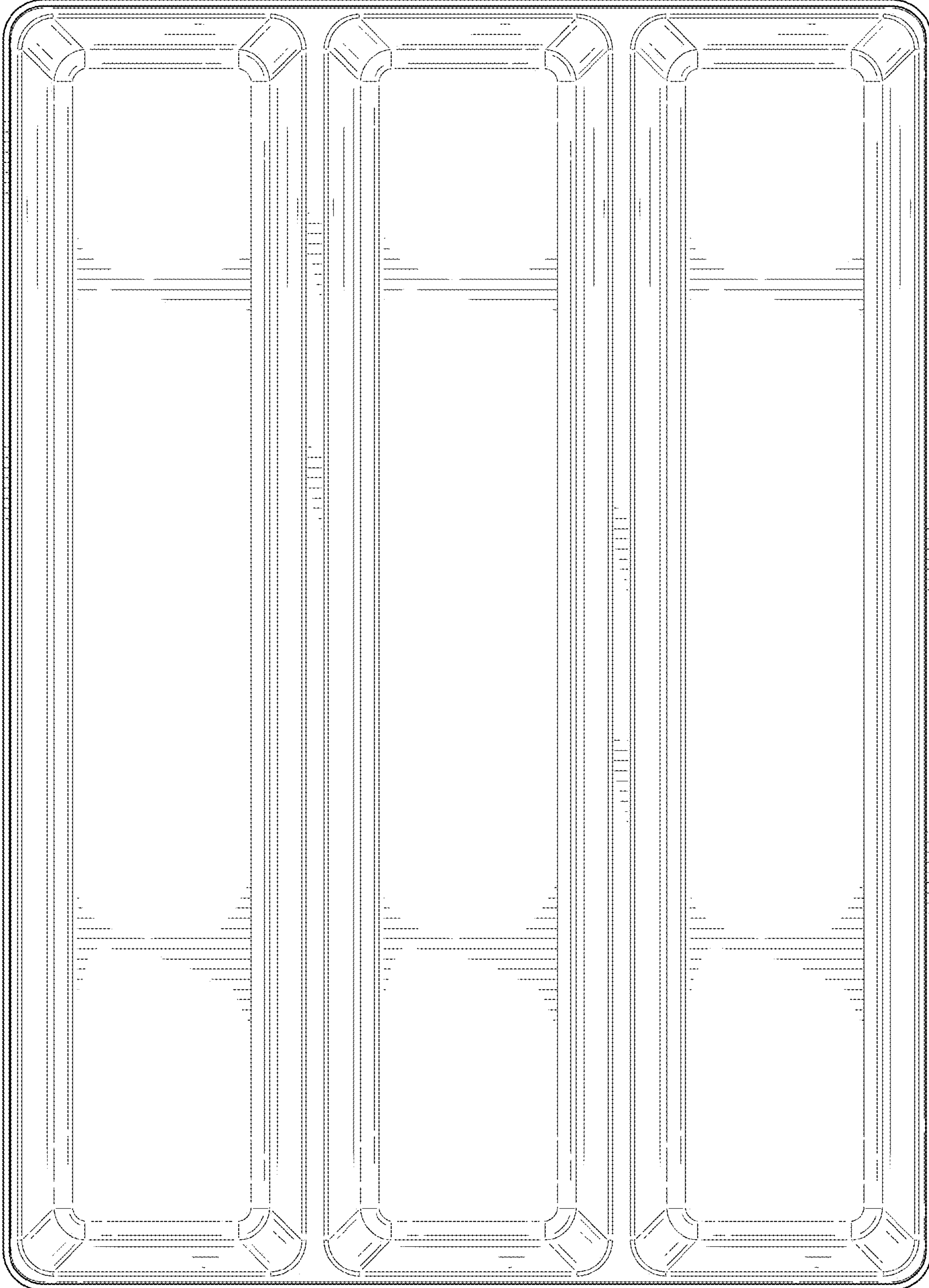


FIG. 7