



US00D948939S

(12) **United States Design Patent** (10) **Patent No.:** **US D948,939 S**  
**Knox et al.** (45) **Date of Patent:** **\*\* Apr. 19, 2022**

(54) **PLANK TOOL**

FOREIGN PATENT DOCUMENTS

(71) Applicant: **Fire & Flavor Grilling Co.**, Athens, GA (US)

DE 202012004383 8/2012  
EM 006542577-0001 7/2019

(Continued)

(72) Inventors: **Davis Purcell Knox**, Athens, GA (US); **Jeffrey Paul Broadrick**, Athens, GA (US); **Kyle Dean Aasness**, Athens, GA (US); **David Matthew Williams Hemming**, Surprise, AZ (US); **Joseph William Pruitt**, Athens, GA (US)

OTHER PUBLICATIONS

International Patent Application No. PCT/US2019/063192, Invitation to Pay Additional Fees and, Where Applicable, Protest Fee, Feb. 14, 2020, 11 pages.

(Continued)

(73) Assignee: **FIRE & FLAVOR GRILLING CO.**, Athens, GA (US)

*Primary Examiner* — Andrew Kerr

(\*\*) Term: **15 Years**

(74) *Attorney, Agent, or Firm* — Kilpatrick Townsend & Stockton LLP

(21) Appl. No.: **29/671,918**

(22) Filed: **Nov. 30, 2018**

(57) **CLAIM**

(51) **LOC (13) Cl.** ..... **07-99**

The ornamental design for a plank tool, as shown and described.

(52) **U.S. Cl.**  
USPC ..... **D7/409**

(58) **Field of Classification Search**  
USPC .... D7/387, 393, 402, 409, 414, 213; D8/33, D8/71, 72, 105, 499, 349, 367; D19/202, D19/203  
CPC ..... A47F 5/08; A47F 5/0006; A47F 13/08; A47F 13/085  
See application file for complete search history.

**DESCRIPTION**

FIG. 1 is a front perspective view of a plank tool.  
FIG. 2 is another front perspective view of the plank tool of FIG. 1 in a use state.  
FIG. 3 is a left side view of the plank tool of FIG. 2.  
FIG. 4 is a right side view of the plank tool of FIG. 2.  
FIG. 5 is a front view of the plank tool of FIG. 2.  
FIG. 6 is a rear view of the plank tool of FIG. 2.  
FIG. 7 is a bottom view of the plank tool of FIG. 2; and, FIG. 8 is a top view of the plank tool of FIG. 2.  
The dash-dot broken lines immediately adjacent to shaded areas in the drawings define the bounds of the claimed design and form no part thereof.  
The remainder of the broken lines in the drawings depict portion of the plank tool that form no part of the claimed design.

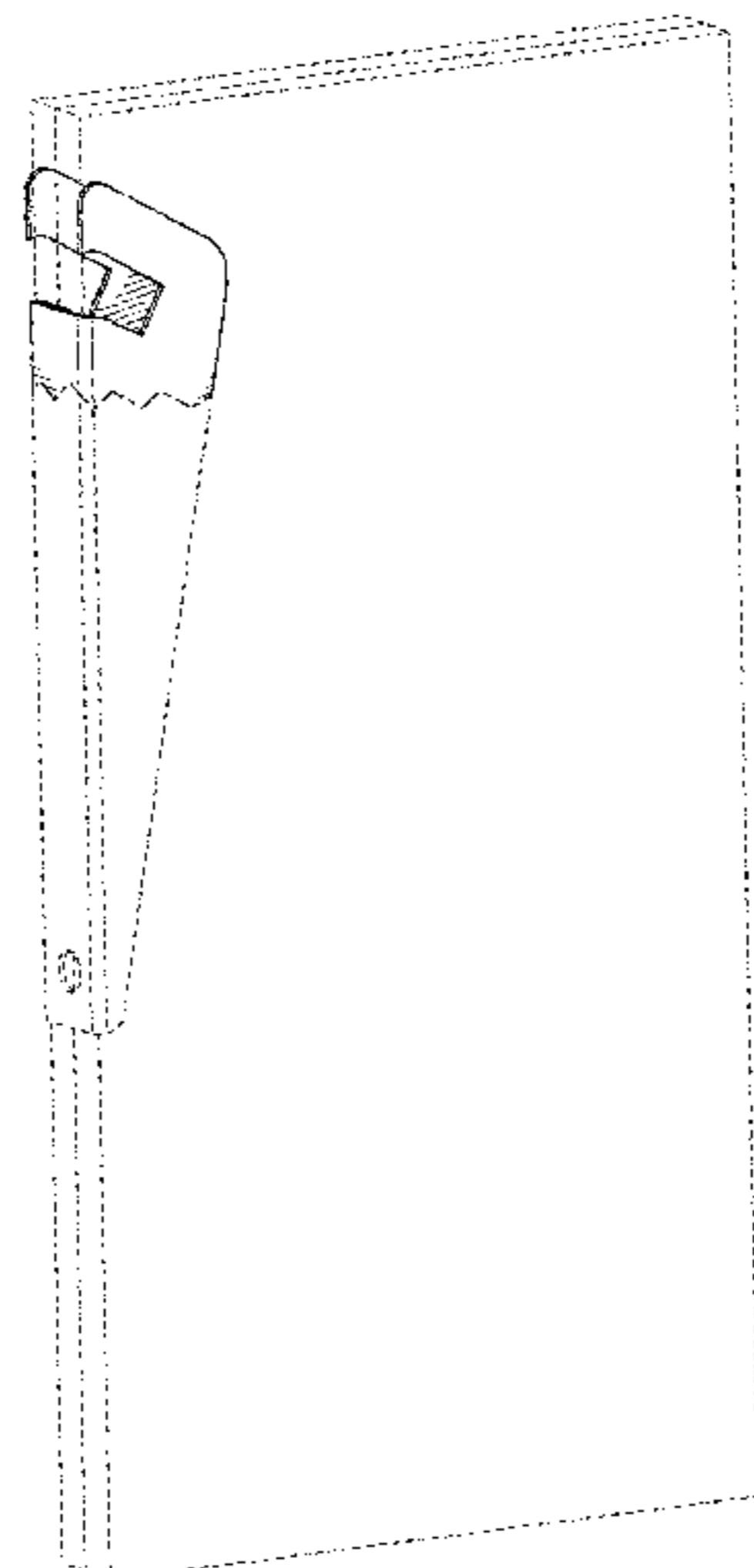
(56) **References Cited**

U.S. PATENT DOCUMENTS

2,122,275	A	6/1938	Bitney
2,746,378	A	5/1956	Lang
2,780,215	A	2/1957	Vacanti, Jr.
3,028,228	A	4/1962	Chaplin
3,064,637	A	11/1962	Thomson
3,279,900	A	10/1966	Naples
3,306,281	A	2/1967	Hoebel
3,353,527	A	11/1967	Anderson
3,448,735	A	6/1969	Palmer
3,828,759	A	8/1974	Cooper

(Continued)

**1 Claim, 8 Drawing Sheets**



(56)

References Cited

U.S. PATENT DOCUMENTS

4,530,343 A 7/1985 Beck  
 4,621,608 A 11/1986 Lee  
 D296,411 S \* 6/1988 Madsen ..... D8/18  
 D368,167 S \* 3/1996 Zeri ..... D6/317  
 5,638,743 A 6/1997 Lo  
 D380,920 S \* 7/1997 Uffner ..... D6/552  
 5,785,045 A 7/1998 Chen  
 D405,668 S \* 2/1999 Henke ..... D8/34  
 6,131,560 A 10/2000 Healy  
 6,328,028 B1 12/2001 Cayse et al.  
 D555,460 S \* 11/2007 Bimson ..... D8/367  
 D583,613 S 12/2008 Proffitt et al.  
 D657,988 S 4/2012 Chung  
 D696,104 S \* 12/2013 Kampl ..... D8/394  
 D747,910 S 1/2016 Costa et al.  
 9,370,276 B2 6/2016 Witzel et al.  
 D790,408 S \* 6/2017 Wymore ..... D12/162  
 9,765,535 B2 \* 9/2017 Montgomery ..... B26B 11/006  
 D798,647 S 10/2017 Chung  
 D801,745 S 11/2017 Costa et al.  
 10,016,090 B2 7/2018 Brogger  
 D830,096 S 10/2018 Bucklew et al.

D831,471 S \* 10/2018 Kim ..... D8/367  
 D832,155 S \* 10/2018 Siegel ..... D12/162  
 D844,363 S 4/2019 Lira-Nunez et al.  
 D890,571 S 7/2020 Knox et al.  
 2004/0112364 A1 6/2004 Johnson et al.  
 2008/0159665 A1 7/2008 Callies  
 2008/0230045 A1 9/2008 Bruno  
 2017/0340167 A1 11/2017 Chung  
 2018/0140133 A1 5/2018 Brogger et al.  
 2019/0239688 A1 8/2019 Brogger

FOREIGN PATENT DOCUMENTS

WO 2016173597 11/2016  
 WO 2018041312 3/2018

OTHER PUBLICATIONS

U.S. Appl. No. 29/671,914, Ex Parte Quayle Action mailed on Feb. 20, 2020, 5 pages.  
 U.S. Appl. No. 29/671,914, Notice of Allowance dated Apr. 17, 2020, 5 pages.

\* cited by examiner

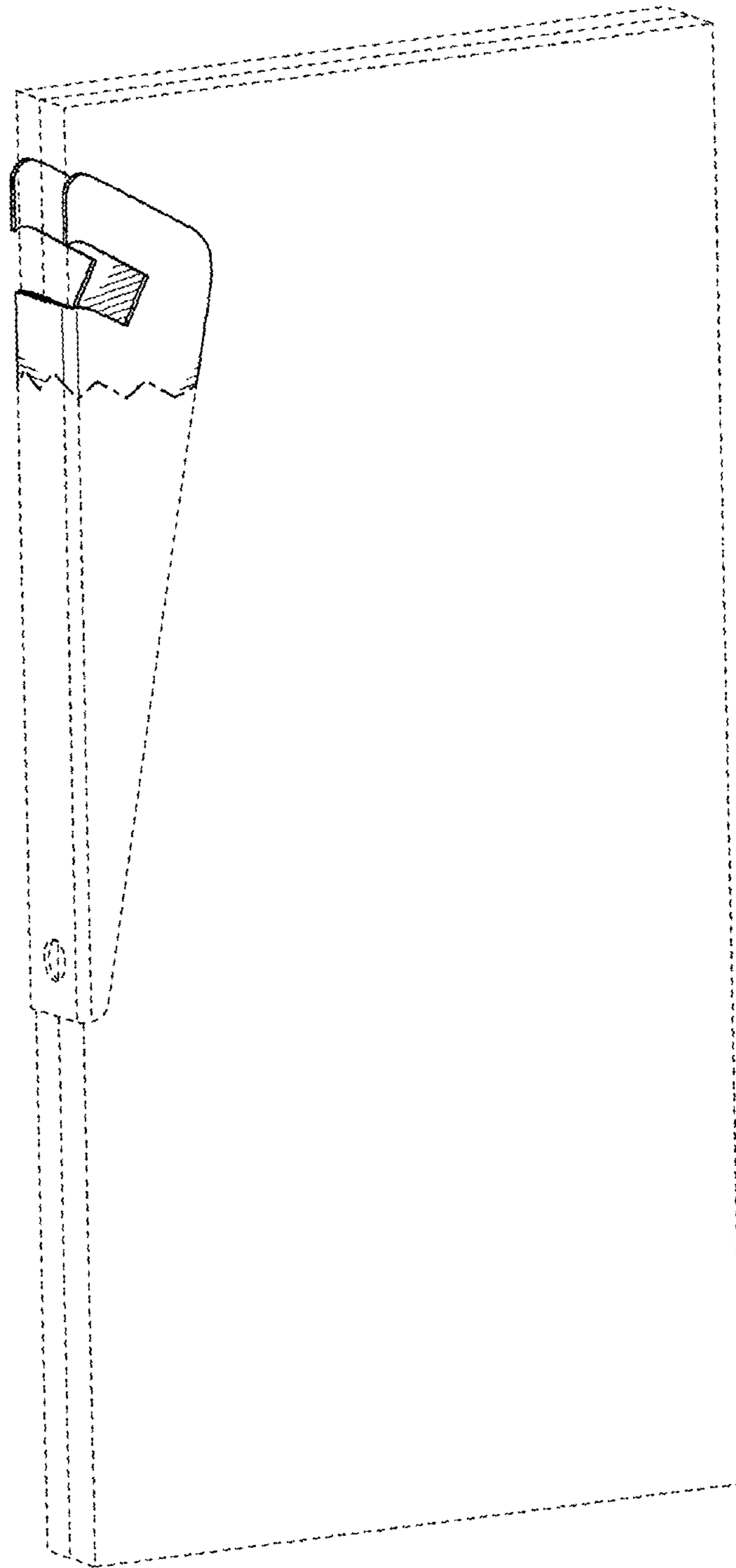


FIG. 1

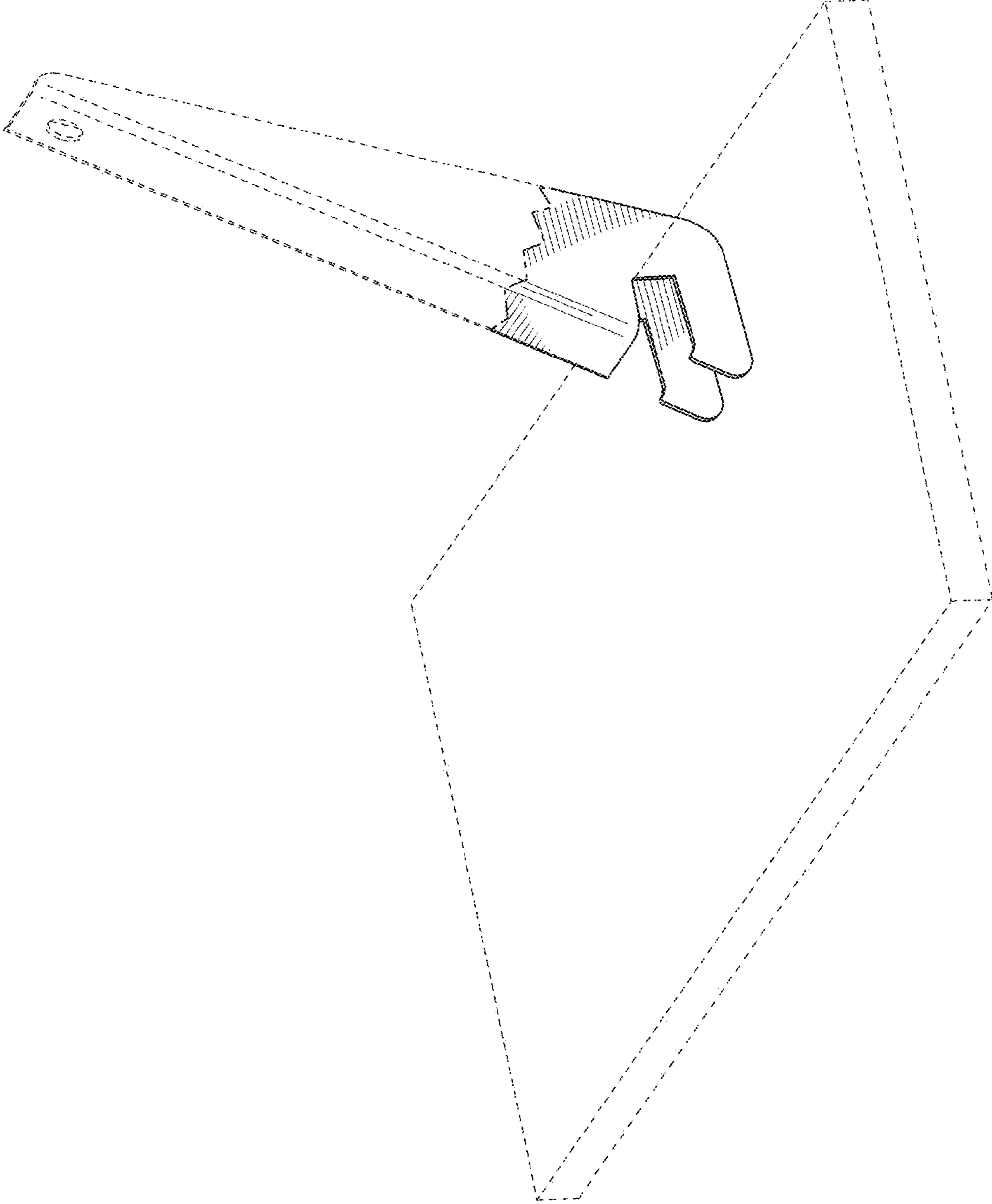


FIG. 2

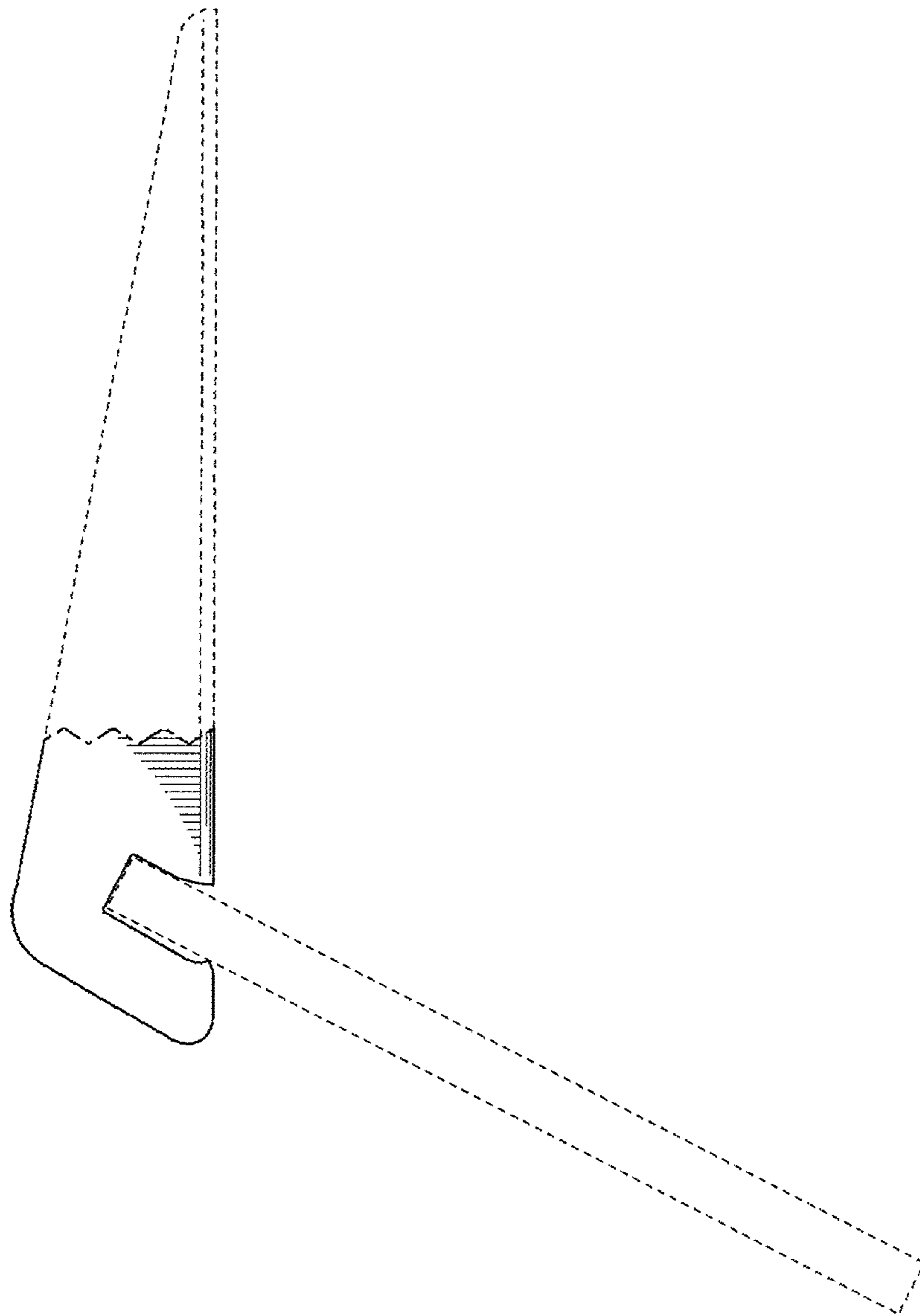


FIG. 3

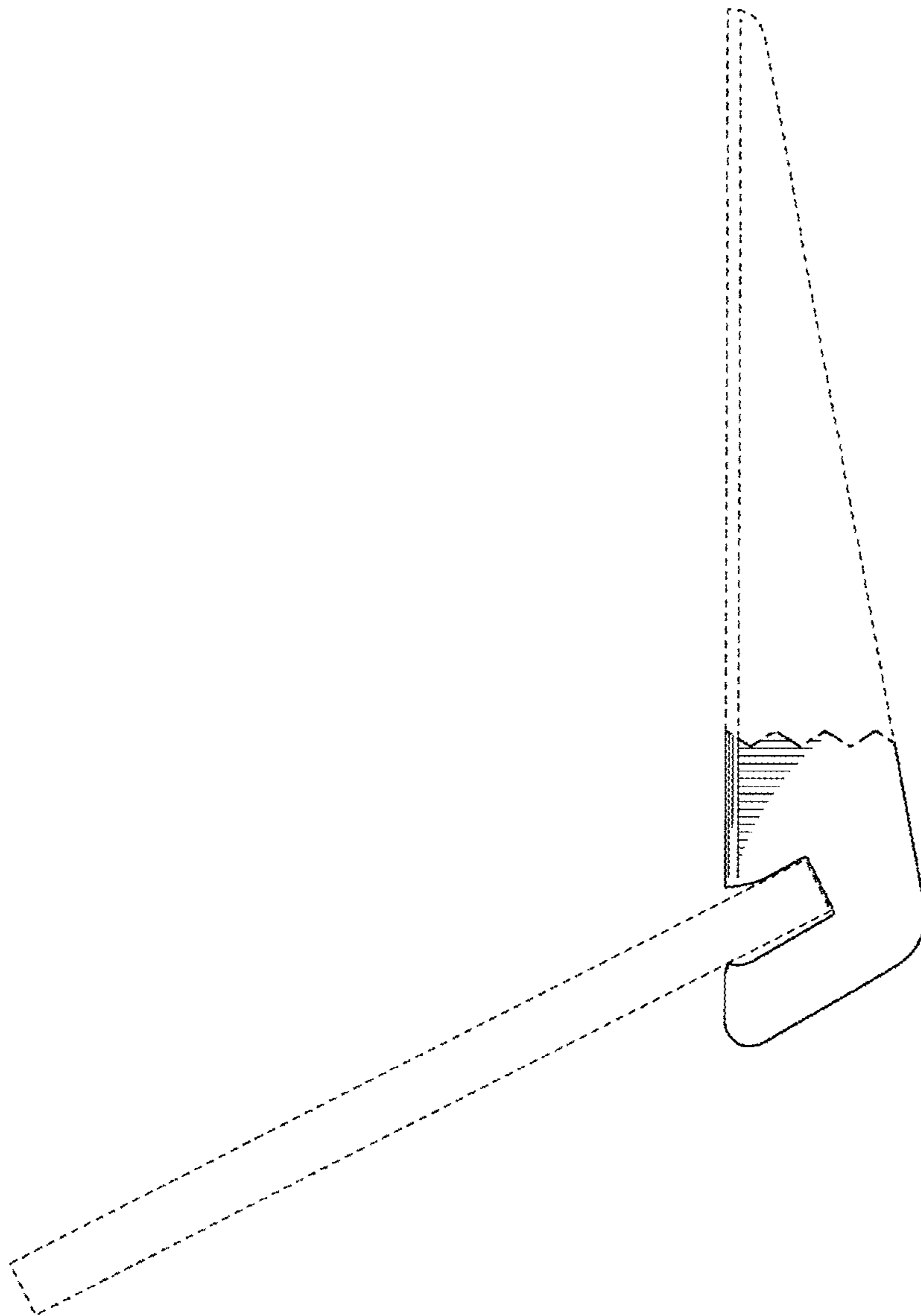


FIG. 4

FIG. 5

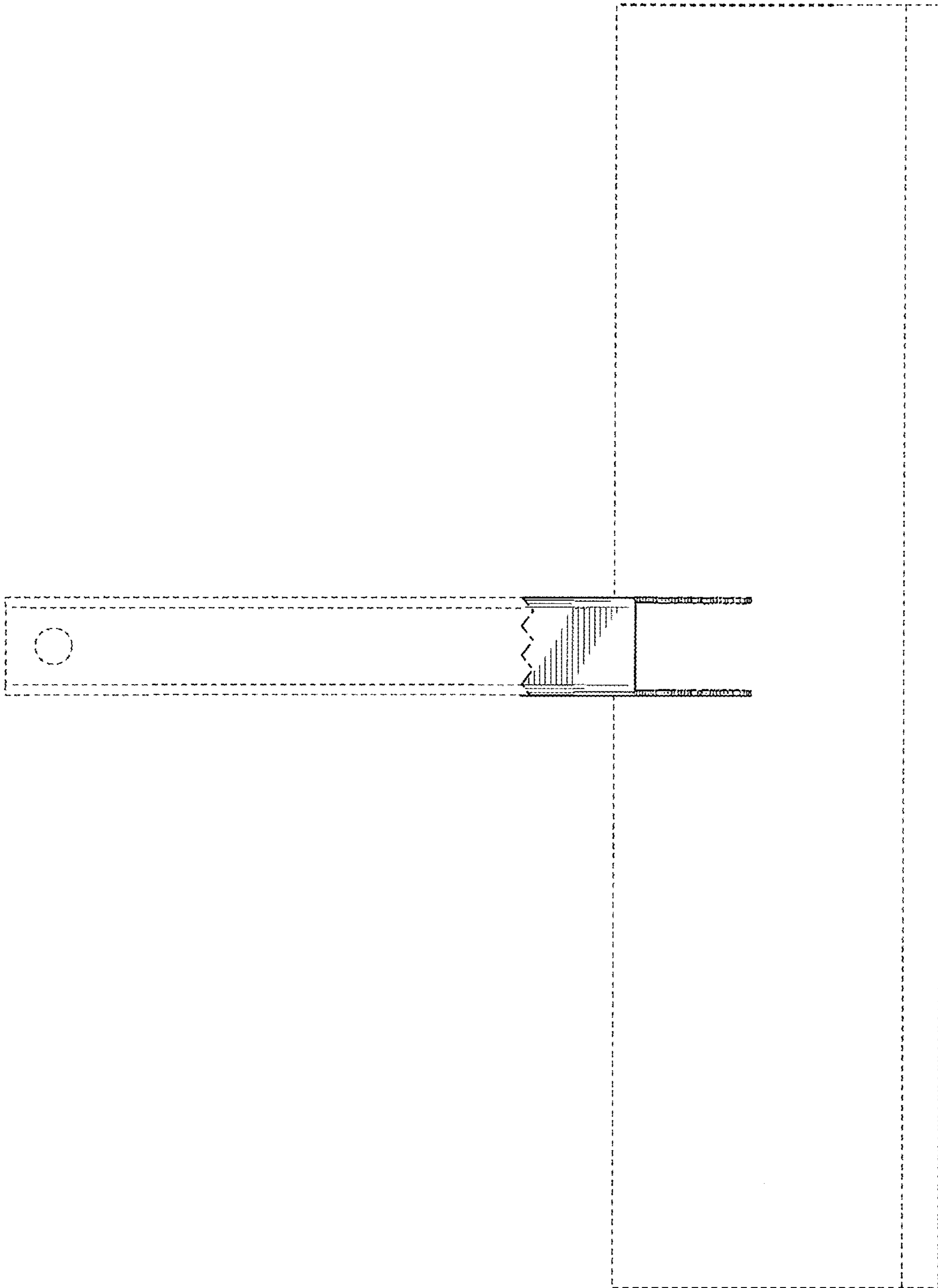
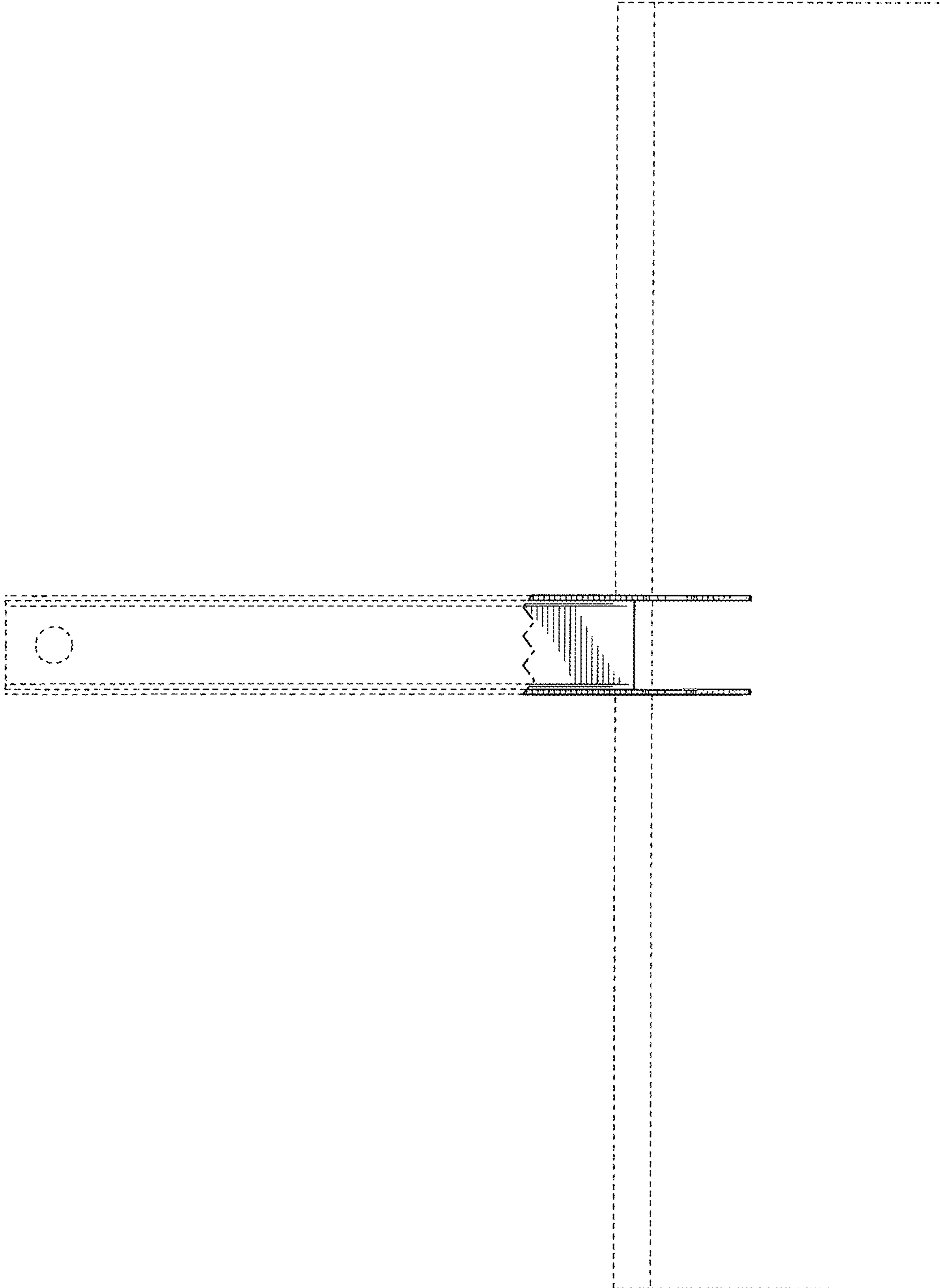


FIG. 6





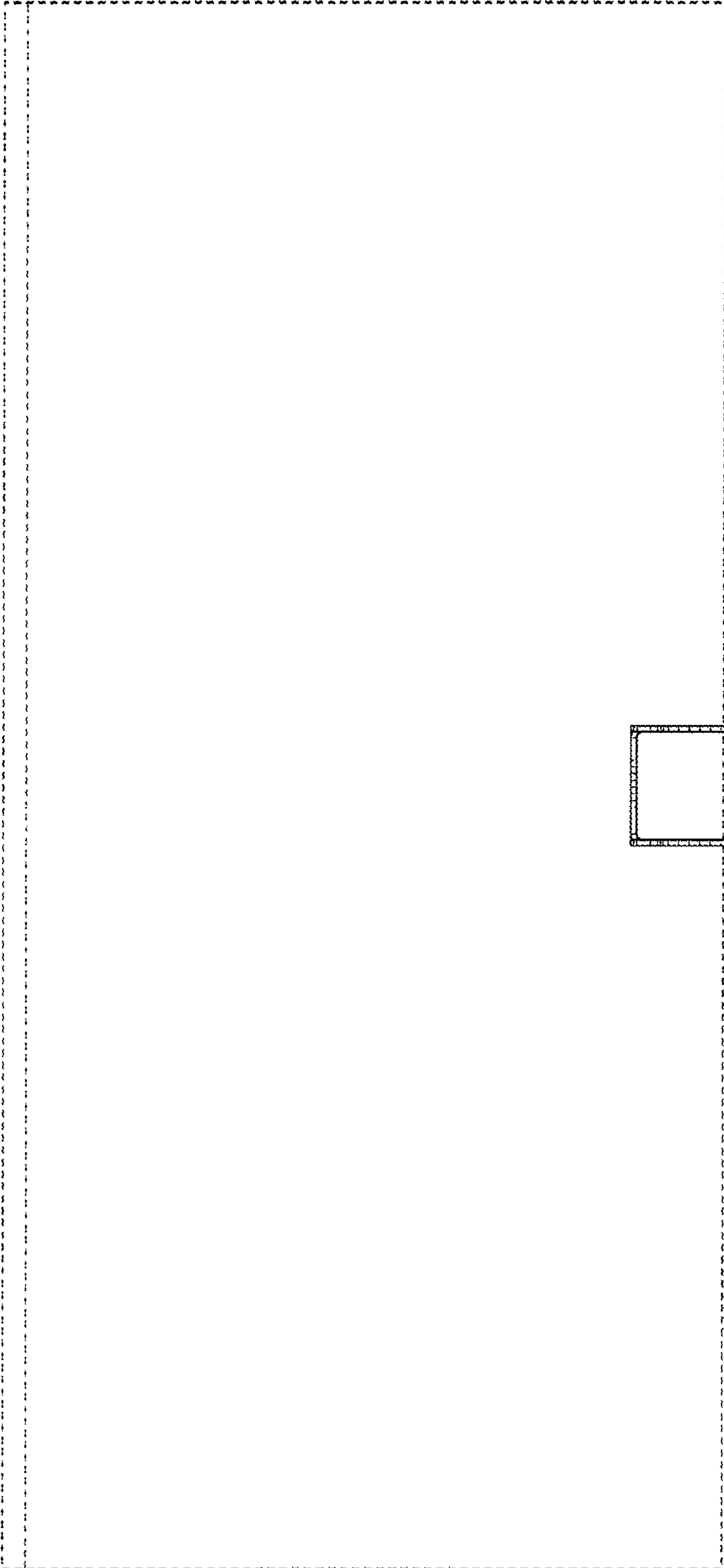


FIG. 7

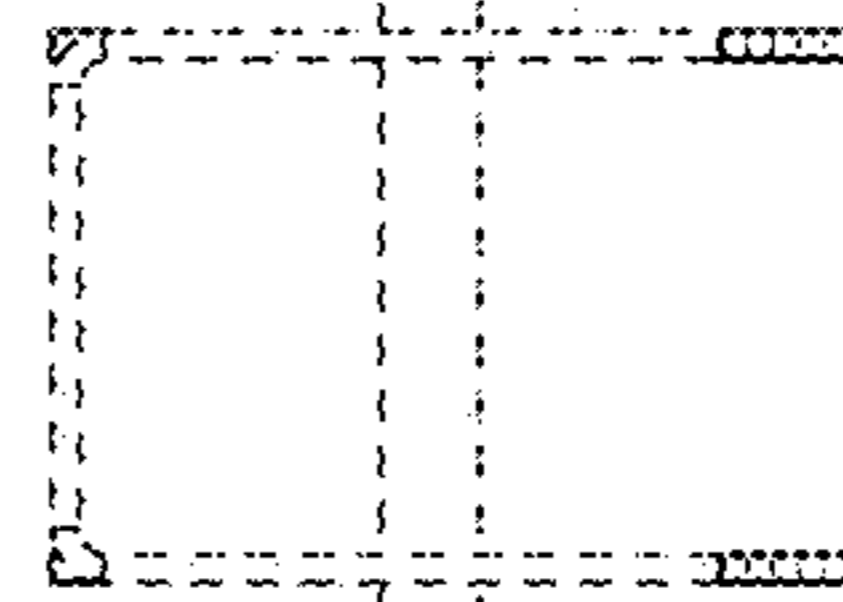
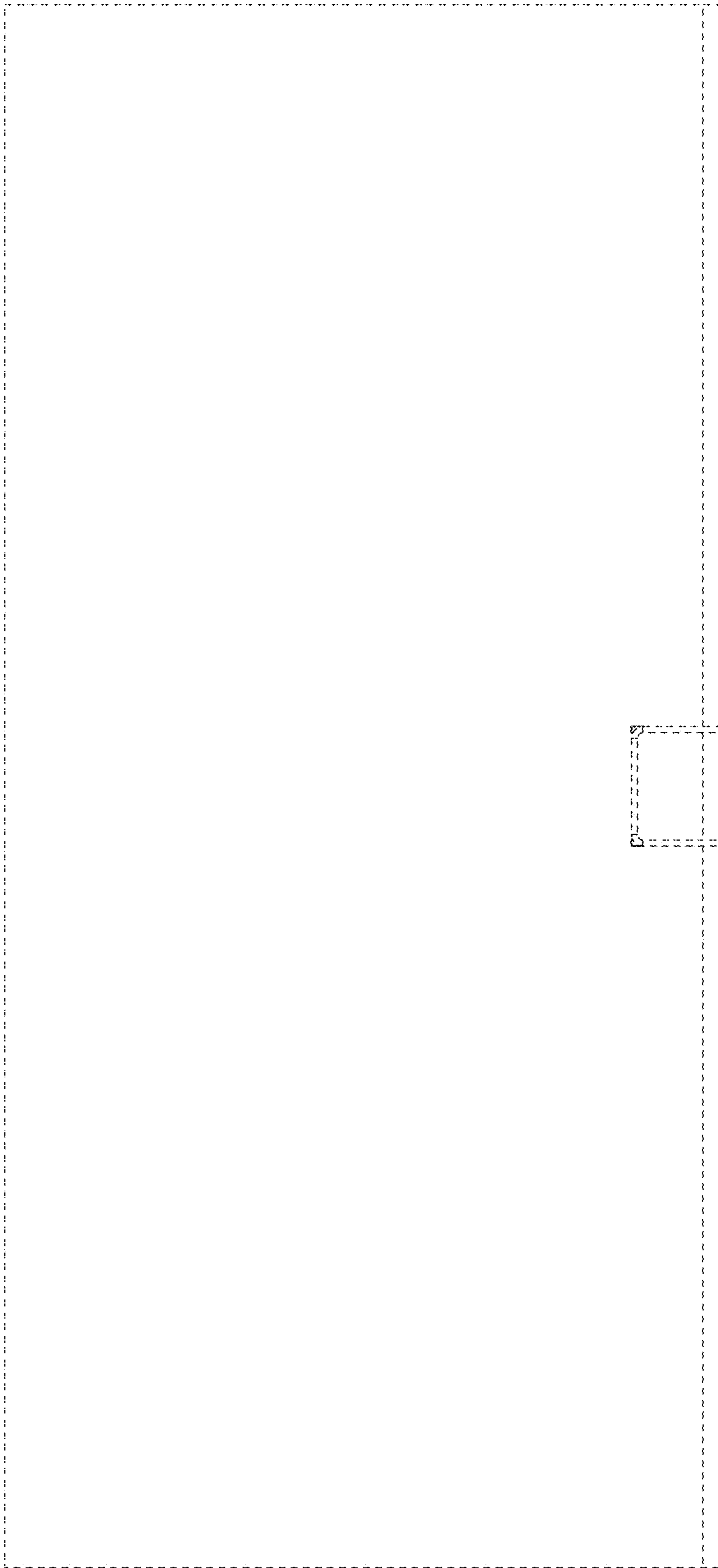


FIG. 8