



US00D948937S

(12) **United States Design Patent** (10) **Patent No.:** **US D948,937 S**
Bertash et al. (45) **Date of Patent:** **** Apr. 19, 2022**

(54) **BEVERAGE CARTRIDGE**

(71) Applicant: **CUPPER LLC**, Bradenton, FL (US)

(72) Inventors: **Michael Bertash**, Bradenton, FL (US);
Morgan Bertash, Bradenton, FL (US)

(73) Assignee: **CUPPER LLC**, Bradenton, FL (US)

(**) Term: **15 Years**

(21) Appl. No.: **29/766,722**

(22) Filed: **Jan. 18, 2021**

(51) **LOC (13) Cl.** **07-99**

(52) **U.S. Cl.**
USPC **D7/400**

(58) **Field of Classification Search**
USPC D7/300, 302, 303, 305, 397, 399,
D7/316-319, 321, 400, 401, 600, 602,
D7/619.1, 667; D9/516, 523, 524, 527,
D9/528; D23/209, 212, 365
CPC A47J 27/21058; A47J 31/40; A47J 31/41;
A47J 31/44; A47J 47/00; A47G 19/12;
A47G 19/14; A47G 19/145; B01D 35/02;
B65B 39/00; B65D 47/06
See application file for complete search history.

(56) **References Cited**

U.S. PATENT DOCUMENTS

2,860,817 A	11/1958	George
3,092,944 A	6/1963	Wise
4,194,341 A	3/1980	Kihnke
4,397,133 A	8/1983	Hume
4,989,753 A	2/1991	Brojna et al.

(Continued)

FOREIGN PATENT DOCUMENTS

WO WO 2015/056240 4/2015

OTHER PUBLICATIONS

PCT/US2016/063702, International Search Report and Written Opinion dated Feb. 24, 2017, 13 pages—English.

Primary Examiner — Andrew Kerr

(74) *Attorney, Agent, or Firm* — Andrew F. Young, Esq.;
Nolte Lackenbach Siegel

(57) **CLAIM**

The ornamental design for a beverage cartridge, as shown and described.

DESCRIPTION

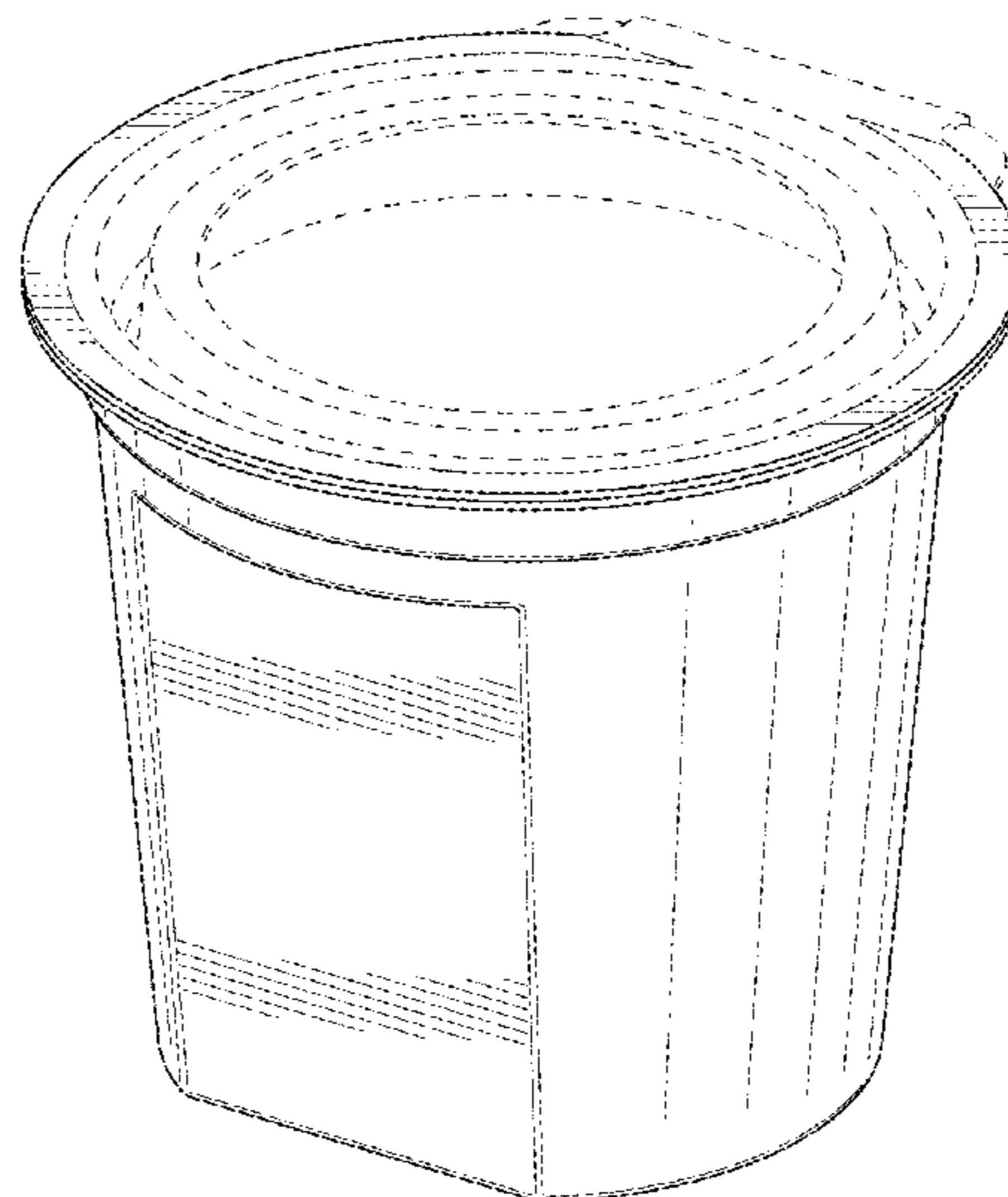
FIG. 1 is a front, top, perspective view of a beverage cartridge showing our new design in a closed condition. FIG. 2 is a rear, bottom, perspective view of FIG. 1; FIG. 3 is a front elevation view of FIG. 1; FIG. 4 is a rear elevation of FIG. 1; FIG. 5 is a left side elevation view of FIG. 1; FIG. 6 is a right side elevation view of FIG. 1; FIG. 7 is a top plan view of FIG. 1; FIG. 8 is a bottom plan view of FIG. 1; FIG. 9 is an enlarged view of region 9 in FIG. 3; FIG. 10 is a front, top, perspective view of a beverage cartridge showing our new design in an open condition; FIG. 11 is a rear, bottom, perspective view of FIG. 10; FIG. 12 is a front elevation view of FIG. 10; FIG. 13 is a rear elevation of FIG. 10; FIG. 14 is a left side elevation view of FIG. 10; FIG. 15 is a right side elevation view of FIG. 10; FIG. 16 is a top plan view of FIG. 10; FIG. 17 is a bottom plan view of FIG. 10; FIG. 18 is an enlarged view of region 18 in FIG. 11; and, FIG. 19 is an enlarged view of region 19 in FIG. 10.

The dash-dash broken lines in the drawings depict portions of the beverage cartridge that form no part of the claimed design.

The dash-dot-dot broken lines framing portions of the claimed design that are illustrated for enlargements form no part of the claimed design.

The dash-dot broken lines in the figure drawings define the bounds of the claimed design and form no part thereof.

1 Claim, 19 Drawing Sheets



(56)

References Cited

U.S. PATENT DOCUMENTS

5,001,889 A 3/1991 Mueller
 6,053,359 A 4/2000 Goulet et al.
 6,688,460 B2 2/2004 Kim
 D567,021 S * 4/2008 Bach D7/387
 D606,363 S 12/2009 Aardenburg
 D653,905 S 2/2012 Bodum
 D658,493 S * 5/2012 Cometto D9/503
 D677,120 S * 3/2013 DeMiglio A47J 31/0689
 D7/400
 D679,132 S 4/2013 Winberry et al.
 8,584,901 B2 11/2013 Dooley et al.
 D695,111 S * 12/2013 Hansen B65D 85/8043
 D9/429
 D697,794 S * 1/2014 De Pra D9/425
 8,635,173 B2 1/2014 Bartholomew et al.
 D703,039 S * 4/2014 Hansen D9/429
 D708,057 S * 7/2014 Hansen D9/429
 D732,390 S 6/2015 Trombetta
 9,169,112 B2 10/2015 Chase et al.

D747,187 S * 1/2016 Cochran D9/416
 9,376,304 B2 6/2016 Trulaske et al.
 D760,584 S * 7/2016 Katz D9/416
 9,414,710 B2 8/2016 De Graaff et al.
 D769,710 S * 10/2016 Raphaelson D9/428
 9,688,465 B2 6/2017 Trombetta et al.
 D796,898 S * 9/2017 Robotti D7/400
 D797,503 S * 9/2017 Robotti D7/400
 D842,032 S * 3/2019 Thomas D7/400
 D880,289 S * 4/2020 Valsecchi D9/416
 D889,907 S * 7/2020 Braukmann D7/400
 2008/0047972 A1 2/2008 Bartholomew et al.
 2013/0251861 A1 * 9/2013 Scapuccin B65D 85/8043
 426/115
 2014/0141128 A1 5/2014 Trombetta et al.
 2014/0352254 A1 12/2014 Rea
 2015/0158609 A1 6/2015 Villain et al.
 2016/0236842 A1 8/2016 Scrivani et al.
 2017/0096324 A1 4/2017 Dresser et al.
 2018/0093821 A1 * 4/2018 Cabilli B65D 65/466
 2019/0322438 A1 * 10/2019 Talon B65D 85/8043
 2019/0329969 A1 * 10/2019 Borse B65D 85/804

* cited by examiner

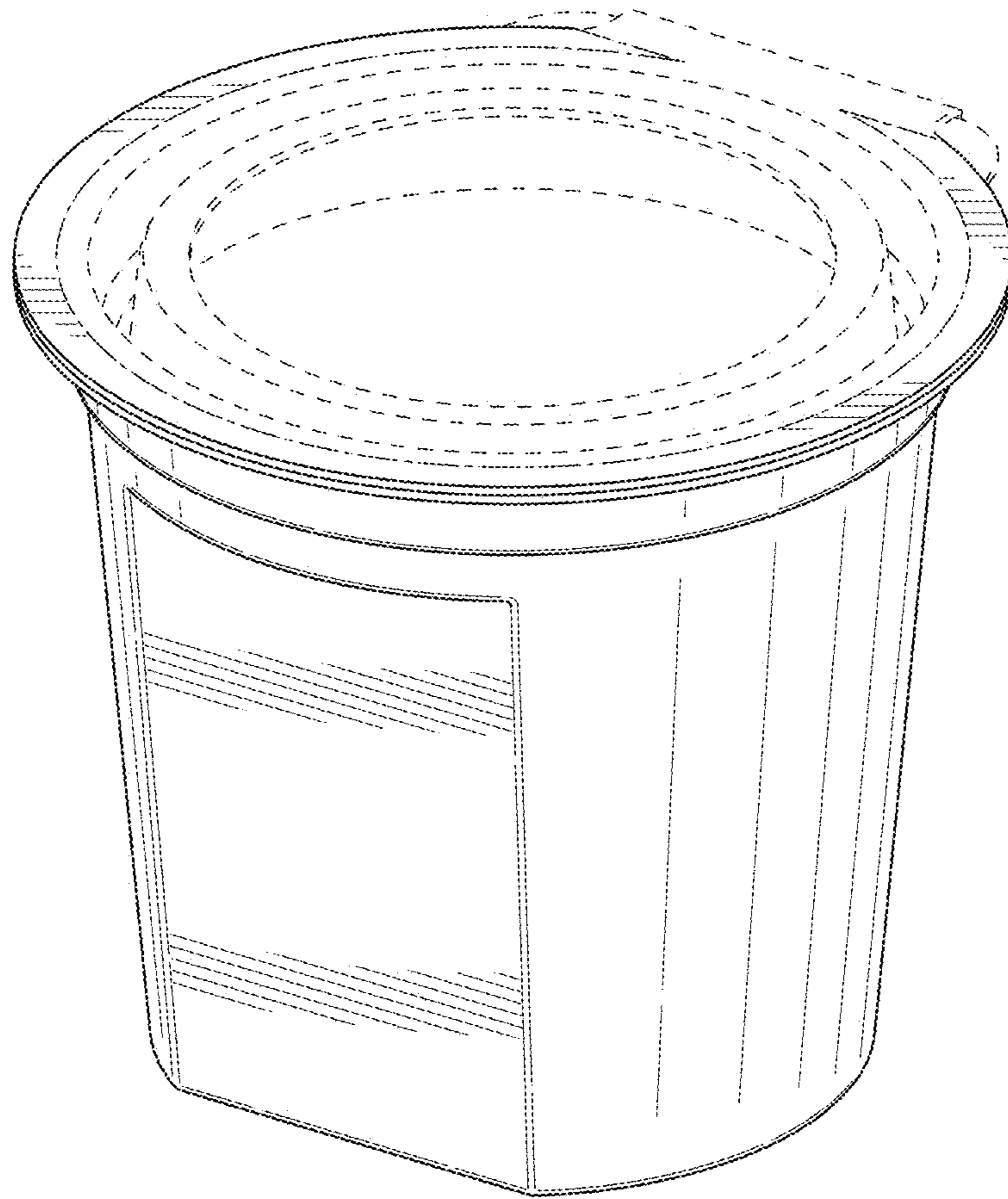


FIG. 1

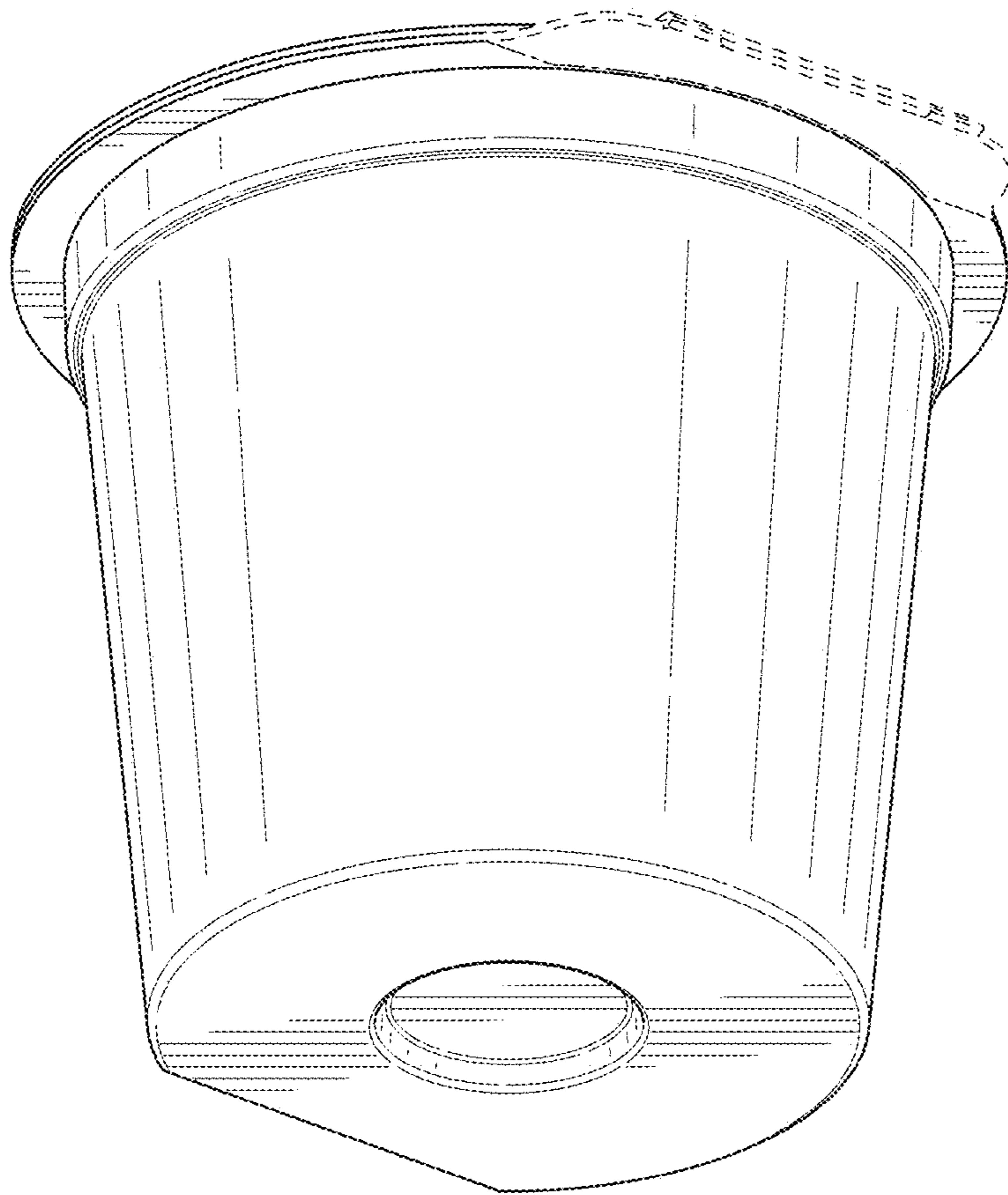


FIG. 2

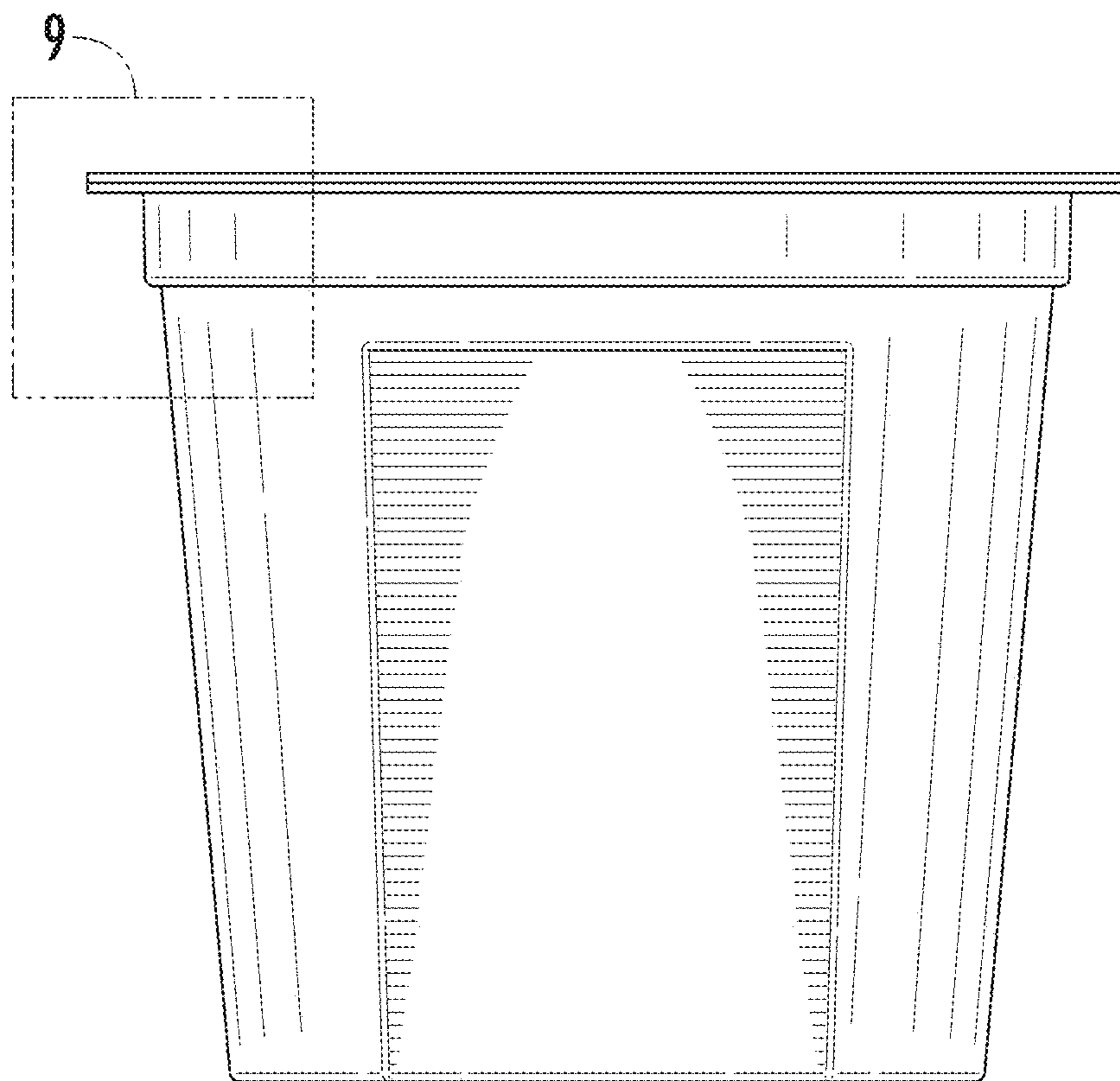


FIG. 3

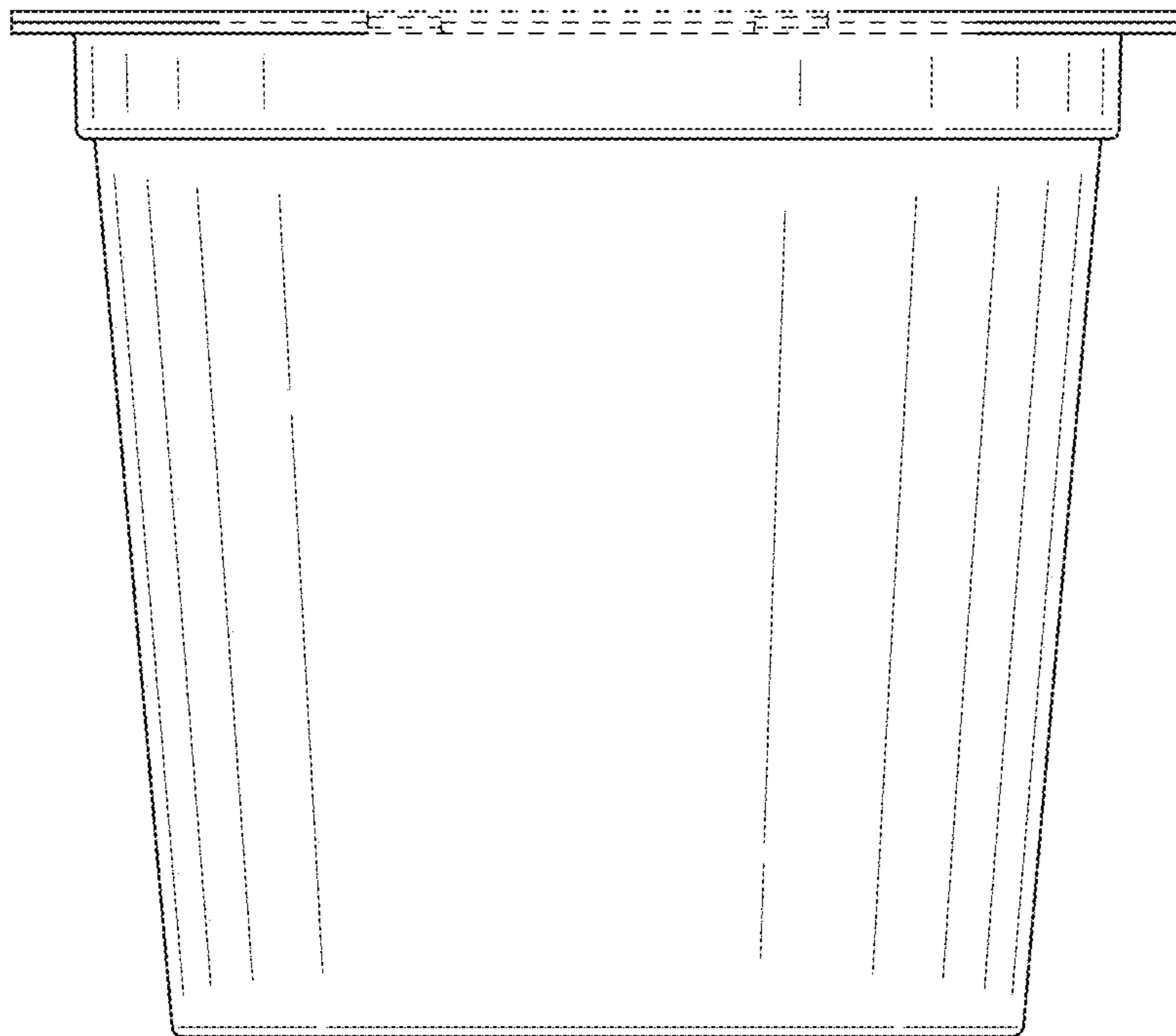


FIG. 4

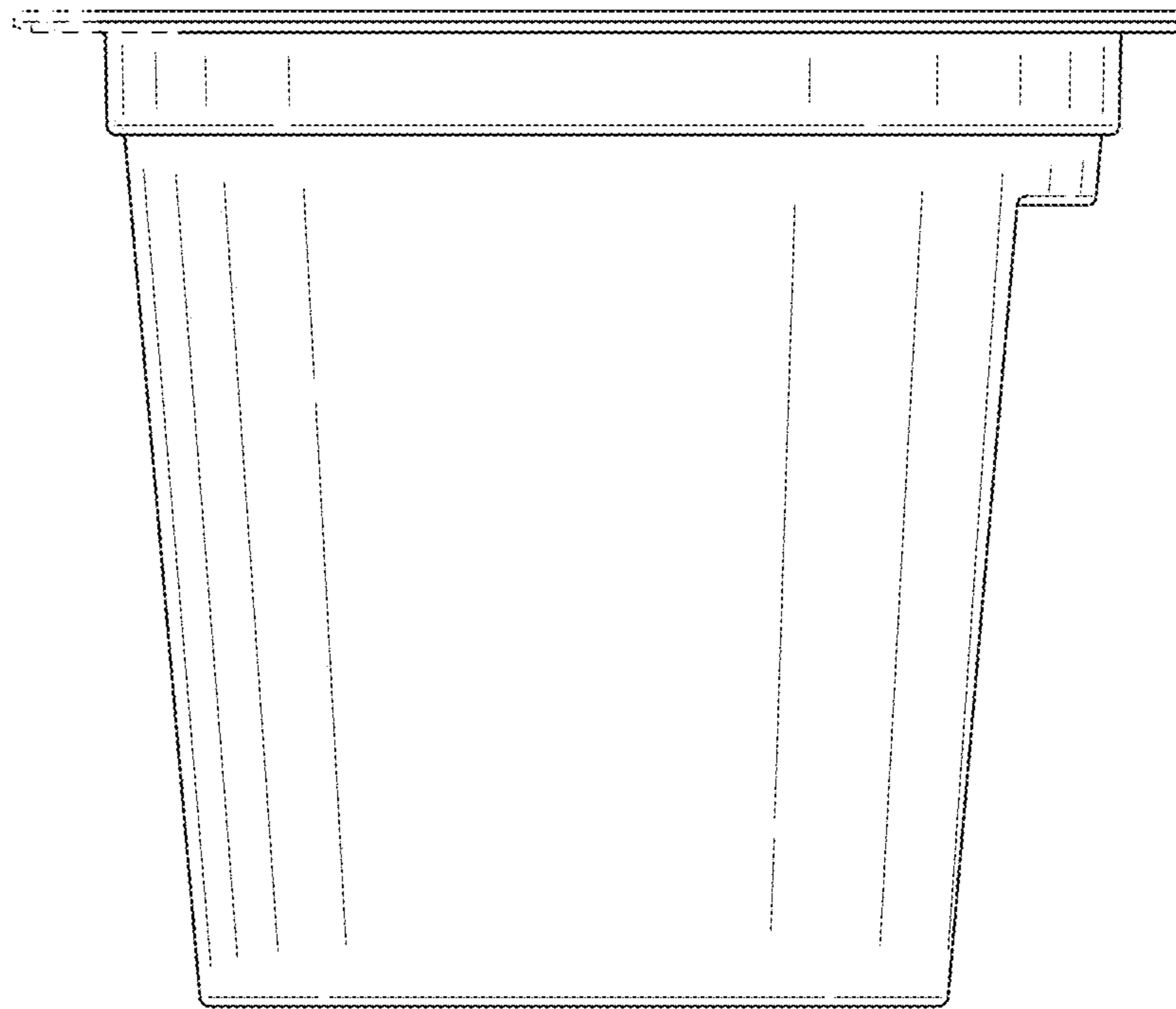


FIG. 5

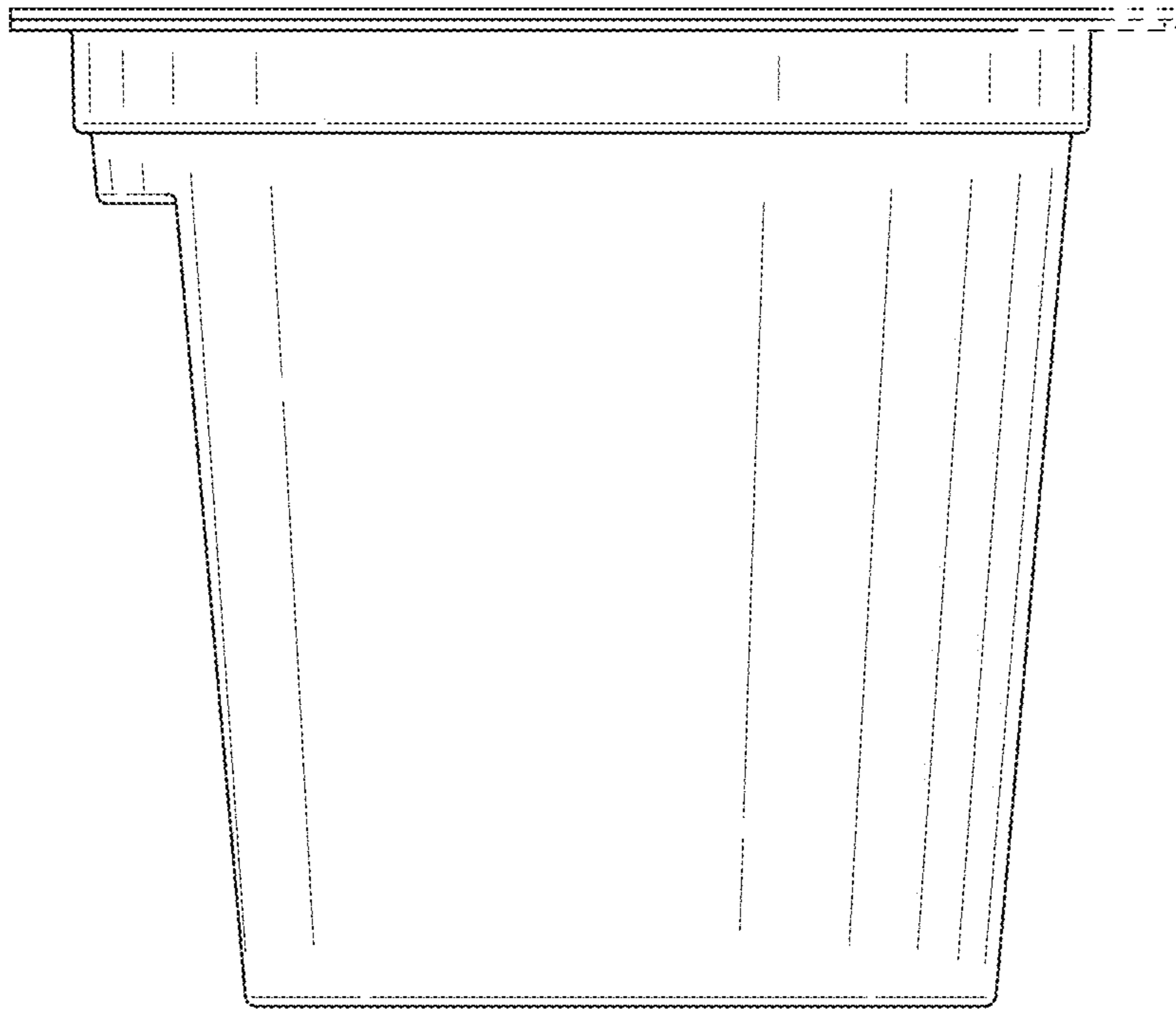


FIG. 6

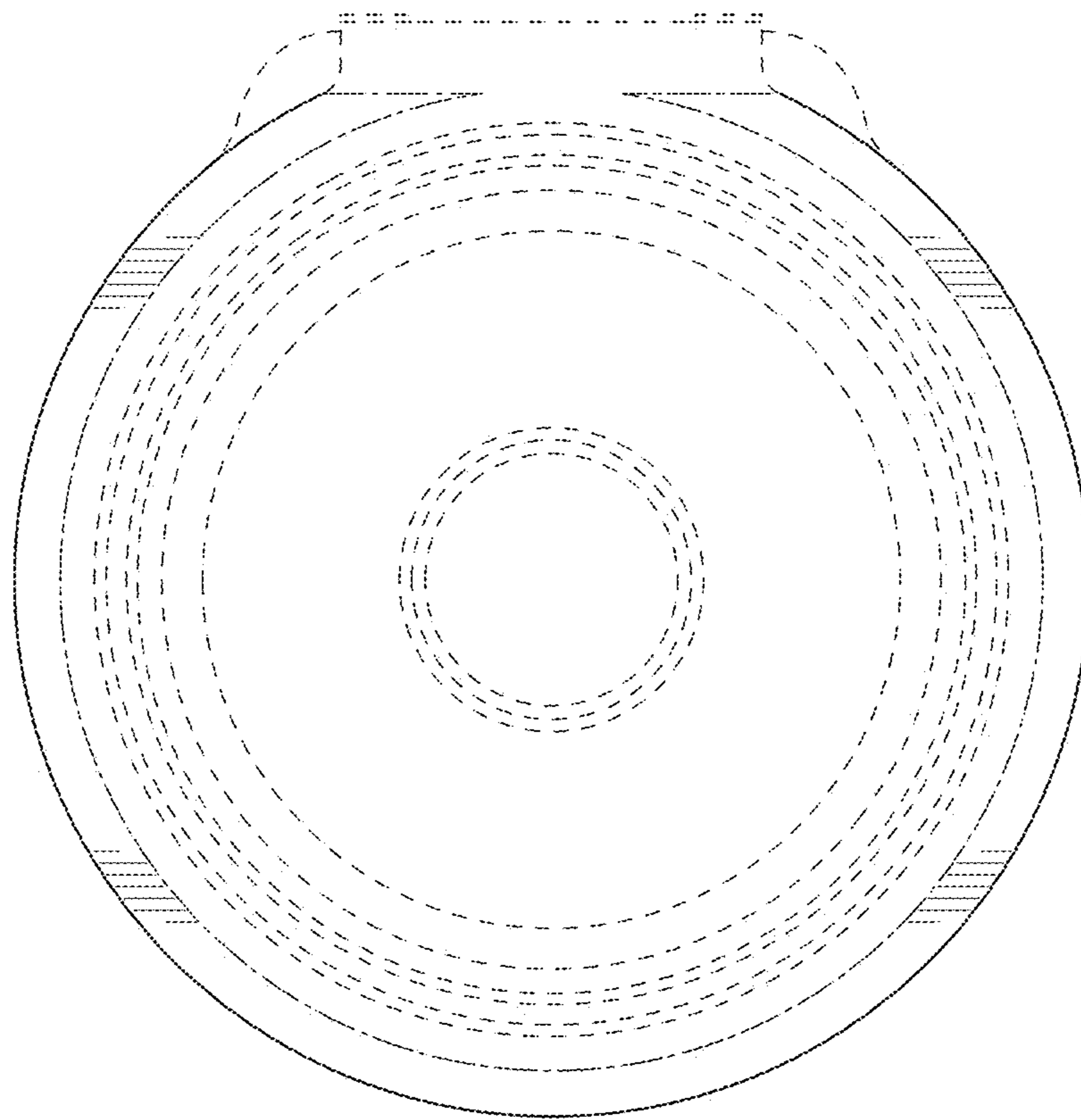


FIG. 7

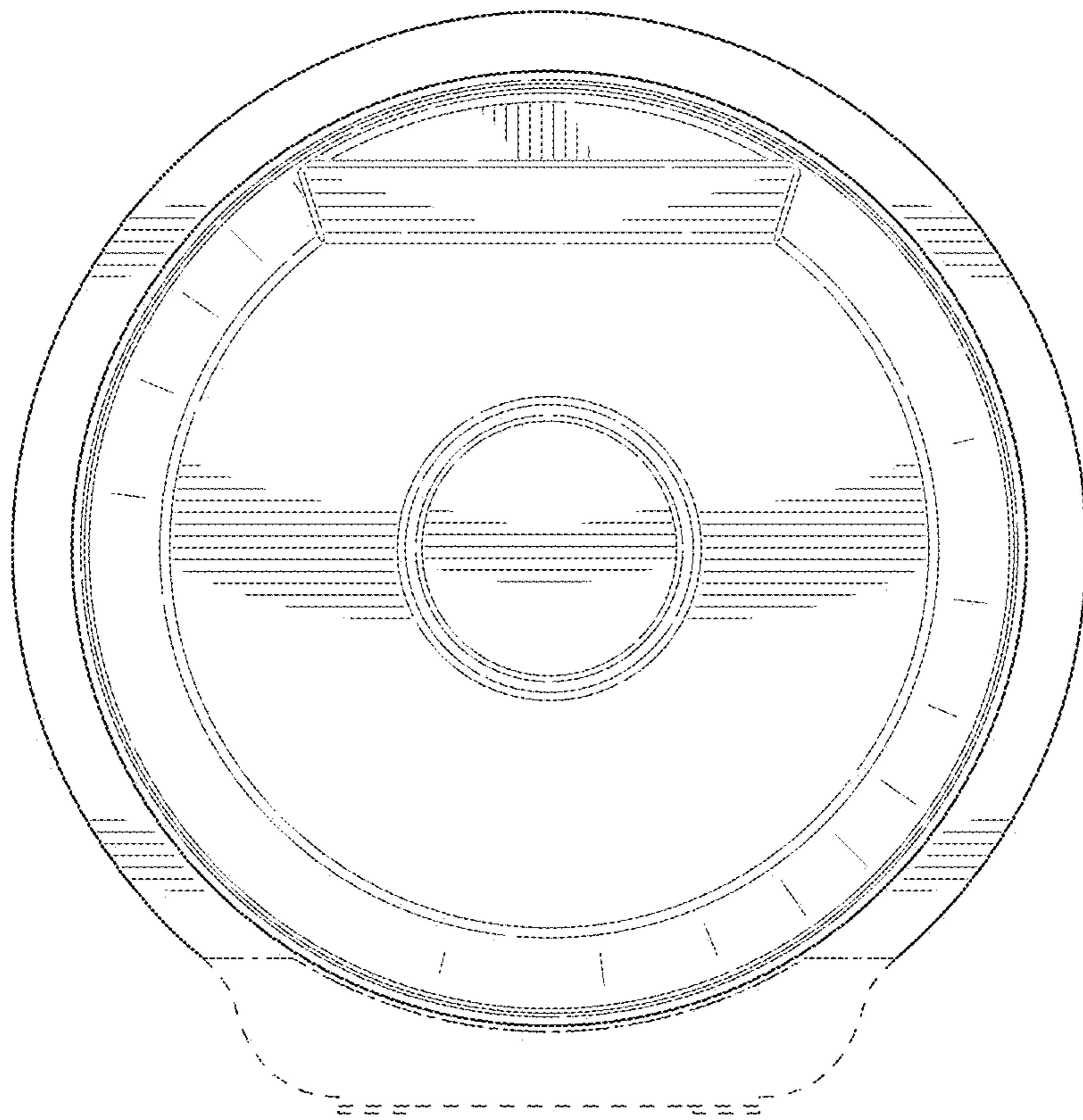


FIG. 8

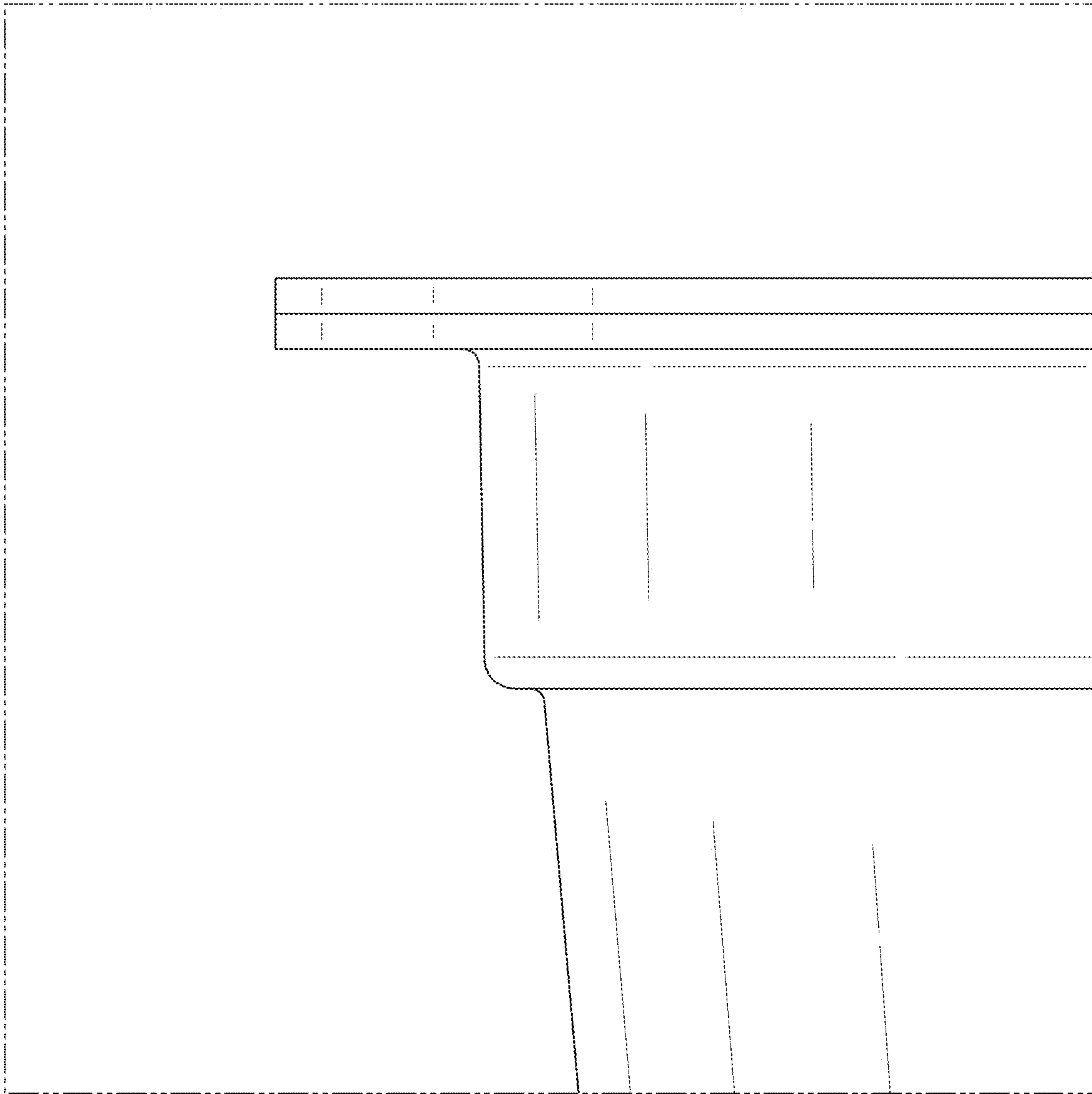


FIG. 9

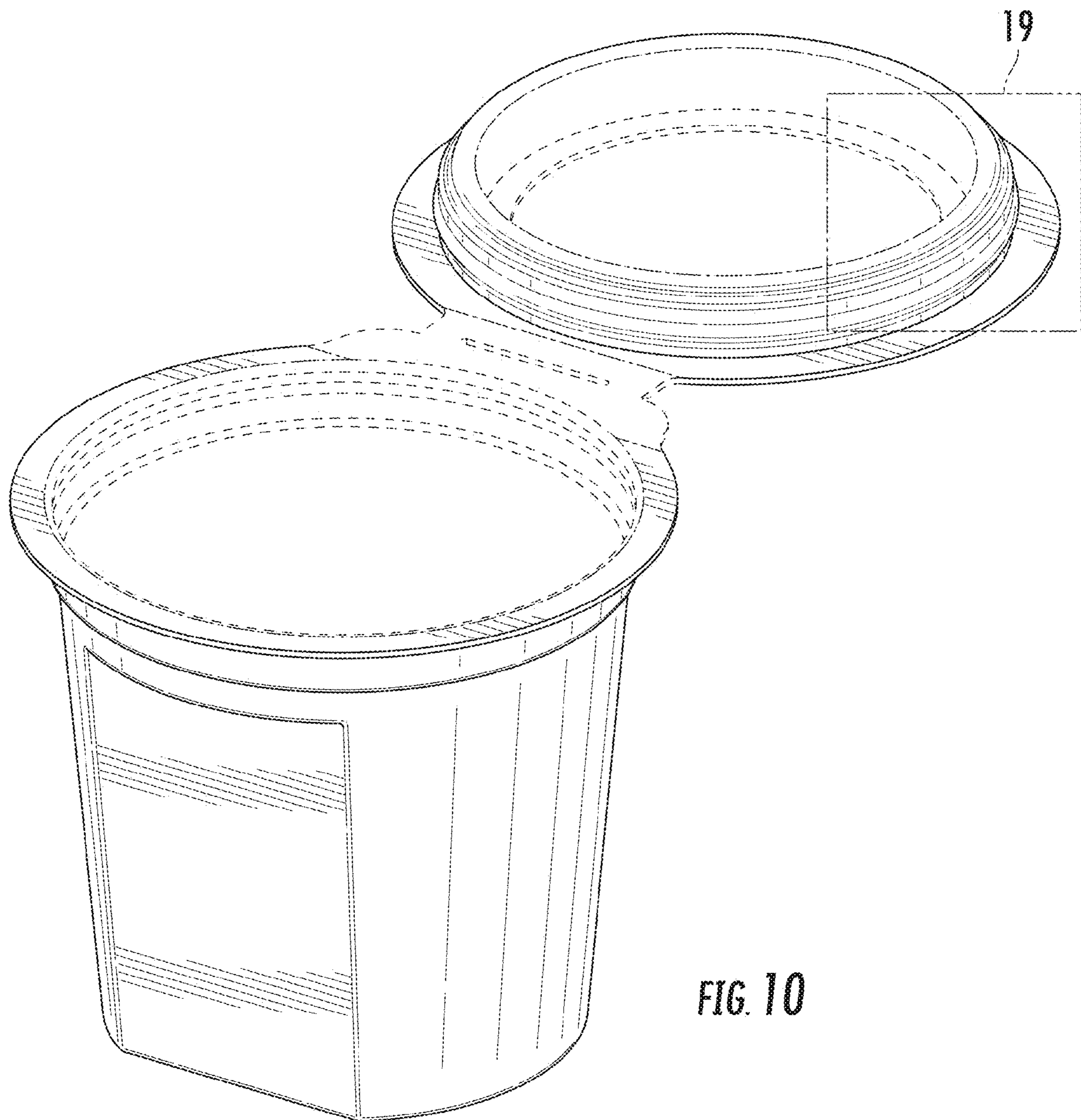
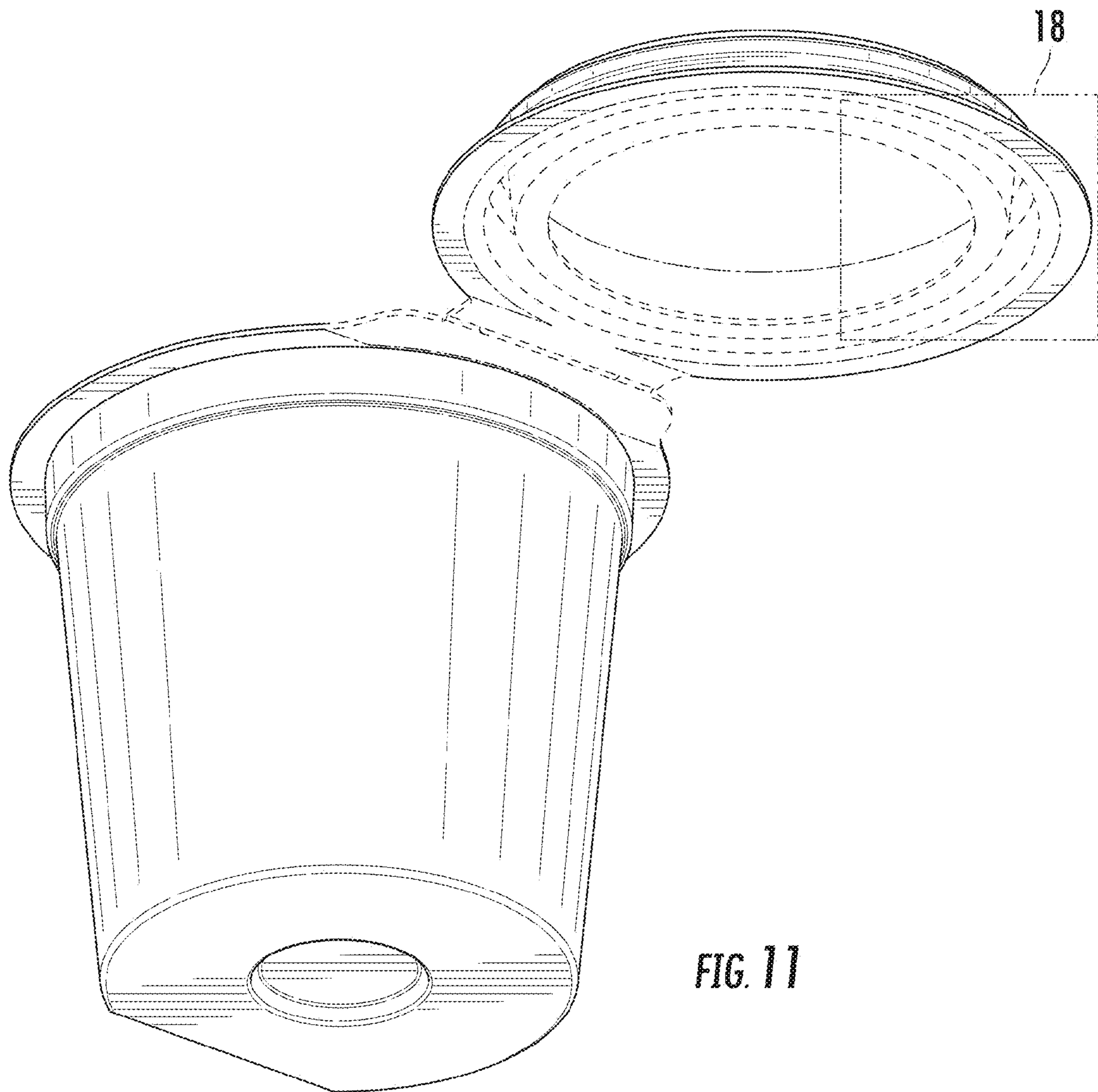


FIG. 10



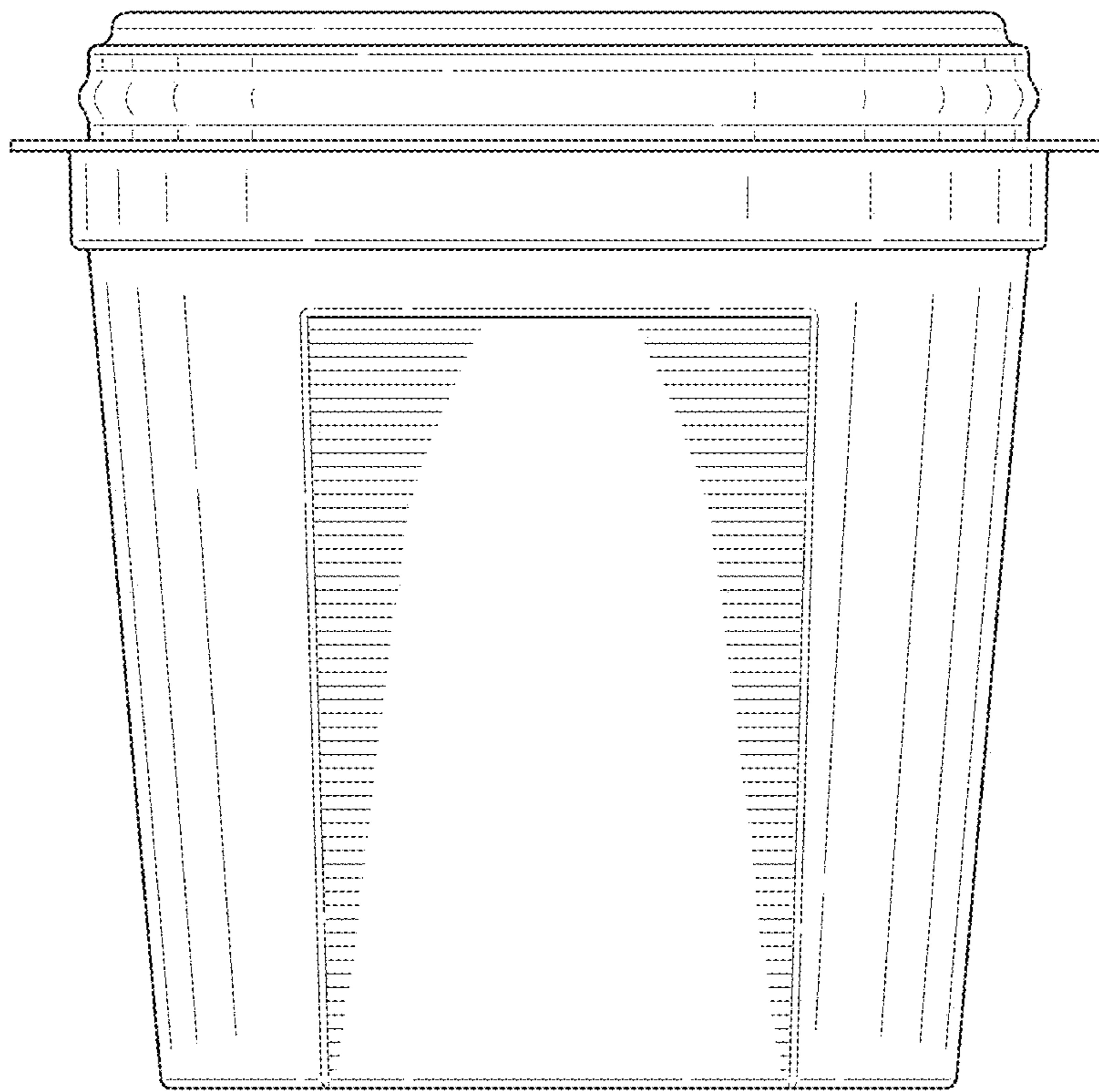


FIG. 12

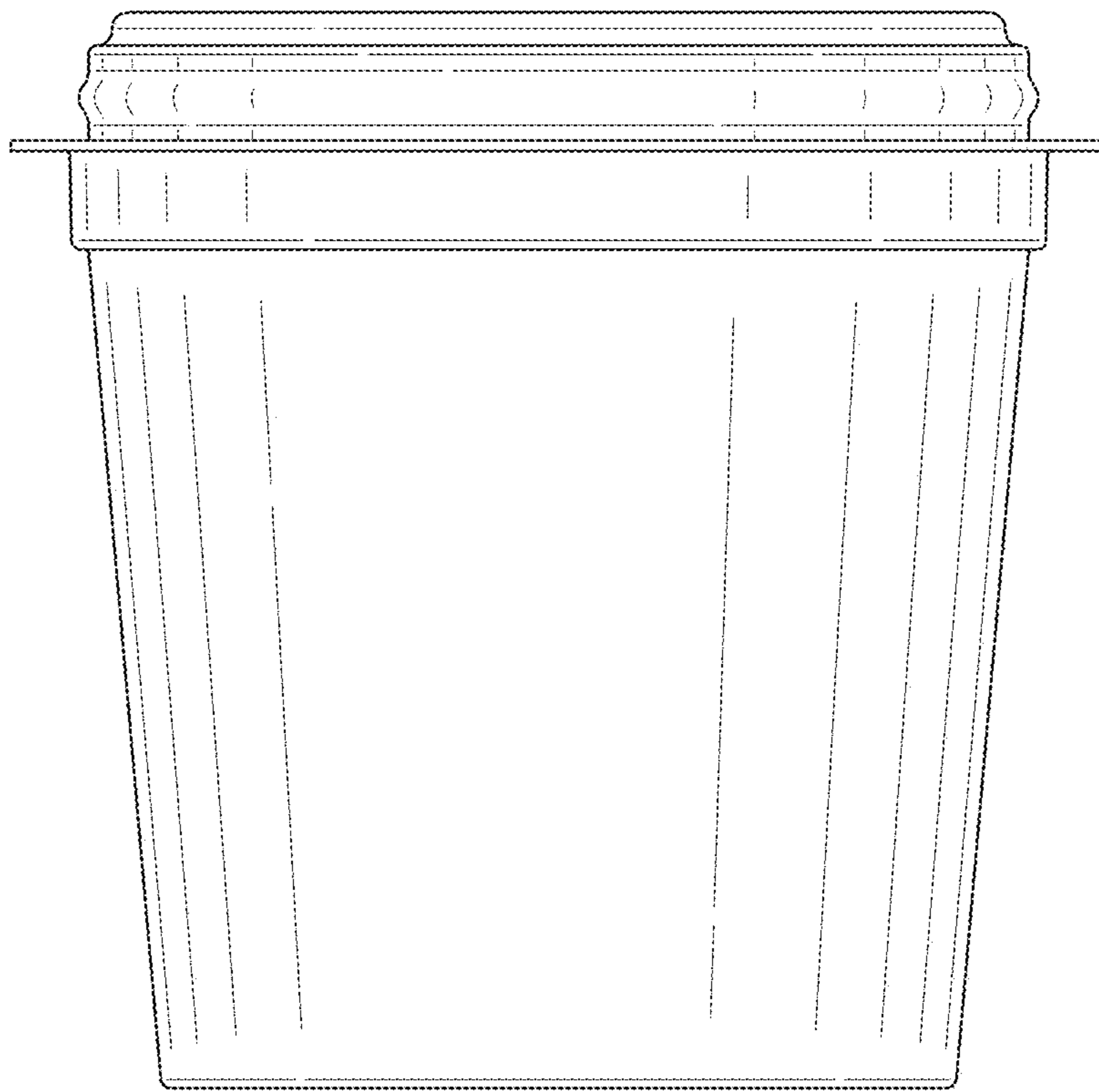


FIG. 13

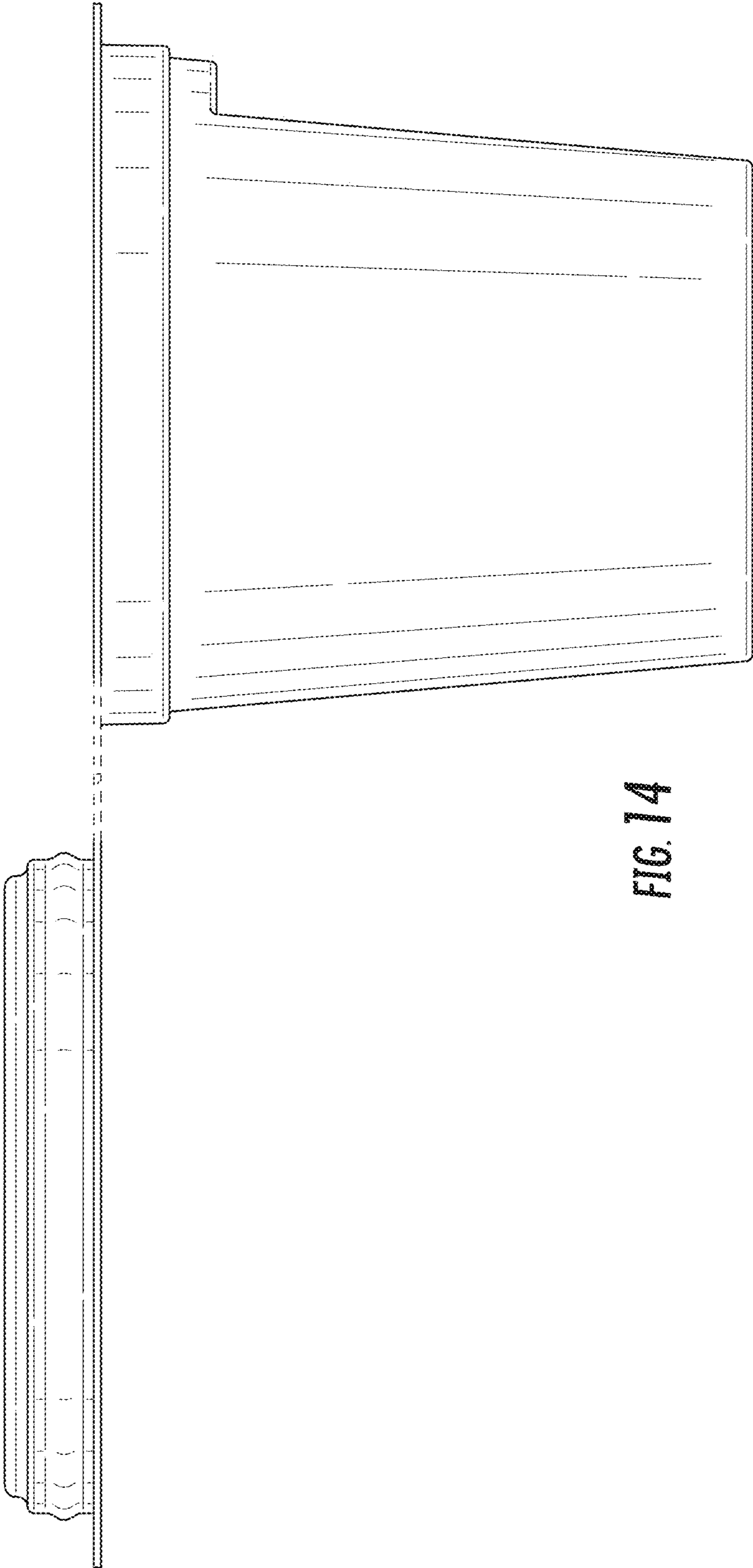


FIG. 14

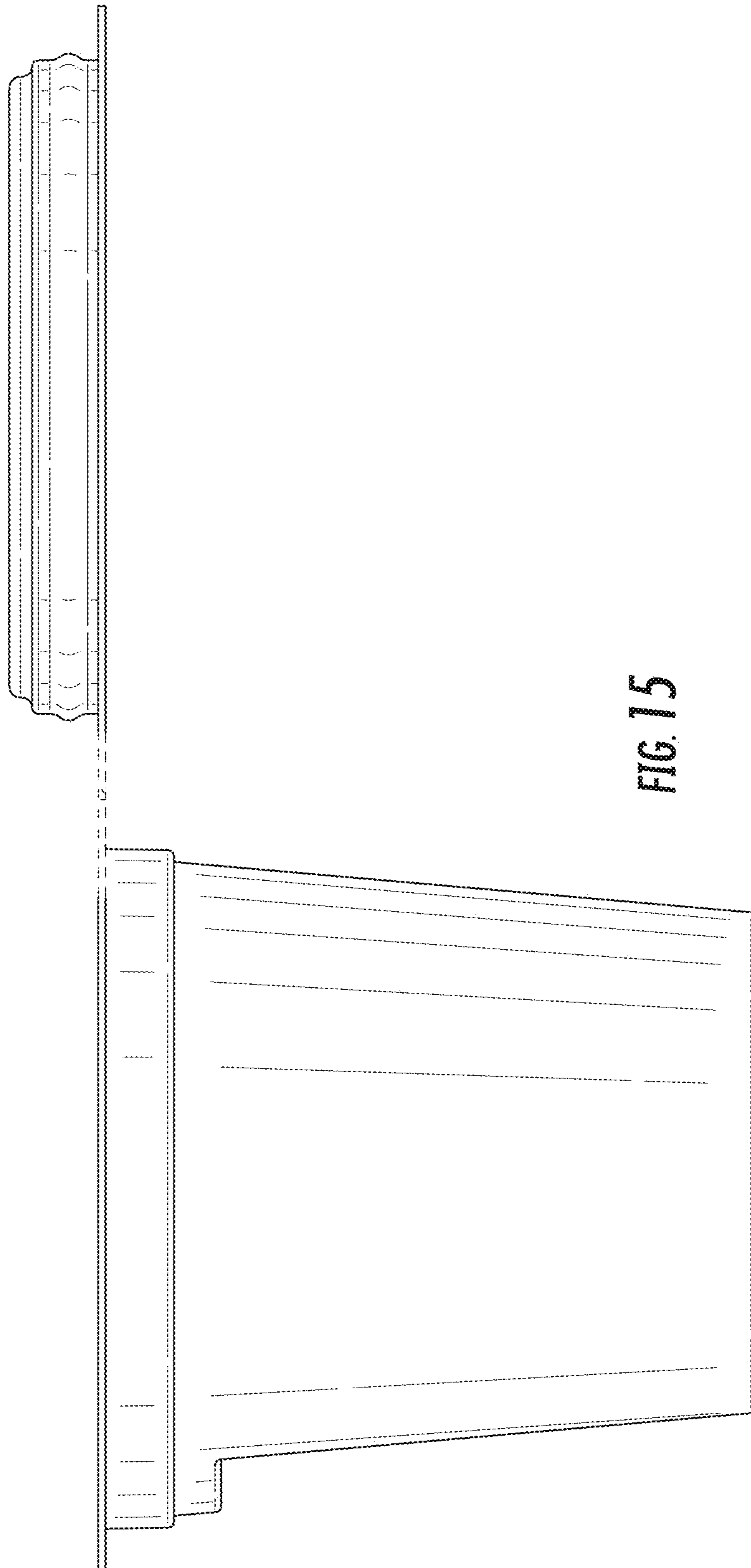


FIG. 15

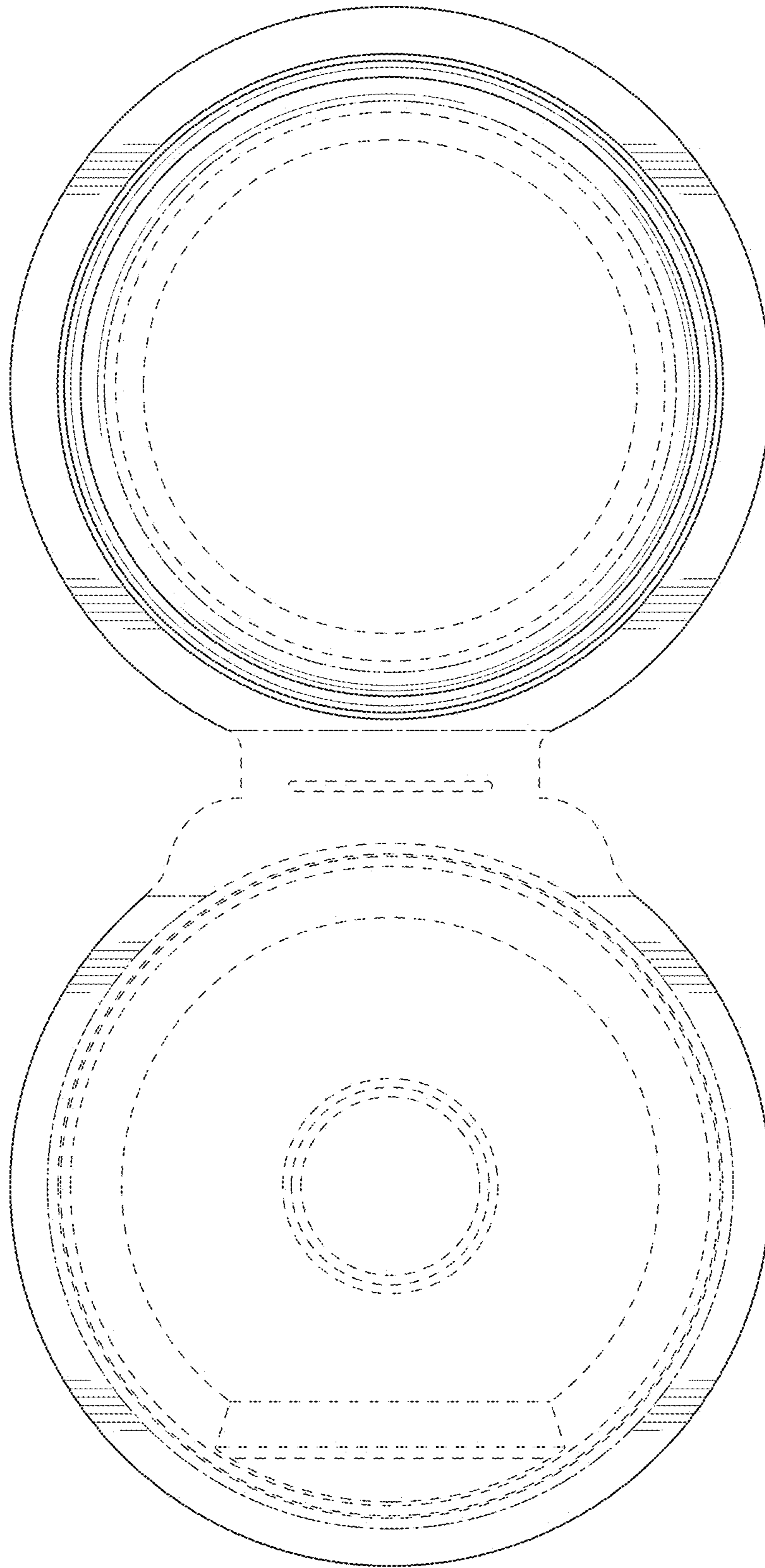


FIG. 16

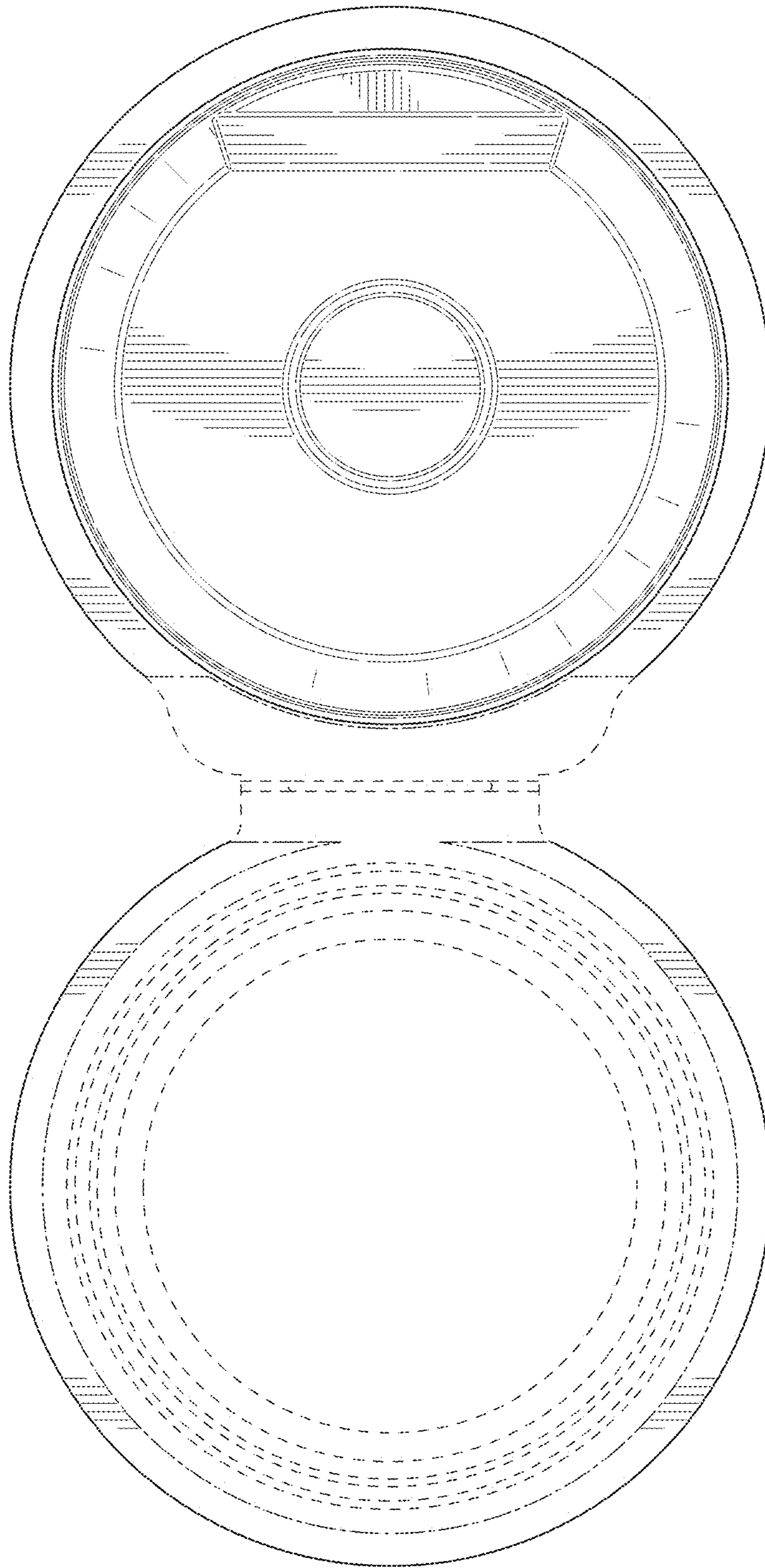


FIG. 17

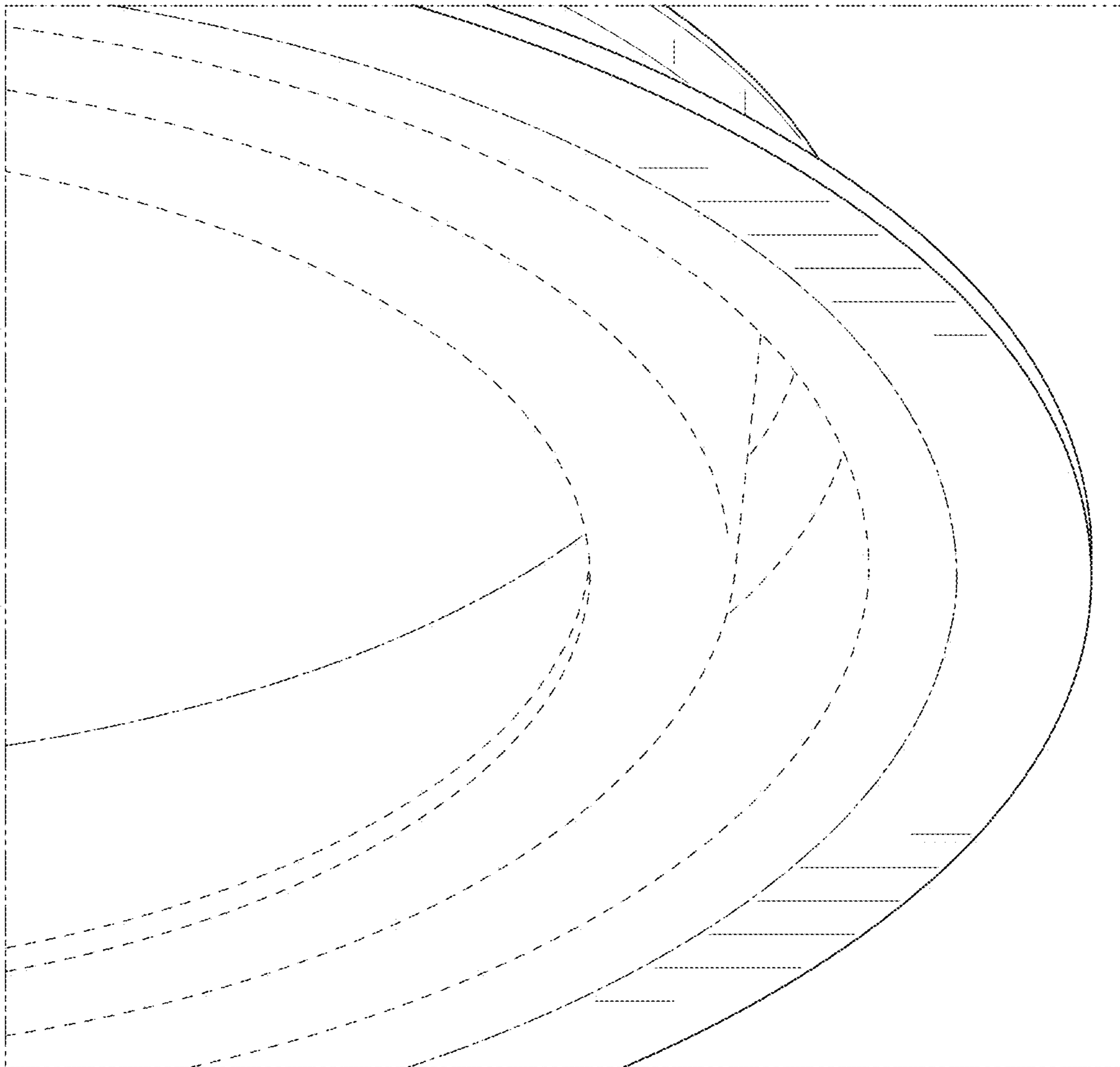


FIG. 18

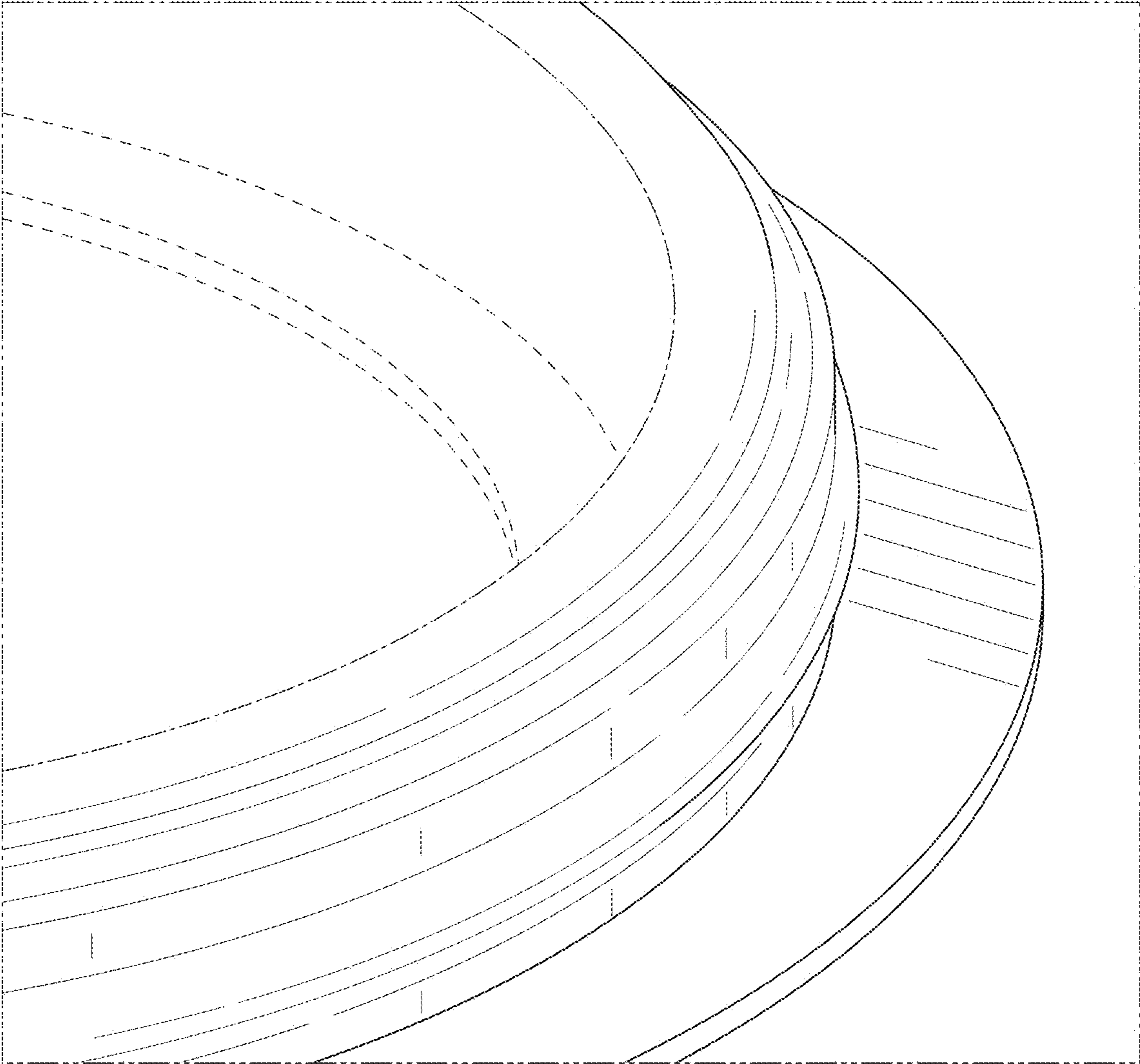


FIG. 19