



US00D948936S

(12) **United States Design Patent** (10) **Patent No.:** **US D948,936 S**
Fedorak et al. (45) **Date of Patent:** **** Apr. 19, 2022**

(54) **BEVERAGE CAPSULE RECEIVING ADAPTOR**

(71) Applicant: **BARTESIAN INC.**, Kitchener (CA)

(72) Inventors: **Bryan Neil Stephen Fedorak**, Kitchener (CA); **Jason Neevel**, Santa Clara, CA (US); **Kristopher Christensen**, Oakville (CA); **Jacob Edding**, East York (CA); **Art De Guzman**, Toronto (CA); **Nicol Alexander Boyd**, Kennedy Town (HK); **Jeffrey George Dayman**, Waterloo (CA); **Kevin William Appleby**, Kitchener (CA); **Tomas Wilhelm Rosen**, Lidingö (SE); **David R. Hawks**, Glen Allen, VA (US); **Matthew T. Carley**, Richmond, VA (US)

(73) Assignee: **BARTESIAN INC.**, Kitchener (CA)

(**) Term: **15 Years**

(21) Appl. No.: **29/738,621**

(22) Filed: **Jun. 18, 2020**

Related U.S. Application Data

(62) Division of application No. 29/653,902, filed on Jun. 19, 2018, now Pat. No. Des. 890,569.

(51) **LOC (13) Cl.** **07-99**

(52) **U.S. Cl.**
USPC **D7/400**

(58) **Field of Classification Search**
USPC D7/300, 387, 397, 399, 400, 401, 602, D7/619.1, 667; D23/209
CPC A47J 27/21058; A47J 31/40; A47J 31/41; A47J 31/44; A47J 47/00; A47G 19/12; A47G 19/14; A47G 19/145; B01D 35/02; B65B 39/00; B65D 47/06
See application file for complete search history.

(56) **References Cited**

U.S. PATENT DOCUMENTS

D539,643	S	4/2007	Abel	
D628,883	S *	12/2010	Stephens	D9/429
D700,475	S *	3/2014	Avigdor	D7/400
D703,039	S	4/2014	Hansen	
D707,489	S *	6/2014	Hertaus	D7/400
D727,141	S *	4/2015	Mastropasqua	D9/416
D747,139	S *	1/2016	Rondelli	D7/400

(Continued)

OTHER PUBLICATIONS

Bartesian Inc., Design U.S. Appl. No. 29/653,902, Entitled "Beverage Capsule Receiving Adaptor".

(Continued)

Primary Examiner — Andrew Kerr

(74) *Attorney, Agent, or Firm* — Perry + Currier

(57) **CLAIM**

What is claimed is the ornamental design for a beverage capsule receiving adaptor, as shown and described.

DESCRIPTION

FIG. 1 shows a top perspective view of a beverage capsule receiving adaptor.

FIG. 2 shows a bottom perspective view thereof.

FIG. 3 shows another top perspective view thereof.

FIG. 4 shows a left side elevation view thereof.

FIG. 5 shows a front side elevation view thereof.

FIG. 6 shows a right side elevation view thereof.

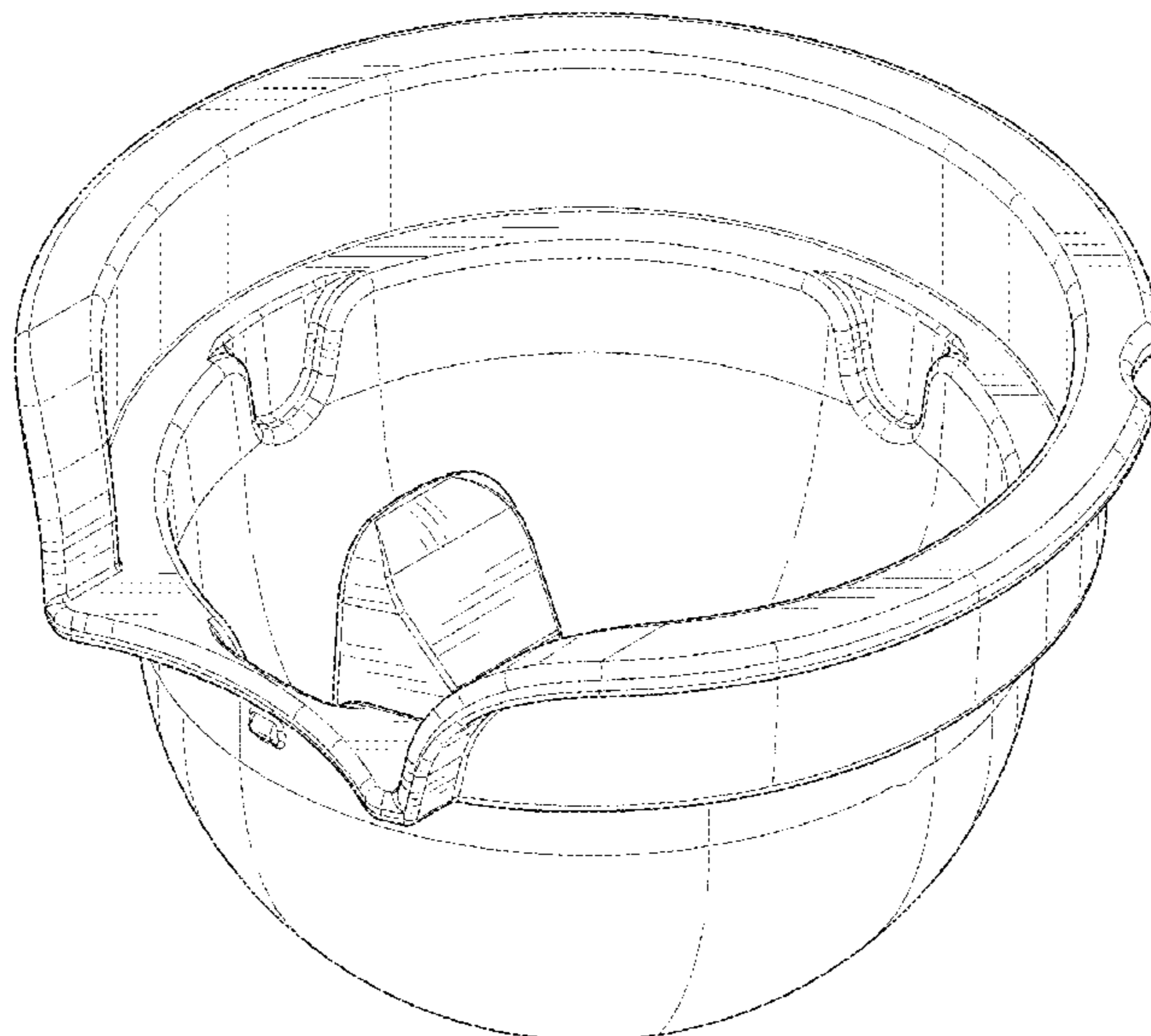
FIG. 7 shows a rear side elevation view thereof.

FIG. 8 shows a top plan view thereof; and,

FIG. 9 shows a bottom plan view thereof.

The broken lines in the drawings depict portions of the beverage capsule receiving adaptor that form no part of the claimed design.

1 Claim, 9 Drawing Sheets



(56)

References Cited

U.S. PATENT DOCUMENTS

D766,078 S * 9/2016 Hansen D9/416
D782,908 S * 4/2017 Bentkovski D9/449
D796,898 S * 9/2017 Robotti D7/400
D800,497 S * 10/2017 Fedorak D7/397
D844,379 S * 4/2019 Simonazzi D7/400
D853,843 S * 7/2019 Michailides D9/449
D876,299 S * 2/2020 Sunde D12/180
2004/0188374 A1 9/2004 Ochoa Laburu
2015/0274412 A1* 10/2015 Bisio B65D 85/8046
426/115
2016/0311608 A1* 10/2016 Accursi A47J 31/0673
2016/0355327 A1* 12/2016 Minganti B29C 51/082
2016/0362246 A1* 12/2016 Garcin A47J 31/407

OTHER PUBLICATIONS

U.S. Appl. No. 29/810,173, Beverage Capsule Receiving Adaptor,
filed Oct. 1, 2021.
U.S. Appl. No. 29/810,177, Beverage Capsule Receiving Adaptor,
filed Oct. 1, 2021.
U.S. Appl. No. 29/810,180, Beverage Capsule Receiving Adaptor,
filed Oct. 1, 2021.
U.S. Appl. No. 29/810,182, Beverage Capsule Receiving Adaptor,
filed Oct. 1, 2021.
U.S. Appl. No. 29/810,187, Beverage Capsule Receiving Adaptor,
filed Oct. 1, 2021.
U.S. Appl. No. 29/810,188, Beverage Capsule Receiving Adaptor,
filed Oct. 1, 2021.

* cited by examiner

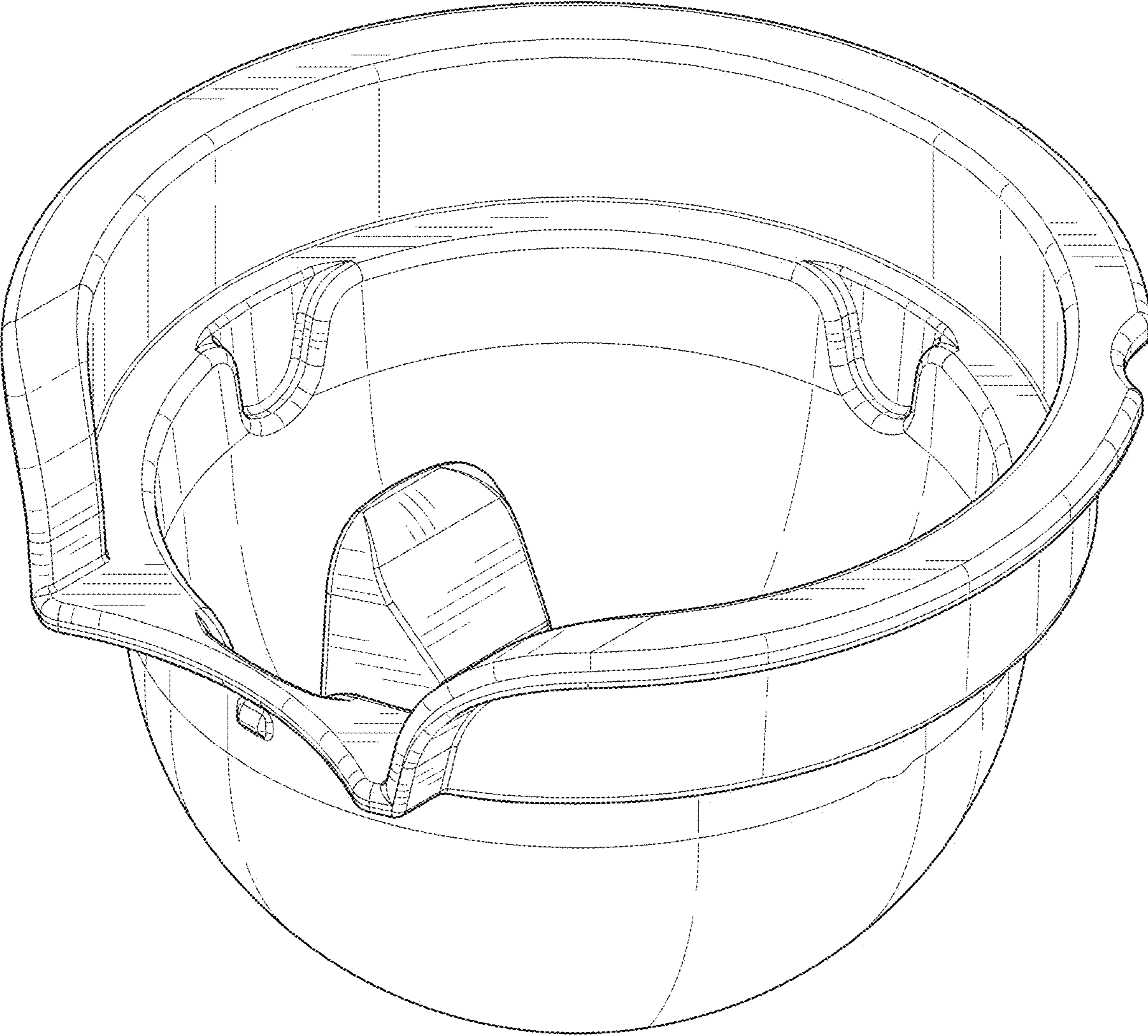


FIG. 1

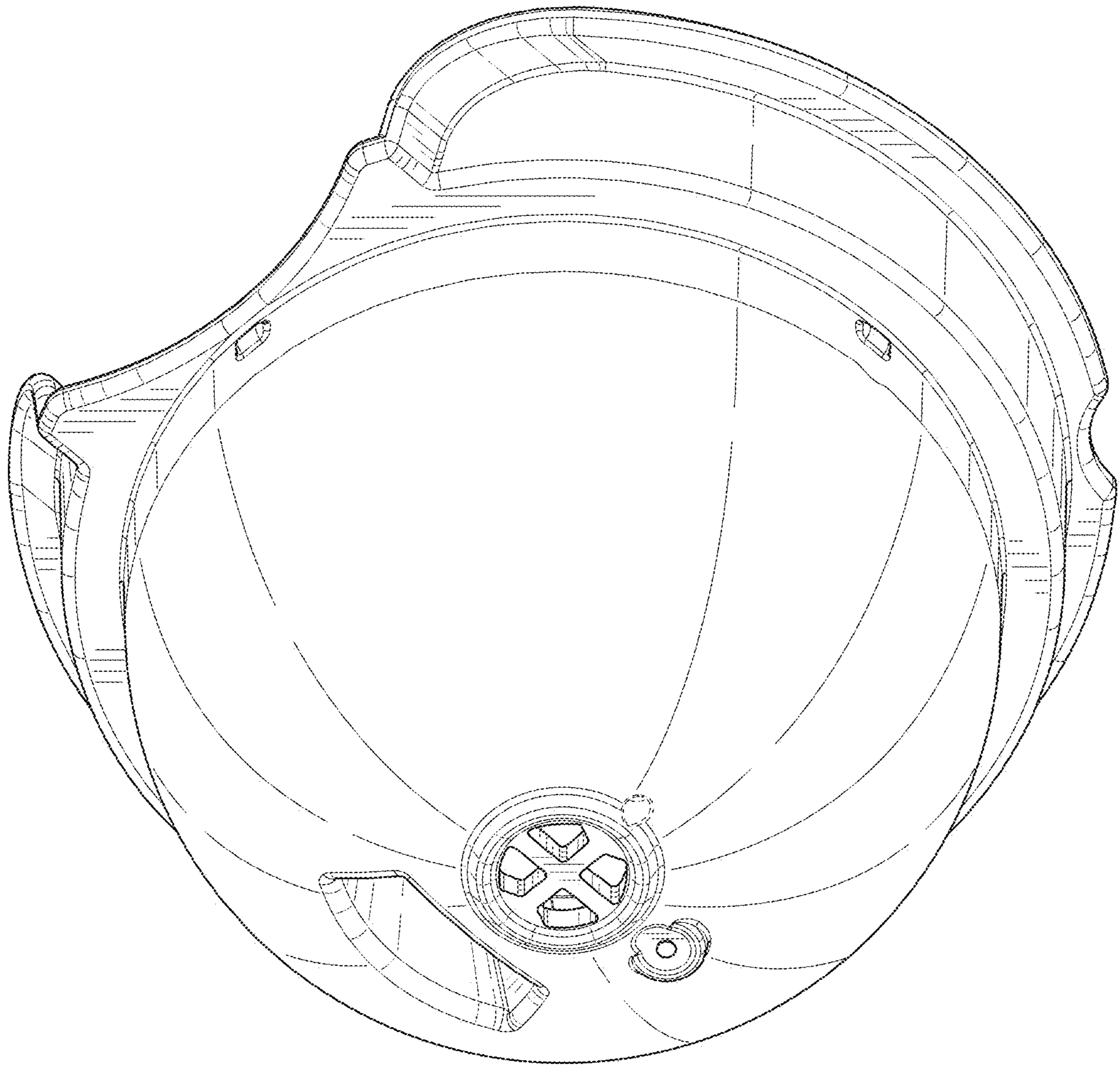


FIG. 2

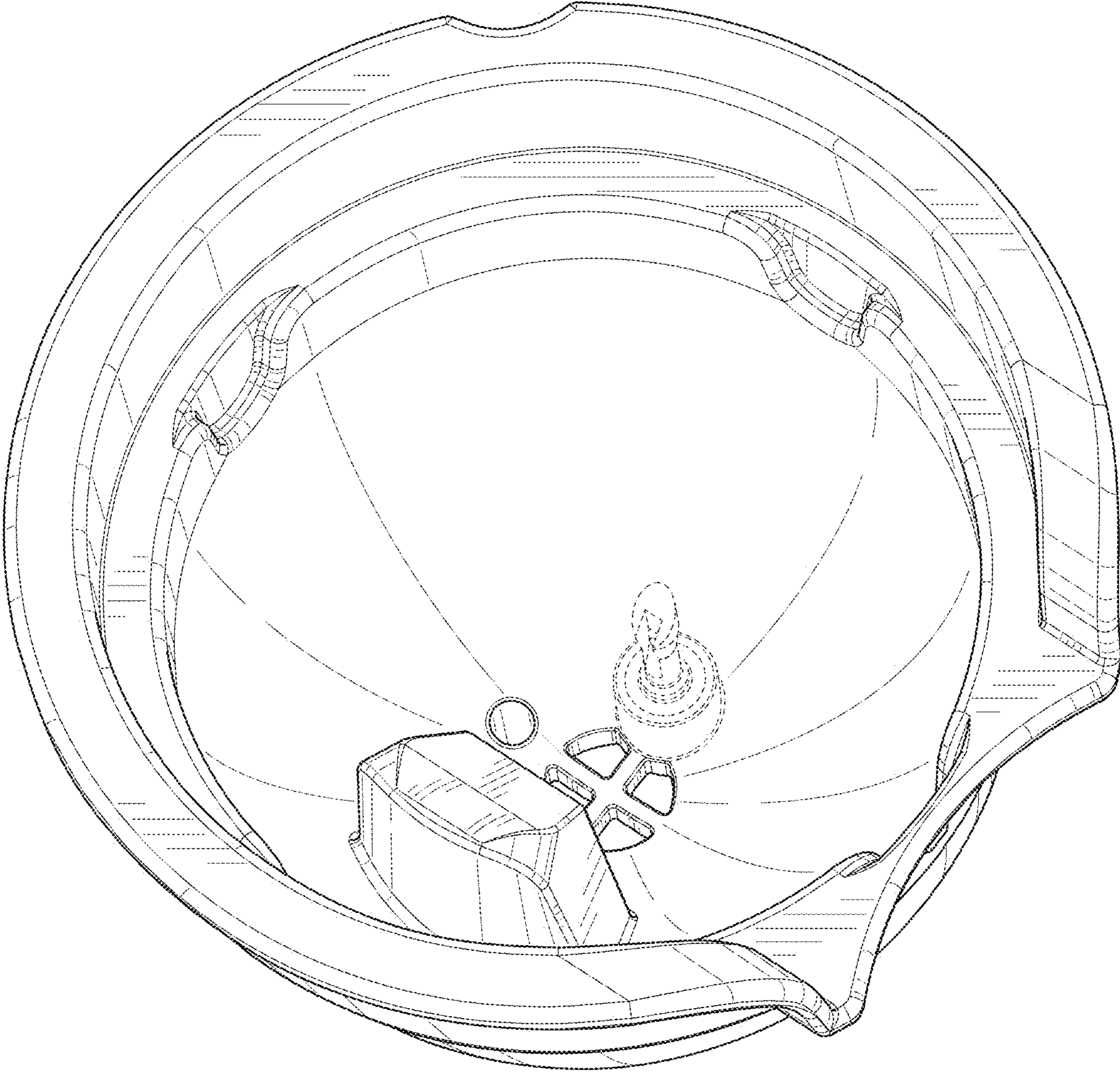


FIG. 3

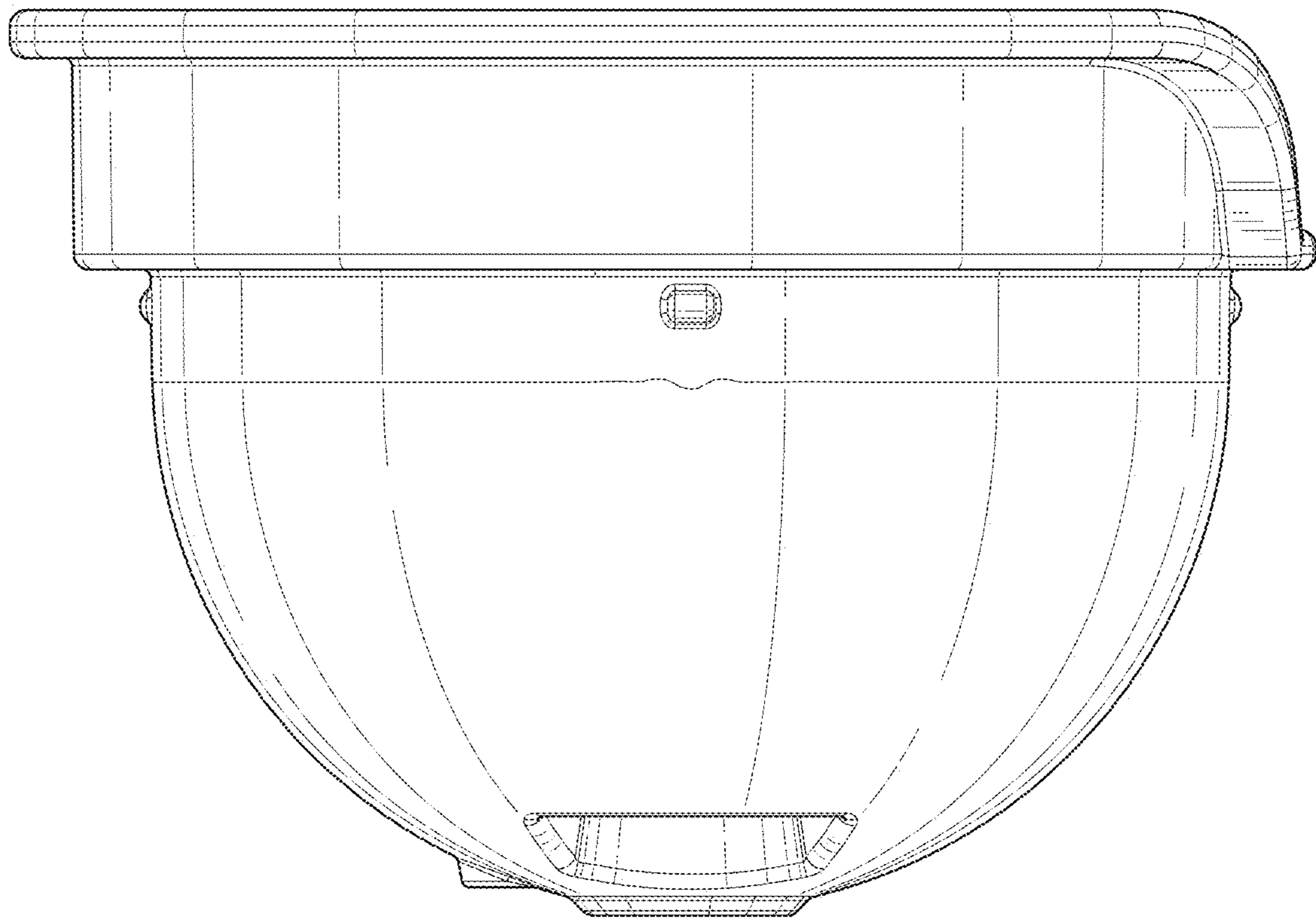


FIG. 4

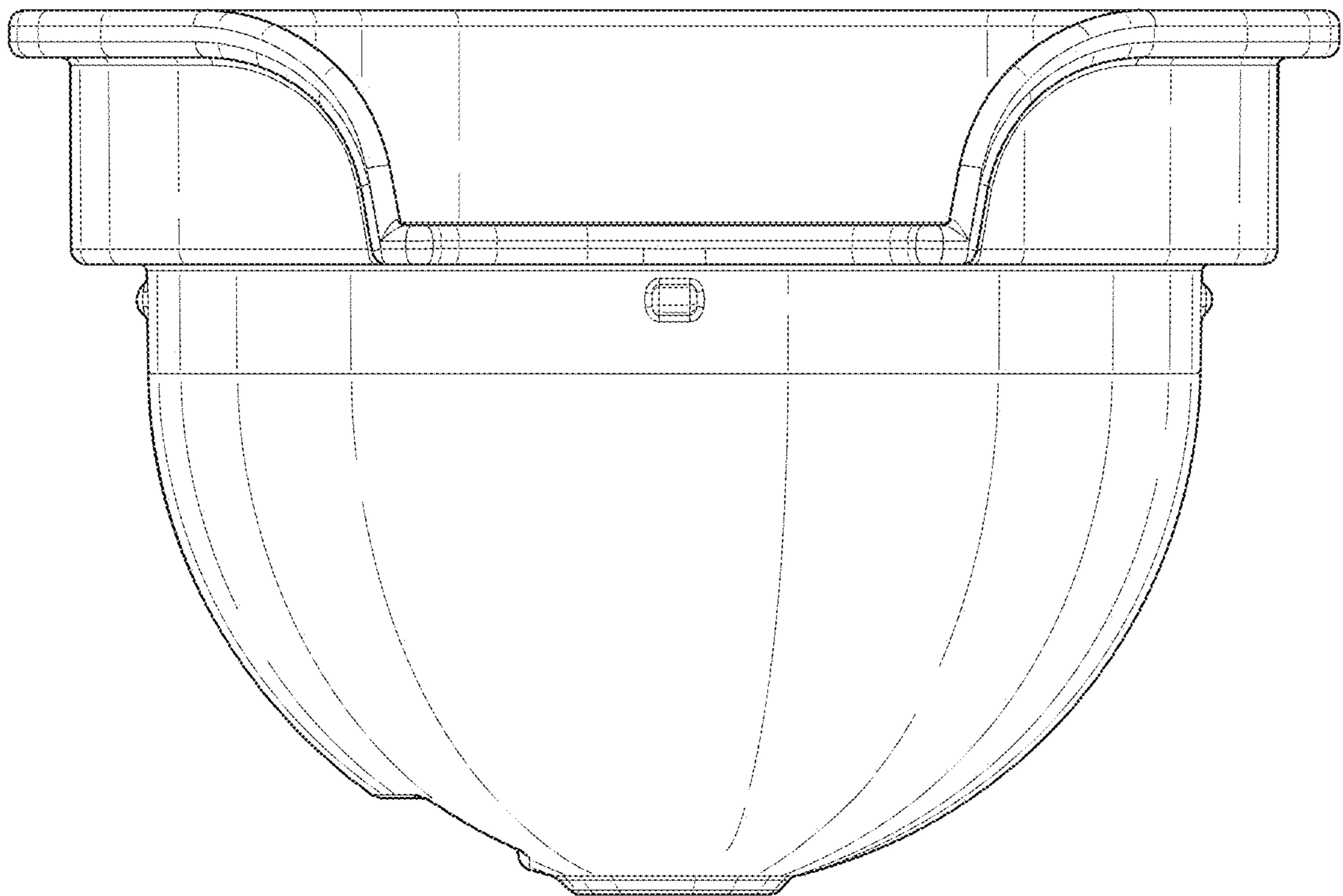


FIG. 5

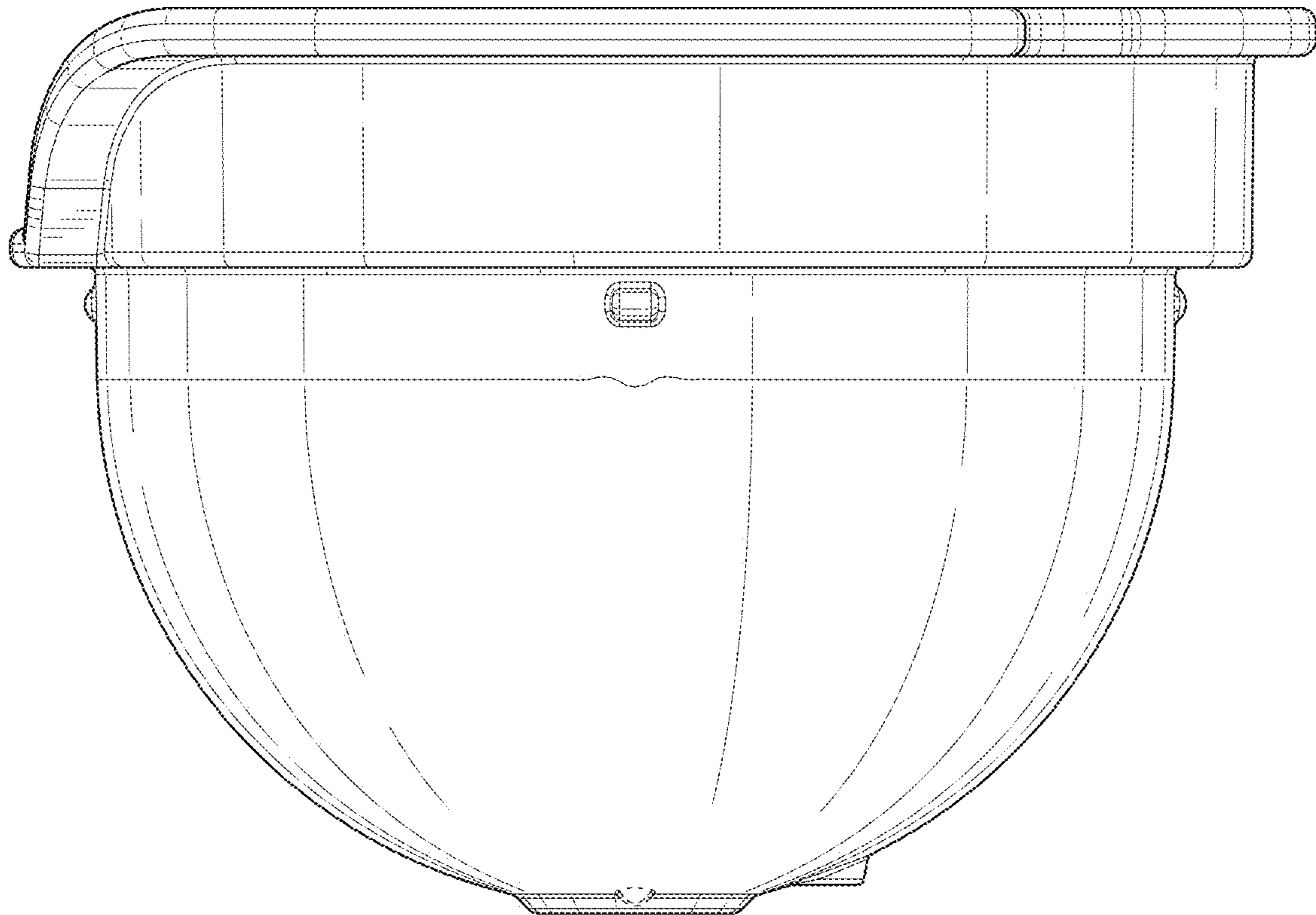


FIG. 6

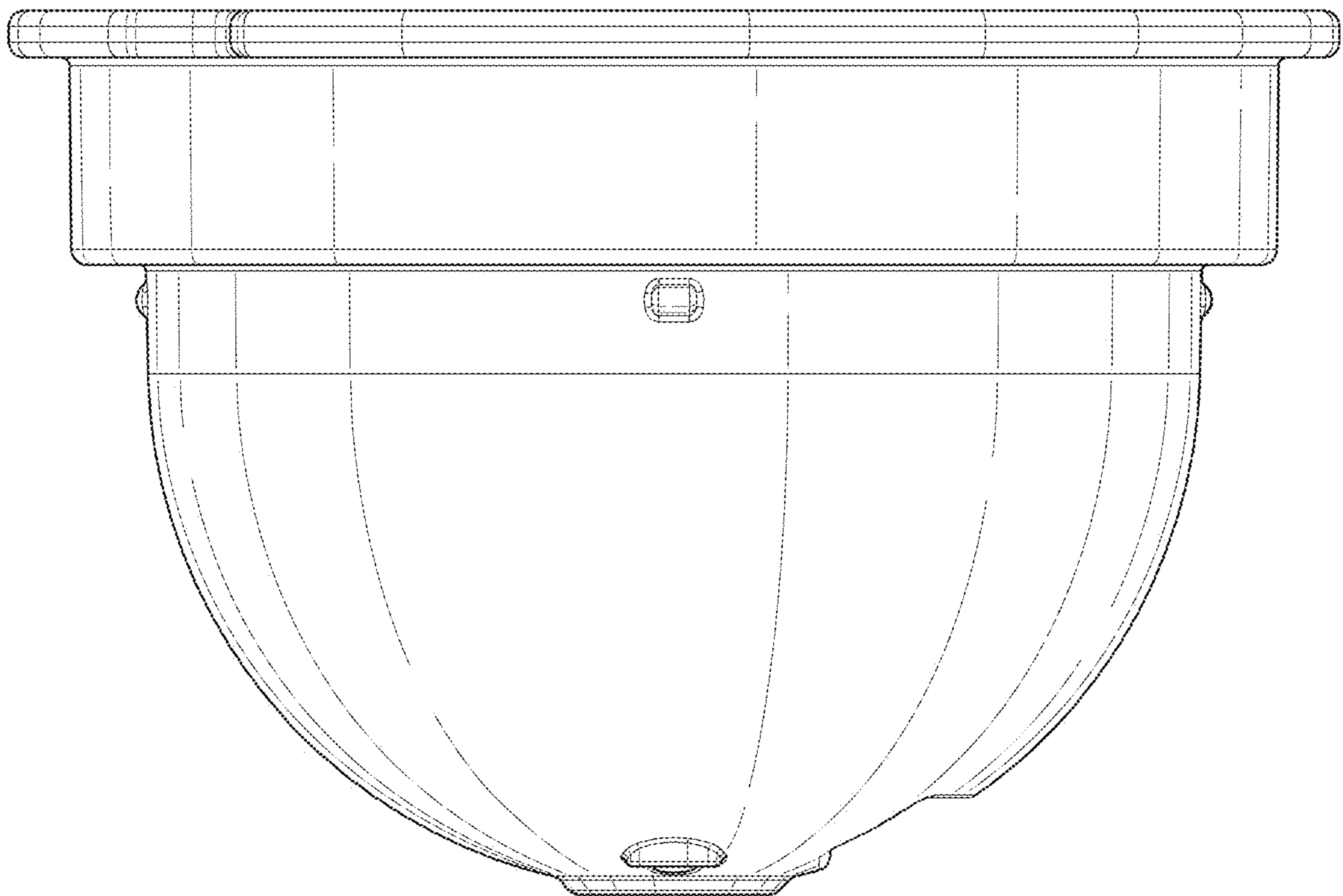


FIG. 7

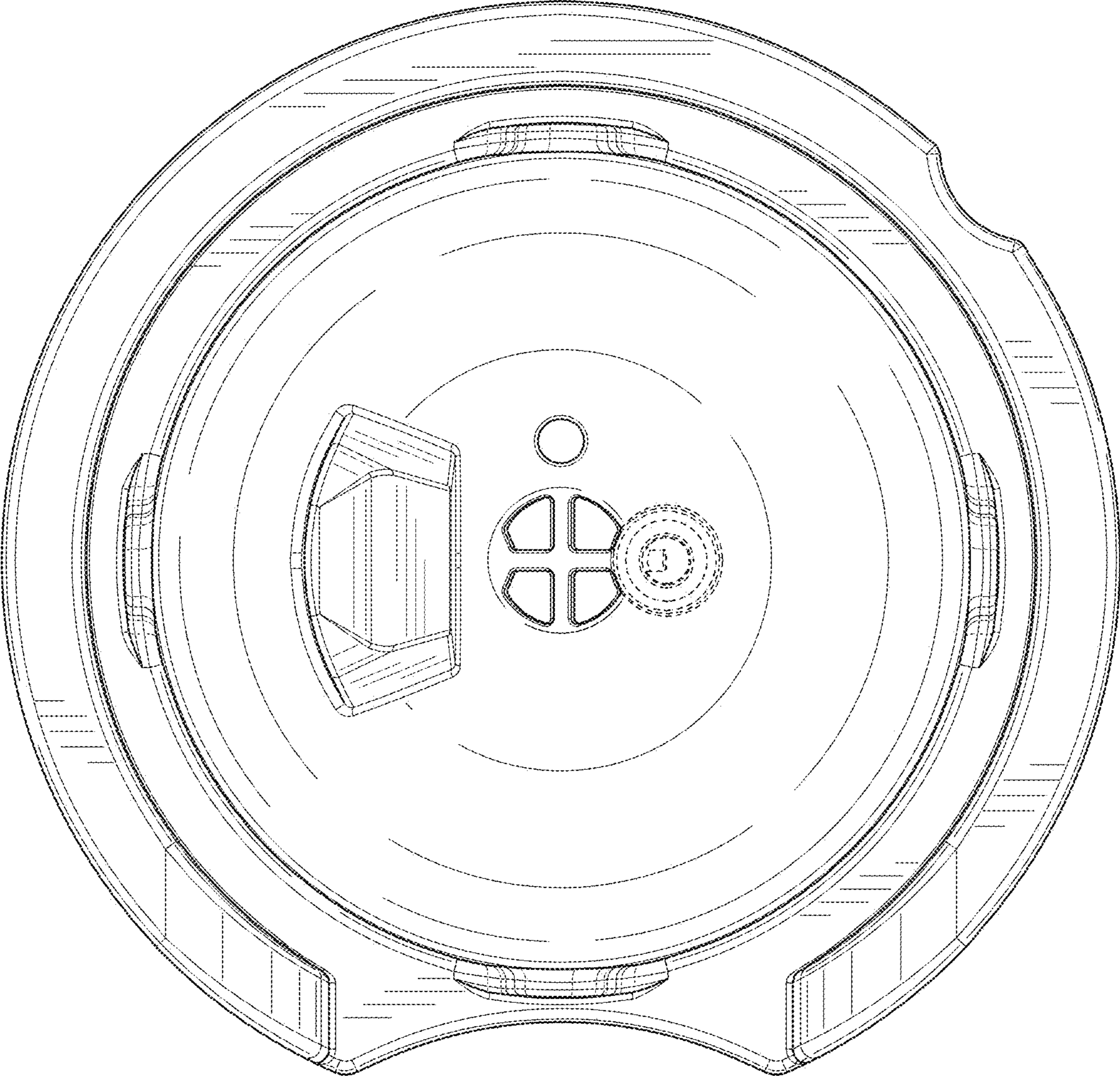


FIG. 8

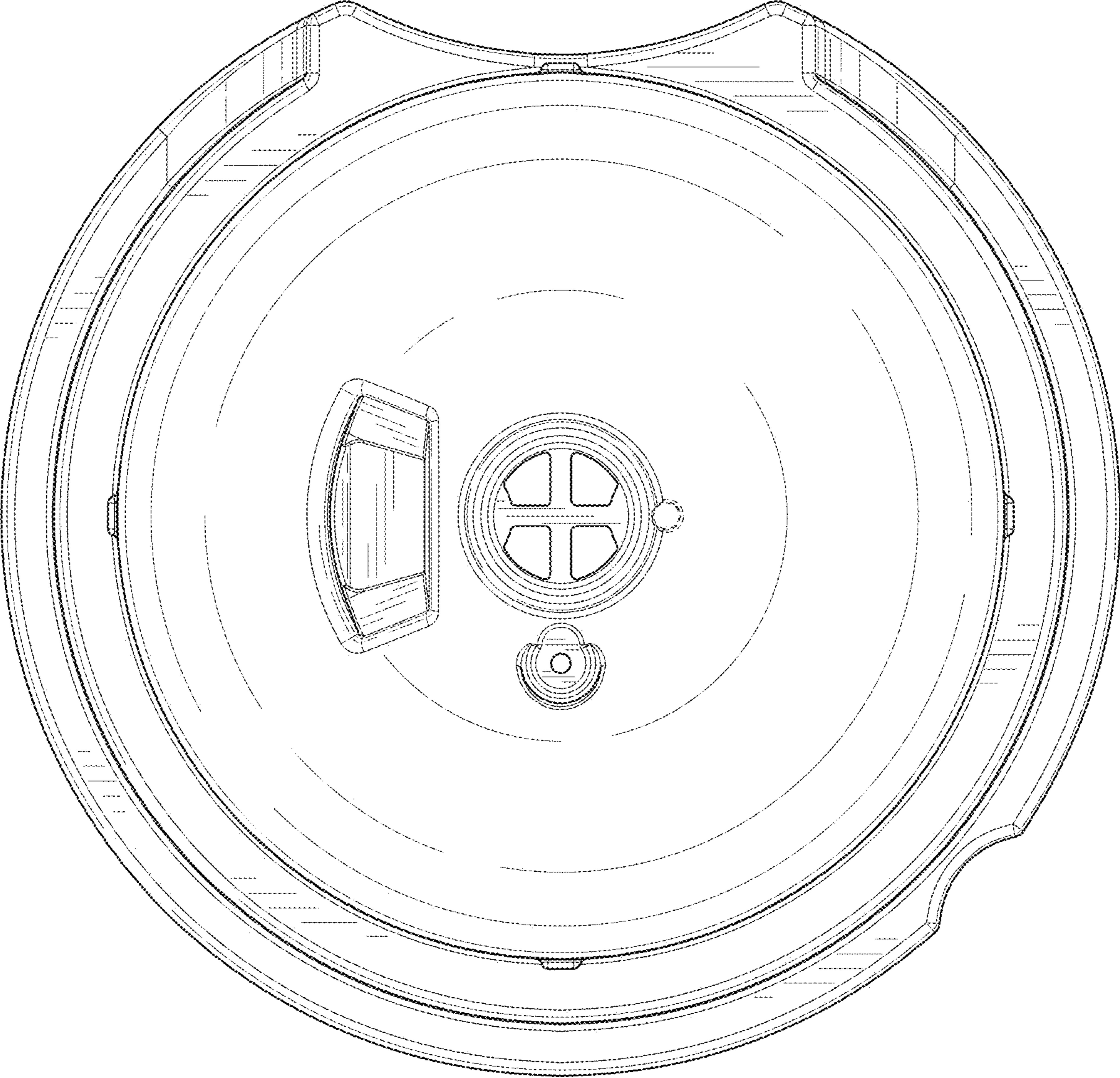


FIG. 9