



US00D948933S

(12) **United States Design Patent**
Steenari et al.

(10) **Patent No.:** **US D948,933 S**

(45) **Date of Patent:** **** Apr. 19, 2022**

(54) **CONTAINER LID**

(71) Applicant: **Takeya USA Corporation**, Costa Mesa, CA (US)

(72) Inventors: **Jukka Steenari**, Aliso Viejo, CA (US);
Yukio Ban, Osaka (JP)

(73) Assignee: **Takeya USA Corporation**, Costa Mesa, CA (US)

(**) Term: **15 Years**

(21) Appl. No.: **29/665,347**

(22) Filed: **Oct. 2, 2018**

(51) **LOC (13) Cl.** **07-99**

(52) **U.S. Cl.**
USPC **D7/396.2**

(58) **Field of Classification Search**

USPC D7/509, 510, 511, 523, 591, 597, 598,
D7/602, 619.1; D9/737, 738, 763, 772,
D9/778, 516, 544, 545, 529, 549, 905
CPC A45F 3/16; A47G 19/22; A47G 19/2205;
A47G 19/2266; A47G 19/14; A47G
19/16; B65D 41/04; B65D 41/0414;
B65D 51/18; B65D 1/02; A47J 41/02;
A47J 43/27

See application file for complete search history.

(56) **References Cited**

U.S. PATENT DOCUMENTS

2,304,214 A * 12/1942 Straub B65D 47/286
222/542
D533,779 S * 12/2006 Schmidtner D9/449

D715,100 S * 10/2014 Eyal D7/510
D790,272 S * 6/2017 Han D7/396.2
D802,362 S * 11/2017 Spivey D7/396.2
D811,817 S * 3/2018 Harrington, III D7/510
10,252,838 B2 * 4/2019 Ban A47G 19/00
D850,192 S * 6/2019 Jacobsen D7/396.2
2017/0273484 A1 * 9/2017 Spivey B65D 47/0833

* cited by examiner

Primary Examiner — Andrew Kerr

(74) *Attorney, Agent, or Firm* — Klein, O'Neill & Singh, LLP

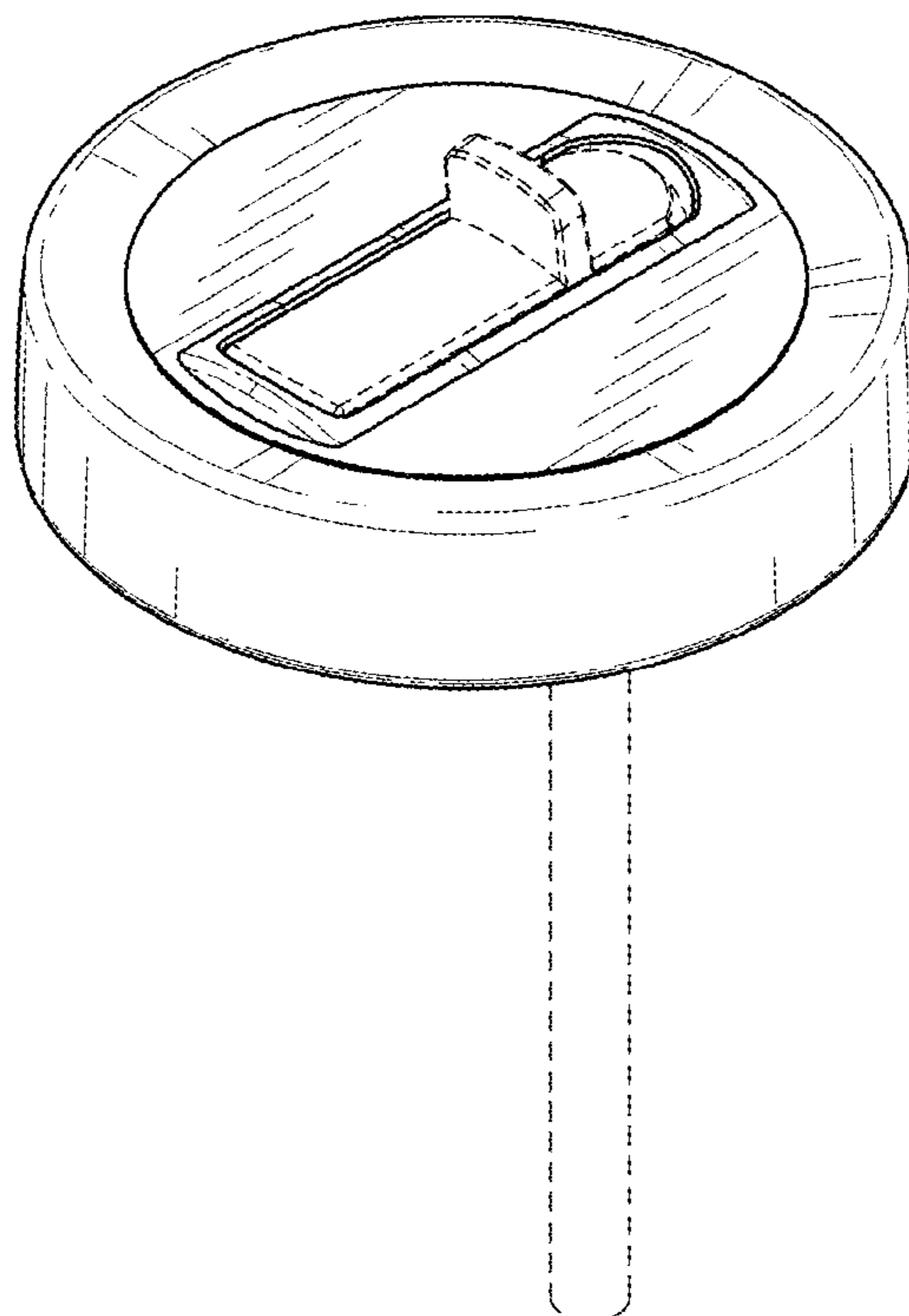
(57) **CLAIM**

The ornamental design for a container lid, as shown and described.

DESCRIPTION

FIG. 1 is a top perspective view of a container lid showing the new design in a used condition;
FIG. 2 is a top perspective view thereof, in an alternative used condition;
FIG. 3 is a bottom perspective view thereof;
FIG. 4 is a bottom perspective view thereof, in a used condition;
FIG. 5 is a front side elevation view thereof, in a used condition;
FIG. 6 is a right side elevation view thereof, in a used condition;
FIG. 7 is a bottom plan view thereof; and,
FIG. 8 is a bottom plan view thereof, in a used condition.
The broken lines in the drawings depict portions of the container lid that form no part of the claimed design.

1 Claim, 4 Drawing Sheets



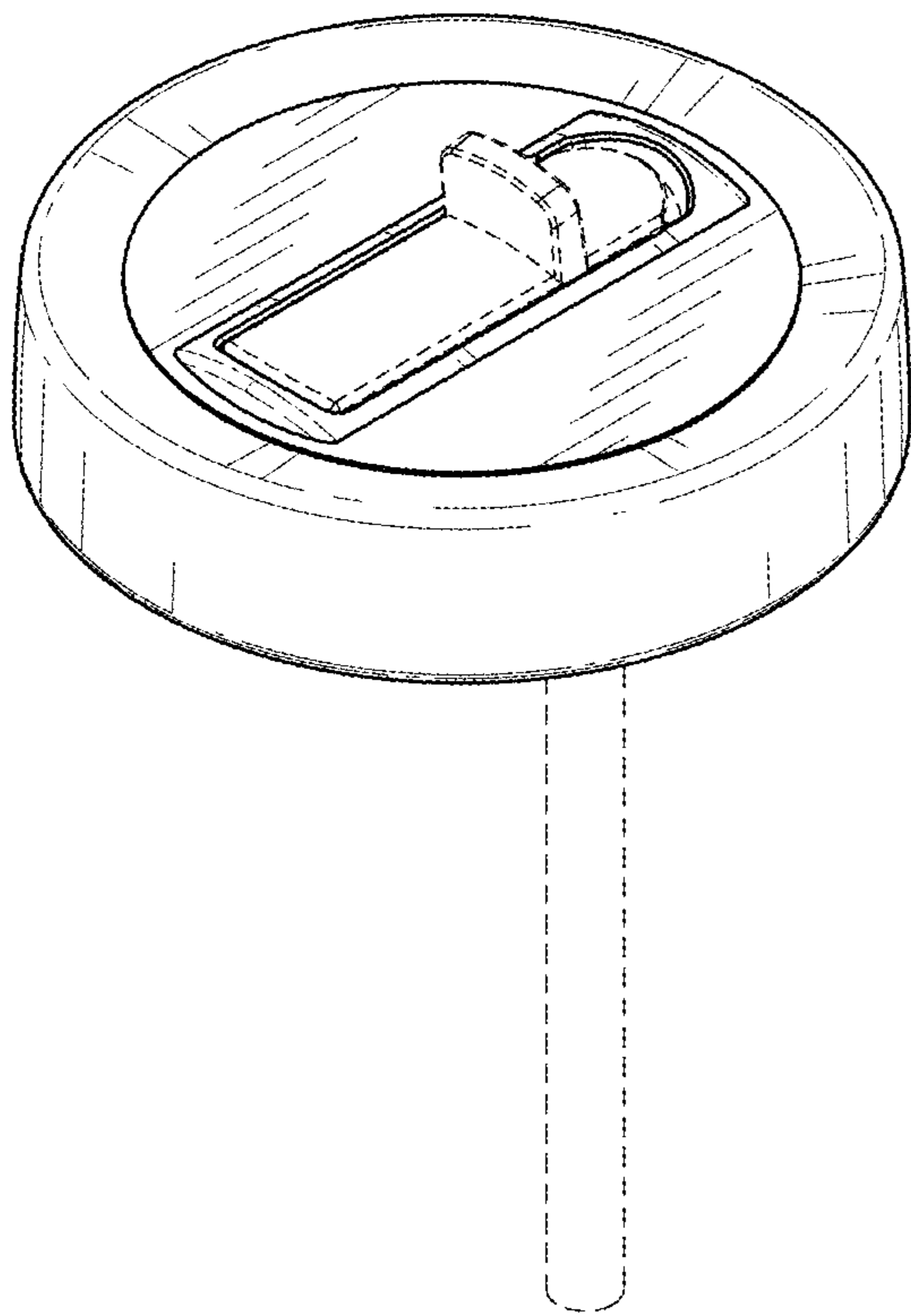


FIG. 1

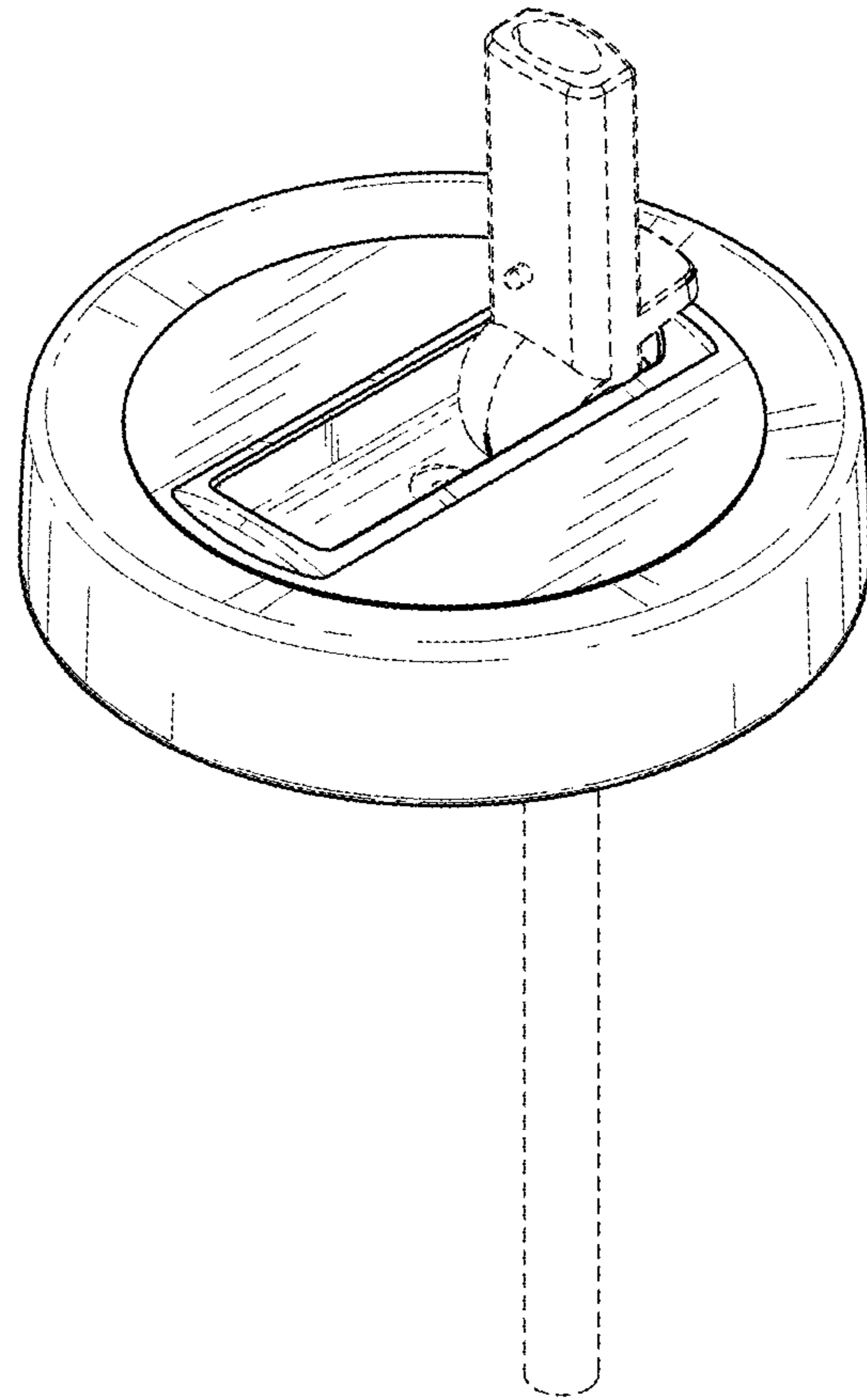


FIG. 2

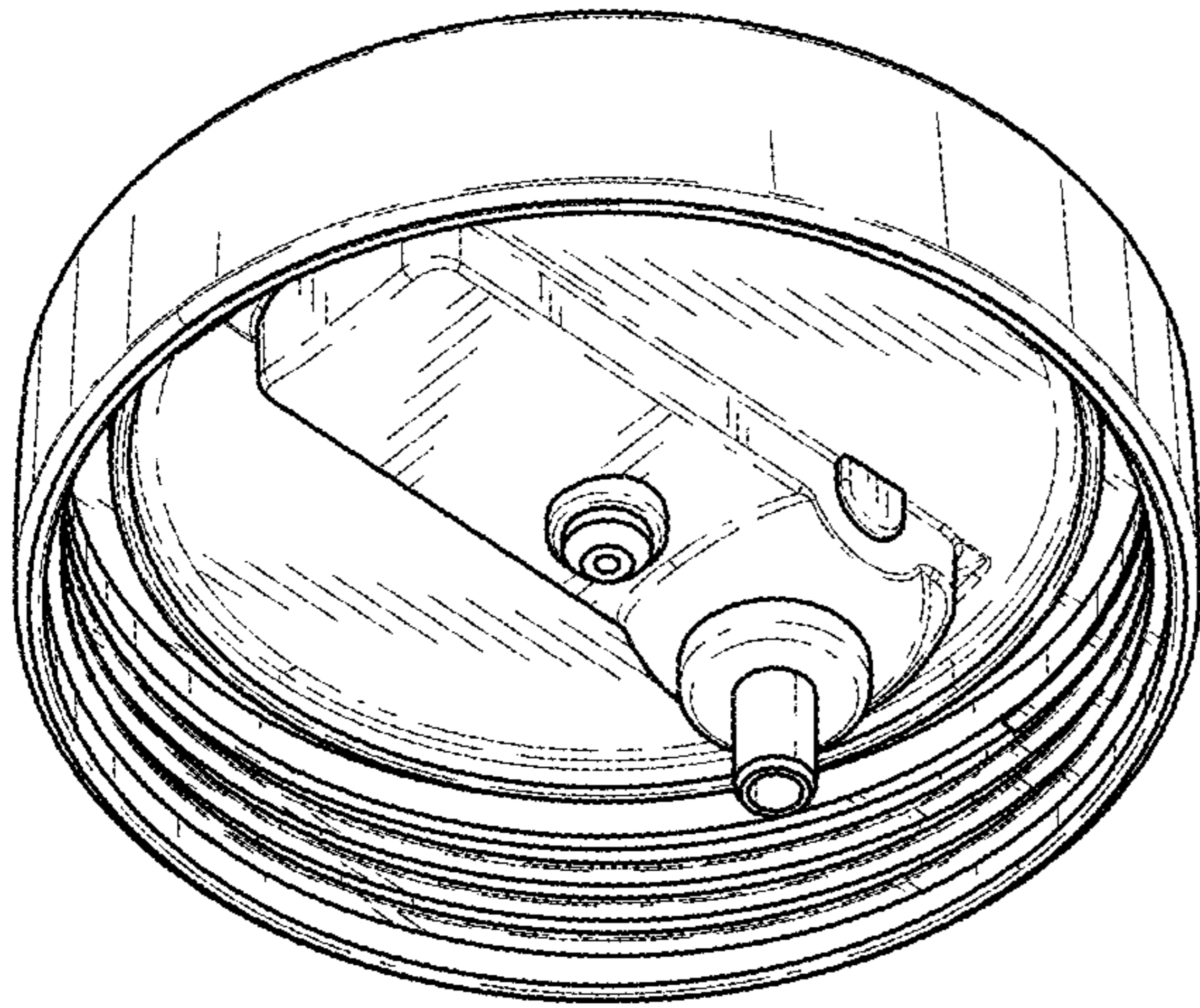


FIG. 3

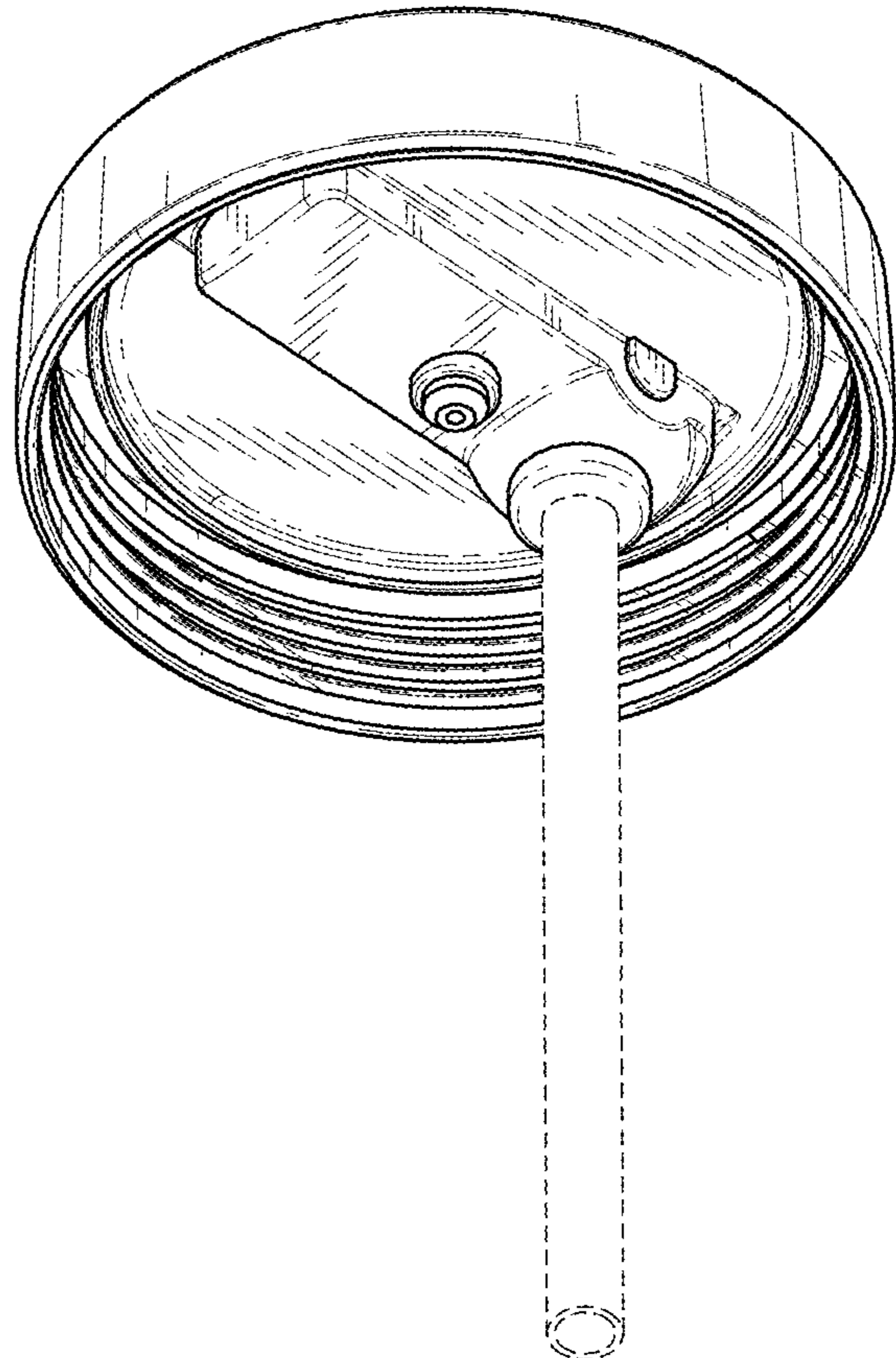


FIG. 4

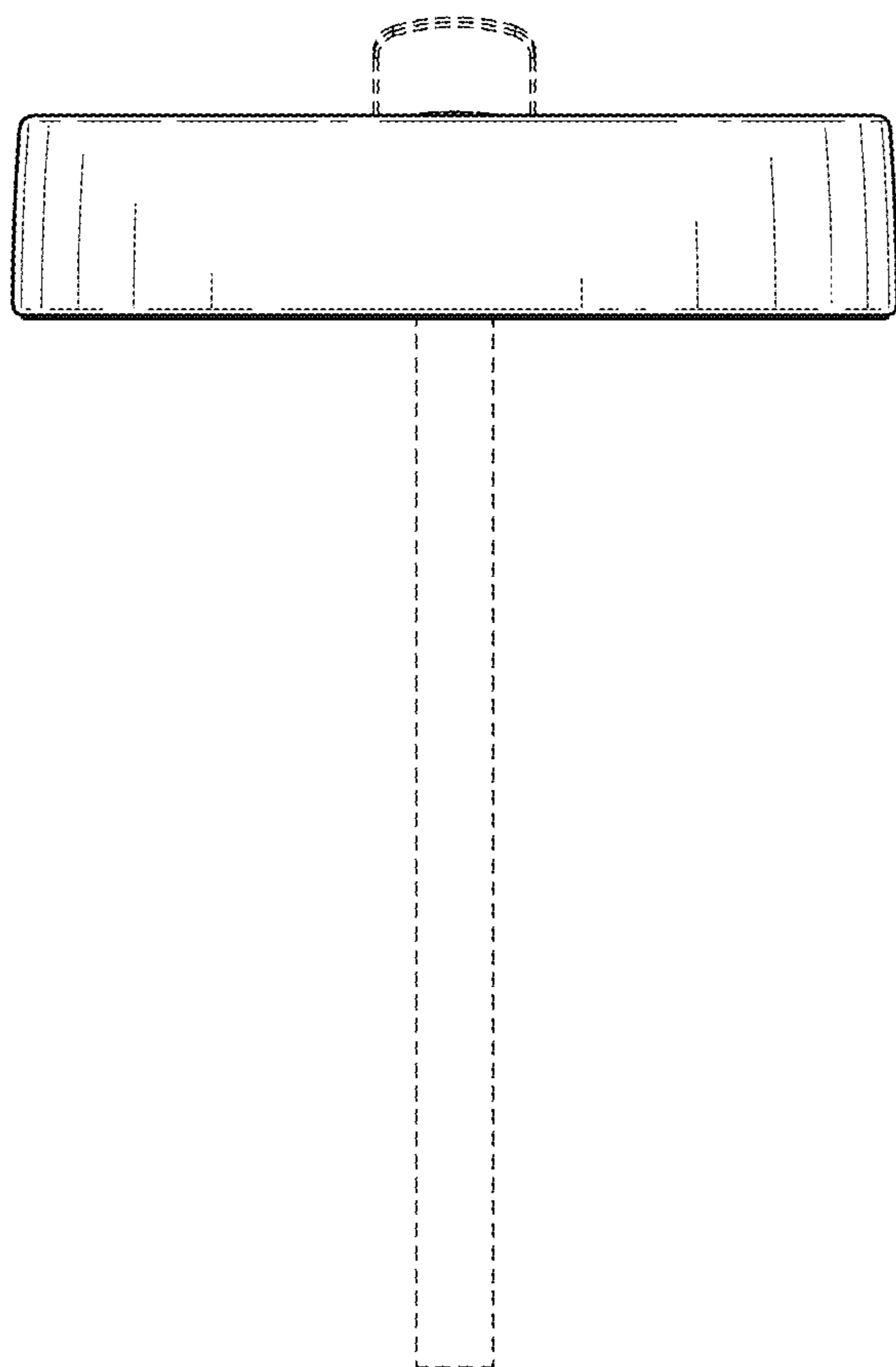


FIG. 5

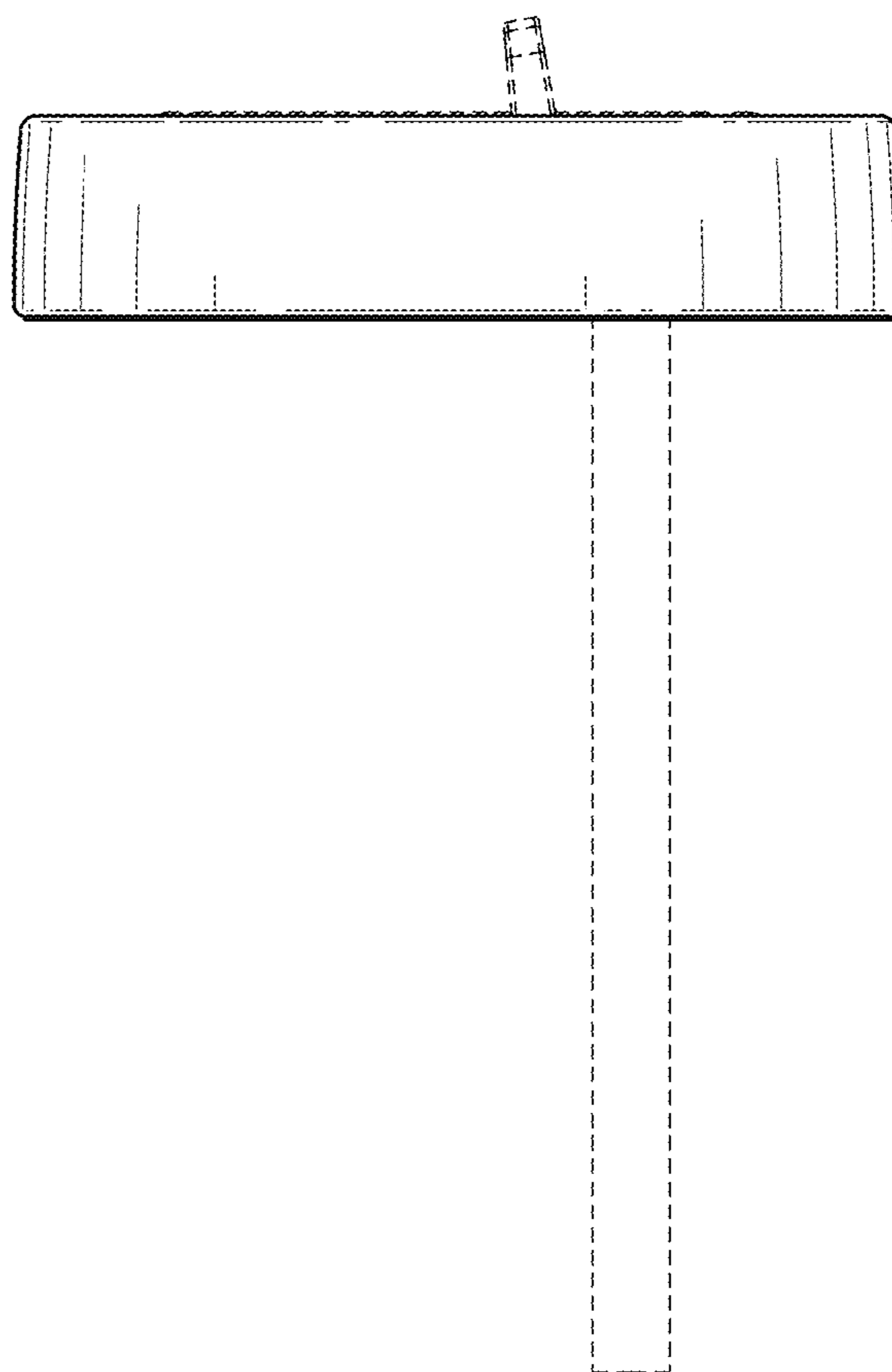


FIG. 6

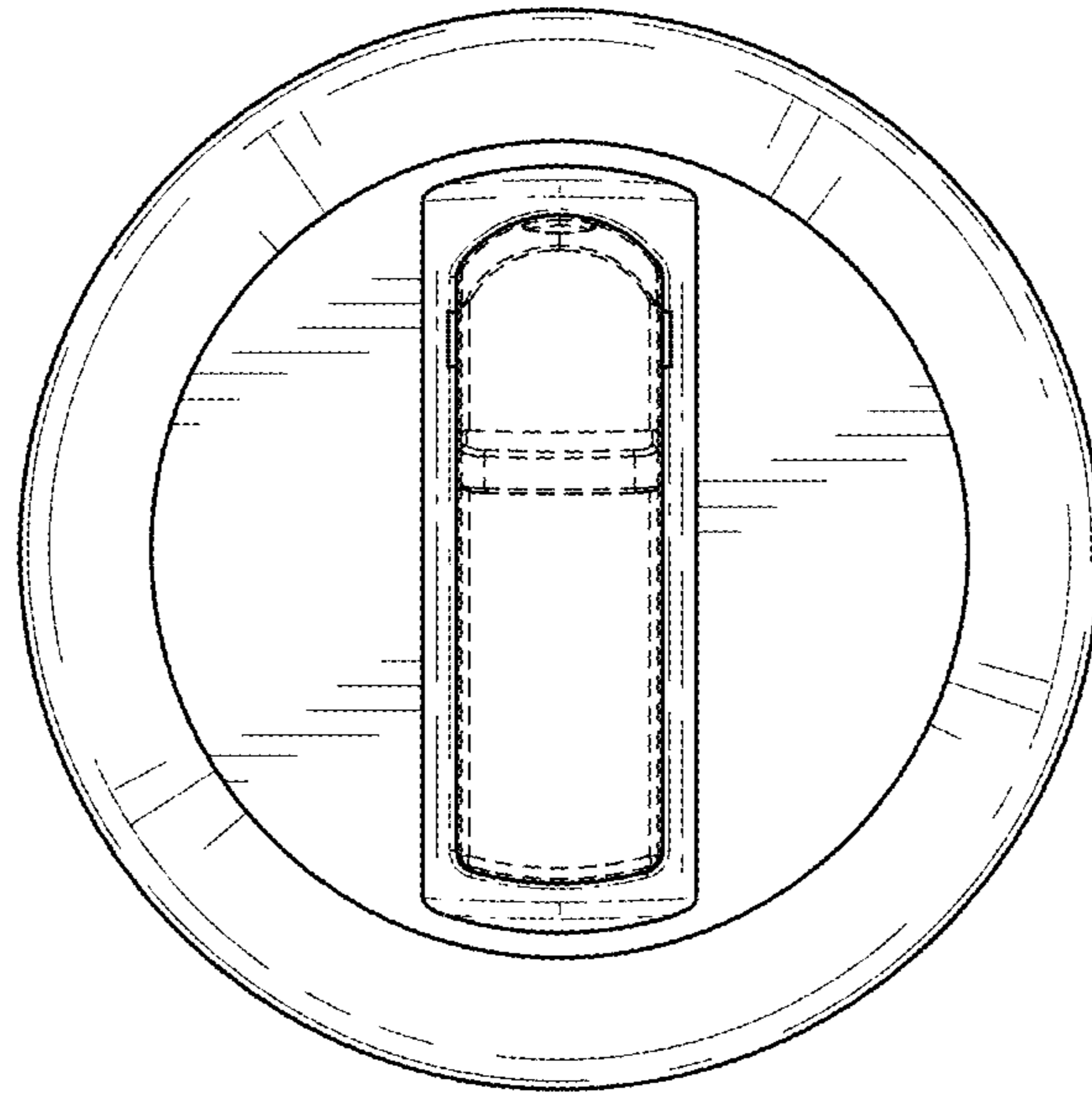


FIG. 7

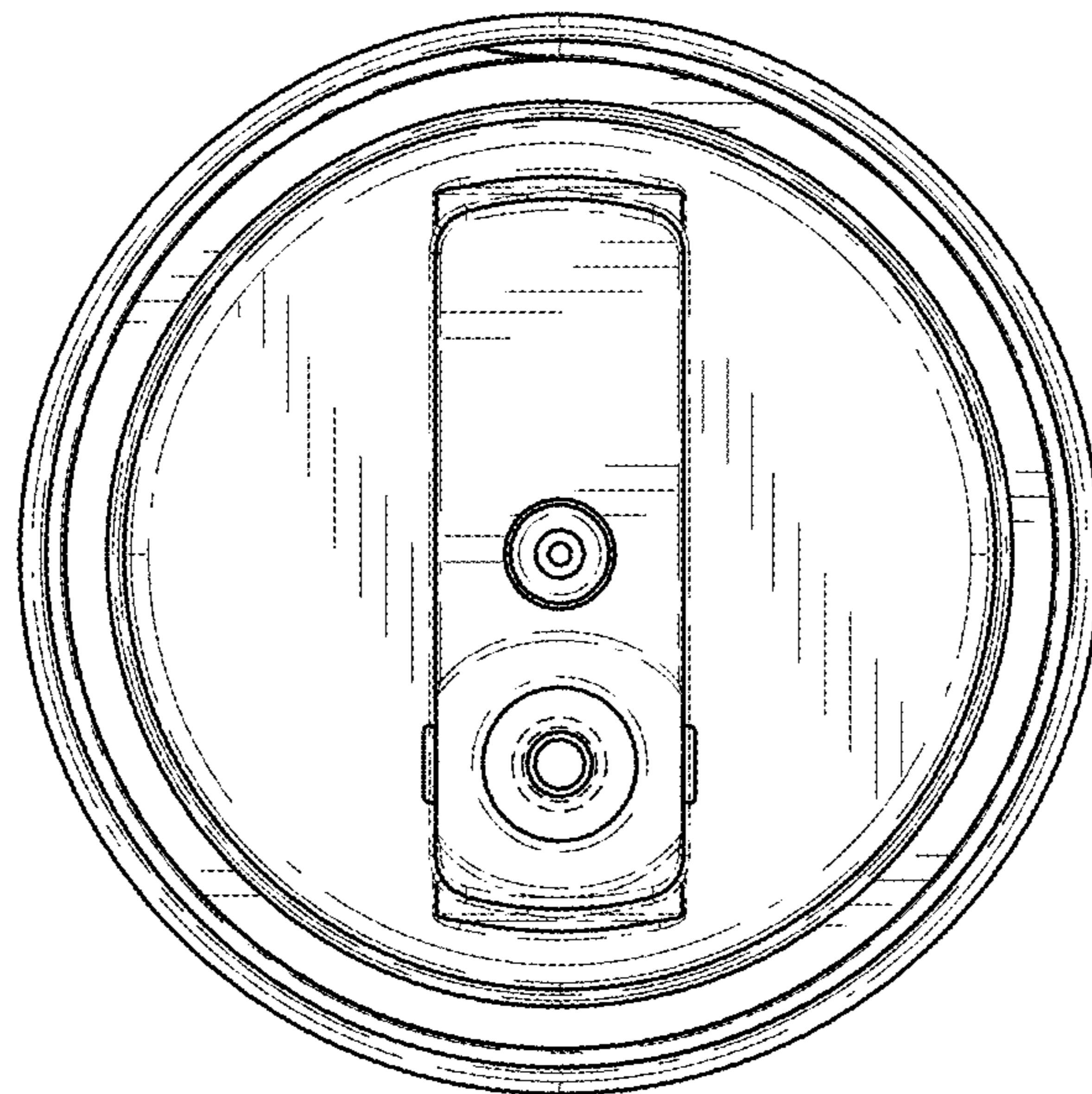


FIG. 8