

US00D948932S

(12) **United States Design Patent**
Mishan et al.

(10) **Patent No.:** **US D948,932 S**
(45) **Date of Patent:** **** Apr. 19, 2022**

(54) **COOKWARE HANDLE**

(71) Applicant: **E. MISHAN & SONS, INC.**, New York, NY (US)

(72) Inventors: **Isaac Mishan**, New York, NY (US);
Mohan Rajasekaran, Watertown, CT (US)

(73) Assignee: **E. Mishan & Sons, Inc.**, New York, NY (US)

(**) Term: **15 Years**

(21) Appl. No.: **29/755,221**

(22) Filed: **Oct. 19, 2020**

(51) **LOC (13) Cl.** **07-02**

(52) **U.S. Cl.**
USPC **D7/395**

(58) **Field of Classification Search**
USPC D7/393-396, 387, 323, 354, 360-361,
D7/402, 533-536, 401.2; D8/300, 303,
D8/307, 313, 321; D12/178

CPC A47J 45/071; A47J 45/072; A47J 45/074;
A47J 45/07; A47J 45/00; A47J 45/06;
A47J 45/061; A47J 45/062; A47J 45/063;
B65D 25/2802; B65D 25/2882

See application file for complete search history.

(56) **References Cited**

U.S. PATENT DOCUMENTS

D497,771 S * 11/2004 Thomkins D7/395
D567,579 S * 4/2008 Rae D7/395

D575,982 S * 9/2008 Rae D7/395
D578,345 S * 10/2008 Rae D7/395
D580,703 S * 11/2008 Devries D7/393
D598,705 S * 8/2009 Tetreault D7/395
D672,194 S * 12/2012 Rae D7/395
D705,003 S * 5/2014 Rae D7/395
D730,114 S * 5/2015 Barberi D7/395

* cited by examiner

Primary Examiner — Sheryl Lane

Assistant Examiner — Nicole C Shiflet

(74) *Attorney, Agent, or Firm* — Notaro, Michalos & Zaccaria P.C.

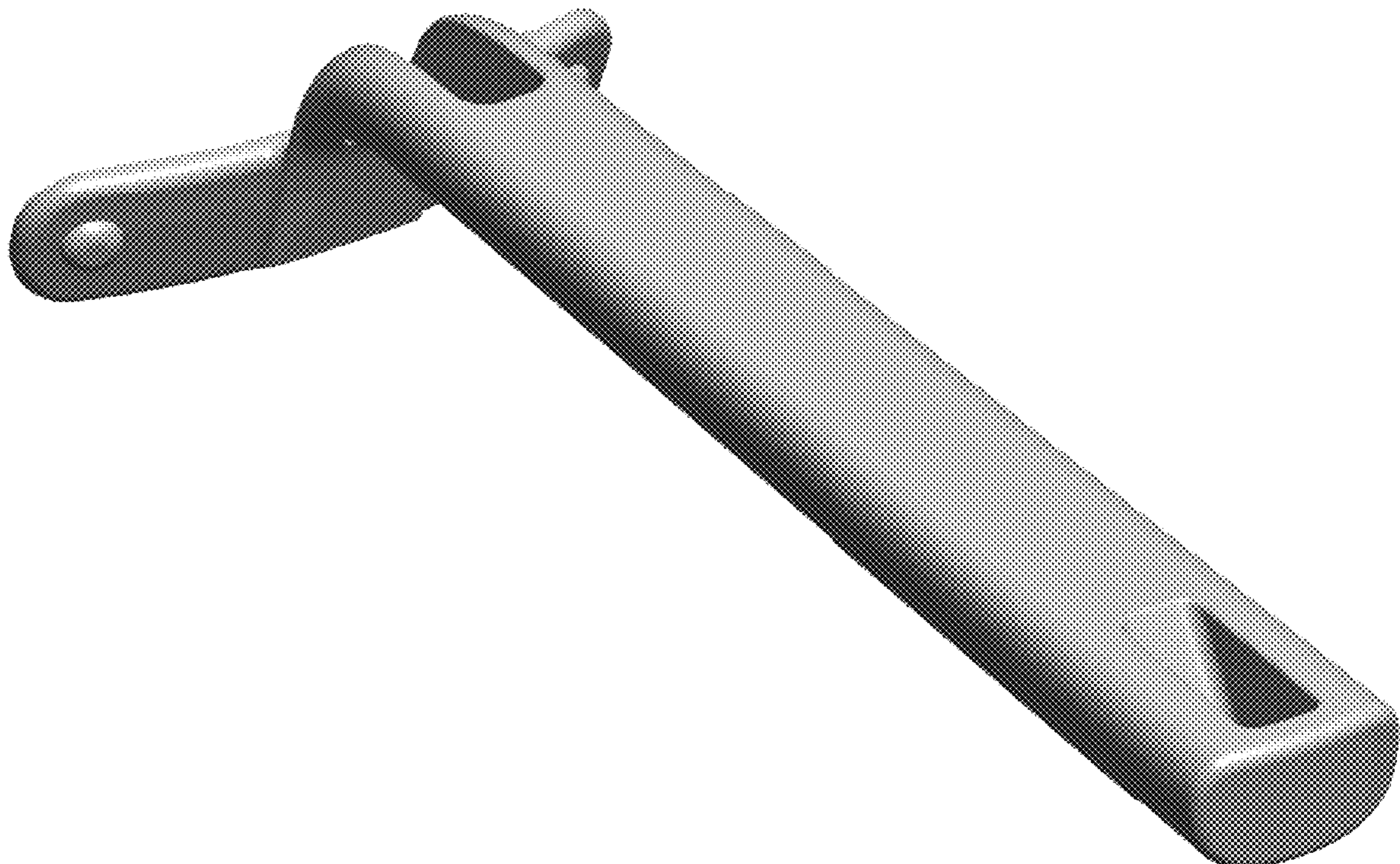
(57) **CLAIM**

The ornamental design for a cookware handle, as shown and described.

DESCRIPTION

FIG. 1 is a top, front perspective view of a cookware handle showing our design therefor;
FIG. 2 is a top plan view thereof;
FIG. 3 is a left side elevational view thereof;
FIG. 4 is a bottom plan view thereof.
FIG. 5 is a front elevational view thereof; and,
FIG. 6 is a rear elevational view thereof.

1 Claim, 1 Drawing Sheet



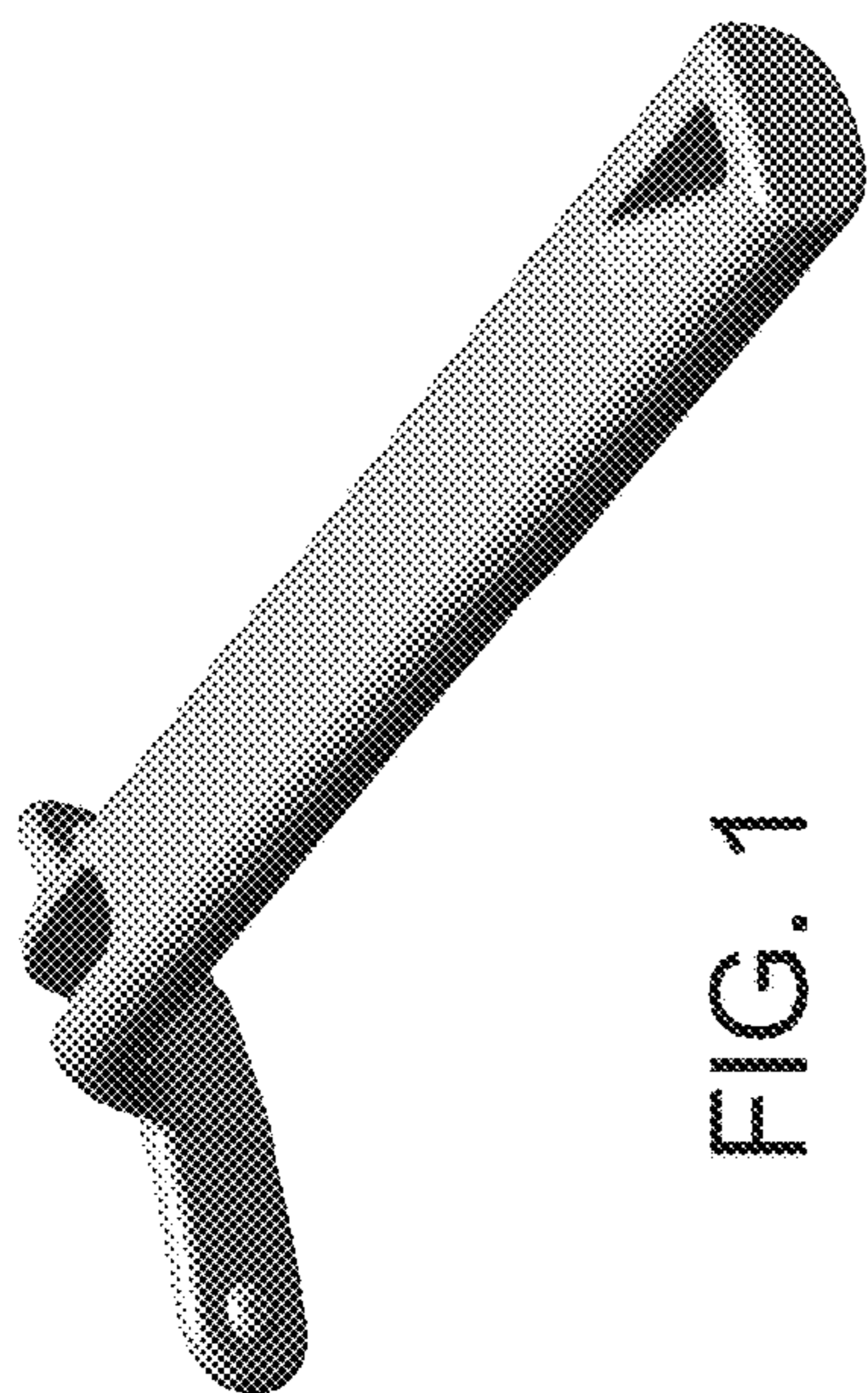


FIG. 1

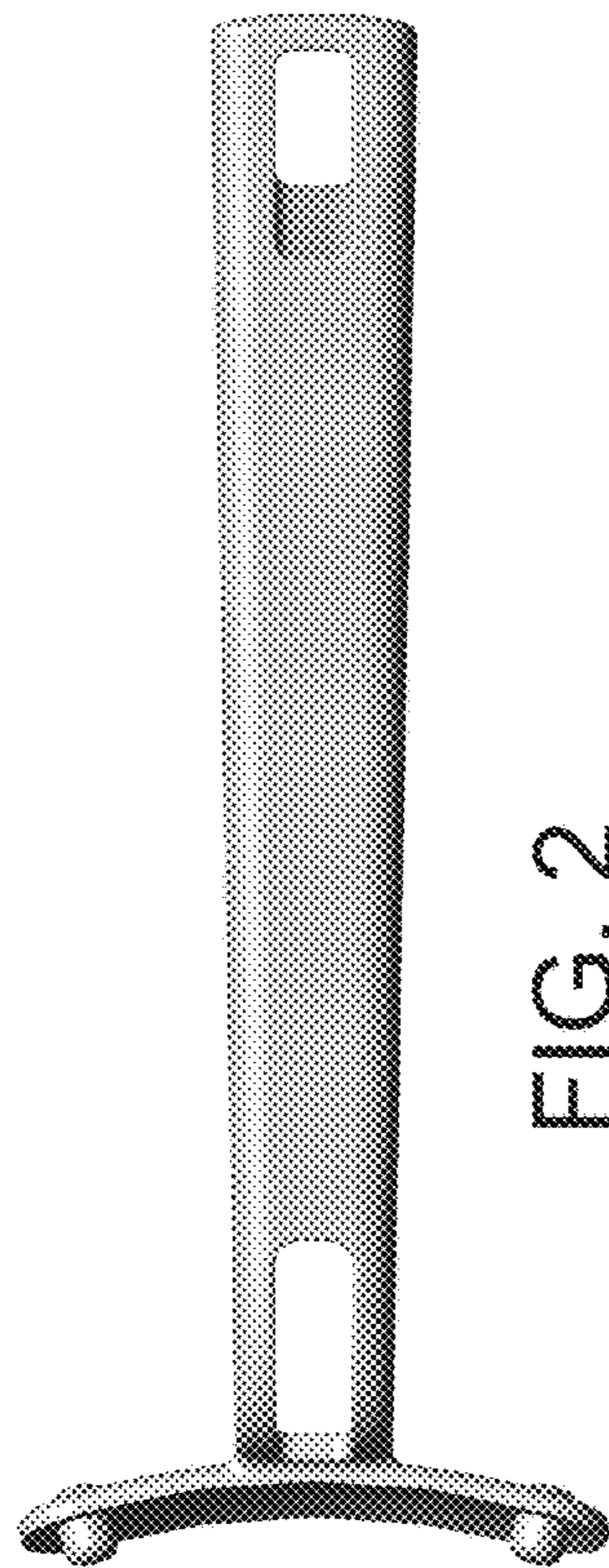


FIG. 2

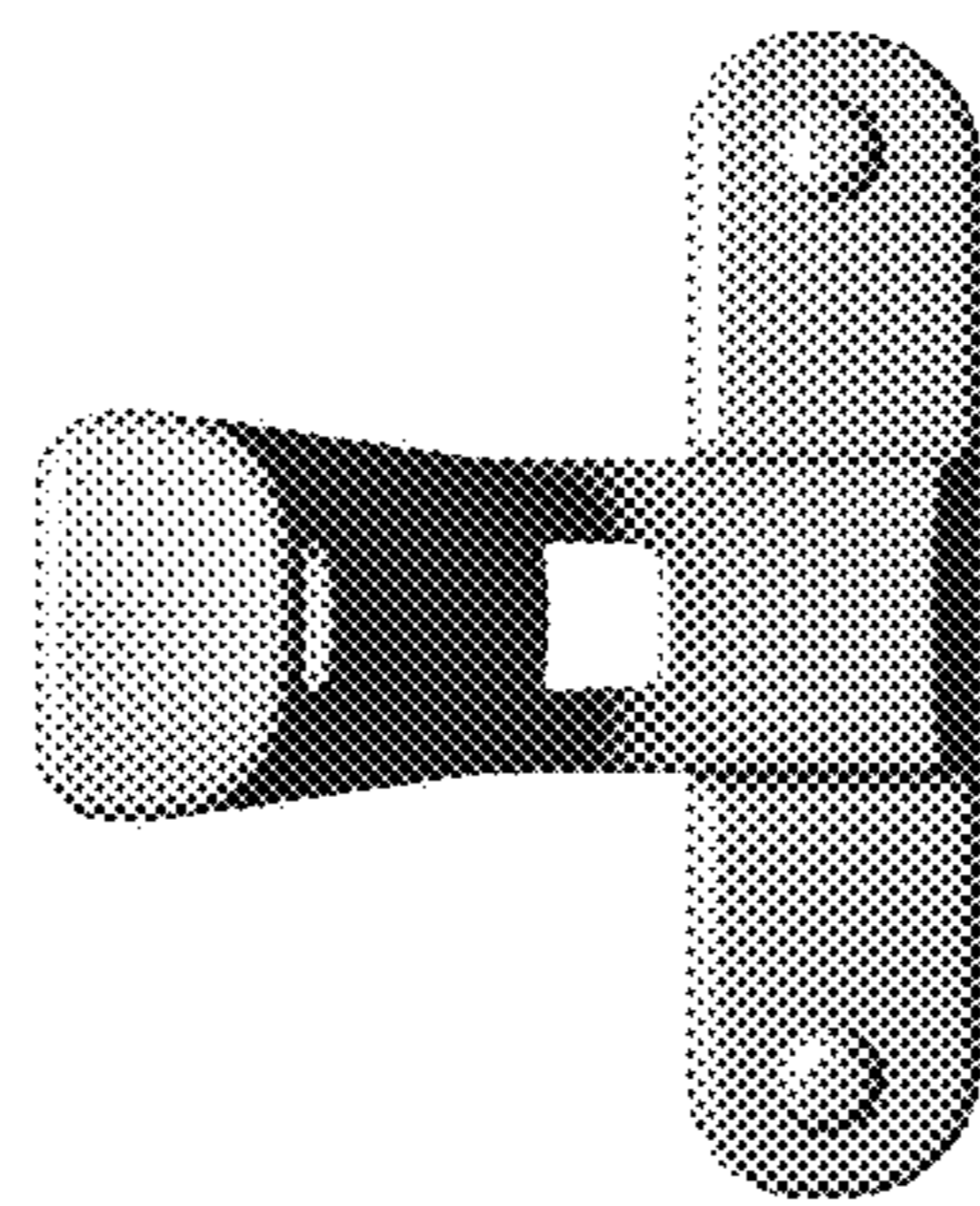


FIG. 5

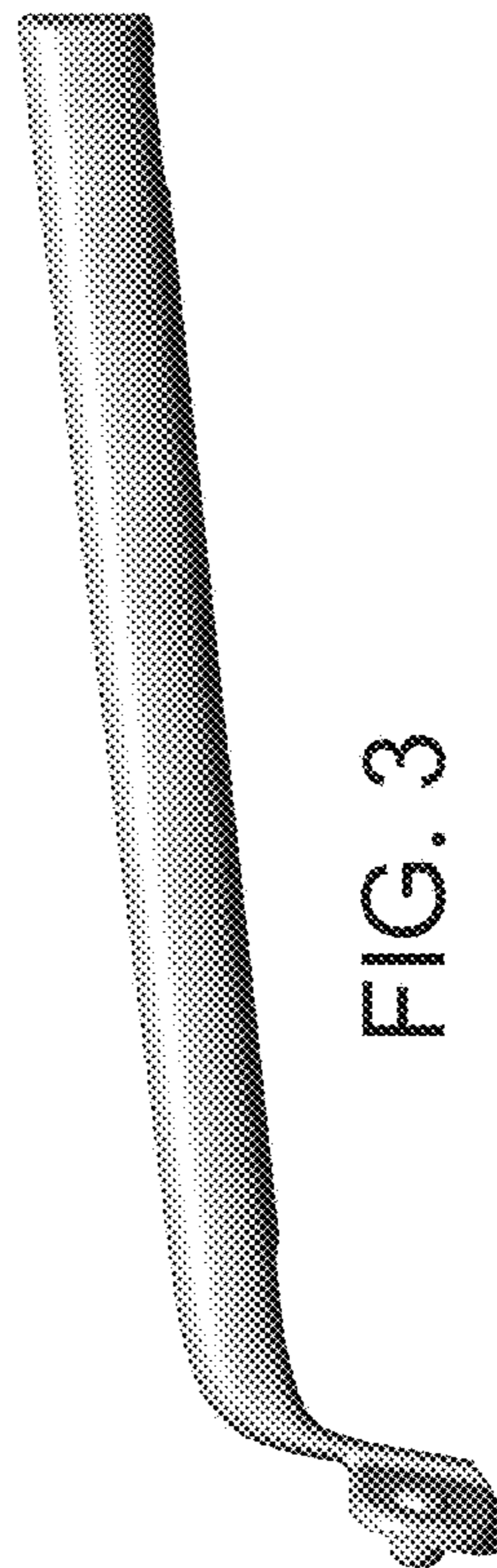


FIG. 3

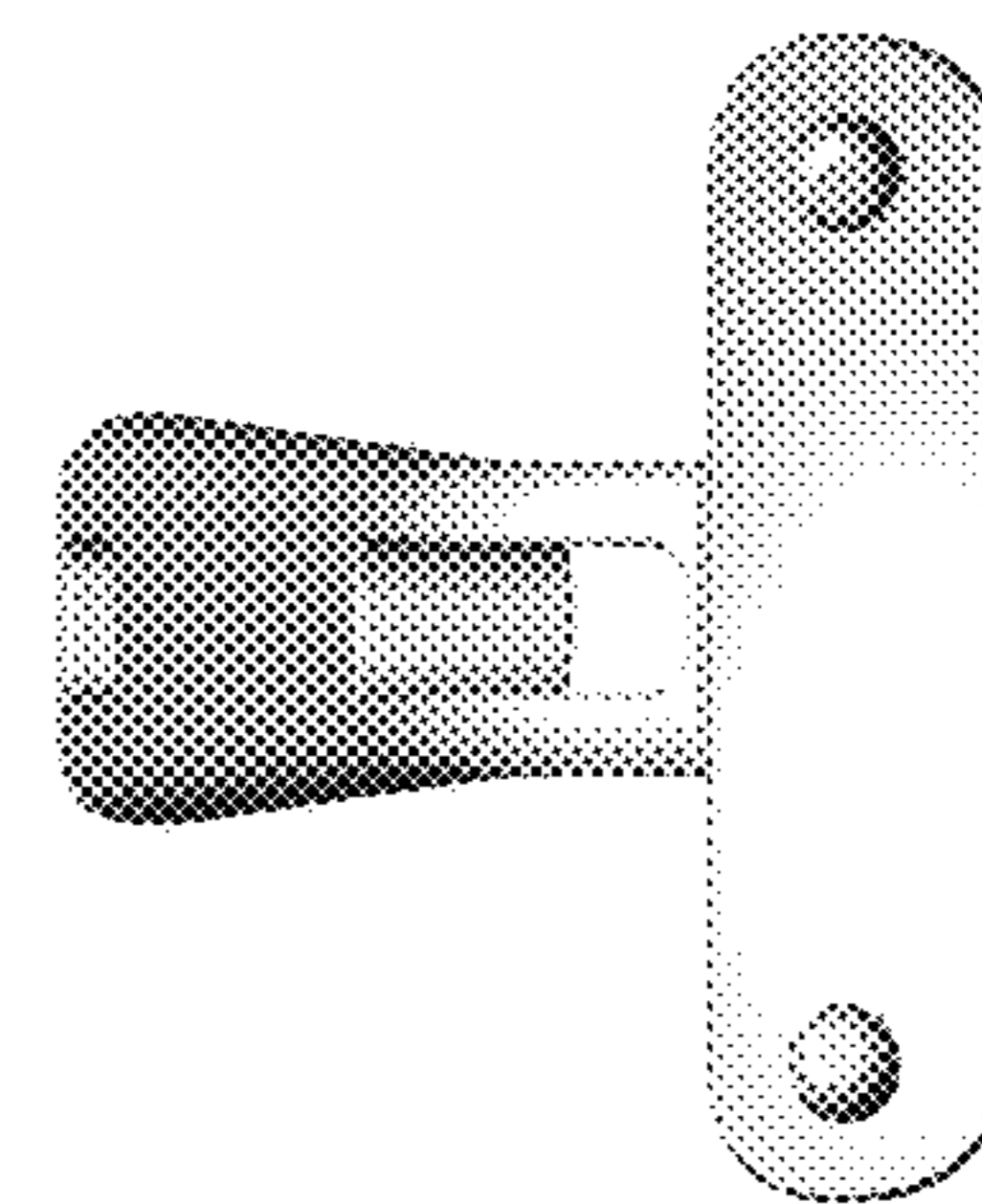


FIG. 6

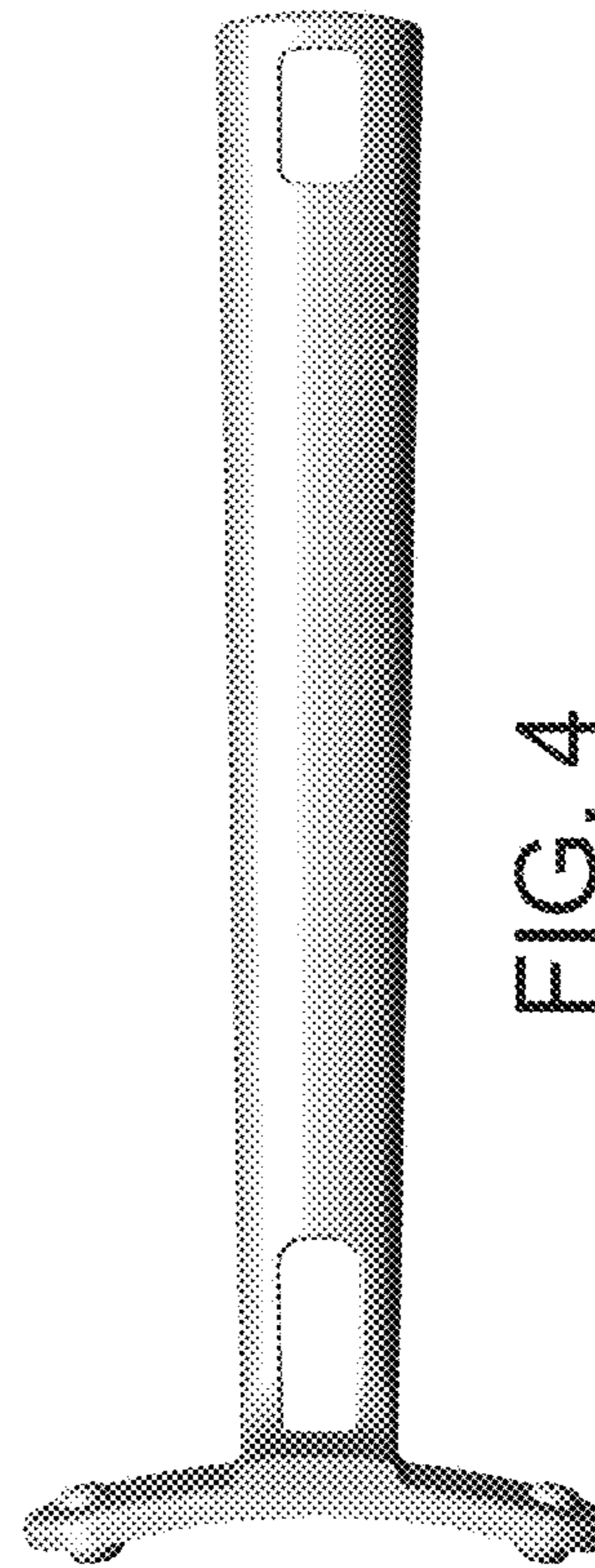


FIG. 4