



US00D948931S

(12) **United States Design Patent**
Benishai

(10) **Patent No.:** **US D948,931 S**
(45) **Date of Patent:** **** Apr. 19, 2022**

(54) **KITCHEN UTENSIL HANDLE**

(71) Applicant: **Alon Benishai**, Brooklyn, NY (US)

(72) Inventor: **Alon Benishai**, Brooklyn, NY (US)

(**) Term: **15 Years**

(21) Appl. No.: **29/666,745**

(22) Filed: **Oct. 16, 2018**

(51) **LOC (13) Cl.** **07-99**

(52) **U.S. Cl.**
USPC **D7/395**

(58) **Field of Classification Search**
USPC D7/354-361, 393, 395, 401.2, 664;
D8/107, 300, 303, 307, 313, 321;
D4/138
CPC .. B25G 1/10; B25G 1/102; A47J 36/00; A47J
45/06; A47J 45/07; A47J 45/071
See application file for complete search history.

(56) **References Cited**

U.S. PATENT DOCUMENTS

D424,869 S *	5/2000	Chau	D7/395
D557,980 S *	12/2007	de Bretton Gordon	D7/401.2
D650,219 S *	12/2011	Lu	D7/401.2
D751,862 S *	3/2016	deBretton Gordon	D7/401.2
D791,539 S *	7/2017	Rose	D7/401.2
D791,540 S *	7/2017	Rose	D7/401.2
2003/0035693 A1 *	2/2003	Chalfant	C23F 1/04 407/29.1

* cited by examiner

Primary Examiner — Andrew Kerr

(74) *Attorney, Agent, or Firm* — Wood Herron & Evans LLP

(57) **CLAIM**

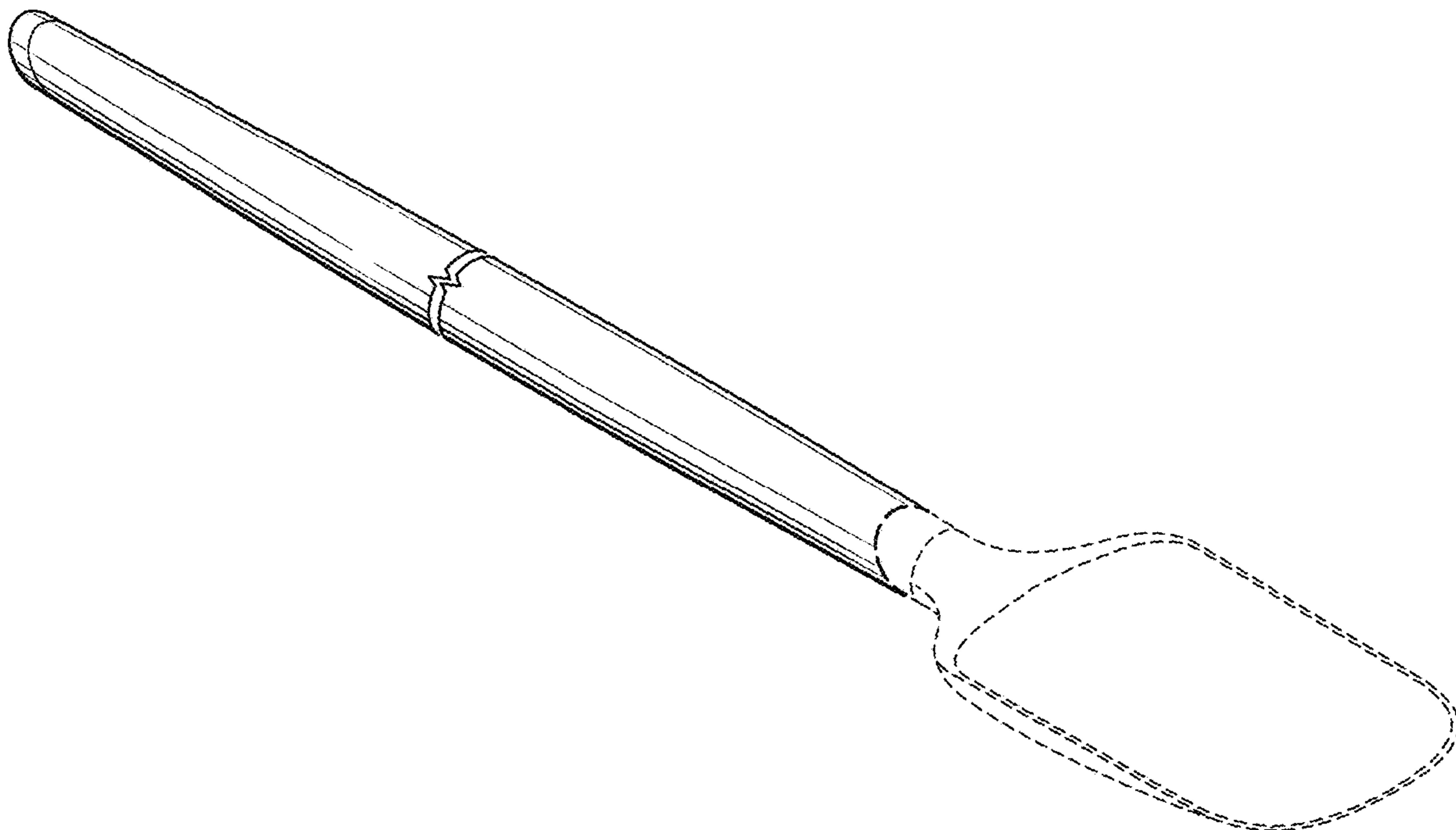
The ornamental design for a kitchen utensil handle, as shown and described.

DESCRIPTION

FIG. 1 is a front left perspective view of a kitchen utensil handle, showing my new design;
FIG. 2 is an enlarged rear right perspective view thereof;
FIG. 3 is a front view thereof;
FIG. 4 is a rear view thereof;
FIG. 5 is a left side view, the right-side view being a mirror image thereof;
FIG. 6 is a top view thereof; and
FIG. 7 is a bottom view thereof.
FIG. 8 is a front view of an alternative embodiment of the kitchen utensil handle according to the present invention;
FIG. 9 is a rear view thereof;
FIG. 10 is a left side view, the right-side view being a mirror image thereof;
FIG. 11 is a top view thereof; and,
FIG. 12 is a bottom view thereof.

The broken lines illustrating the utensil end portion in the drawing views is for the purpose of illustrating environment and forms no part of the claimed design. The remainder of the broken lines in the drawing views define the bounds of the claimed design and form no part thereof.
The kitchen utensil is shown with a symbolic break in its length. The appearance of any portion of the article between the break lines forms no part of the claimed design.

1 Claim, 3 Drawing Sheets



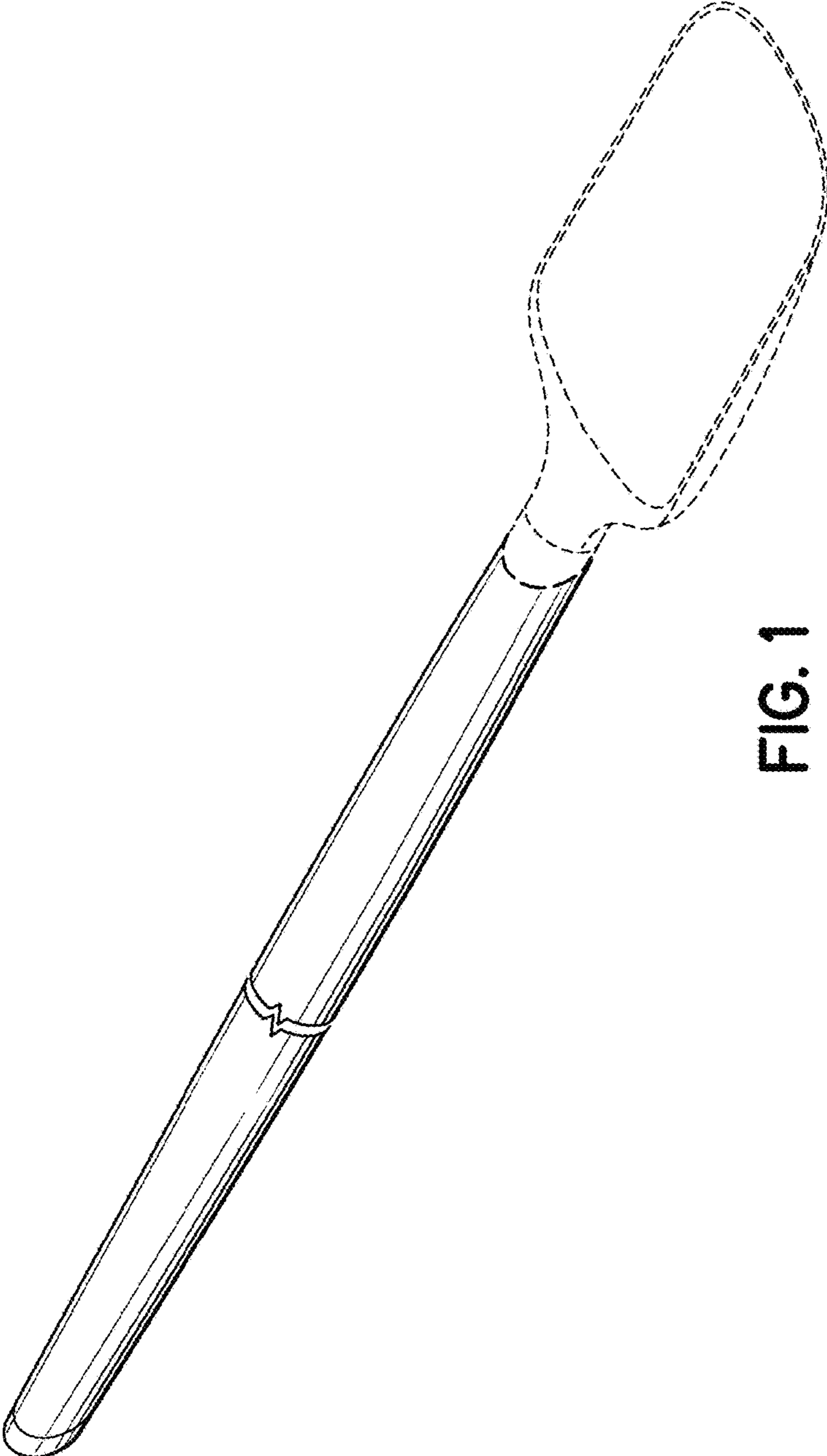


FIG. 1

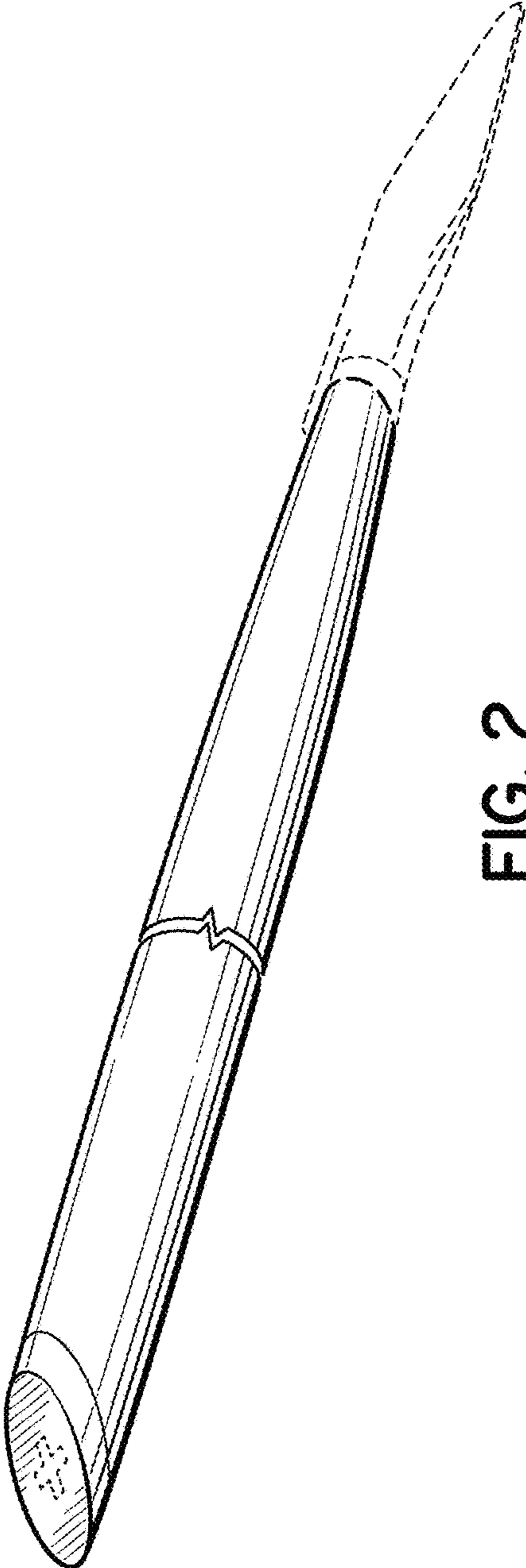


FIG. 2



FIG. 3



FIG. 4

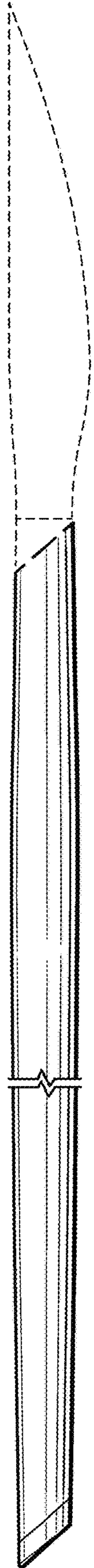


FIG. 5

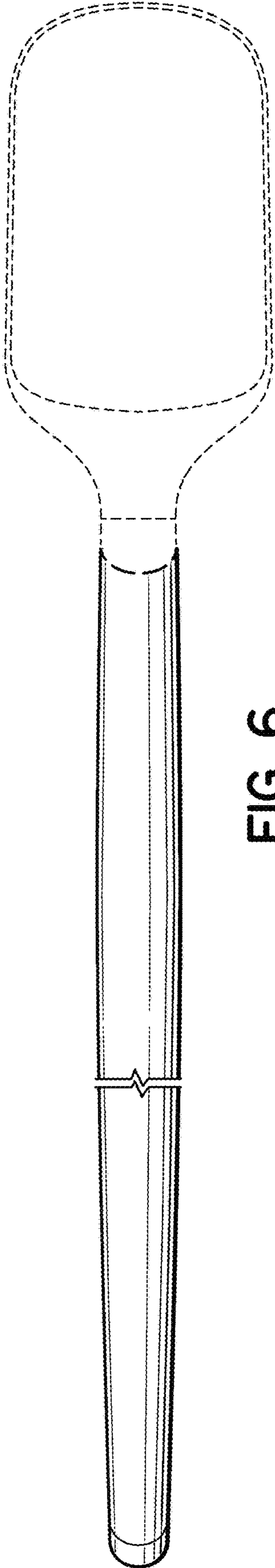


FIG. 6

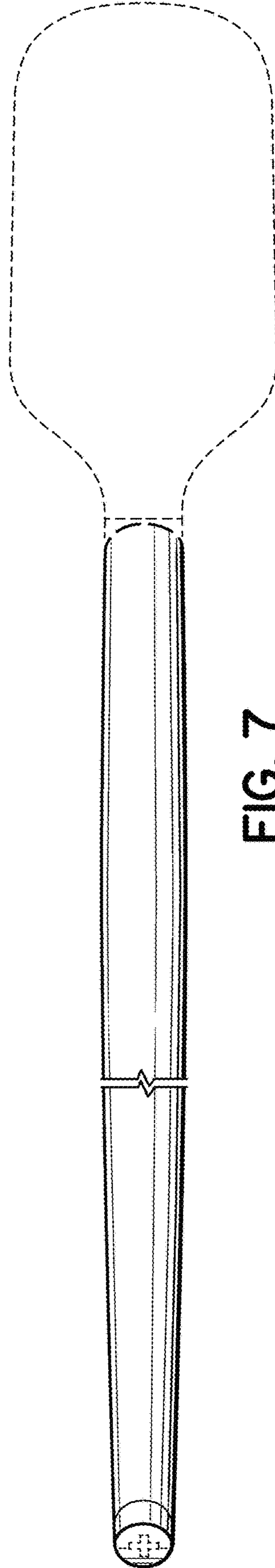


FIG. 7

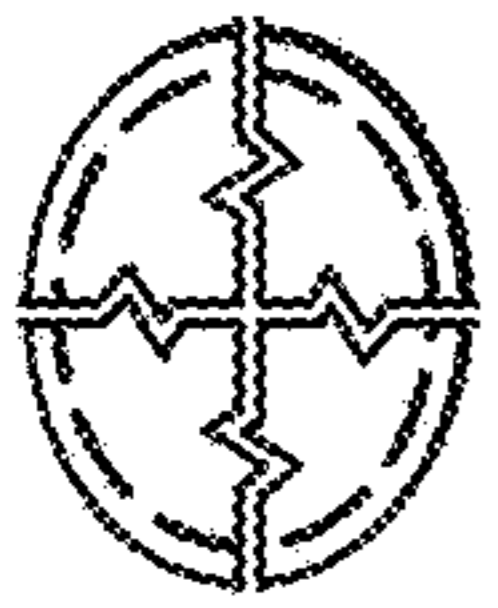


FIG. 8

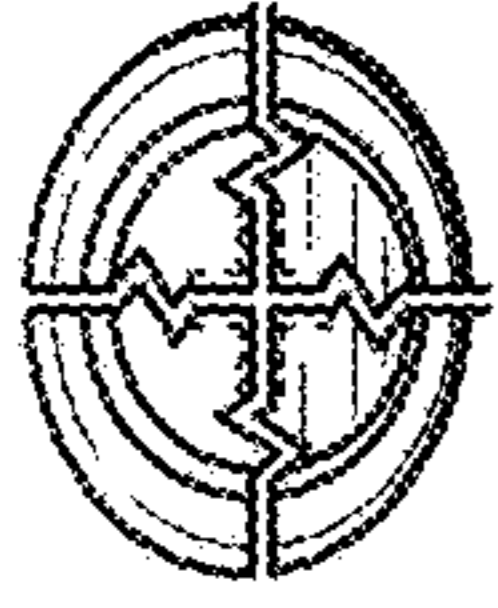


FIG. 9

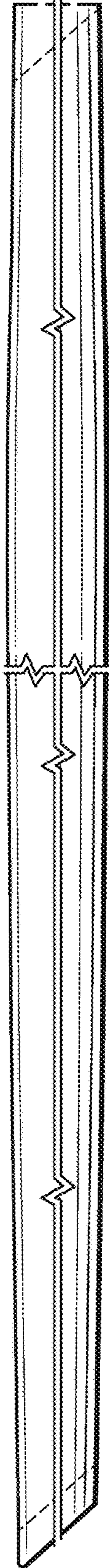


FIG. 10

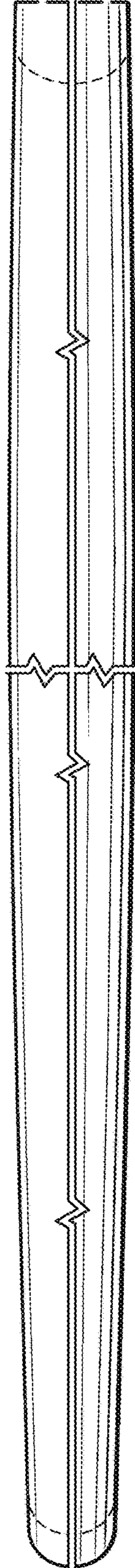


FIG. 11

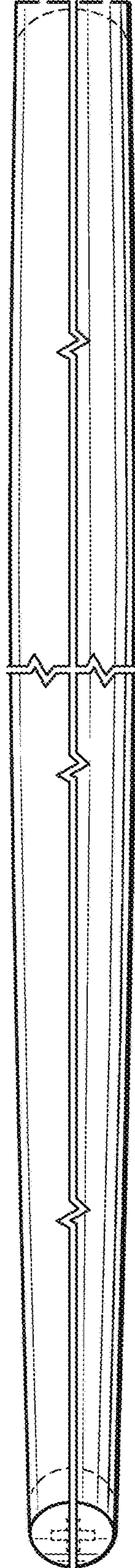


FIG. 12