



US00D948929S

(12) **United States Design Patent**
Zhang

(10) **Patent No.:** **US D948,929 S**

(45) **Date of Patent:** **** Apr. 19, 2022**

(54) **LID**

(71) Applicant: **THINK GREEN LIMITED**, Auckland (NZ)

(72) Inventor: **Shu Ting Zhang**, Hubei (CN)

(73) Assignee: **THINK GREEN LIMITED**, Auckland (NZ)

(**) Term: **15 Years**

(21) Appl. No.: **29/786,970**

(22) Filed: **Jun. 3, 2021**

(30) **Foreign Application Priority Data**

Apr. 1, 2021 (CN) 202130183152.0

(51) **LOC (13) Cl.** **07-09**

(52) **U.S. Cl.**
USPC **D7/392.1**

(58) **Field of Classification Search**
USPC D7/300, 306, 365, 376, 392, 392.1,
D7/396.2, 507, 509, 511, 607, 665, 666;
D9/434, 435, 439, 440, 443, 450;
D24/108

CPC A47G 19/2272; B65D 43/0225
See application file for complete search history.

(56) **References Cited**

U.S. PATENT DOCUMENTS

D404,646 S *	1/1999	Black, Sr.	D9/446
D437,782 S *	2/2001	Haley	D9/440
D487,227 S *	3/2004	Haley	D9/434
D643,722 S *	8/2011	Gorskey	D9/446
D741,176 S *	10/2015	Bell	D9/446
D758,789 S *	6/2016	Moore	D9/449

D764,232 S	8/2016	Marina et al.	
D802,743 S *	11/2017	Davis D9/434
D813,668 S	3/2018	Miller	
D820,085 S *	6/2018	Moore D9/449
D877,884 S	3/2020	Davis et al.	
D894,670 S *	9/2020	Adams, Jr. D7/392.1
D899,250 S *	10/2020	Yang D9/440
D913,746 S	3/2021	Nichols et al.	
D933,203 S *	10/2021	Zhang D24/121
2005/0184026 A1 *	8/2005	Haley B65D 47/141 222/484
2007/0108153 A1 *	5/2007	Weist B65D 47/36 215/215

FOREIGN PATENT DOCUMENTS

CA	187854	6/2020
EM	008030043-0005	7/2020

* cited by examiner

Primary Examiner — S. Bryan Reinholdt, Jr.

(74) *Attorney, Agent, or Firm* — Dragon Sun Law Firm, PC; Jinggao Li, Esq.

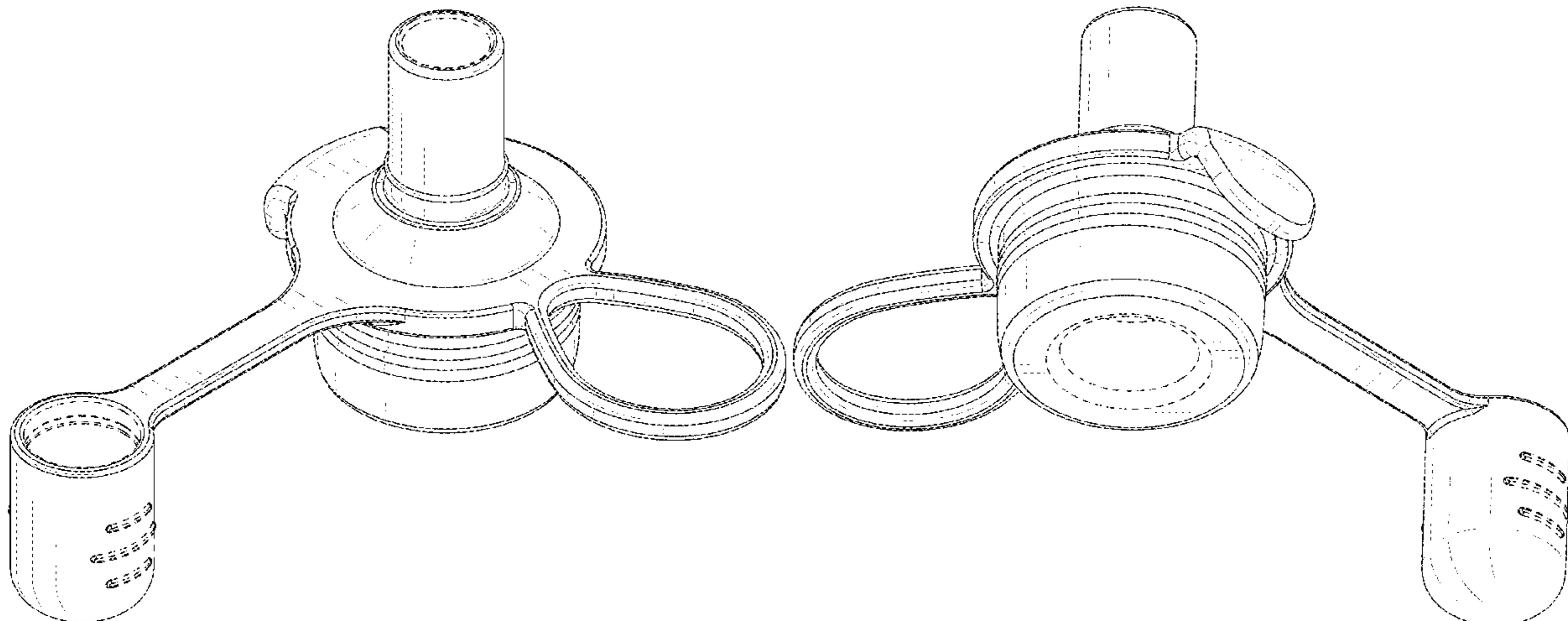
(57) **CLAIM**

The ornamental design for a lid, as shown and described.

DESCRIPTION

FIG. 1 is a perspective view of a lid showing my new design; FIG. 2 is another perspective view thereof; FIG. 3 is a front elevation view thereof; FIG. 4 is a rear elevation view thereof; FIG. 5 is a left elevation view thereof; FIG. 6 is a right elevation view thereof; FIG. 7 is a top plan view thereof; and, FIG. 8 is a bottom plan view thereof. The broken lines shown in the figures depict portions of the lid that form no part of the claimed design.

1 Claim, 8 Drawing Sheets



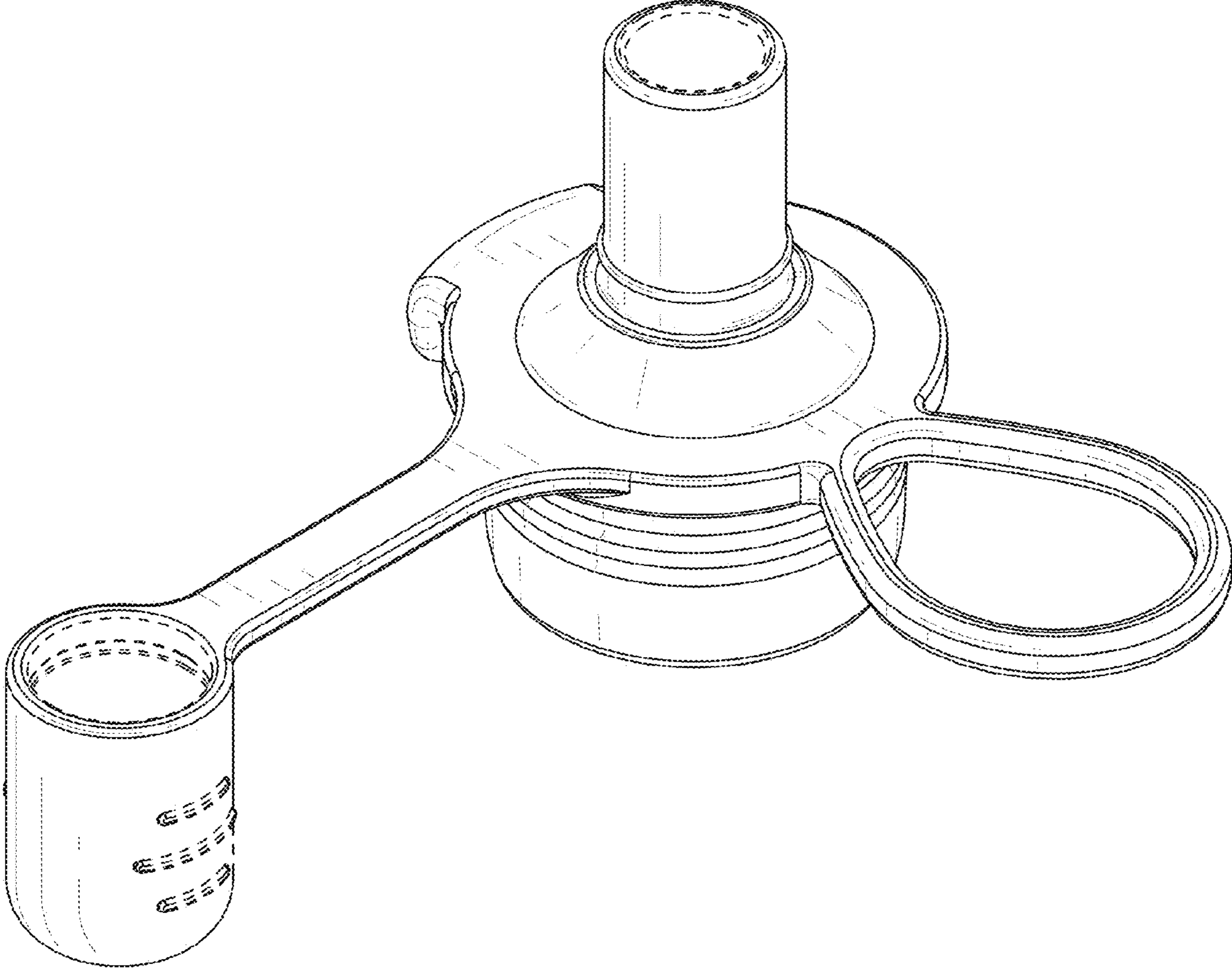


FIG.1

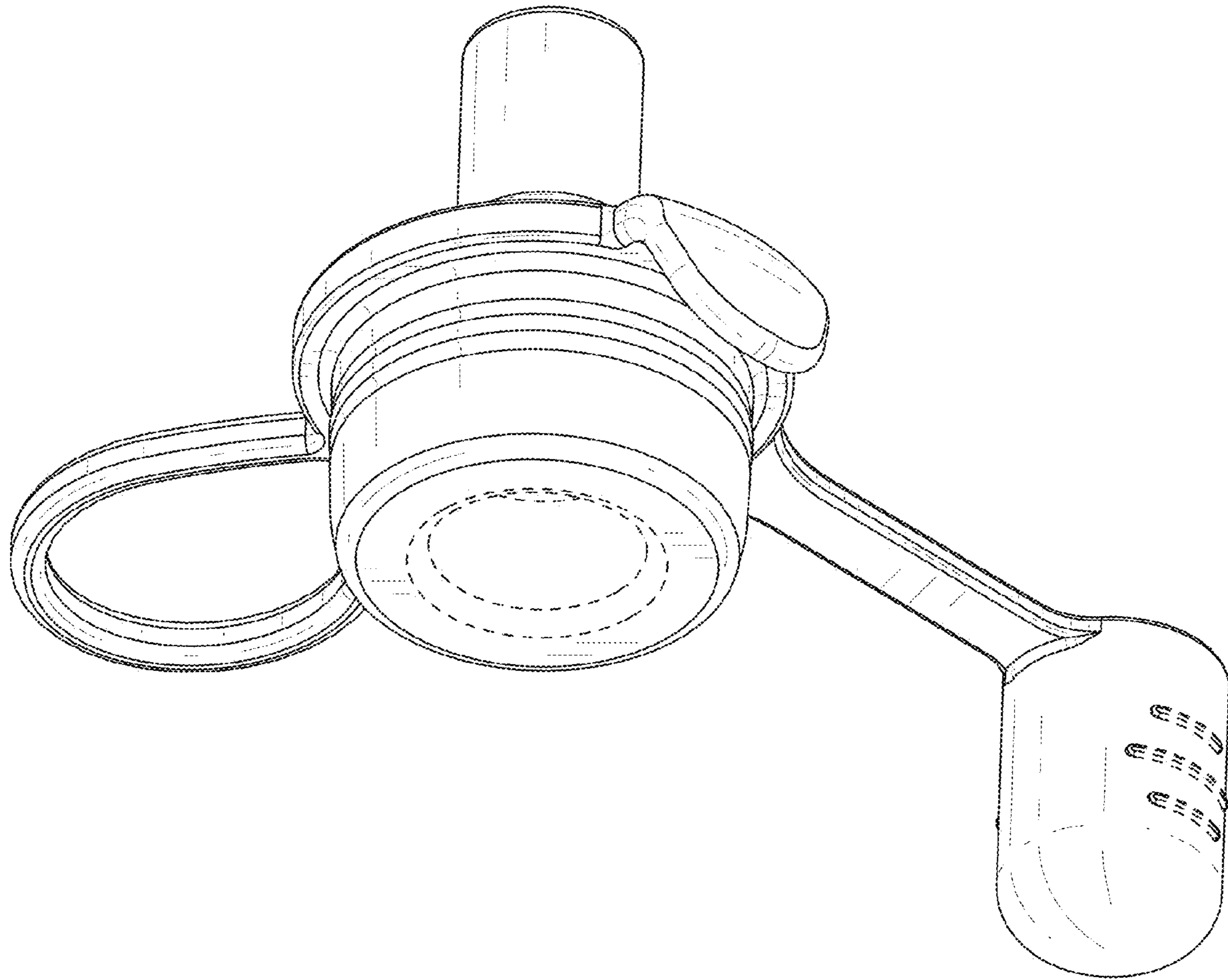


FIG.2

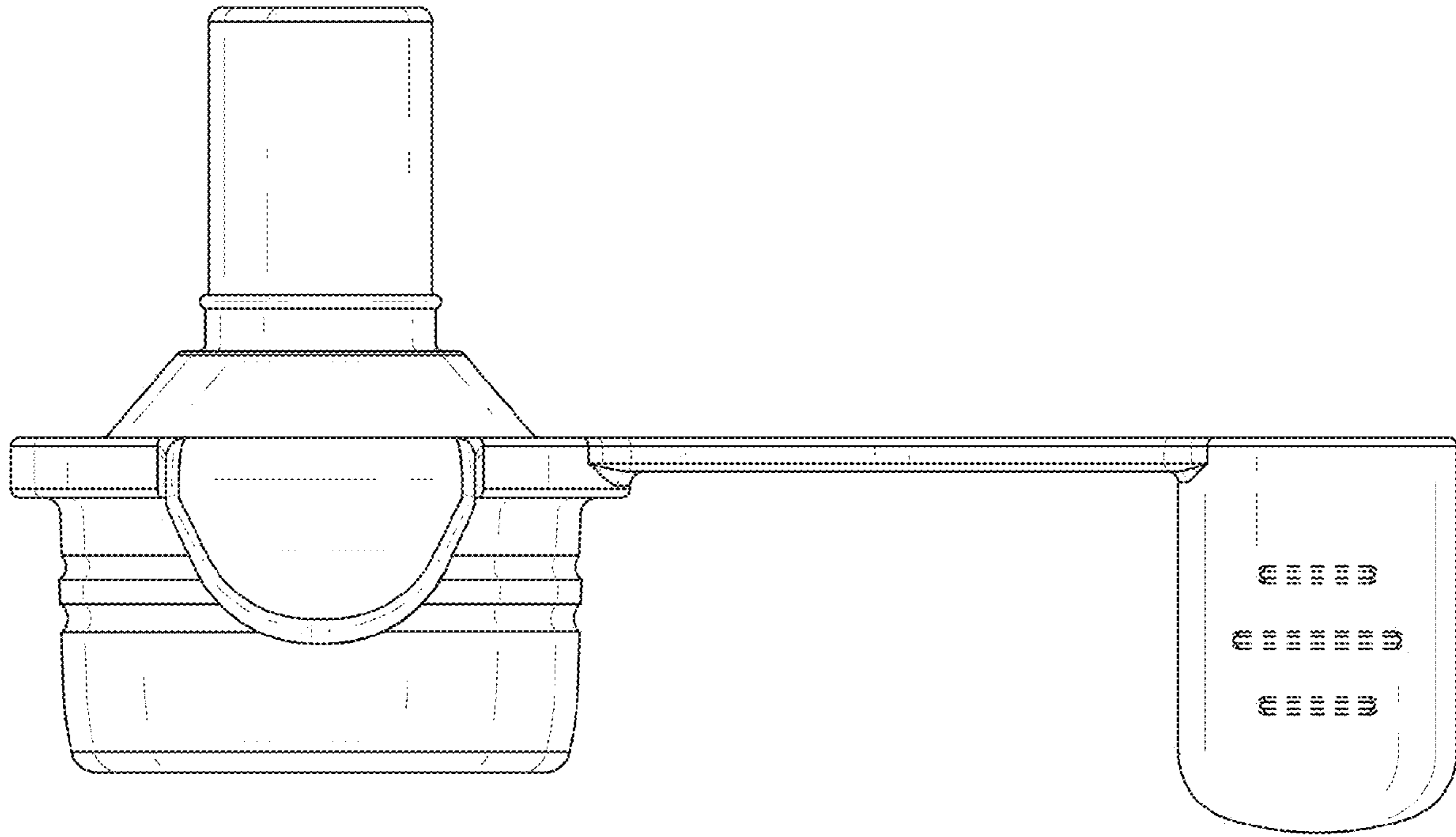


FIG.3

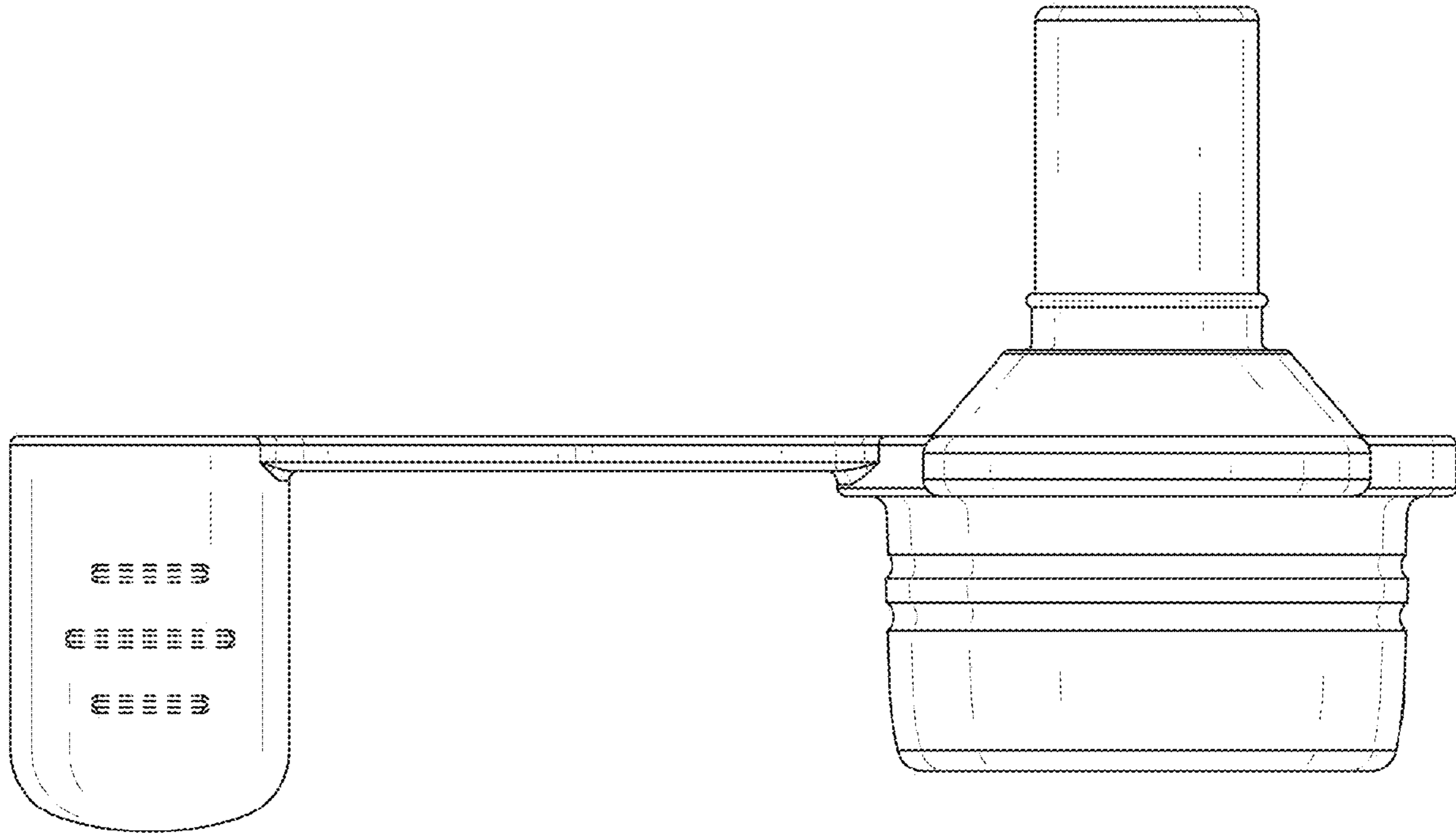


FIG.4

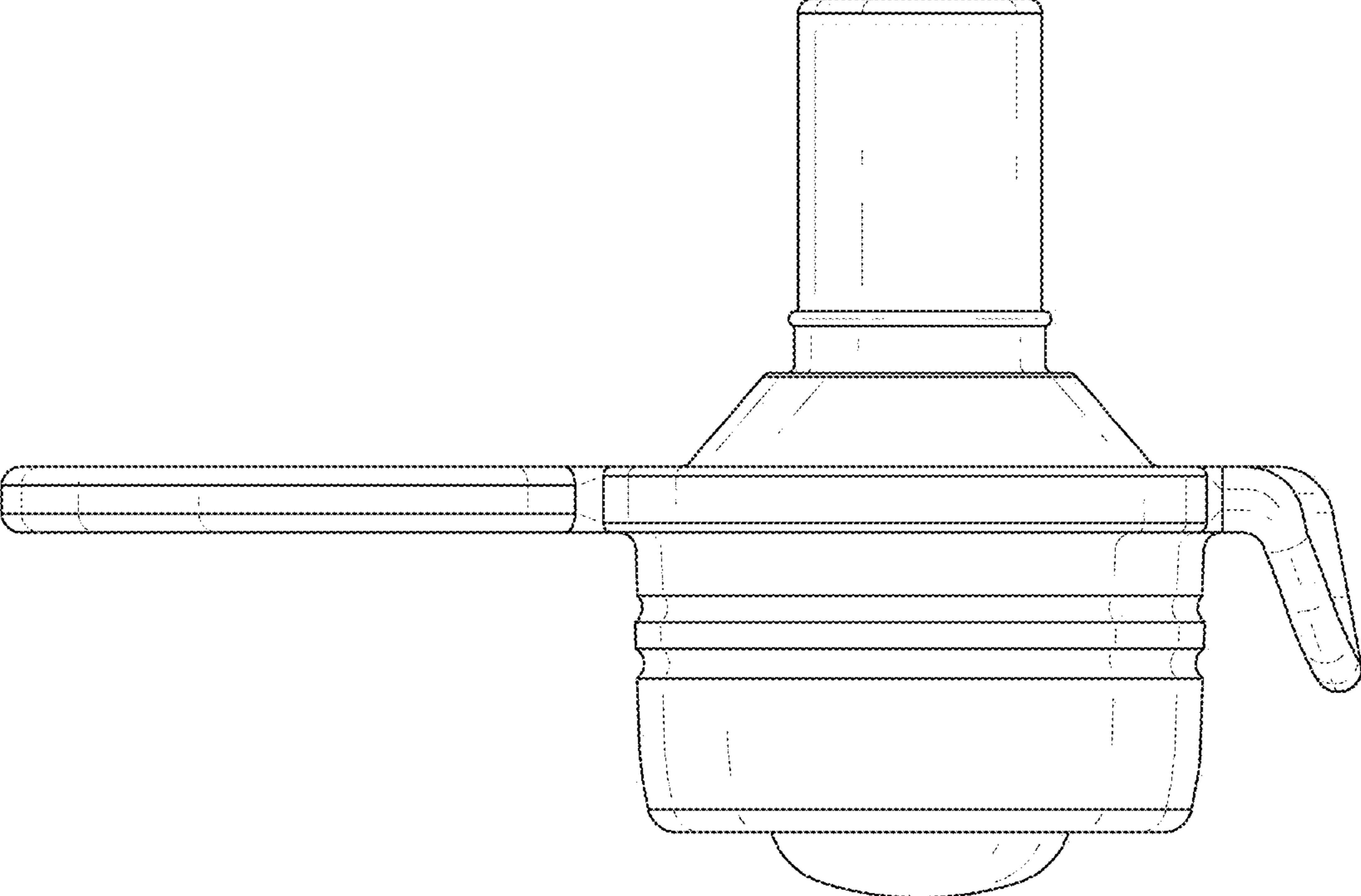


FIG.5

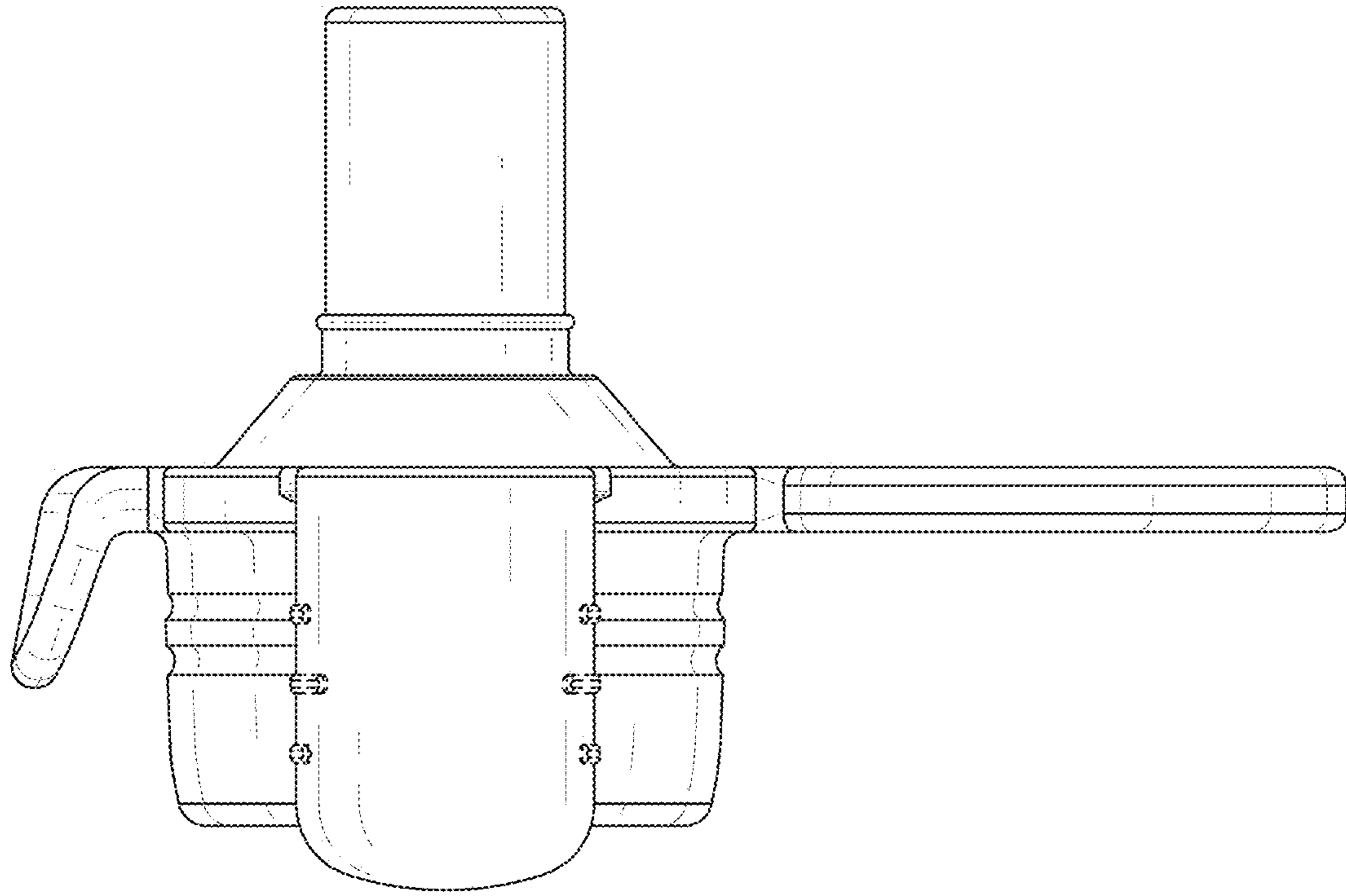


FIG.6

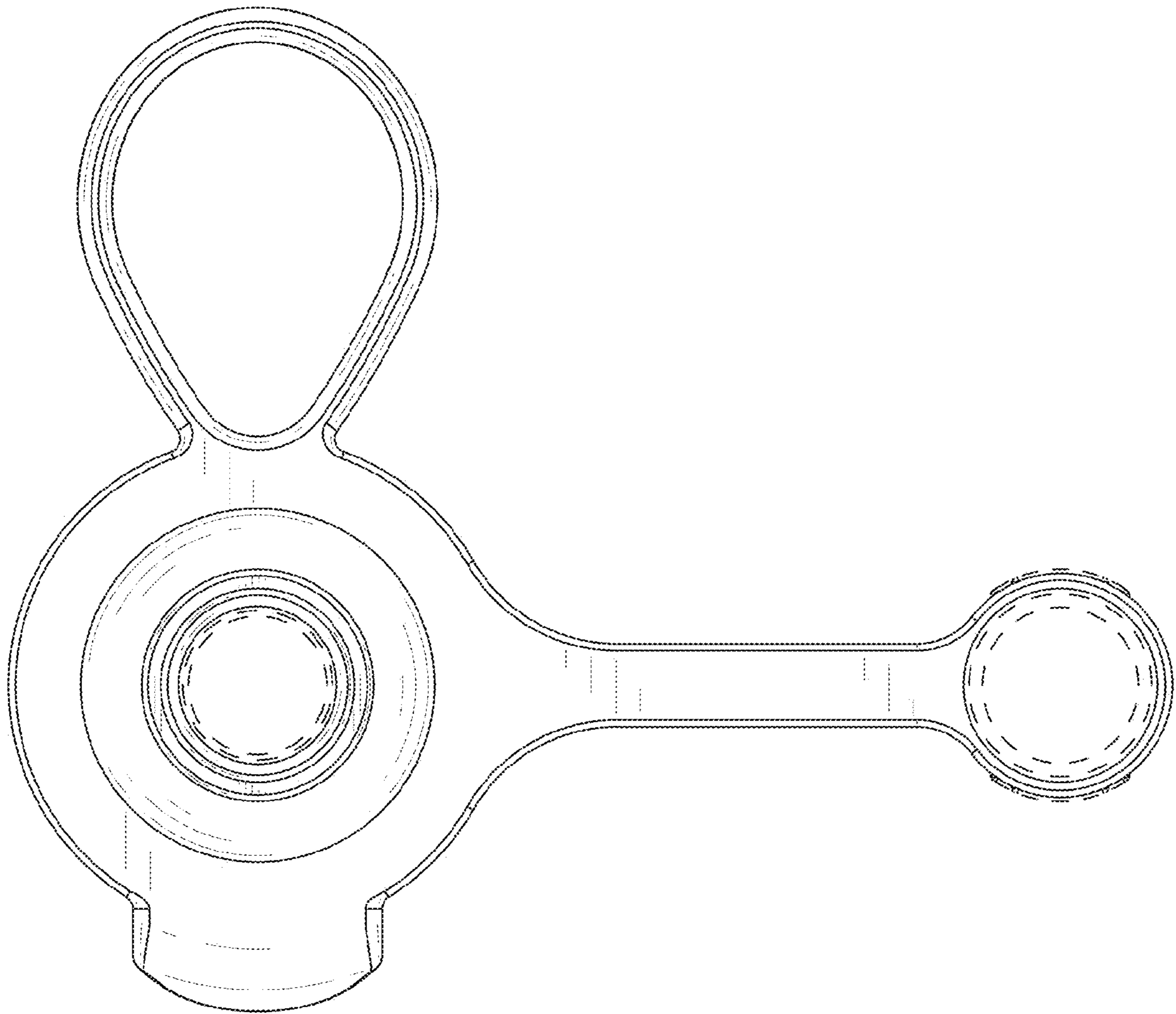


FIG.7

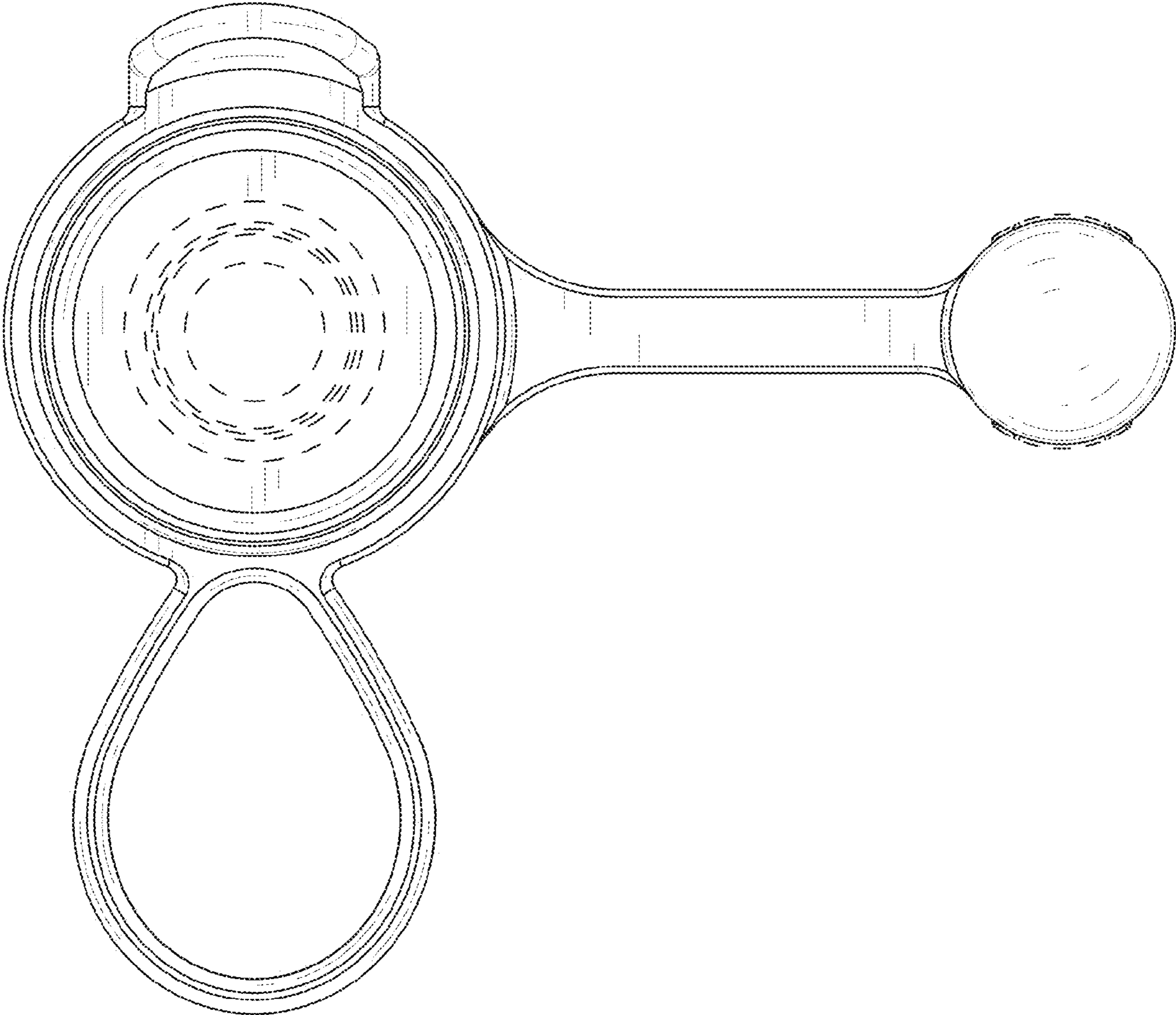


FIG.8