



US00D948926S

(12) **United States Design Patent** (10) **Patent No.:** **US D948,926 S**
McConnell et al. (45) **Date of Patent:** **** Apr. 19, 2022**

(54) **ELECTRIC MIXER**

4/142; B02C 4/143; B02C 4/423; B02C 13/1835; B28C 5/10; B28C 5/12; B28C 5/14; B28C 5/16

(71) Applicant: **WHIRLPOOL CORPORATION**,
Benton Harbor, MI (US)

See application file for complete search history.

(72) Inventors: **John W. McConnell**, St. Joseph, MI (US); **Yifan Wang**, St. Joseph, MI (US); **Wenkai Wu**, Aurora, IL (US)

(56) **References Cited**

U.S. PATENT DOCUMENTS

2,552,972 A 5/1951 Jepson
D170,884 S 11/1953 Morgan
D173,624 S 12/1954 Madl et al.

(Continued)

(73) Assignee: **Whirlpool Corporation**, Benton Harbor, MI (US)

(**) Term: **15 Years**

FOREIGN PATENT DOCUMENTS

(21) Appl. No.: **29/814,770**

EP 2488288 A1 8/2012
WO 2015022169 A1 2/2015

(22) Filed: **Nov. 9, 2021**

OTHER PUBLICATIONS

Related U.S. Application Data

Elegear Lightweight Electric Hand Mixer. Date First Available on Amazon.com Dec. 23, 2020. <https://www.amazon.com/dp/B08R6YKLRG/ref> (Year: 2020).*

(63) Continuation of application No. 29/795,251, filed on Jun. 17, 2021, now Pat. No. Des. 938,222, which is a continuation of application No. 29/764,410, filed on Dec. 30, 2020, now Pat. No. Des. 925,970, which is a continuation of application No. 29/741,998, filed on Jul. 17, 2020, now Pat. No. Des. 911,096, which is a continuation of application No. 29/682,091, filed on Mar. 1, 2019, now Pat. No. Des. 892,539.

(Continued)

Primary Examiner — Ricky Pham

(74) *Attorney, Agent, or Firm* — Price Heneveld LLP

(51) **LOC (13) Cl.** **31-00**

(57) **CLAIM**

(52) **U.S. Cl.**

The ornamental design for an electric mixer, as shown and described.

USPC **D7/379**; D7/376

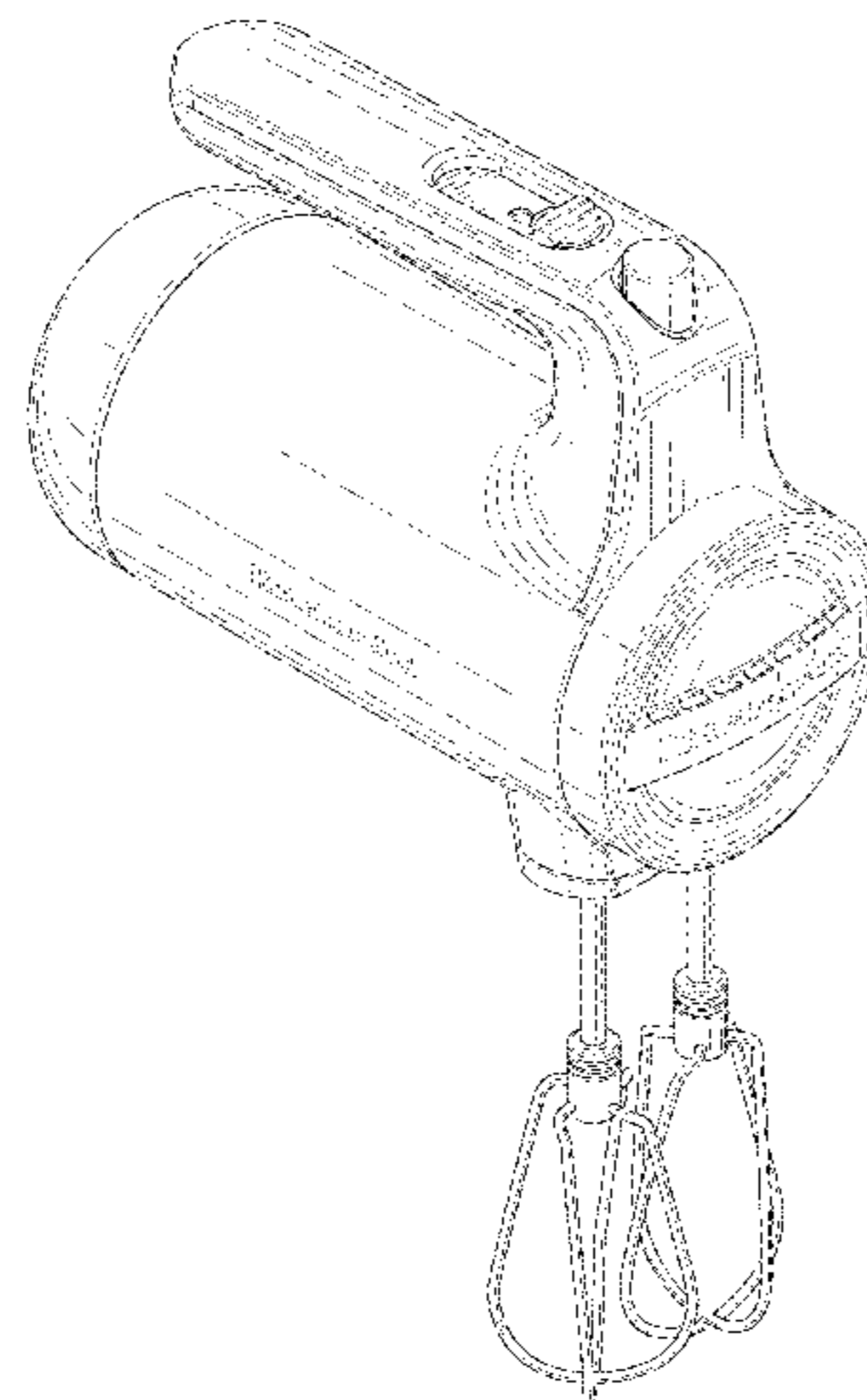
(58) **Field of Classification Search**

DESCRIPTION

USPC D7/372, 376–386, 412–413, 602, 629, D7/665–666, 669, 679, 693–694
CPC A21C 1/02; A21C 1/04; A23N 1/00; A23N 1/02; A47J 43/00; A47J 43/04; A47J 43/25; A47J 43/27; A47J 43/042; A47J 43/044; A47J 43/046; A47J 43/07; A47J 43/075; A47J 43/0722; A47J 43/0727; B01F 3/00; B01F 3/0807; B01F 3/0853; B01F 13/0059; B01F 13/0064; B02C 1/08; B02C 2/04; B02C 4/42; B02C

FIG. 1 is a perspective view of an electric mixer according to the design;
FIG. 2 is a front elevation view thereof;
FIG. 3 is a back elevation view thereof;
FIG. 4 is a right side elevation view thereof;
FIG. 5 is a left side elevation view thereof;
FIG. 6 is a top plan view thereof; and,
FIG. 7 is a bottom plan view thereof.

(Continued)



The portions of the article shown in broken line form no part of the claimed design.

1 Claim, 7 Drawing Sheets

(56)

References Cited

U.S. PATENT DOCUMENTS

D174,117 S * 3/1955 Ernest D7/379
 D178,266 S 7/1956 Swann
 D178,543 S 8/1956 Lahr
 D182,885 S * 5/1958 Ernest D7/379
 3,187,366 A 6/1965 Fant
 D204,408 S 4/1966 Fischer
 3,275,051 A * 9/1966 Jepson A47J 43/07
 99/502
 3,280,351 A 10/1966 Wolter et al.
 3,333,824 A * 8/1967 Jepson A47J 44/00
 366/344
 D208,805 S * 10/1967 De Fano D7/379
 D210,682 S 4/1968 De Fano et al.
 D219,671 S * 1/1971 Levin D7/379
 3,904,178 A * 9/1975 Scott A47J 43/044
 366/199
 D255,760 S 7/1980 Ernest et al.
 4,277,181 A 7/1981 Stahly et al.
 4,568,193 A 2/1986 Contri et al.
 D329,165 S 9/1992 Doggett
 D329,166 S 9/1992 Doggett
 D336,405 S 6/1993 Maass
 D337,667 S 7/1993 Lovett
 D362,783 S 10/1995 Cruz
 D367,400 S 2/1996 Viemeister et al.
 D384,549 S * 10/1997 Cesaroni D7/379
 D387,244 S 12/1997 Ivy et al.
 D392,505 S 3/1998 Tanaka et al.
 D395,572 S 6/1998 Carroll et al.
 5,782,558 A * 7/1998 Roberts A47J 43/044
 366/199
 D396,991 S 8/1998 Lallemand
 D400,049 S 10/1998 Wanat et al.
 D416,168 S 11/1999 Huang
 5,979,850 A 11/1999 Hippen et al.
 D418,010 S 12/1999 Chan
 D419,365 S 1/2000 Endres
 D419,366 S 1/2000 Tse

D433,593 S 11/2000 Mattijssen
 6,234,663 B1 5/2001 Lecerf et al.
 D465,698 S * 11/2002 Allan D7/379
 D471,758 S 3/2003 Wilson
 D475,264 S 6/2003 Kondo et al.
 6,572,254 B1 6/2003 Marriere et al.
 6,585,403 B2 7/2003 Krall et al.
 D478,467 S 8/2003 Holderfield et al.
 6,637,925 B1 10/2003 Beaudet et al.
 6,726,353 B1 4/2004 Beaudet et al.
 D504,592 S 5/2005 Wanat
 D533,021 S 12/2006 Koszalinski et al.
 D539,603 S 4/2007 Holderfield et al.
 D540,114 S 4/2007 Picozza et al.
 D540,115 S 4/2007 Picozza et al.
 7,314,308 B2 1/2008 Fallowes et al.
 D587,962 S * 3/2009 Picozza D7/379
 D588,865 S 3/2009 Ferraby
 D593,360 S 6/2009 Lee
 7,690,836 B2 4/2010 Busick
 D628,012 S 11/2010 Bodum
 D665,223 S 8/2012 Haley et al.
 D665,224 S 8/2012 Benoit et al.
 D665,618 S 8/2012 Ho
 D703,480 S 4/2014 Lownds
 D756,165 S 5/2016 Lee et al.
 D807,109 S 1/2018 Ho et al.
 D818,762 S 5/2018 Carlson
 D845,697 S 4/2019 Gordon et al.
 D859,912 S 9/2019 Powell
 D892,539 S 8/2020 McConnell et al.
 D911,096 S 2/2021 McConnell et al.
 D911,767 S 3/2021 Koszylko
 D919,356 S 5/2021 DeLeo et al.
 D924,620 S * 7/2021 DeLeo D7/379
 D925,970 S 7/2021 McConnell et al.
 D930,426 S * 9/2021 Bourgeois D7/379
 2005/0007867 A1 1/2005 Wanat
 2017/0055775 A1 3/2017 Hoare et al.

OTHER PUBLICATIONS

Elechomes Hand Mixer Electric. Date First reviewed on Amazon.com Jul. 13, 2020 <https://www.amazon.com/dp/B089GL8HZ2/ref> (Year: 2020).
 BAR Hand Mixer Electric, Date First Available on Amazon.com May 14, 2020. <https://www.amazon.com/dp/B088 LP3 FB L/ref> (Year: 2020).

* cited by examiner

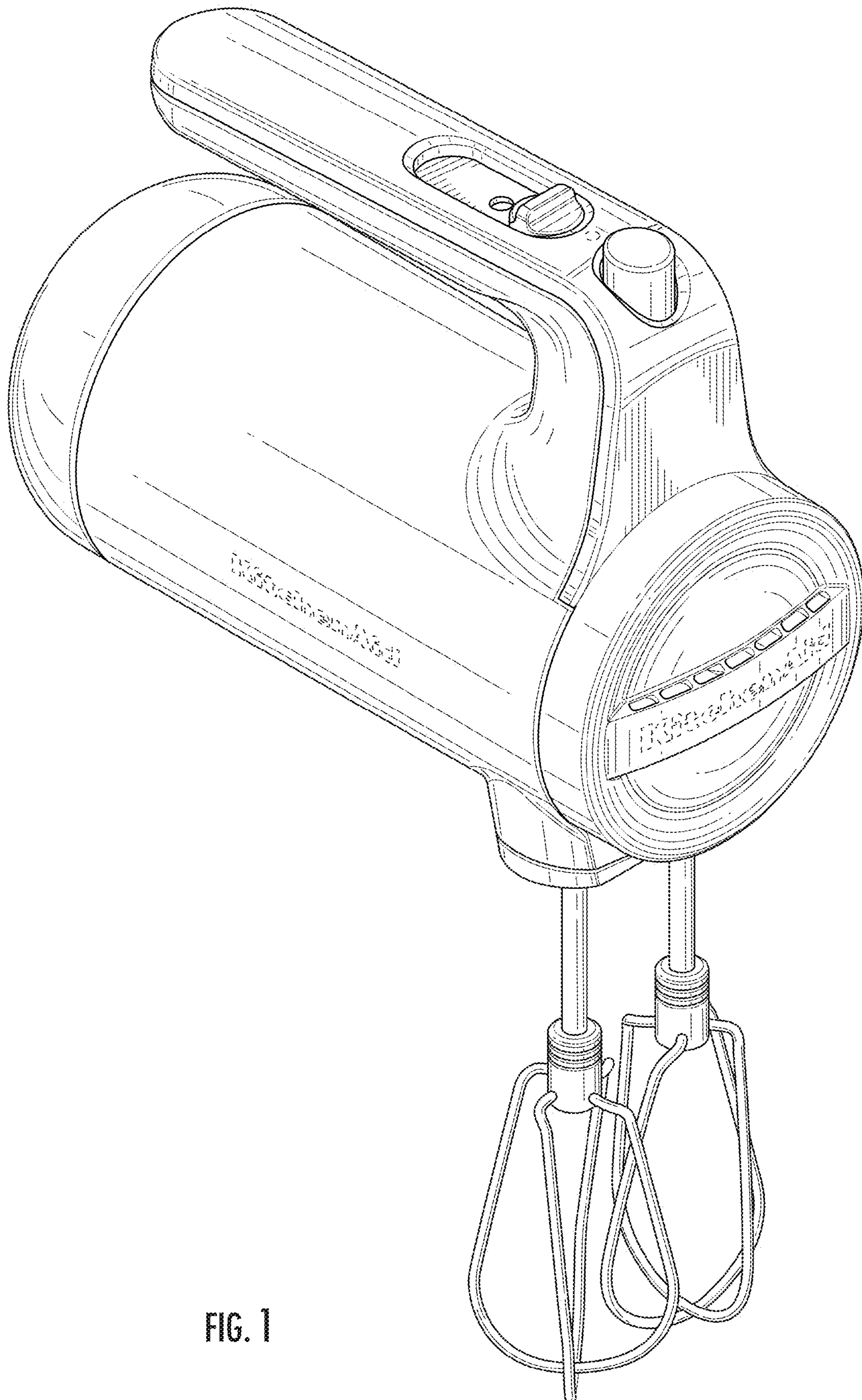


FIG. 1

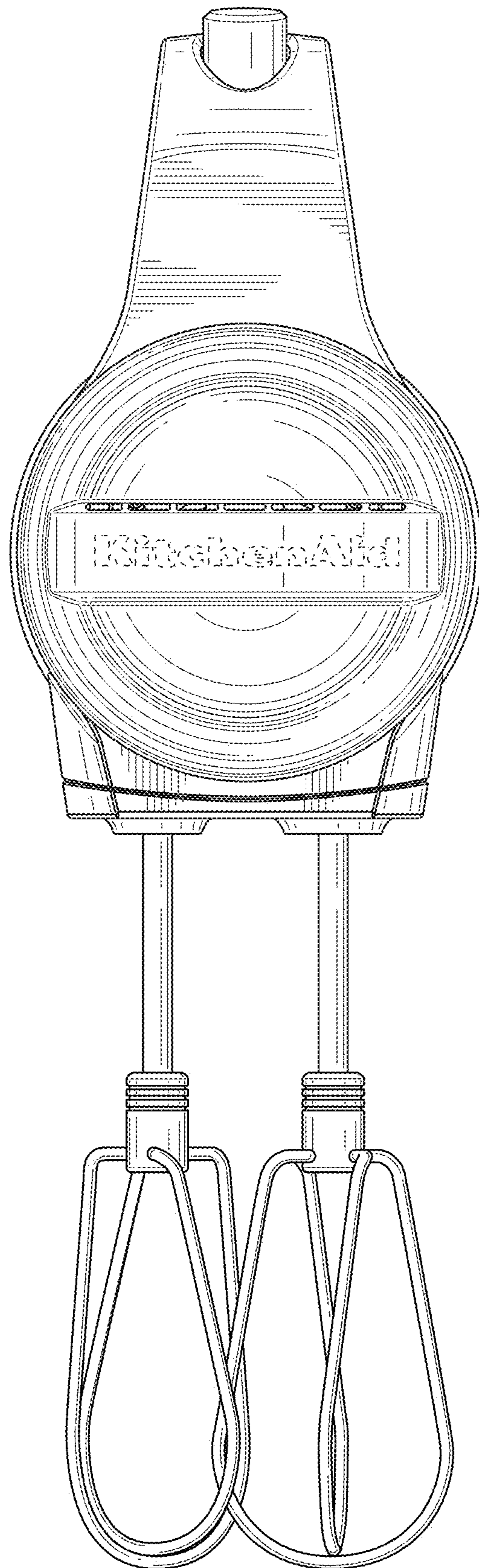


FIG. 2

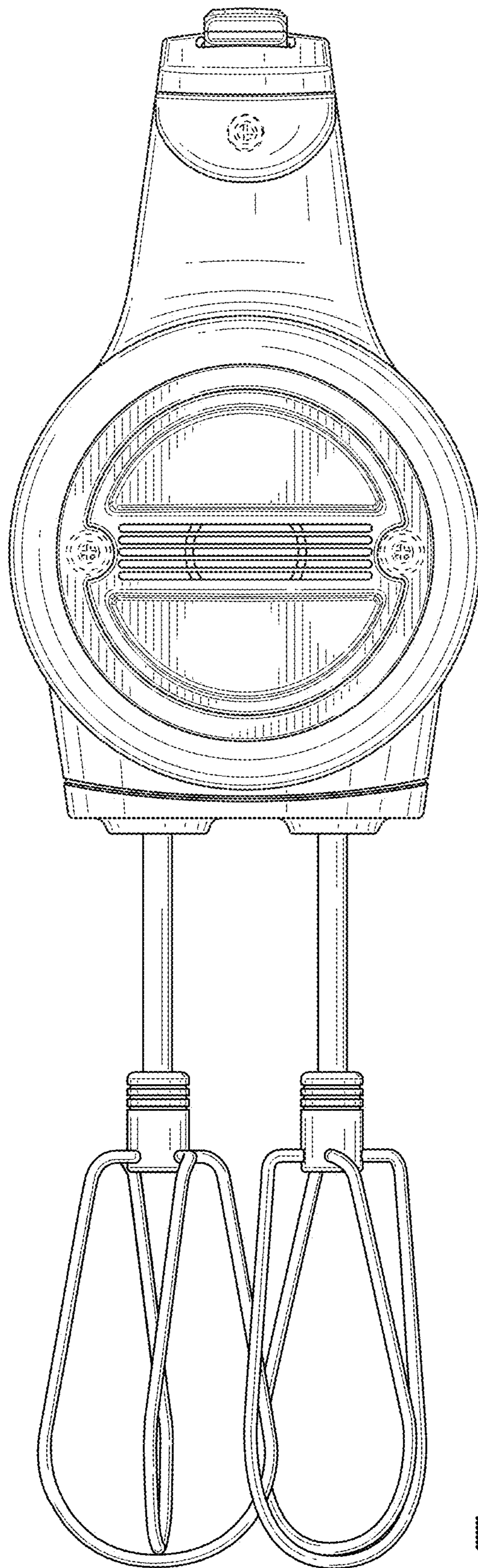
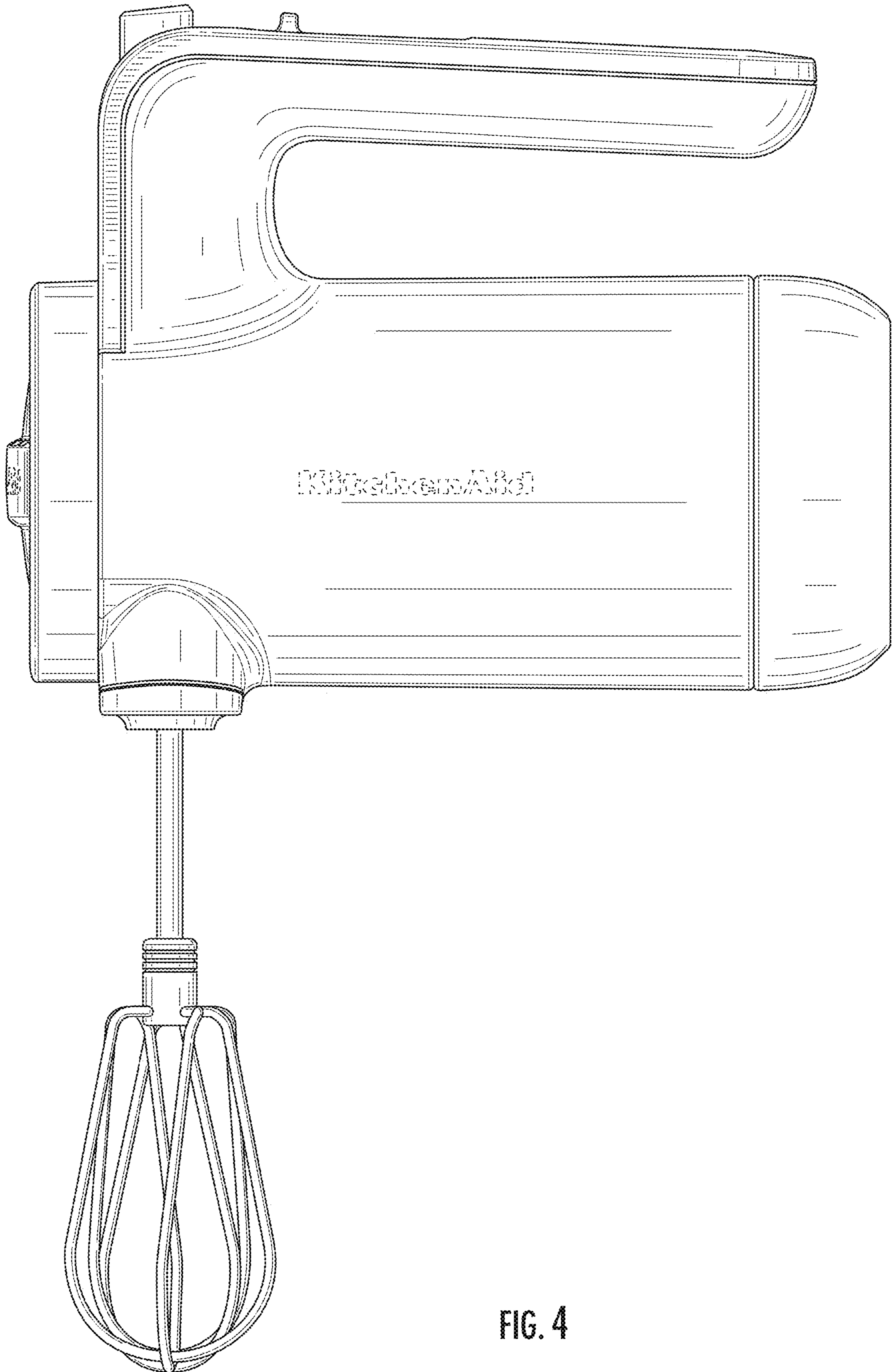


FIG. 3



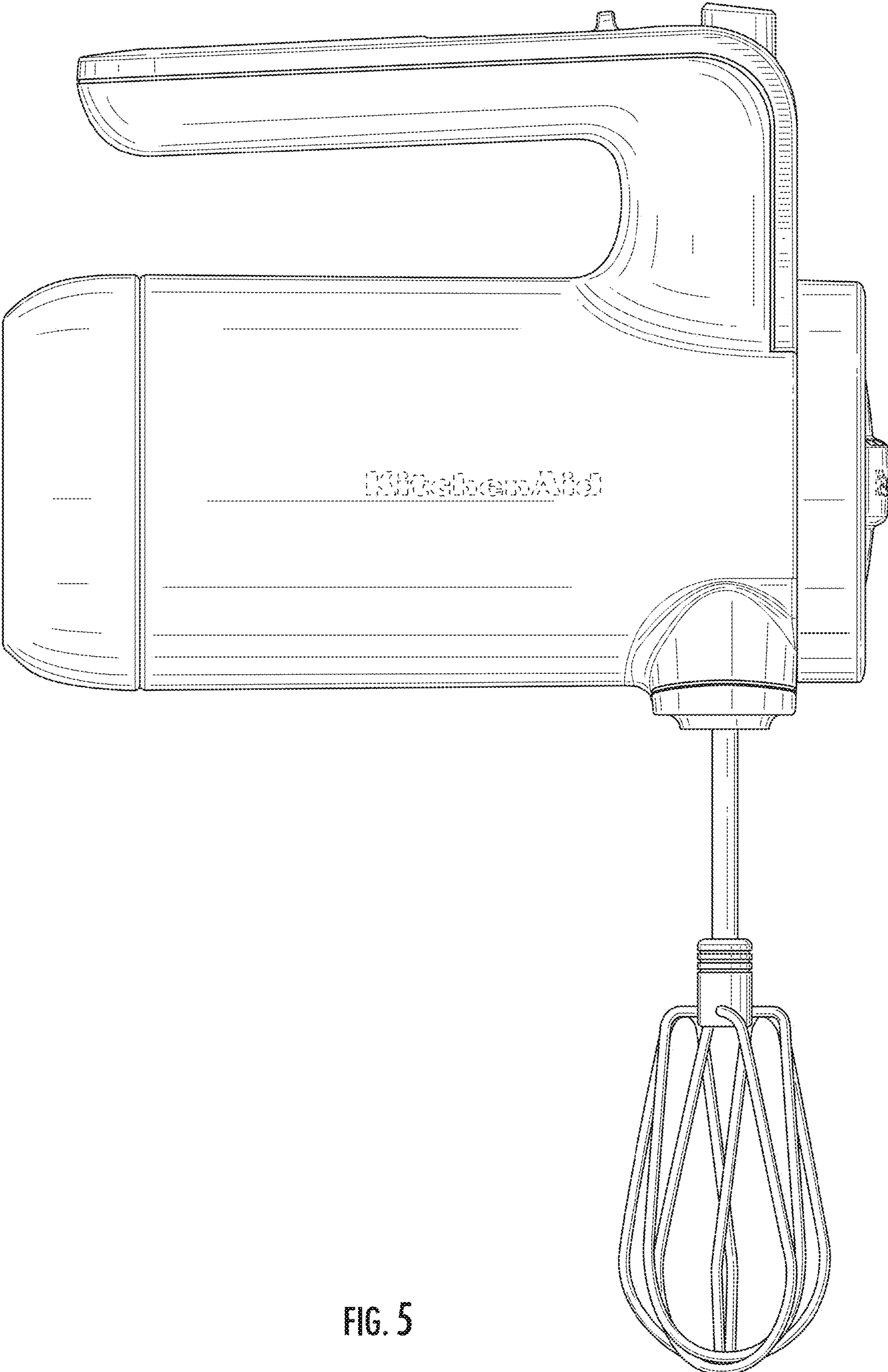


FIG. 5

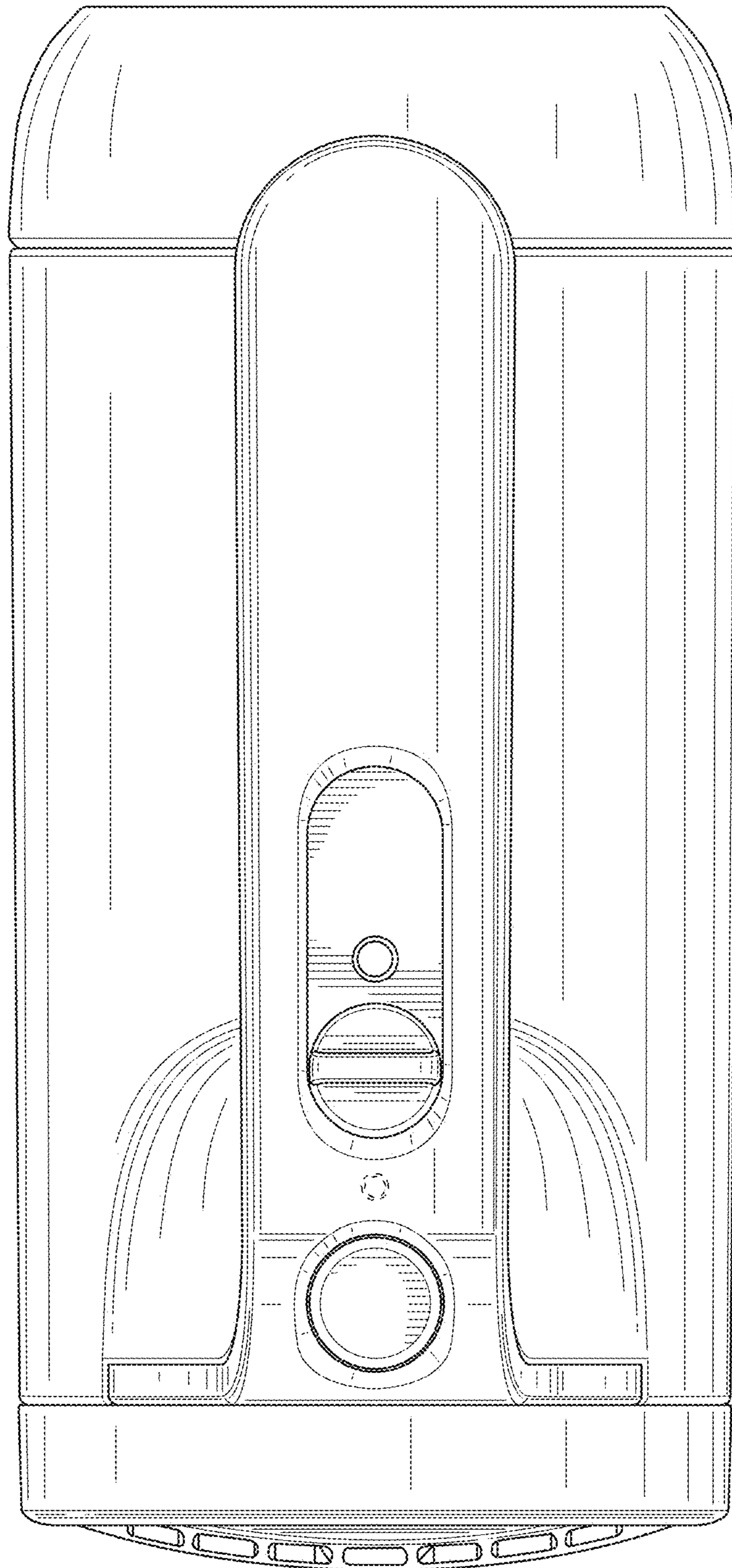


FIG. 6

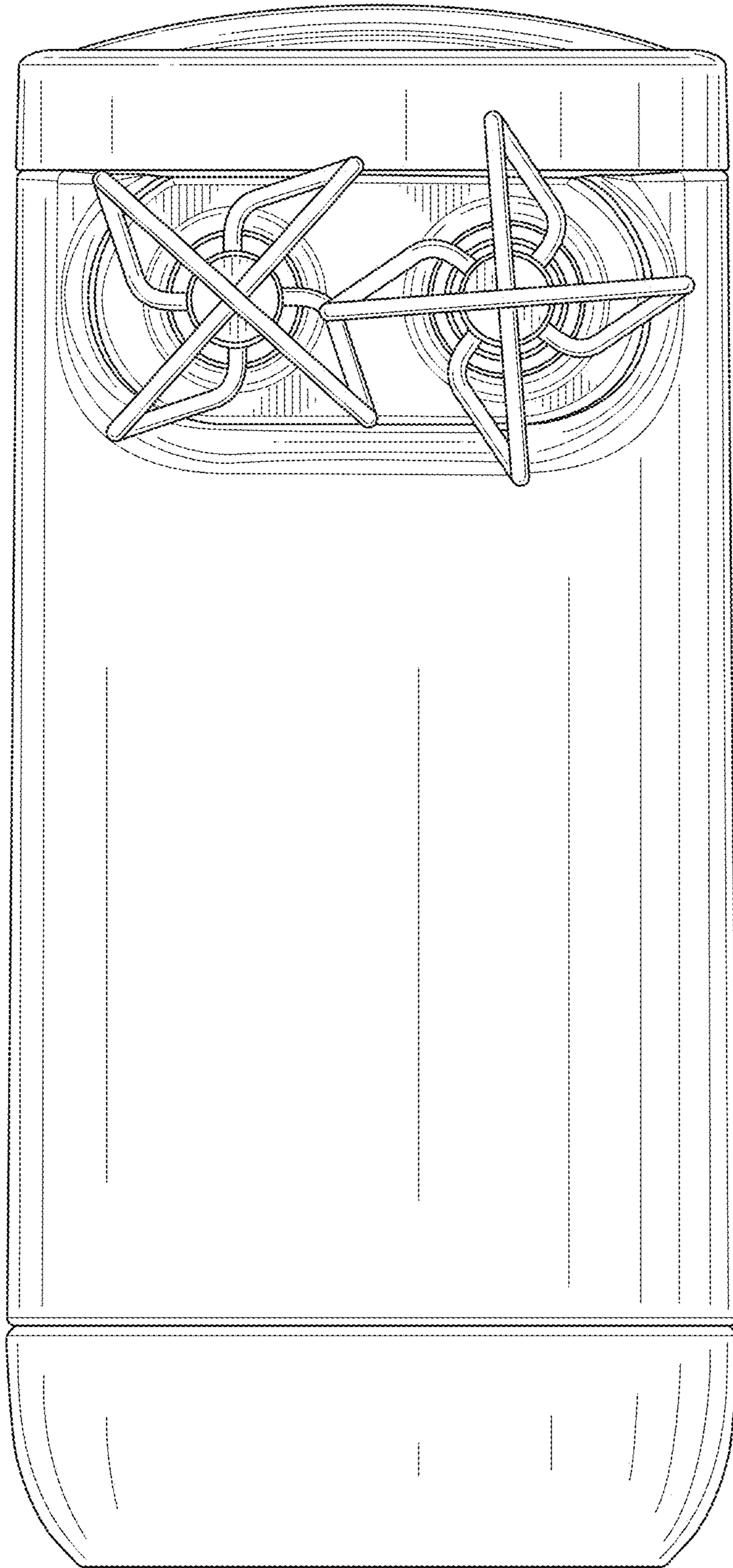


FIG. 7