



US00D948924S

(12) **United States Design Patent**  
**Huo et al.**

(10) **Patent No.:** **US D948,924 S**  
(45) **Date of Patent:** **\*\* Apr. 19, 2022**

(54) **ELECTRIC COOKER**

(71) Applicant: **ZHEJIANG SHAOXING SUPOR DOMESTIC ELECTRICAL APPLIANCE CO., LTD**, Shaoxing (CN)

(72) Inventors: **Lei Huo**, Shaoxing (CN); **Kai Cheng**, Shaoxing (CN)

(73) Assignee: **ZHEJIANG SHAOXING SUPOR DOMESTIC ELECTRICAL APPLIANCE CO., LTD**, Shaoxing (CN)

(\*\*) Term: **15 Years**

(21) Appl. No.: **29/766,848**

(22) Filed: **Jan. 19, 2021**

(30) **Foreign Application Priority Data**

Jul. 17, 2020 (CN) ..... 202030390260.0

(51) **LOC (13) Cl.** ..... **07-02**

(52) **U.S. Cl.**  
USPC ..... **D7/360; D7/354**

(58) **Field of Classification Search**  
USPC ... D7/323, 350.2, 350.3, 352, 354-363, 391, D7/393-396, 409  
CPC .. A23L 5/10; A47G 19/12; A47J 27/00; A47J 27/002; A47J 27/08; A47J 27/21; A47J 27/58; A47J 36/025; A47J 36/06; A47J 36/12; A47J 37/00; A47J 37/10; A47J 37/101; A47J 37/103; A47J 37/12; A47J 37/1204; A47J 43/046; A47J 45/061; A47J 45/071; A47J 45/08; H05B 6/12  
See application file for complete search history.

(56) **References Cited**

**U.S. PATENT DOCUMENTS**

D302,642 S \* 8/1989 Nishikawa ..... D7/350.3  
D321,110 S \* 10/1991 Worrell ..... D7/350.3

D329,163 S \* 9/1992 Chang ..... D7/350.3  
D355,564 S \* 2/1995 Dornbush ..... D7/350.3  
D358,963 S \* 6/1995 Kaneko ..... D7/350.2  
D364,308 S \* 11/1995 Chang ..... D7/350.3  
D367,396 S \* 2/1996 Hsu ..... D7/350.3  
D496,823 S \* 10/2004 Josancy ..... D7/360  
D743,201 S \* 11/2015 Aderka ..... A47J 37/0641  
D7/354  
D871,125 S \* 12/2019 Hsieh ..... D7/352  
D930,423 S \* 9/2021 Wang ..... D7/358  
2006/0263501 A1 \* 11/2006 Oghafua ..... A47J 43/046  
426/523  
2018/0333004 A1 \* 11/2018 De' Longhi ..... A23L 5/10

\* cited by examiner

*Primary Examiner* — Ricky Pham

(74) *Attorney, Agent, or Firm* — Loeb & Loeb LLP

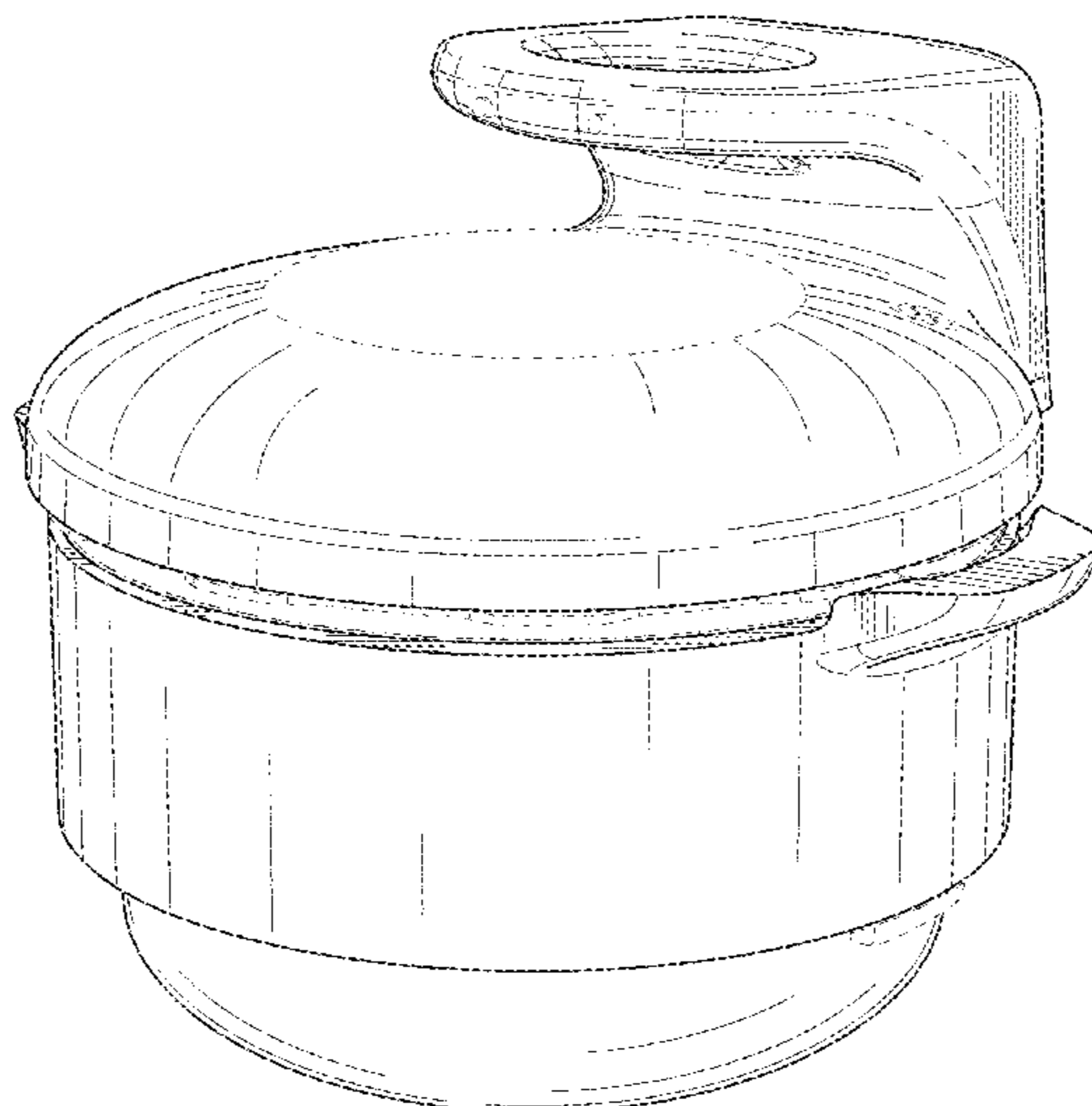
(57) **CLAIM**

The ornamental design for a electric cooker, as shown and described.

**DESCRIPTION**

FIG. 1 is a perspective view of an electric cooker showing our new design;  
FIG. 2 is a front elevational view thereof;  
FIG. 3 is a back elevational view thereof;  
FIG. 4 is a right side elevational view thereof;  
FIG. 5 is a left side elevational view thereof;  
FIG. 6 is a top view thereof; and,  
FIG. 7 is a bottom view thereof.  
The even dash lines appearing in the figure drawings depict portions of the electric cooker that form no part of the claimed design.  
The dot dash line appearing in the figure drawings is for the purpose of illustrating the bounds of the claim and forms no part thereof.

**1 Claim, 7 Drawing Sheets**



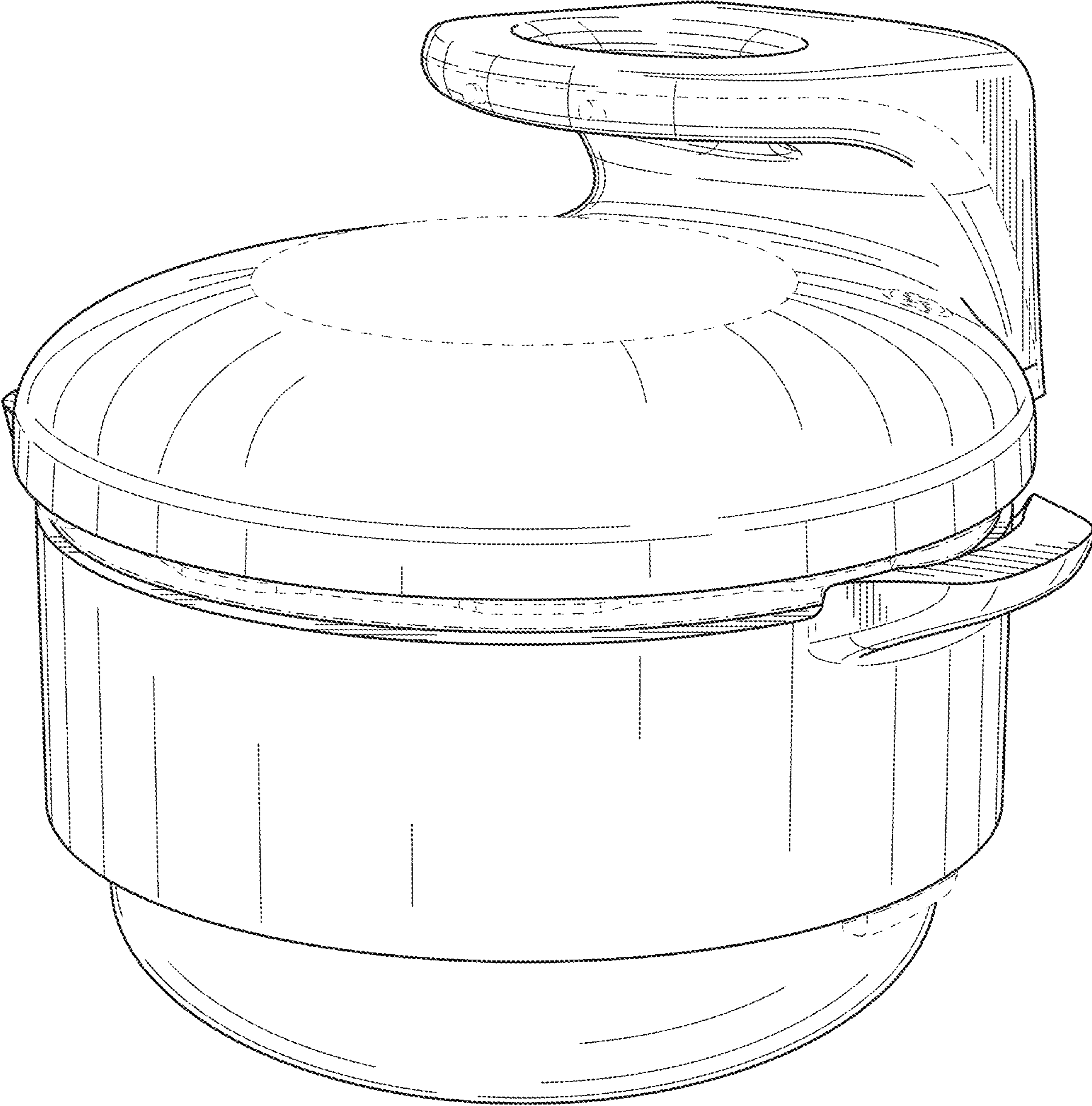


FIG. 1

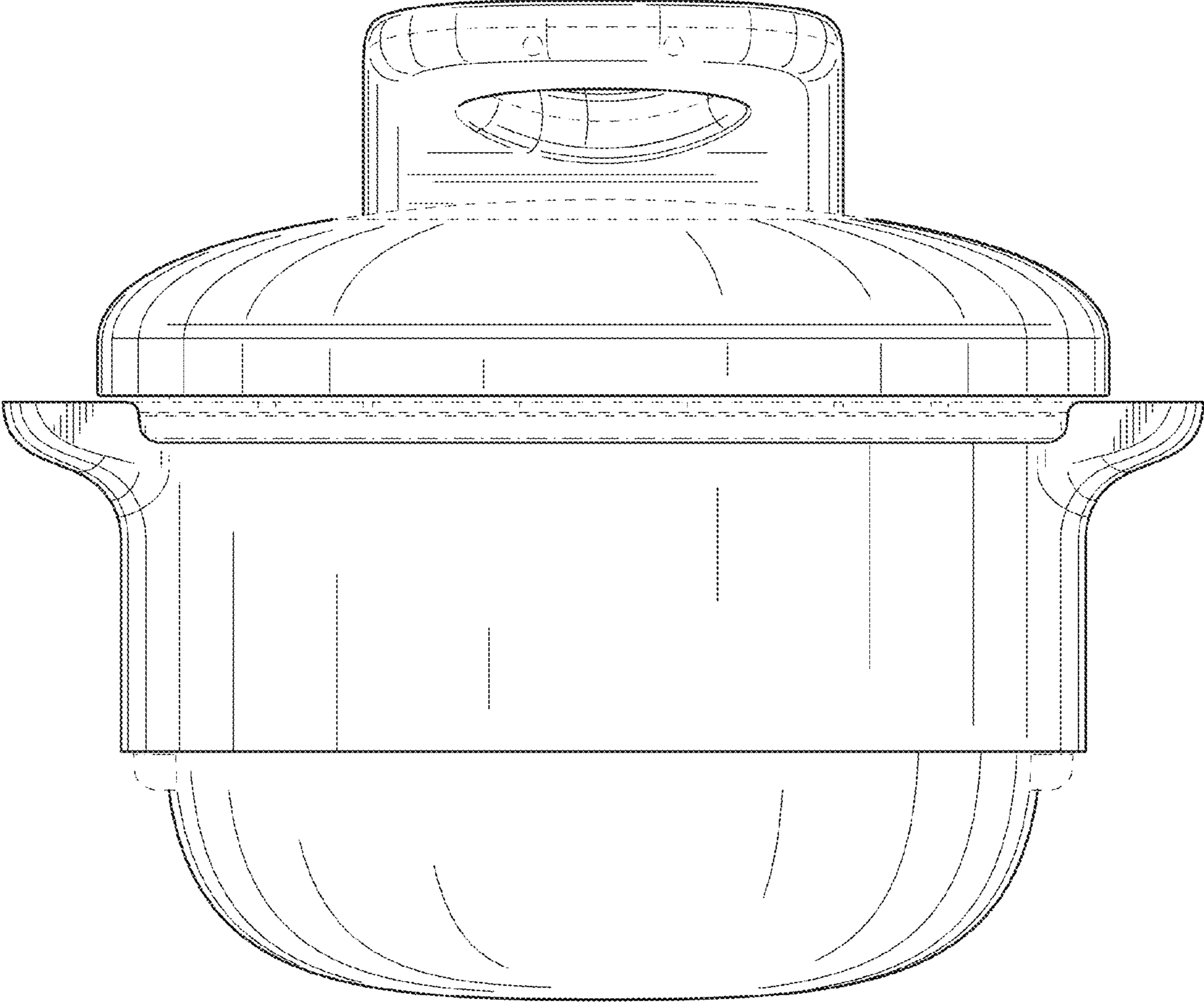


FIG. 2

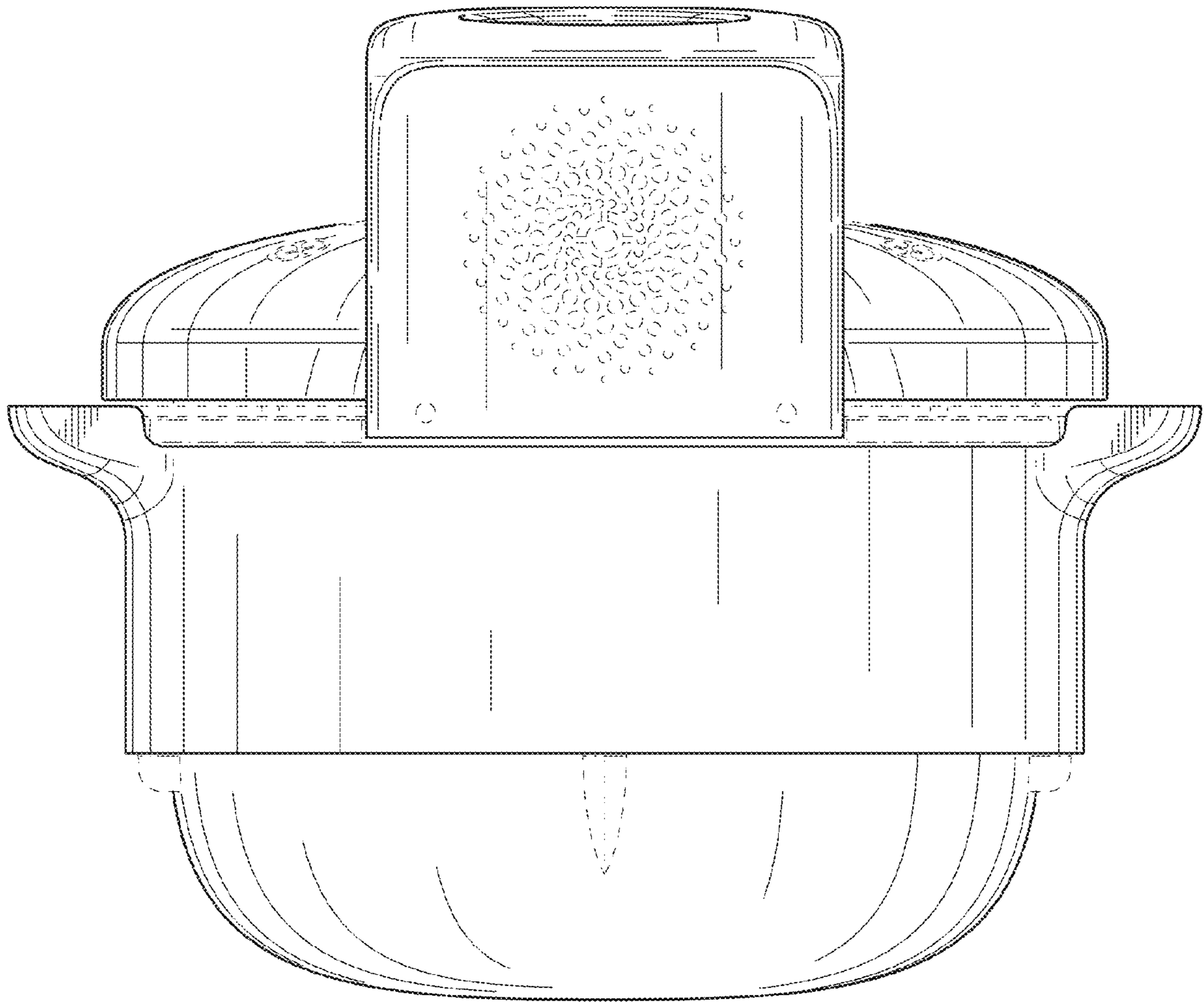


FIG. 3

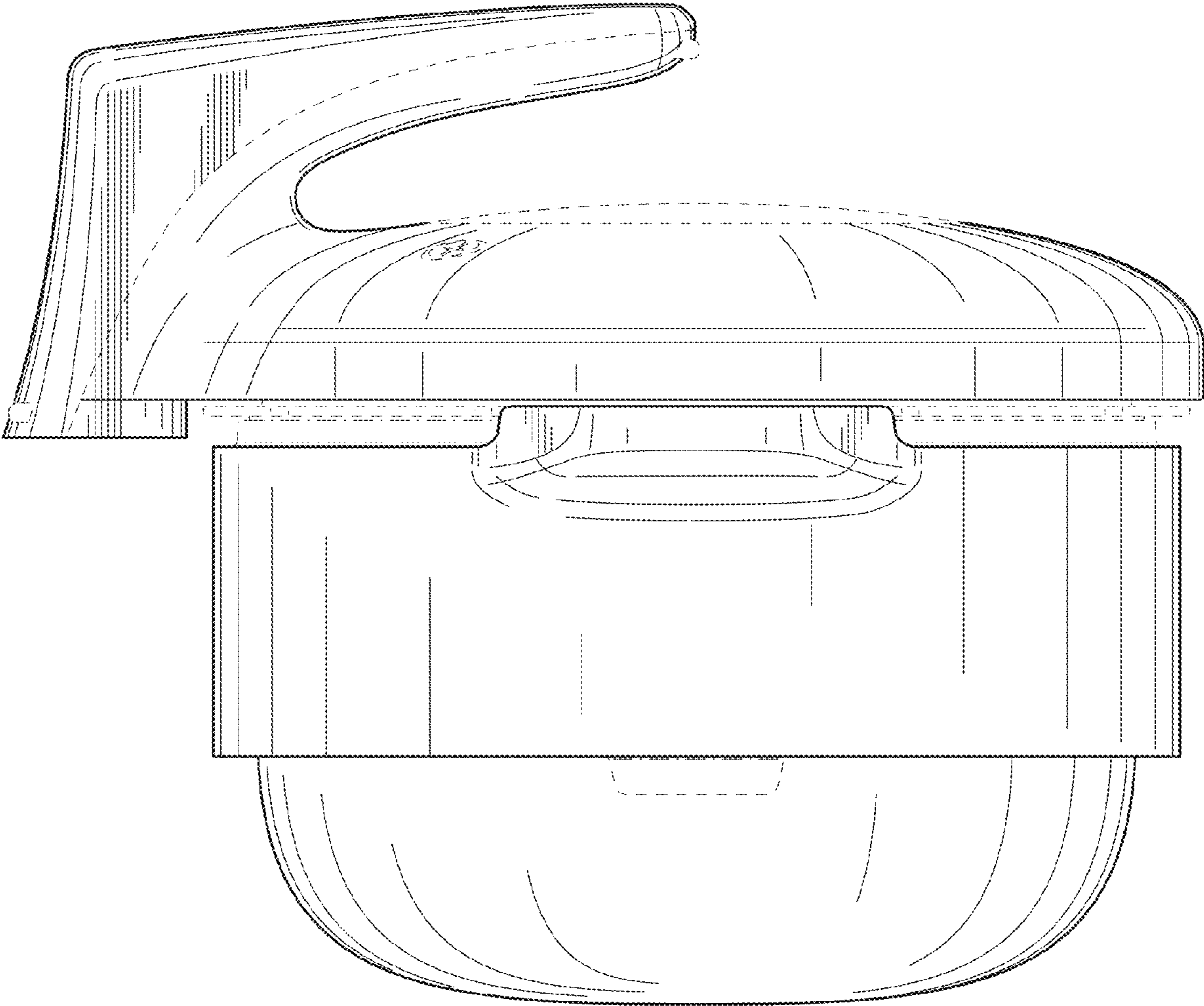


FIG. 4

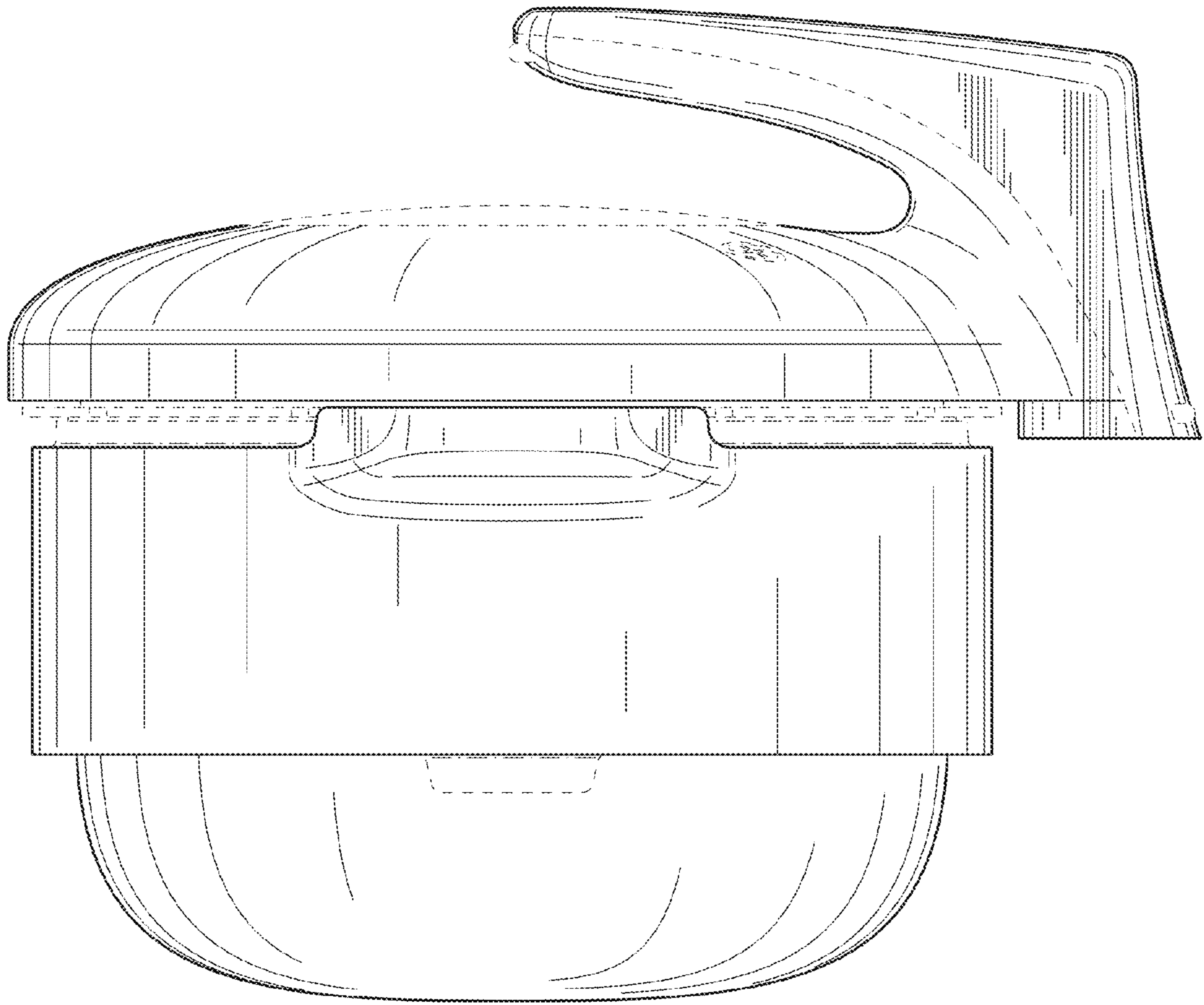


FIG. 5

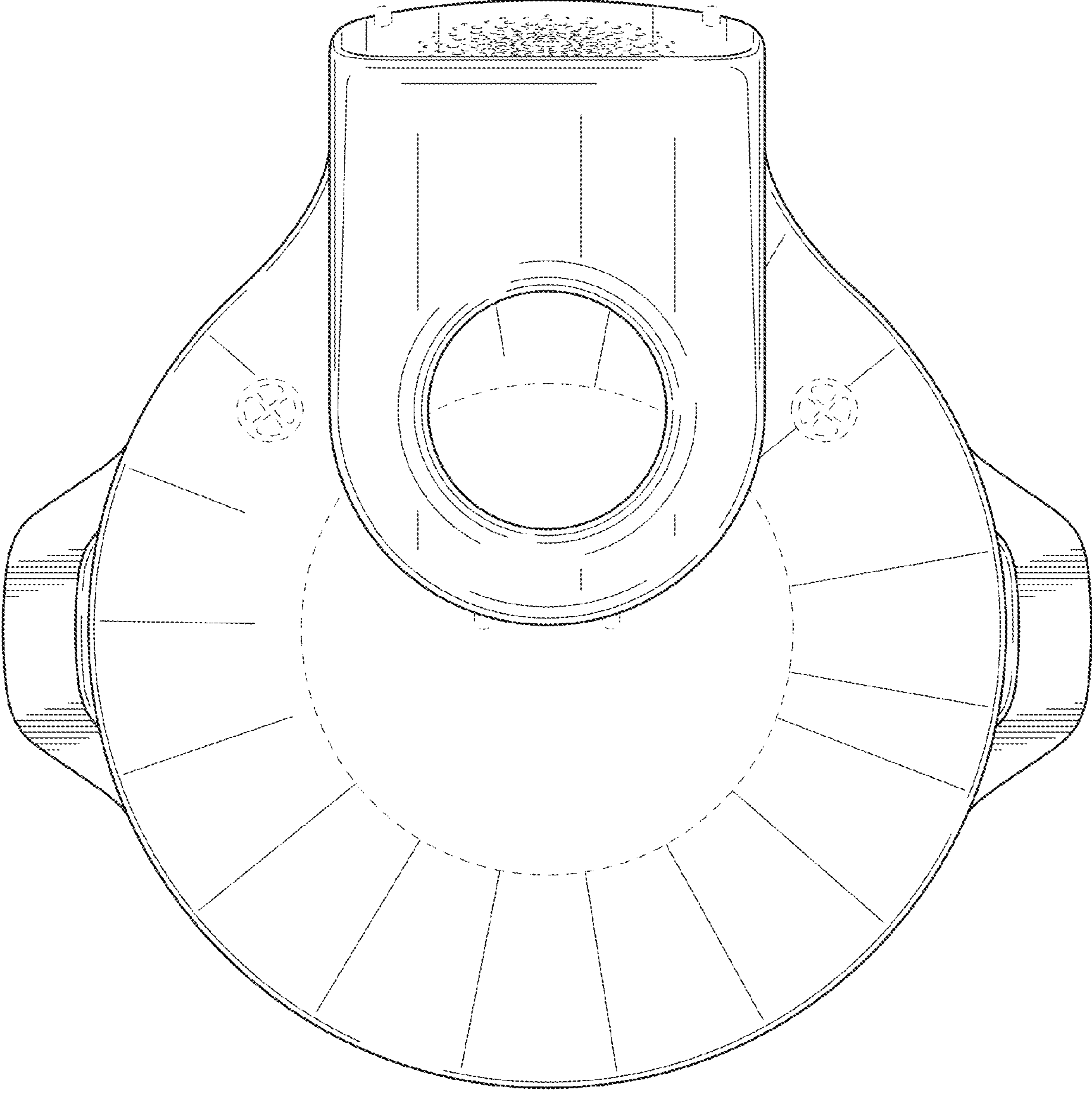


FIG. 6

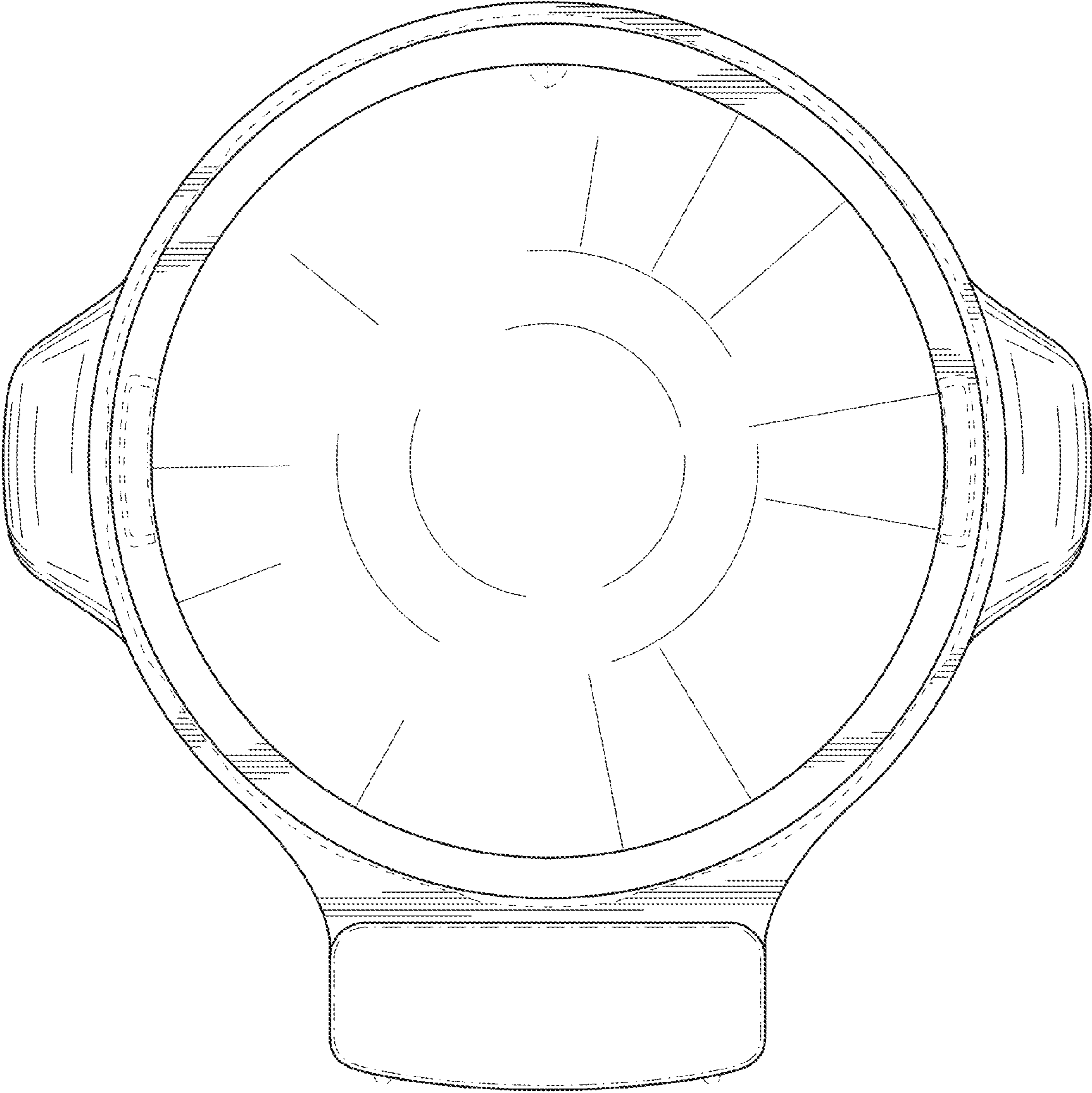


FIG. 7