



US00D948923S

(12) **United States Design Patent**
Huo et al.

(10) **Patent No.:** **US D948,923 S**
(45) **Date of Patent:** **** Apr. 19, 2022**

(54) **STEAM COOKING APPARATUS**
(71) Applicant: **ZHEJIANG SHAOXING SUPOR DOMESTIC ELECTRICAL APPLIANCE CO., LTD**, Shaoxing (CN)

D312,941 S * 12/1990 Zivin D7/545
D333,754 S * 3/1993 Conti D7/392.1
D338,807 S * 8/1993 Conti D7/354
D409,447 S * 5/1999 Henry D7/542
D543,414 S * 5/2007 Lion D7/360
D563,718 S * 3/2008 Lion D7/354
D607,689 S * 1/2010 Hart D7/360
D641,207 S * 7/2011 Backaert D7/391
D753,435 S * 4/2016 Kemker D7/391
D816,994 S * 5/2018 Fischer D3/294

(72) Inventors: **Lei Huo**, Shaoxing (CN); **Kai Cheng**, Shaoxing (CN)

(73) Assignee: **ZHEJIANG SHAOXING SUPOR DOMESTIC ELECTRICAL APPLIANCE CO., LTD**, Shaoxing (CN)

(**) Term: **15 Years**

(21) Appl. No.: **29/766,847**

(22) Filed: **Jan. 19, 2021**

(30) **Foreign Application Priority Data**

Jul. 17, 2020 (CN) 202030390596.7

(51) **LOC (13) Cl.** **07-02**

(52) **U.S. Cl.**
USPC **D7/360; D7/354**

(58) **Field of Classification Search**
USPC D3/294; D7/323, 354-363, 391, 392.1, D7/393-396, 409, 542, 545, 605
CPC A47G 19/12; A47J 27/00; A47J 27/002; A47J 27/08; A47J 27/21; A47J 27/58; A47J 36/025; A47J 36/06; A47J 36/08; A47J 36/12; A47J 37/00; A47J 37/10; A47J 37/101; A47J 37/103; A47J 37/12; A47J 37/1204; A47J 45/061; A47J 45/071; A47J 45/08; H05B 6/12
See application file for complete search history.

(56) **References Cited**

U.S. PATENT DOCUMENTS

D177,187 S * 3/1956 Melich et al. D7/605
D216,477 S * 1/1970 Ketcham D7/545

OTHER PUBLICATIONS

Simax Casserole Dish. Date First Available on Amazon.com Jul. 3, 2019. <https://www.amazon.com/Simax-Clear-Round-Glass-Casserole/dp/B07TLPK2SY/ref> (Year: 2019).*

* cited by examiner

Primary Examiner — Ricky Pham

(74) *Attorney, Agent, or Firm* — Loeb & Loeb LLP

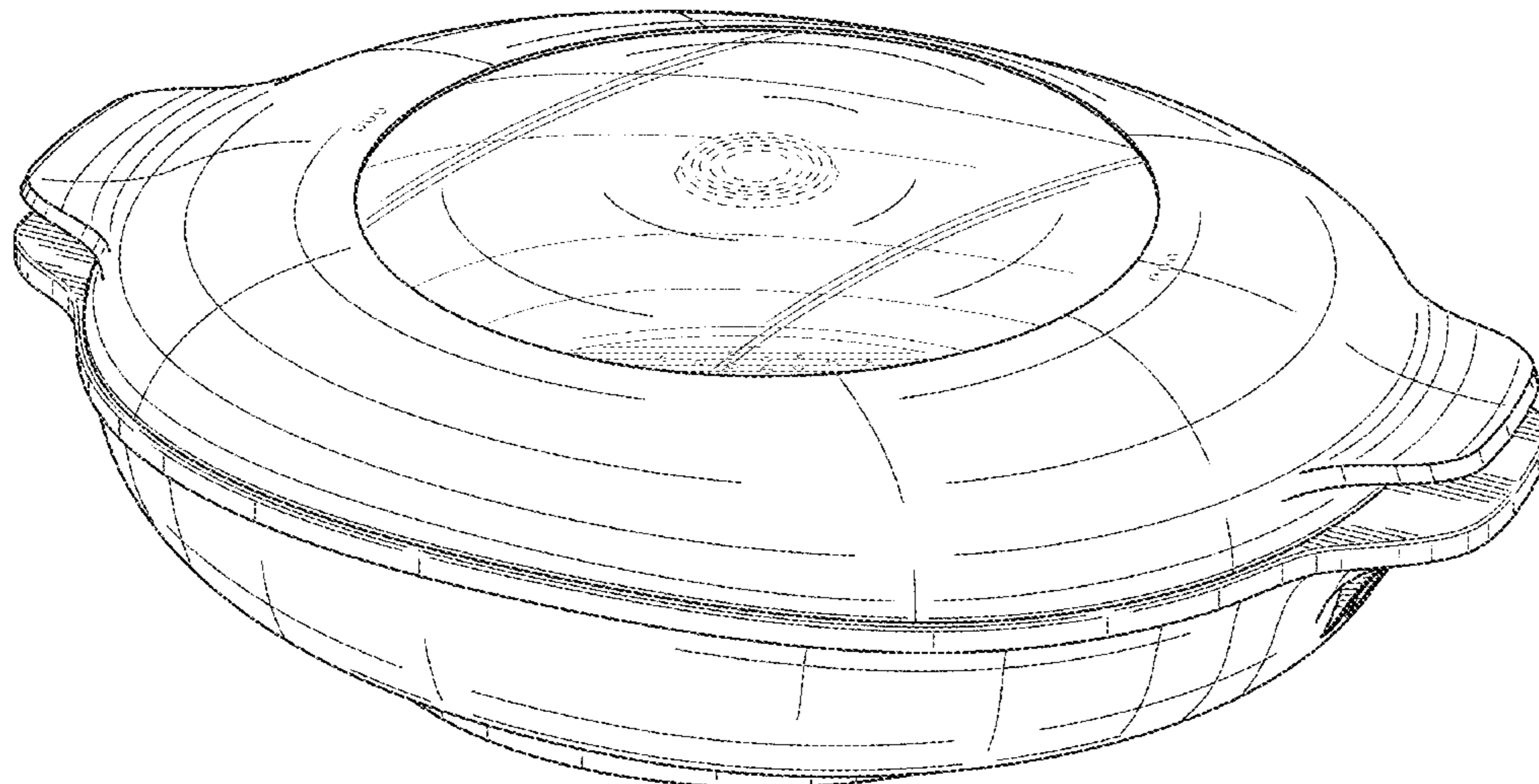
(57) **CLAIM**

The ornamental design for a steam cooking apparatus, as shown and described.

DESCRIPTION

FIG. 1 is a perspective view of a steam cooking apparatus showing our new design;
FIG. 2 is a front elevational view thereof;
FIG. 3 is a back elevational view thereof;
FIG. 4 is a right side elevational view thereof;
FIG. 5 is a left side elevational view thereof;
FIG. 6 is a top view thereof; and,
FIG. 7 is a bottom view thereof.
The even dash lines appearing in the figure drawings depict portions of the steam cooking apparatus that form no part of the claimed design.

1 Claim, 7 Drawing Sheets



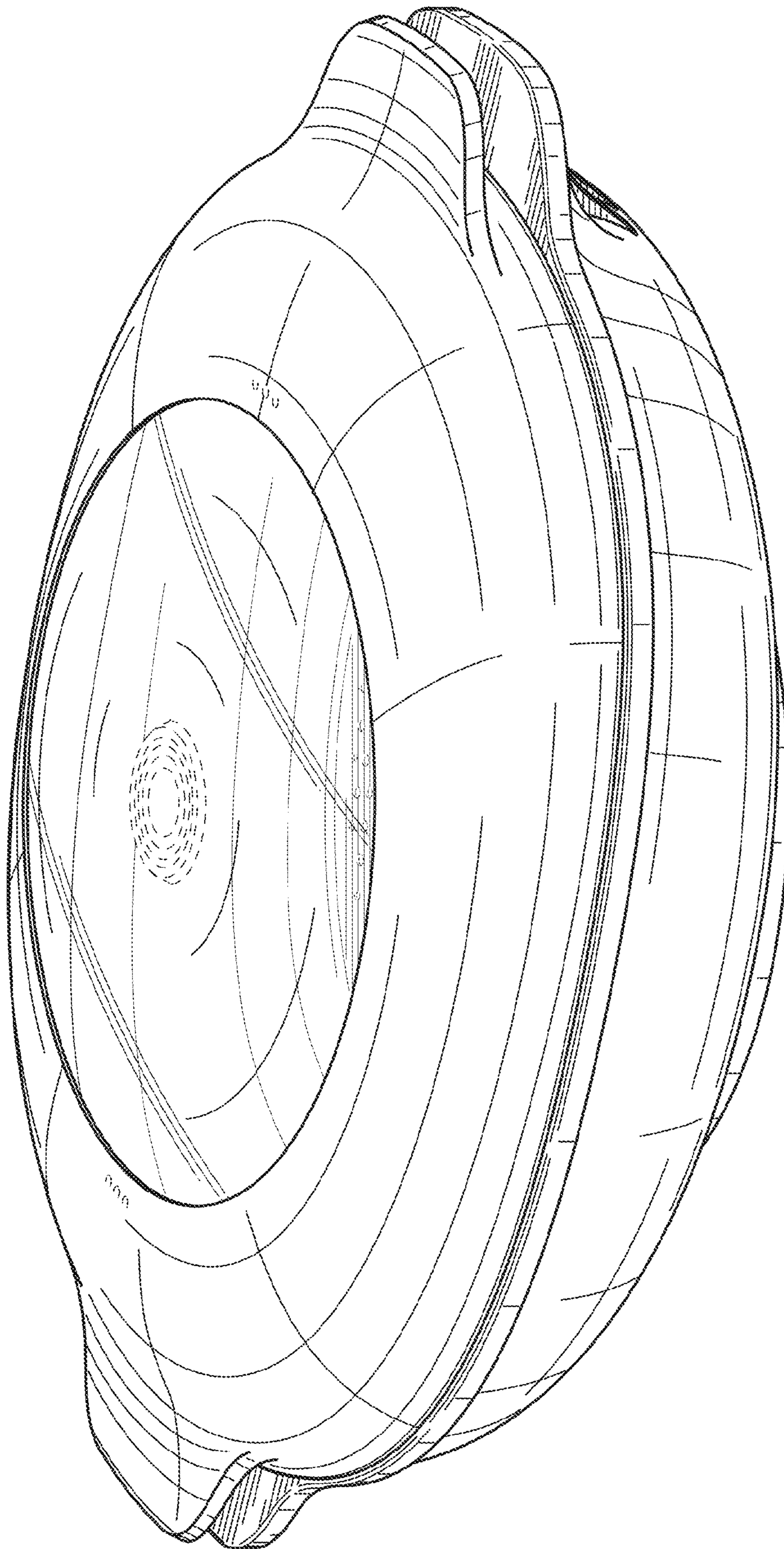


FIG.1

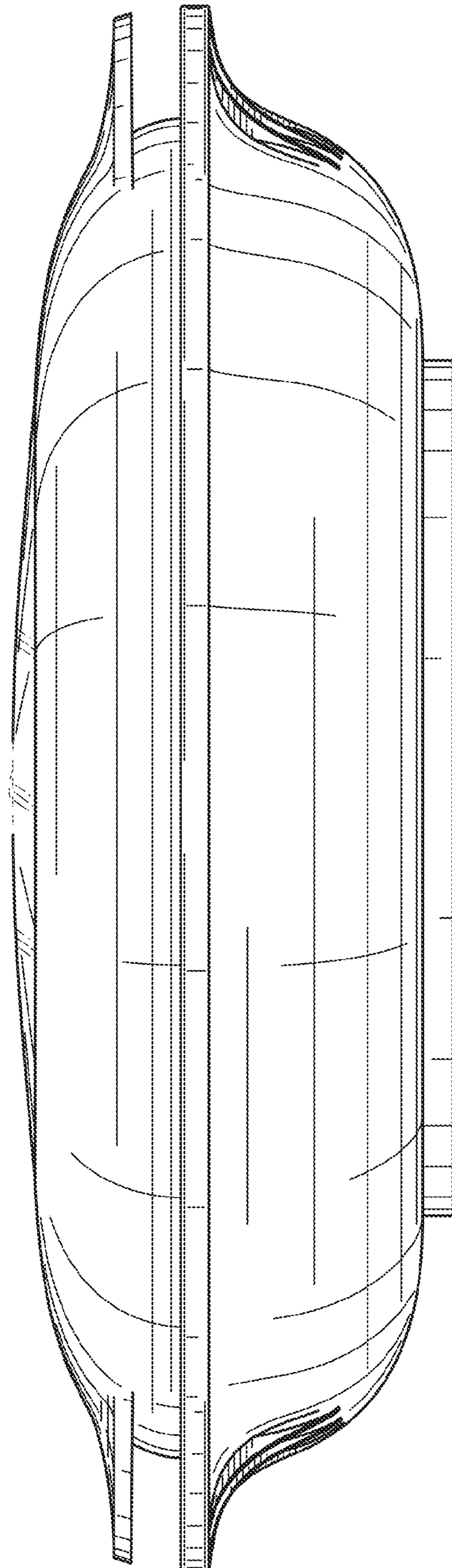


FIG.2

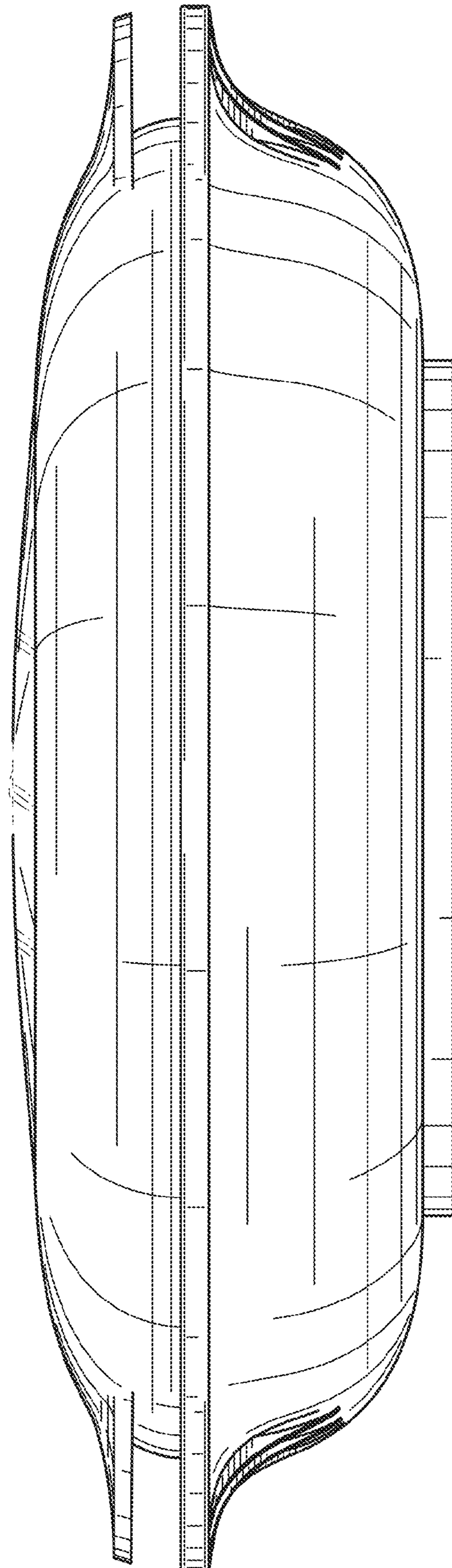


FIG.3

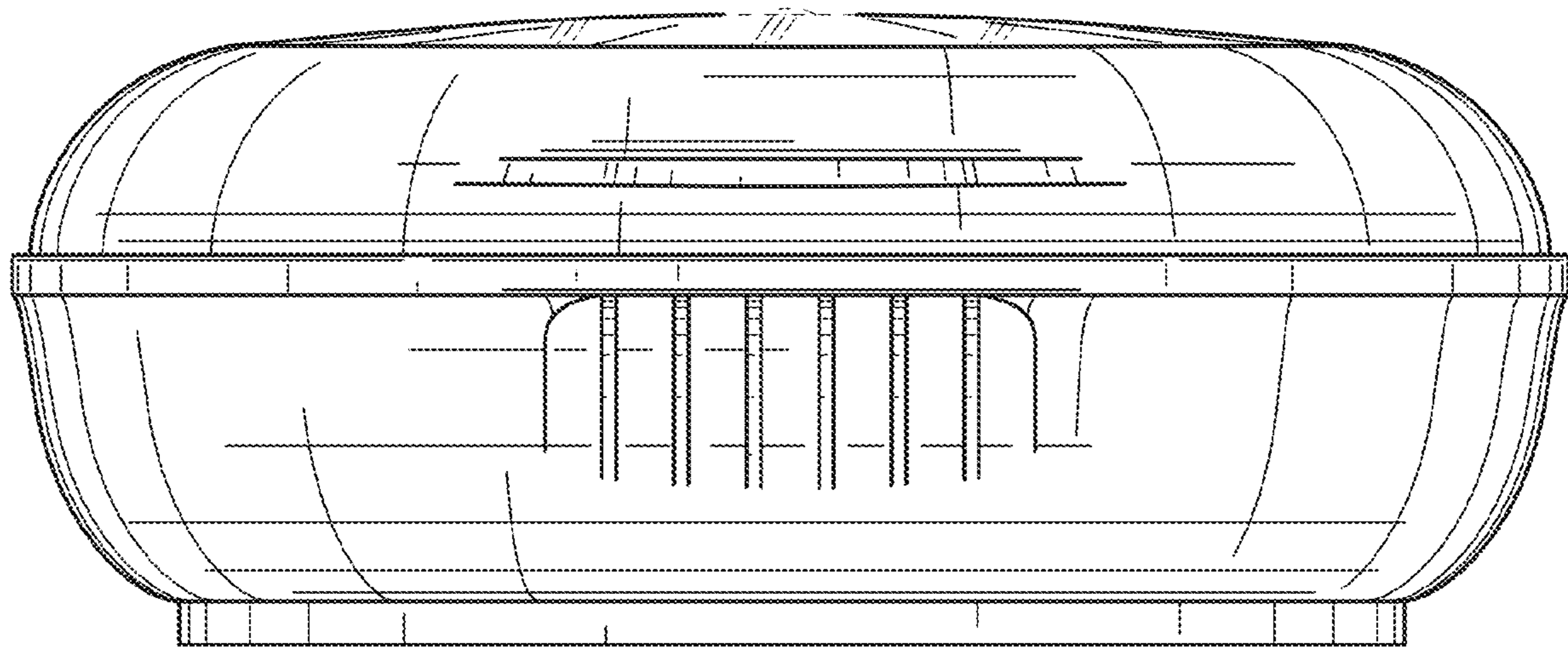


FIG. 4

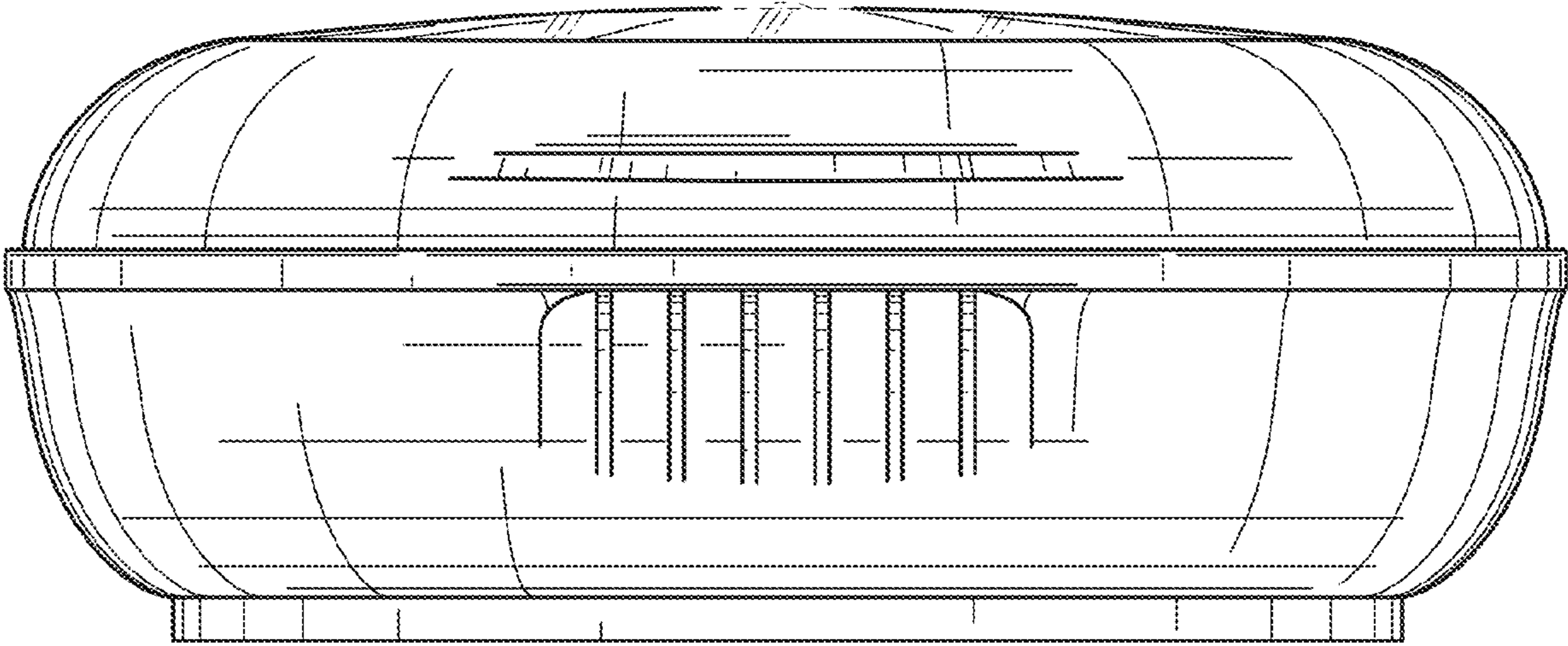


FIG. 5

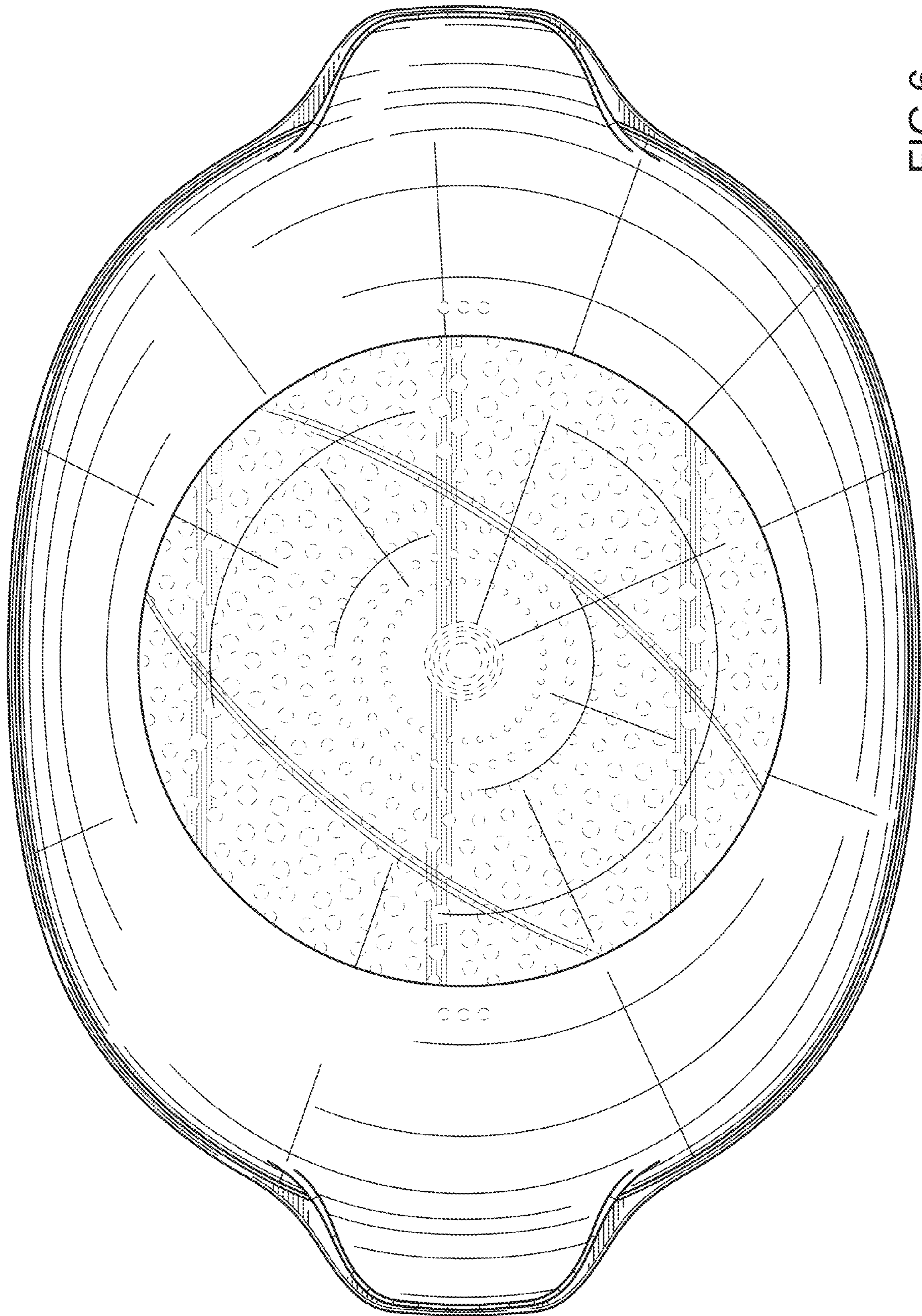


FIG.6

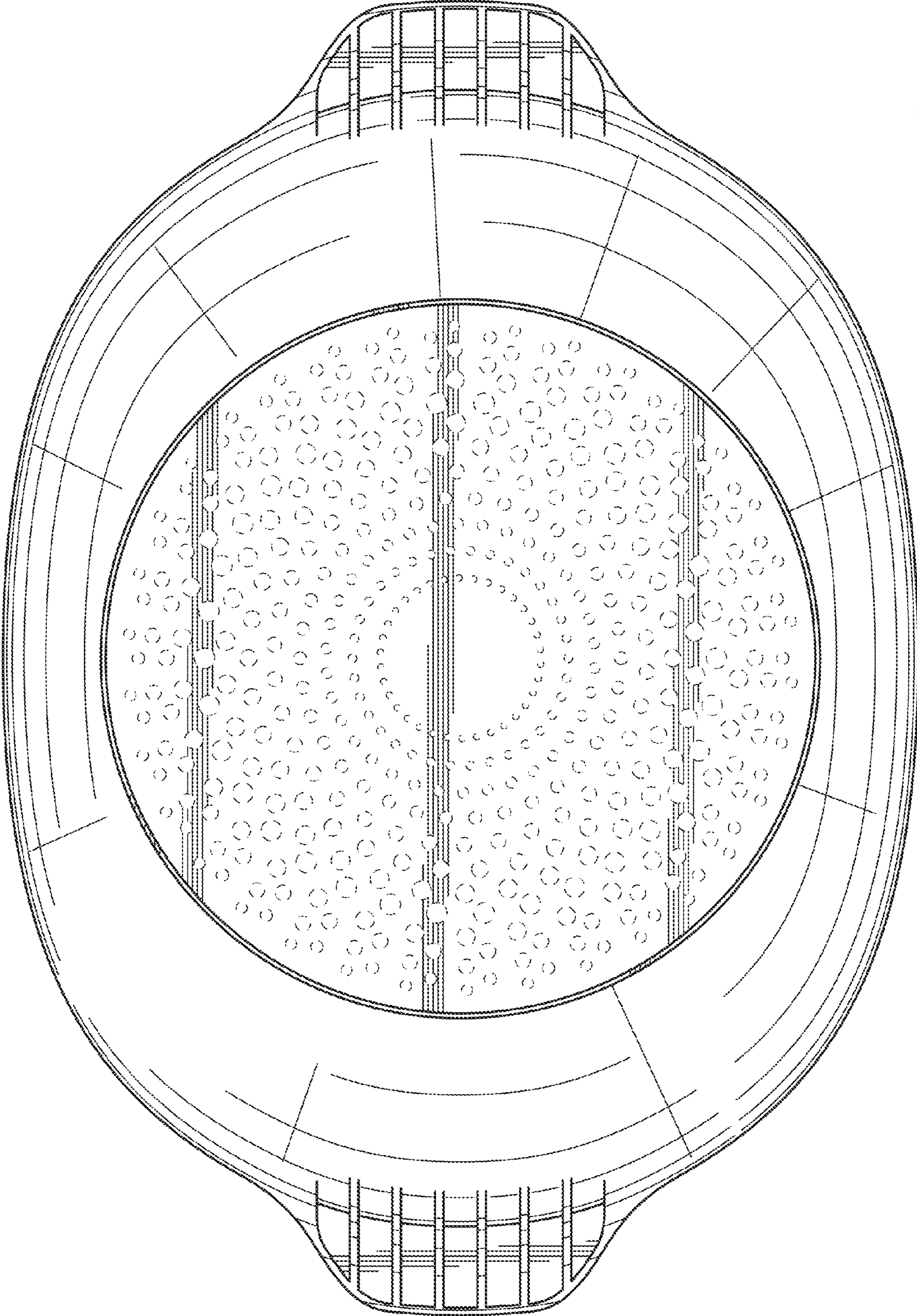


FIG.7