



US00D948920S

(12) **United States Design Patent**
Fan

(10) **Patent No.:** **US D948,920 S**

(45) **Date of Patent:** **** Apr. 19, 2022**

(54) **EGG FRYING PAN**

(71) Applicant: **HONG KONG BESTIME GROUP COMPANY LIMITED**, North Point (HK)

(72) Inventor: **Zhenrong Fan**, North Point (HK)

(**) Term: **15 Years**

(21) Appl. No.: **29/775,133**

(22) Filed: **Mar. 22, 2021**

(51) **LOC (13) Cl.** **07-02**

(52) **U.S. Cl.**
USPC **D7/357; D7/354; D7/361**

(58) **Field of Classification Search**
USPC D7/323, 354-363, 391, 393-396, 409, D7/600

CPC A47G 19/12; A47J 27/00; A47J 27/002; A47J 27/08; A47J 27/21; A47J 27/58; A47J 29/02; A47J 36/025; A47J 36/06; A47J 36/12; A47J 37/00; A47J 37/10; A47J 37/101; A47J 37/103; A47J 37/12; A47J 37/1204; A47J 45/061; A47J 45/071; A47J 45/08; B28B 7/241; H05B 6/12

See application file for complete search history.

(56) **References Cited**

U.S. PATENT DOCUMENTS

323,887	A *	8/1885	Rutter	B28B 7/241
					249/119
1,505,675	A *	8/1924	Stirn	A47J 37/10
					99/339
2,515,617	A *	7/1950	Tilford	A47J 37/10
					126/390.1
D227,730	S *	7/1973	Shull	D7/357
D347,355	S *	5/1994	Naft	D7/357
D492,538	S *	7/2004	Cheng	D7/357
D526,530	S	8/2006	Abrams		

D609,525	S *	2/2010	Rabanal	D7/409
D676,714	S *	2/2013	Chen	D7/600
D712,193	S	9/2014	Nagrani		
D750,930	S	3/2016	Boen		
D787,261	S	5/2017	Tsai		
D802,354	S *	11/2017	Xiong	D7/357
D828,712	S	9/2018	Nagrani		
D848,781	S *	5/2019	Hollinger	D7/361
D859,909	S	9/2019	Murad et al.		
D860,711	S *	9/2019	Eom	D7/357
D883,024	S *	5/2020	Hollinger	D7/391
2012/0210884	A1 *	8/2012	Stacey	A47J 29/02
					99/482

OTHER PUBLICATIONS

MIUGO four-cup egg pan. Date First Available on Amazon.com May 30, 2020. <https://www.amazon.com/MIUGO-Aluminum-Frying-Poacher-burgers/dp/B089D9V6YX/ref=Year:2020>.
https://www.amazon.com/dp/B087CL1CW5?ref=myi_title_dp; May 23, 2020.

* cited by examiner

Primary Examiner — Ricky Pham

(74) *Attorney, Agent, or Firm* — Rumit Ranjit Kanakia

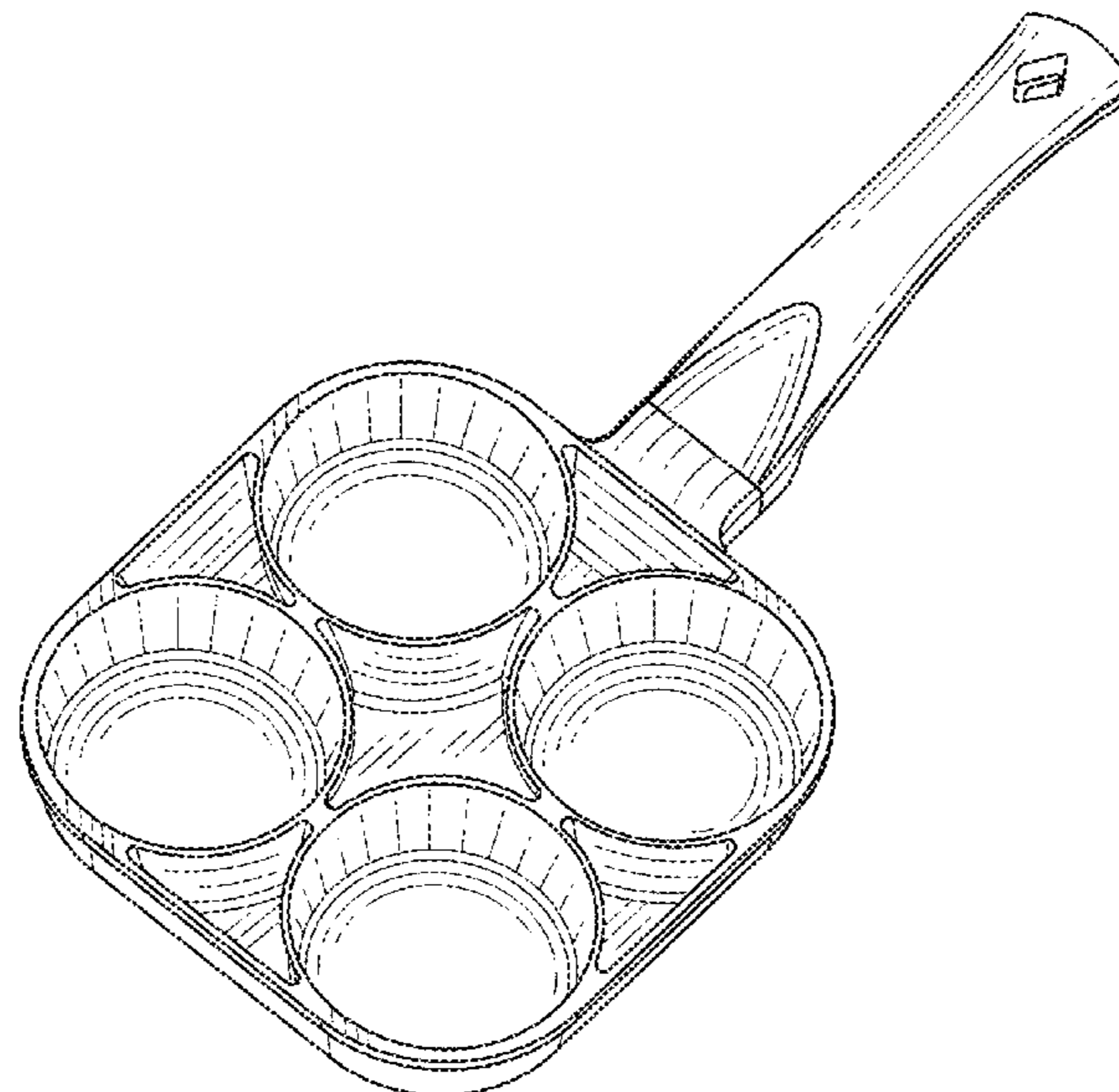
(57) **CLAIM**

The ornamental design for an egg frying pan, as shown and described.

DESCRIPTION

FIG. 1 is a Perspective view of an egg frying pan showing my new design;
FIG. 2 is a Front view thereof;
FIG. 3 is a Back view thereof;
FIG. 4 is a Right-side view thereof;
FIG. 5 is a Left-side view thereof;
FIG. 6 is a Top view thereof; and,
FIG. 7 is a Bottom view thereof.

1 Claim, 5 Drawing Sheets



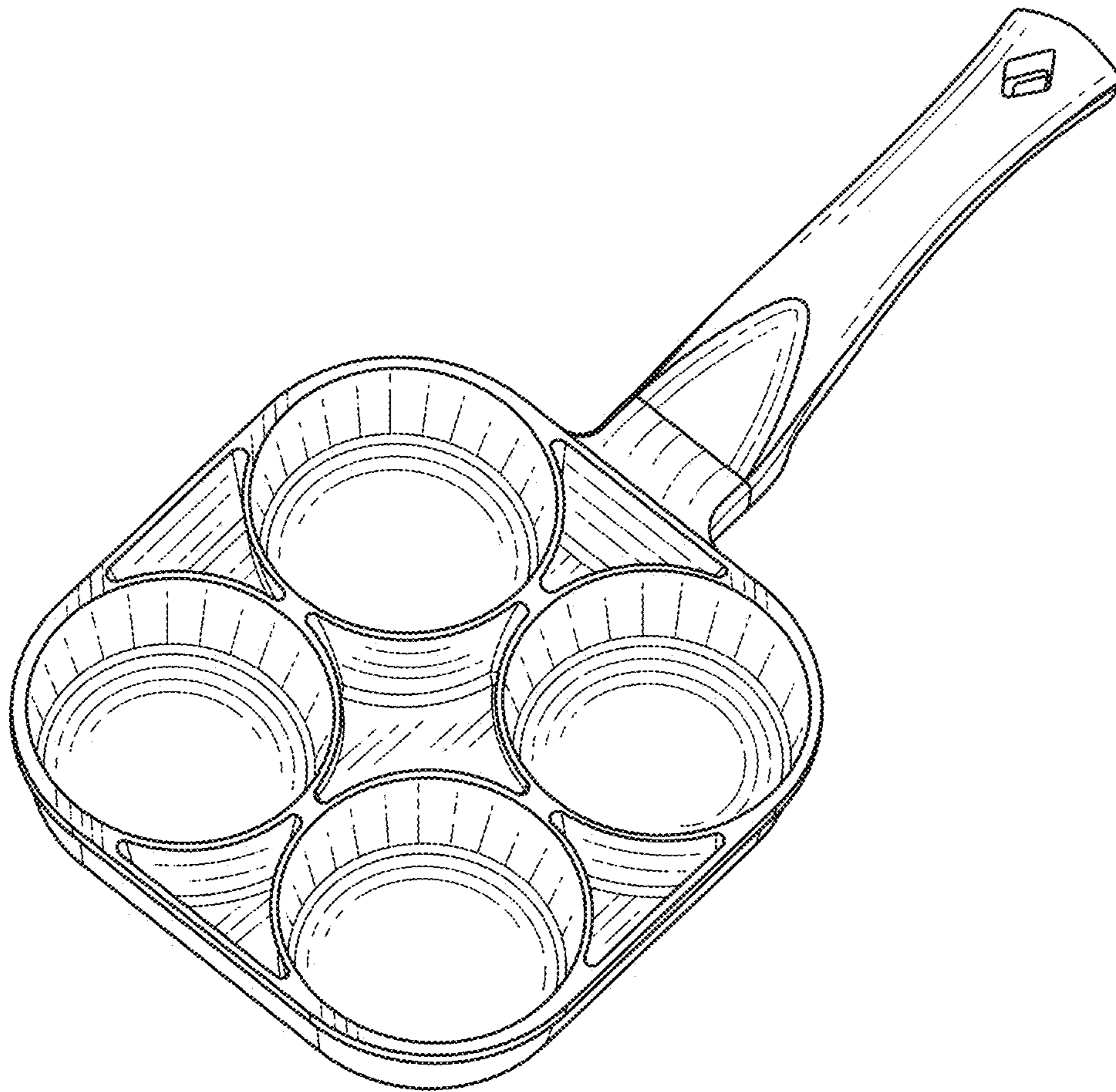


FIG.1

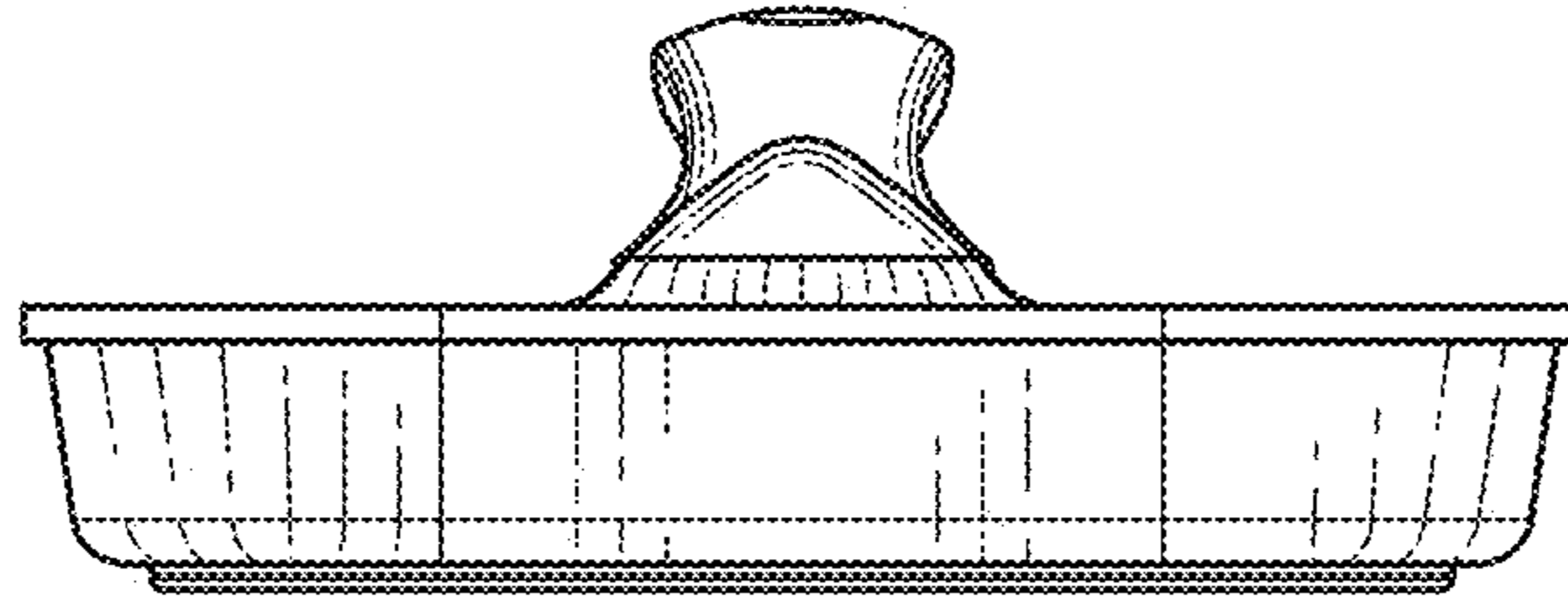


FIG. 2

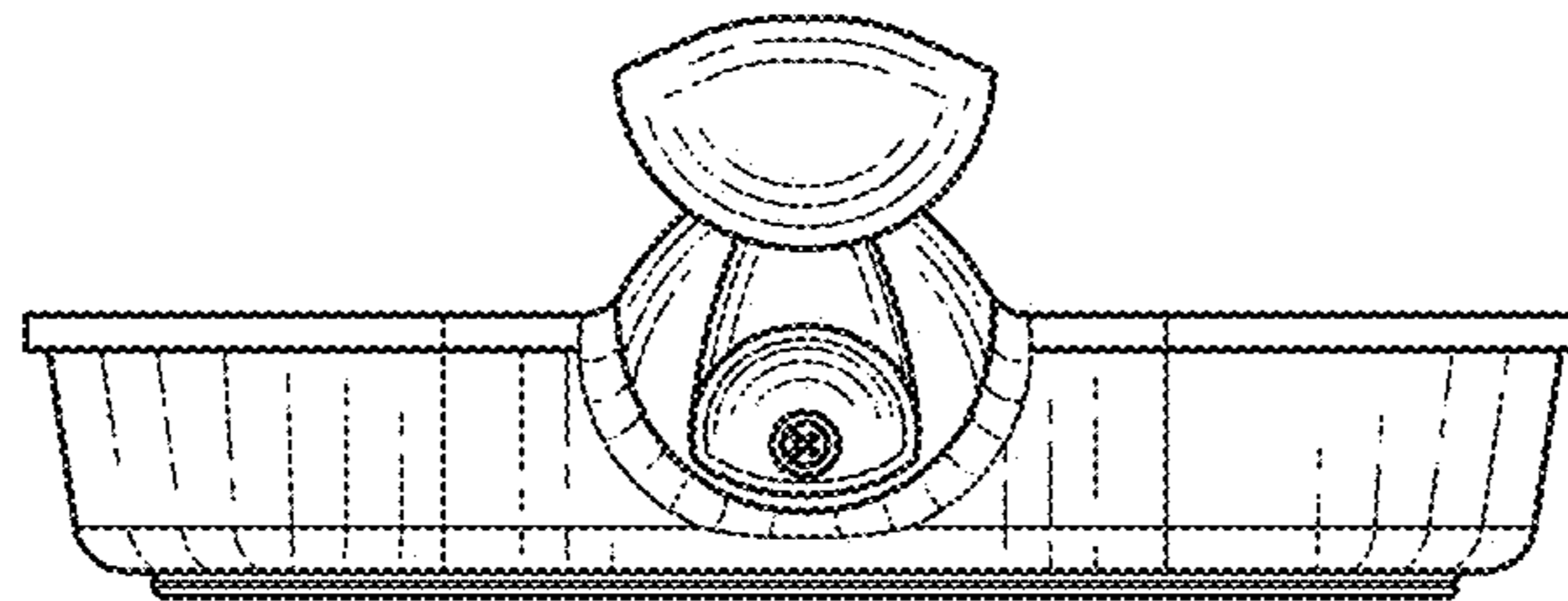


FIG. 3

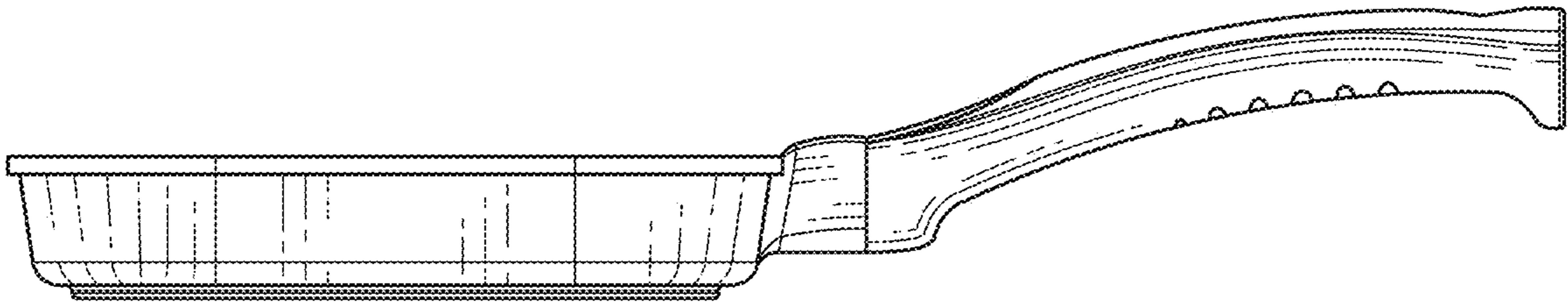


FIG. 4

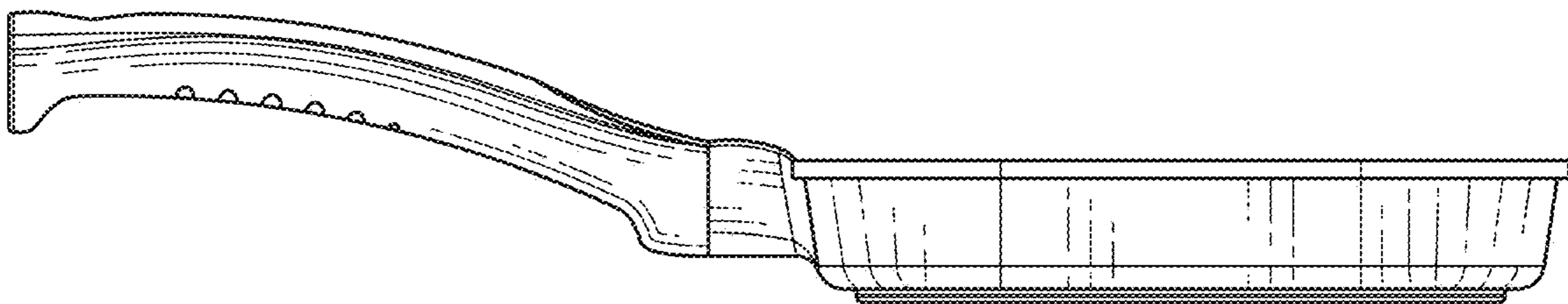


FIG. 5

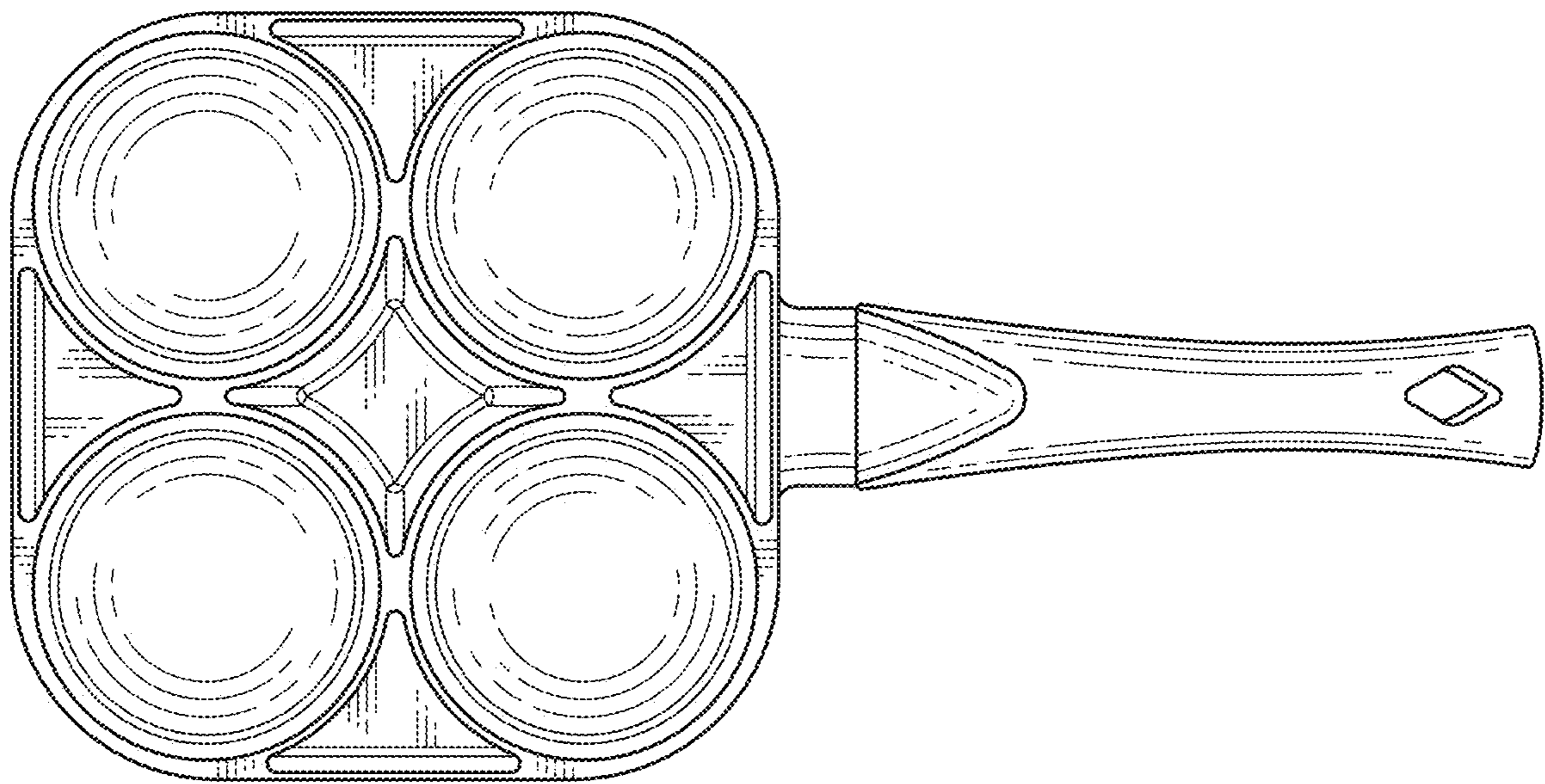


FIG.6

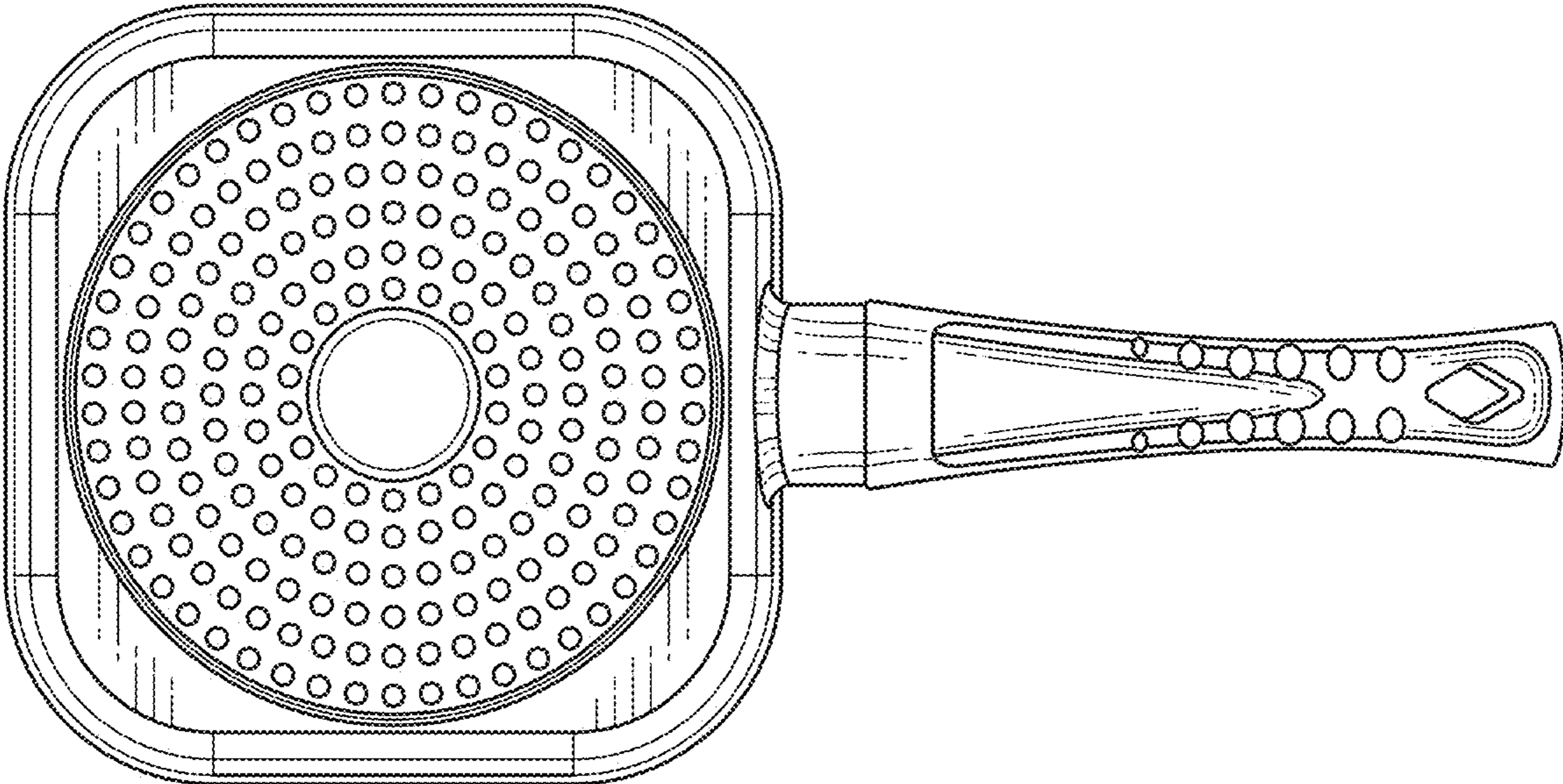


FIG.7