



US00D948919S

(12) **United States Design Patent** (10) **Patent No.:** **US D948,919 S**
Verga (45) **Date of Patent:** **** Apr. 19, 2022**

(54) **FONDUE APPARATUS**
(71) Applicant: **Fabrizio Verga**, Einsiedeln (CH)
(72) Inventor: **Fabrizio Verga**, Einsiedeln (CH)
(**) Term: **15 Years**
(21) Appl. No.: **35/510,632**

D447,665 S * 9/2001 Jorgensen D7/355
D508,367 S * 8/2005 Thurlow D7/355
D547,112 S * 7/2007 Bodum D7/355

FOREIGN PATENT DOCUMENTS

GB 8210841000-1000 * 8/2020

OTHER PUBLICATIONS

Amazon website, Le Regalo 11 piece ceramic fondue set, Date first available on Amazon Dec. 13, 2018, [site visited Sep. 20, 2021], Available on the Internet URL www.amazon.com/Regalo-11-Pieces-Fondue-Set/dp/B07LBSJD8J (Year: 2018).*

* cited by examiner

Primary Examiner — S. Bryan Reinholdt, Jr.

(57) **CLAIM**

The ornamental design for a fondue apparatus, as shown and described.

DESCRIPTION

1. Fondue apparatus
FIG. 1.1 is a front, right and top perspective view of a fondue apparatus showing my new design;
FIG. 1.2 is a rear elevation view thereof;
FIG. 1.3 is a left side elevation view thereof;
FIG. 1.4 is a top plan view thereof;
FIG. 1.5 is a bottom plan view thereof;
FIG. 1.6 is a front elevation view thereof; and
FIG. 1.7 is a right side elevation view thereof.

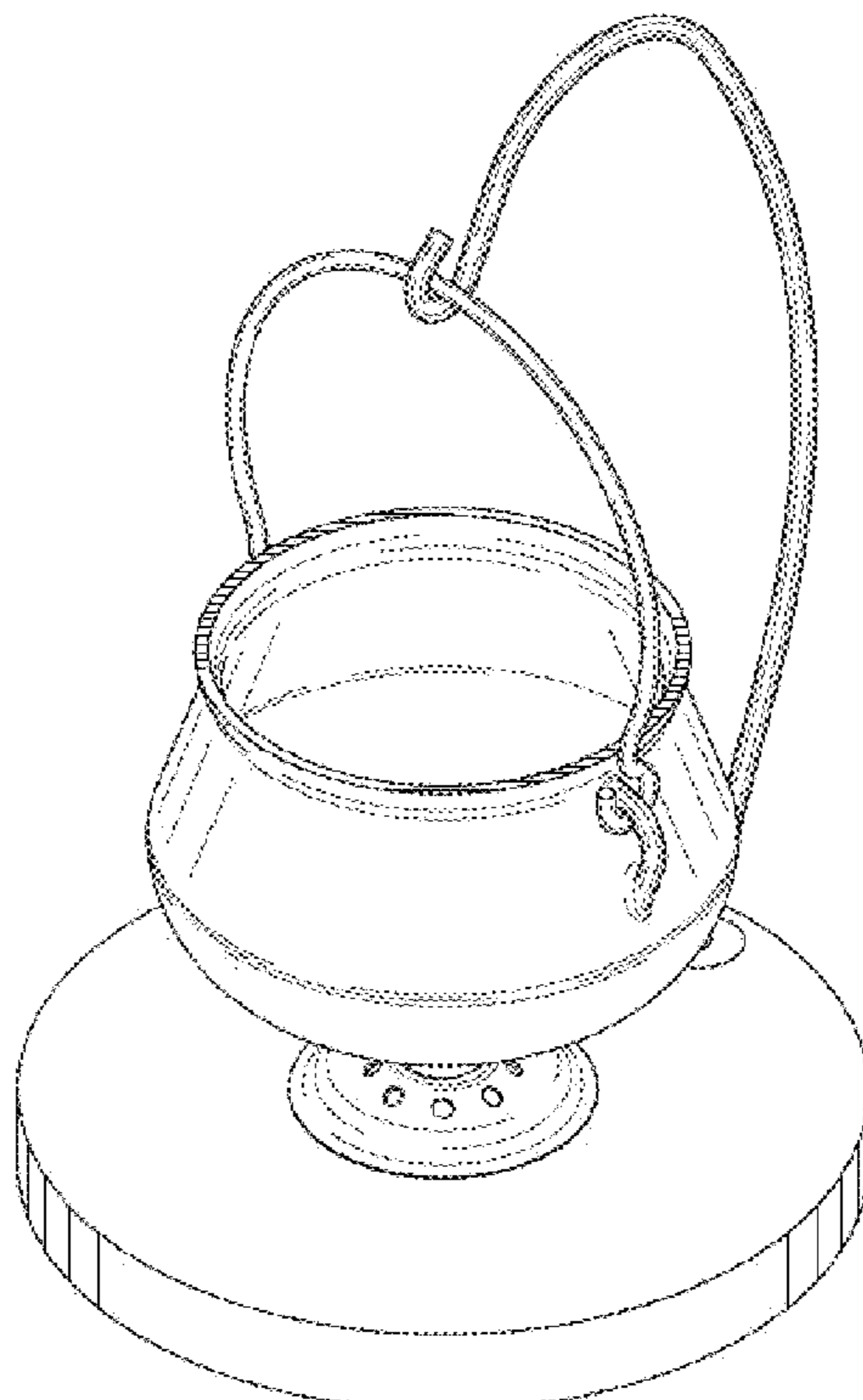
1 Claim, 7 Drawing Sheets

(80) **Hague Agreement Data**
Int. Filing Date: **Aug. 13, 2020**
Int. Reg. No.: **DM/210841**
Int. Reg. Date: **Aug. 13, 2020**
Int. Reg. Pub. Date: **Oct. 30, 2020**
(51) **LOC (13) Cl.** **07-02**
(52) **U.S. Cl.**
USPC **D7/355**
(58) **Field of Classification Search**
USPC D7/313, 355, 362; D26/22
CPC A47J 27/004
See application file for complete search history.

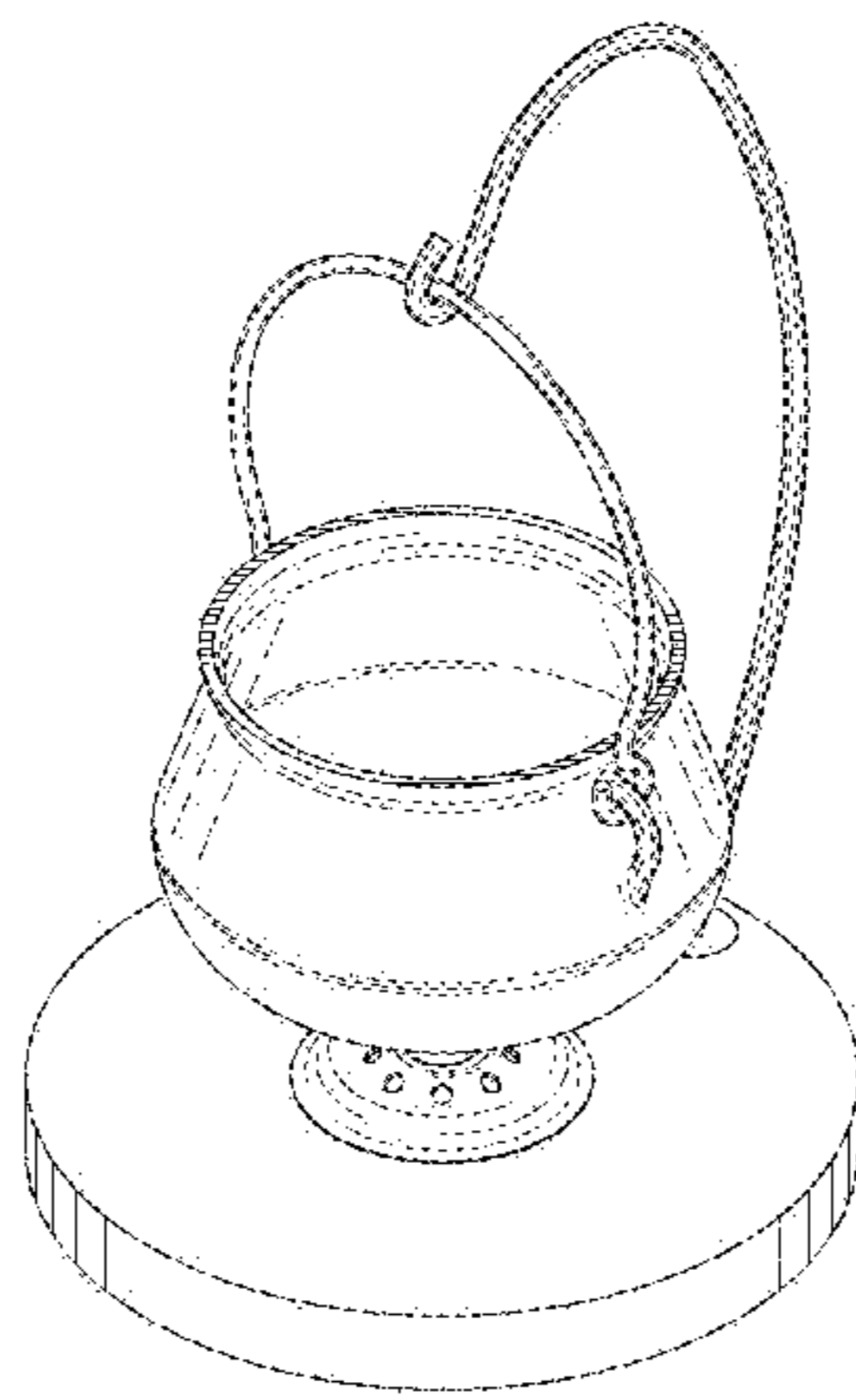
(56) **References Cited**

U.S. PATENT DOCUMENTS

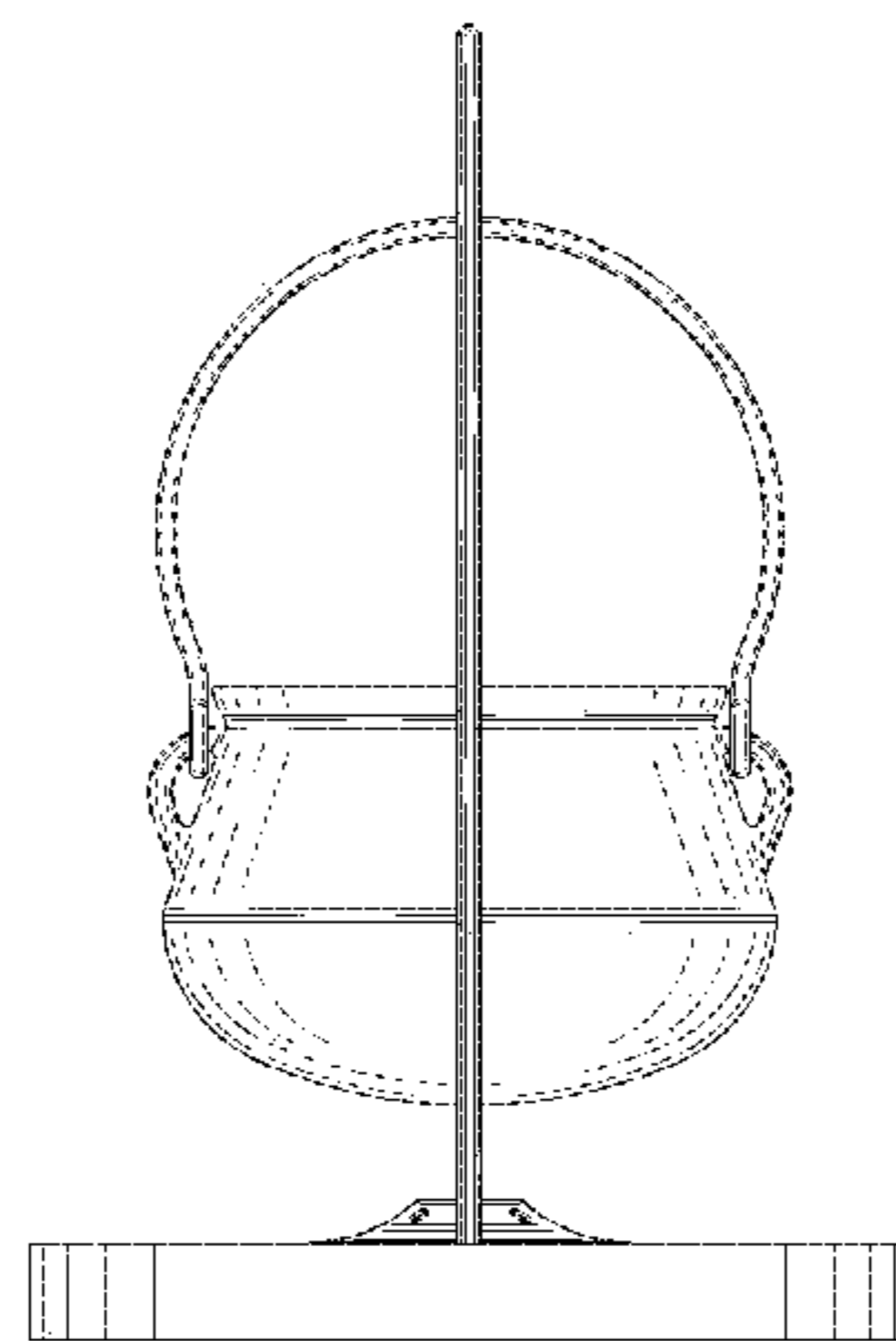
D182,828 S * 5/1958 Lax D7/314
3,038,402 A * 6/1962 Singer A47J 36/06
99/403
D223,385 S * 4/1972 Gruber D7/313



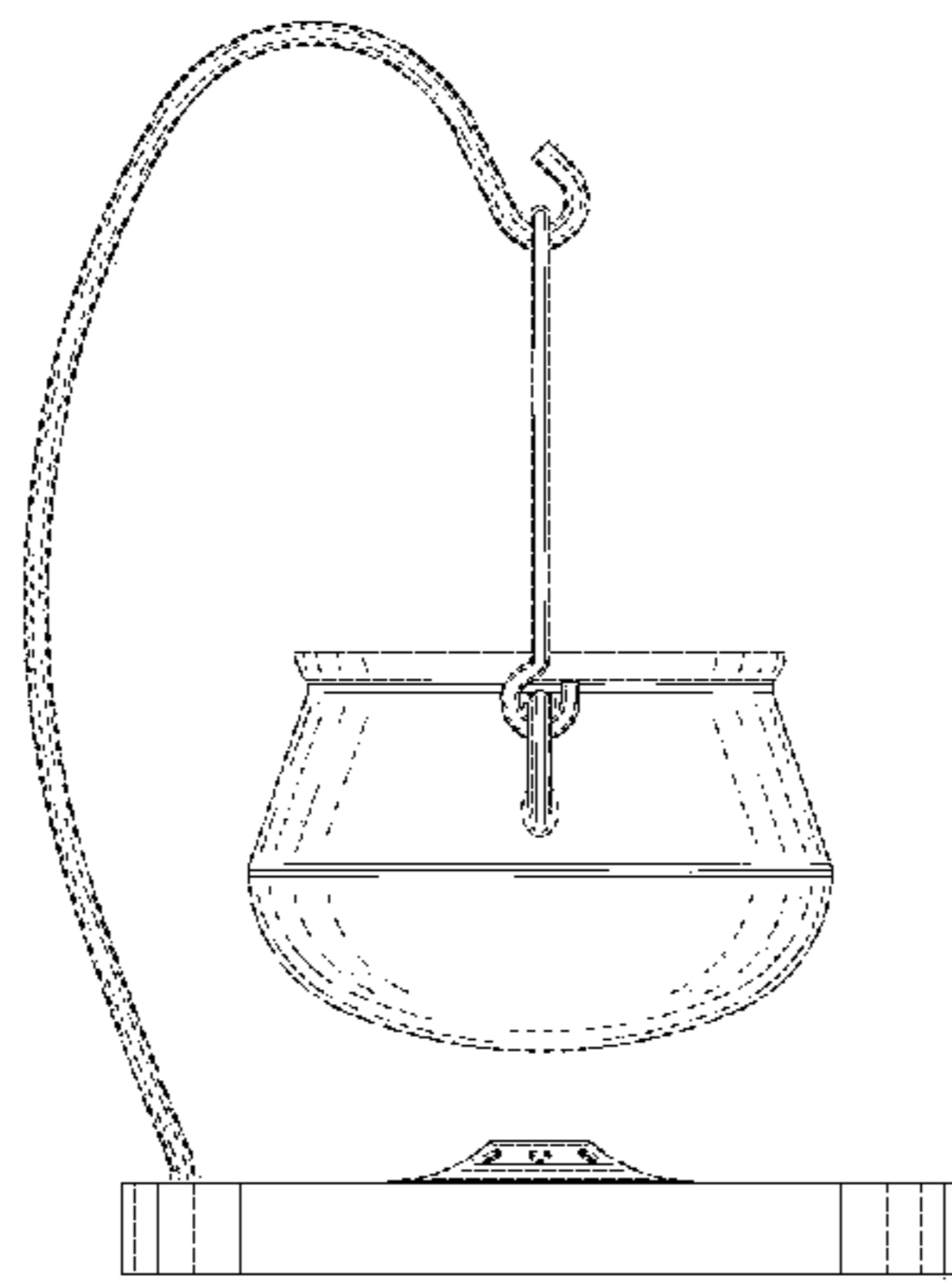
1.1



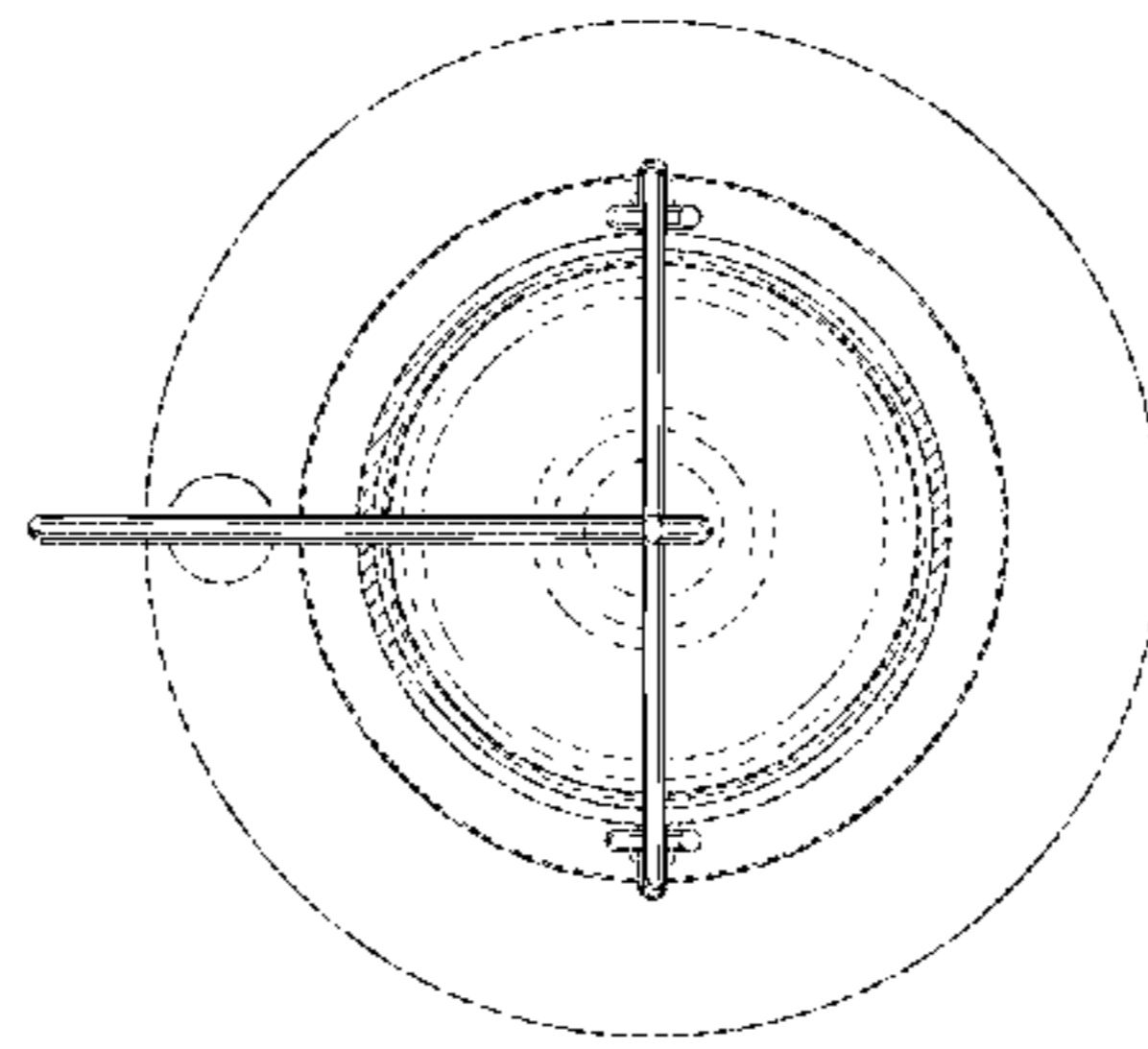
1.2



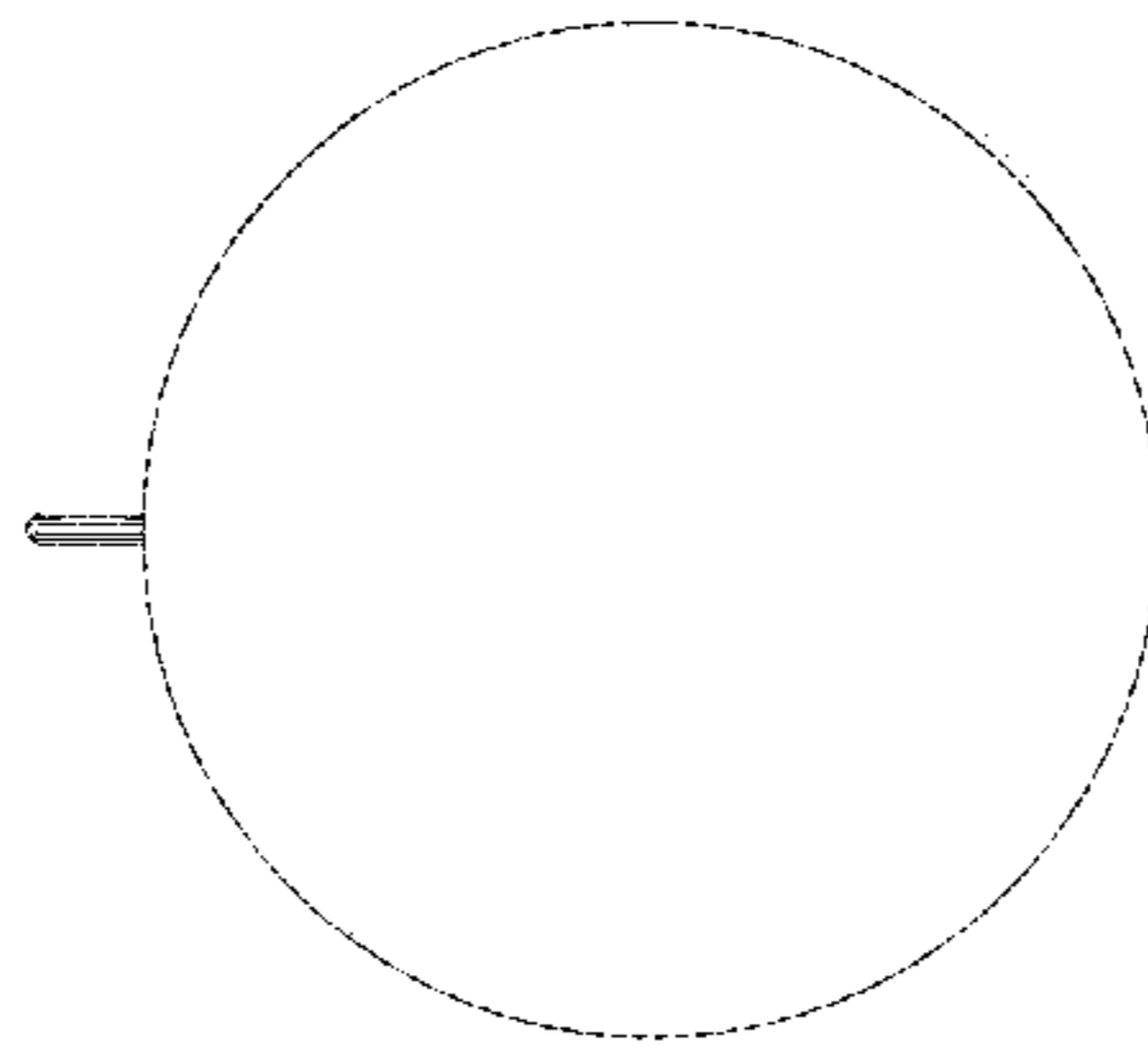
1.3



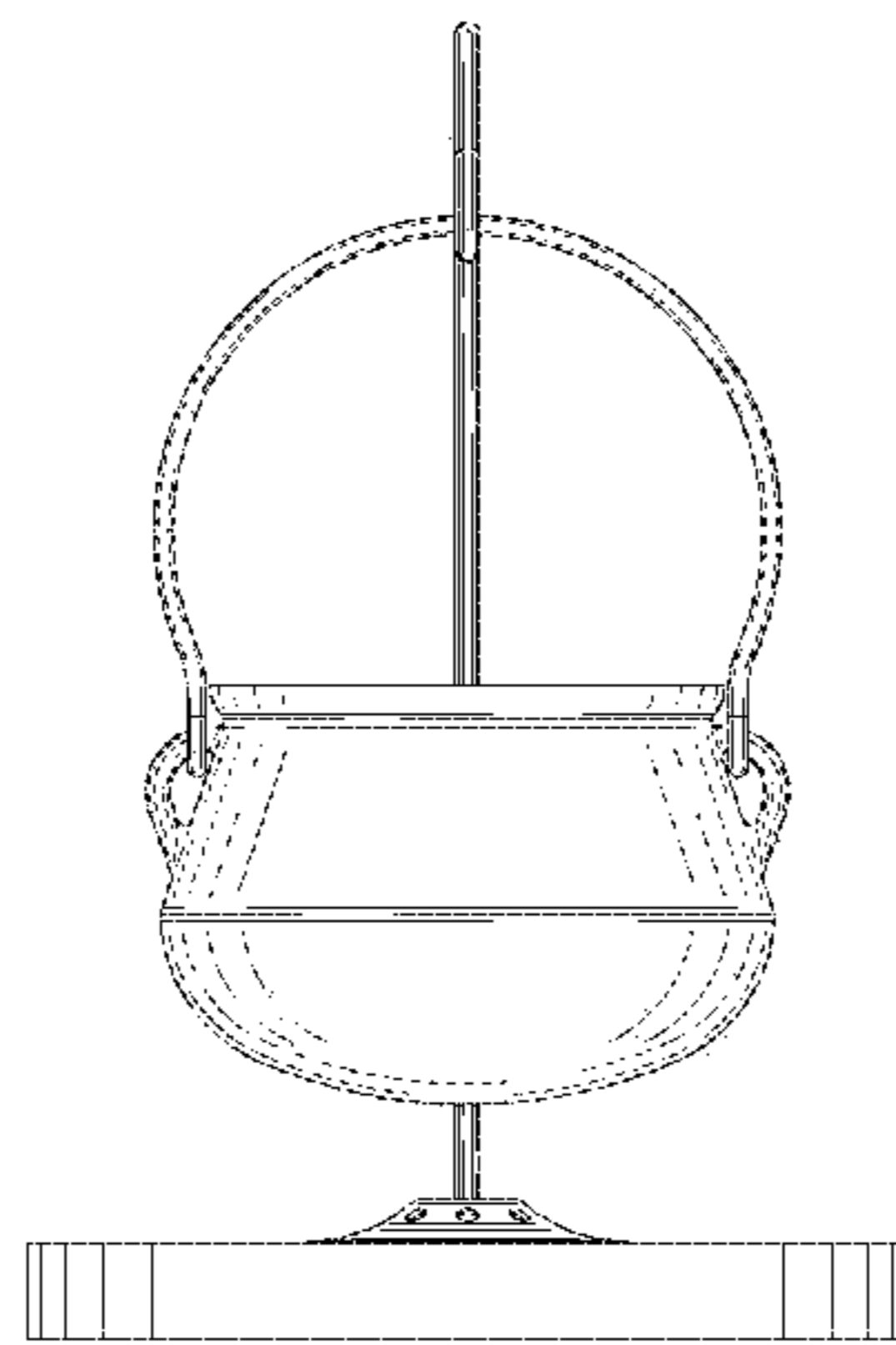
1.4



1.5



1.6



1.7

