



US00D948918S

(12) **United States Design Patent** (10) **Patent No.:** **US D948,918 S**
Czach et al. (45) **Date of Patent:** **** Apr. 19, 2022**

- (54) **OUTDOOR GRILL**
- (71) Applicant: **Traeger Pellet Grills, LLC**, Salt Lake City, UT (US)
- (72) Inventors: **Matthew G. Czach**, Kalamazoo, MI (US); **Kevin Alexander**, Salt Lake City, UT (US); **Patrick McEneany**, Park City, UT (US)
- (73) Assignee: **Traeger Pellet Grills, LLC**, Salt Lake City, UT (US)
- (**) Term: **15 Years**
- (21) Appl. No.: **29/729,957**
- (22) Filed: **Mar. 31, 2020**
- (51) **LOC (13) Cl.** **07-02**
- (52) **U.S. Cl.**
USPC **D7/334; D7/405**
- (58) **Field of Classification Search**
USPC D7/323, 332-339, 347, 387, 402-406, D7/409; D21/523, 524
CPC A47J 37/06; A47J 37/0605; A47J 37/0623; A47J 37/0647; A47J 37/07; A47J 37/0704; A47J 37/0709; A47J 37/0713; A47J 37/0718; A47J 37/0727; A47J 37/0731; A47J 37/074; A47J 37/0745; A47J 37/075; A47J 37/0754; A47J 37/0763
See application file for complete search history.

- D541,101 S 4/2007 Ritterling
- D544,289 S 6/2007 Tseng
- D546,116 S 7/2007 Tseng
- D560,419 S 1/2008 Lockhart et al.
- D563,150 S 3/2008 Chau et al.
- (Continued)

OTHER PUBLICATIONS

Design No. 306618160, Jun. 18, 2021—China National Intellectual Property Administration (CNIPA) Publication Date—Jun. 18, 2021 Owner—Traeger Pellet Grills LLC, Designer—Matthew g chach, et. al. WIPO, available at <https://www3.wipo.int/designdb/en/index.jsp> (Year: 2021).*

(Continued)

Primary Examiner — Mary Ann Calabrese
Assistant Examiner — Natalya M Rapundalo
(74) *Attorney, Agent, or Firm* — TraskBritt

(57) **CLAIM**

The ornamental design for an outdoor grill, as shown and described.

DESCRIPTION

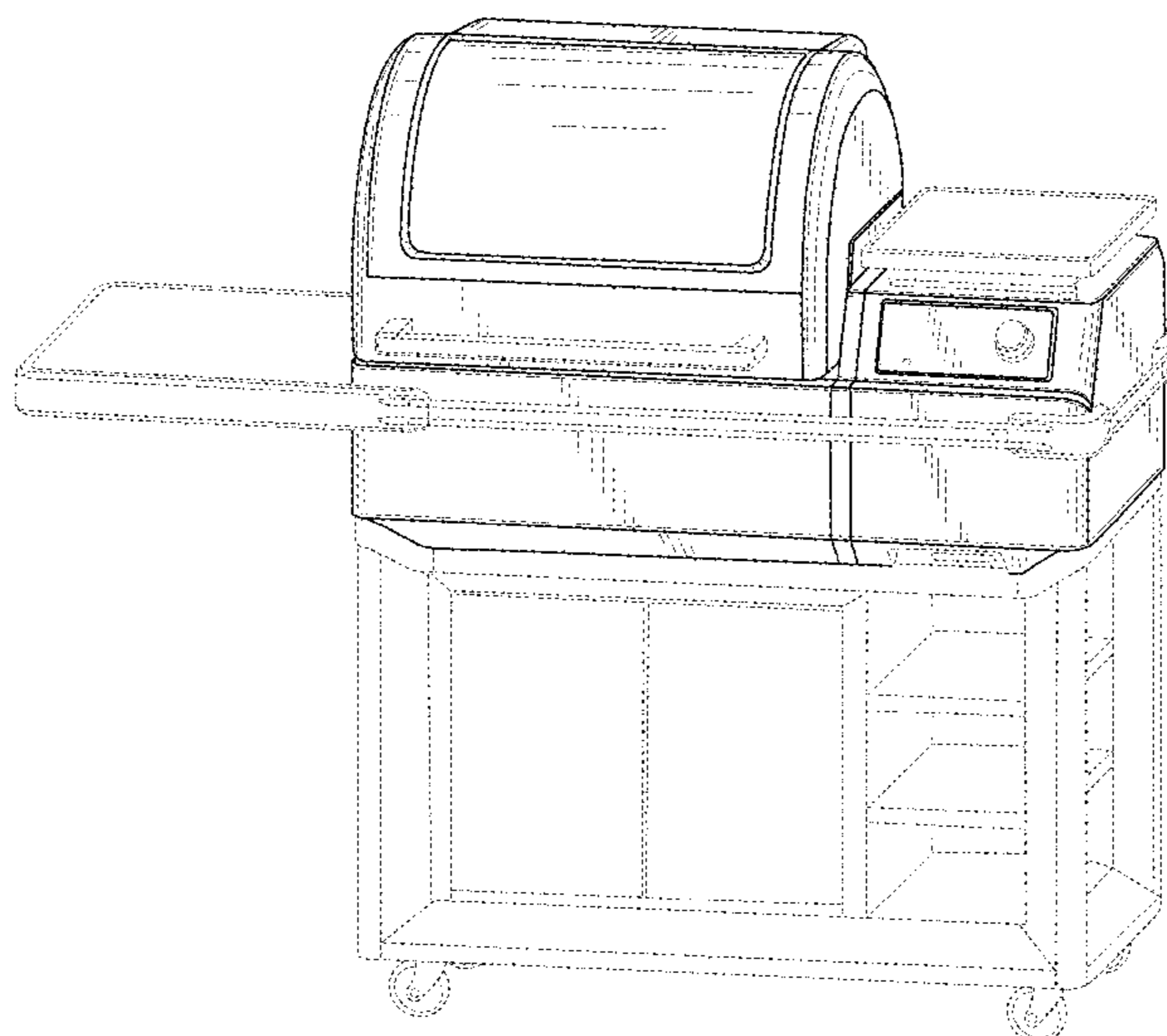
FIG. 1 is a front, right perspective view of our new design for an outdoor grill.
FIG. 2 is a front view of the outdoor grill shown in FIG. 1.
FIG. 3 is a back side view of the outdoor grill shown in FIG. 1.
FIG. 4 is a left side view of the outdoor grill shown in FIG. 1.
FIG. 5 is a right side view of the outdoor grill shown in FIG. 1.
FIG. 6 is a top view of the outdoor grill shown in FIG. 1; and,
FIG. 7 is a bottom view of the outdoor grill shown in FIG. 1.
The broken lines illustrate portions of the outdoor grill and form no part of the claimed design.

1 Claim, 7 Drawing Sheets

(56) **References Cited**

U.S. PATENT DOCUMENTS

- D406,489 S * 3/1999 Williams F24C 1/16 D7/334
- D426,101 S * 6/2000 Pai A47J 37/0704 D7/334
- D456,501 S * 4/2002 Chen D23/343
- D491,410 S * 6/2004 Saunders D7/334
- D536,918 S 2/2007 Wood



(56)

References Cited

U.S. PATENT DOCUMENTS

D581,199 S 11/2008 Chau
 D584,562 S 1/2009 Chau et al.
 D609,045 S 2/2010 Bruno et al.
 D624,782 S 10/2010 Chung
 D636,217 S * 4/2011 Slater D7/334
 D688,517 S 8/2013 Eilgus
 D790,901 S 7/2017 Zhou
 D798,646 S 10/2017 Lira-Nunez
 D820,023 S * 6/2018 Zhou D7/334
 D820,628 S 6/2018 Zhou
 D839,047 S * 1/2019 Colston A47J 37/0704
 D7/402
 10,213,051 B2 * 2/2019 Colston F24C 1/16
 D854,871 S 7/2019 Williams
 D915,812 S * 4/2021 Bennion A23B 4/052
 D7/334

2018/0368618 A1* 12/2018 Measom A23B 4/052
 2019/0133374 A1* 5/2019 McAdams F23B 40/08
 2021/0298333 A1* 9/2021 Strong F23N 5/265

OTHER PUBLICATIONS

Direct Wicker 2021 New Upgrade Wood Pellet Grill and Smoker, Home Depot, [online], [site visited Nov. 11, 2021], Available from internet URL: <https://www.homedepot.com/p/DIRECT-WICKER-2021-New-Upgrade-Wood-Pellet-Grill-and-Smoker-8-in-1-BBQ-Grill-Auto-Temperature-Control-in-Silver-ZPG-L6002E/316877558> (Year: 2021).
 Design No. 306538354, May 14, 2021—China National Intellectual Property Administration (CNIPA) Publication Date—May 14, 2021 Owner-Traeger Pellet Grills LLC, Designer—Ma Xiu g qiahe, et al. WIPO, available at <https://www3.wipo.int/designdb/en/index.jsp> (Year: 2021).

* cited by examiner

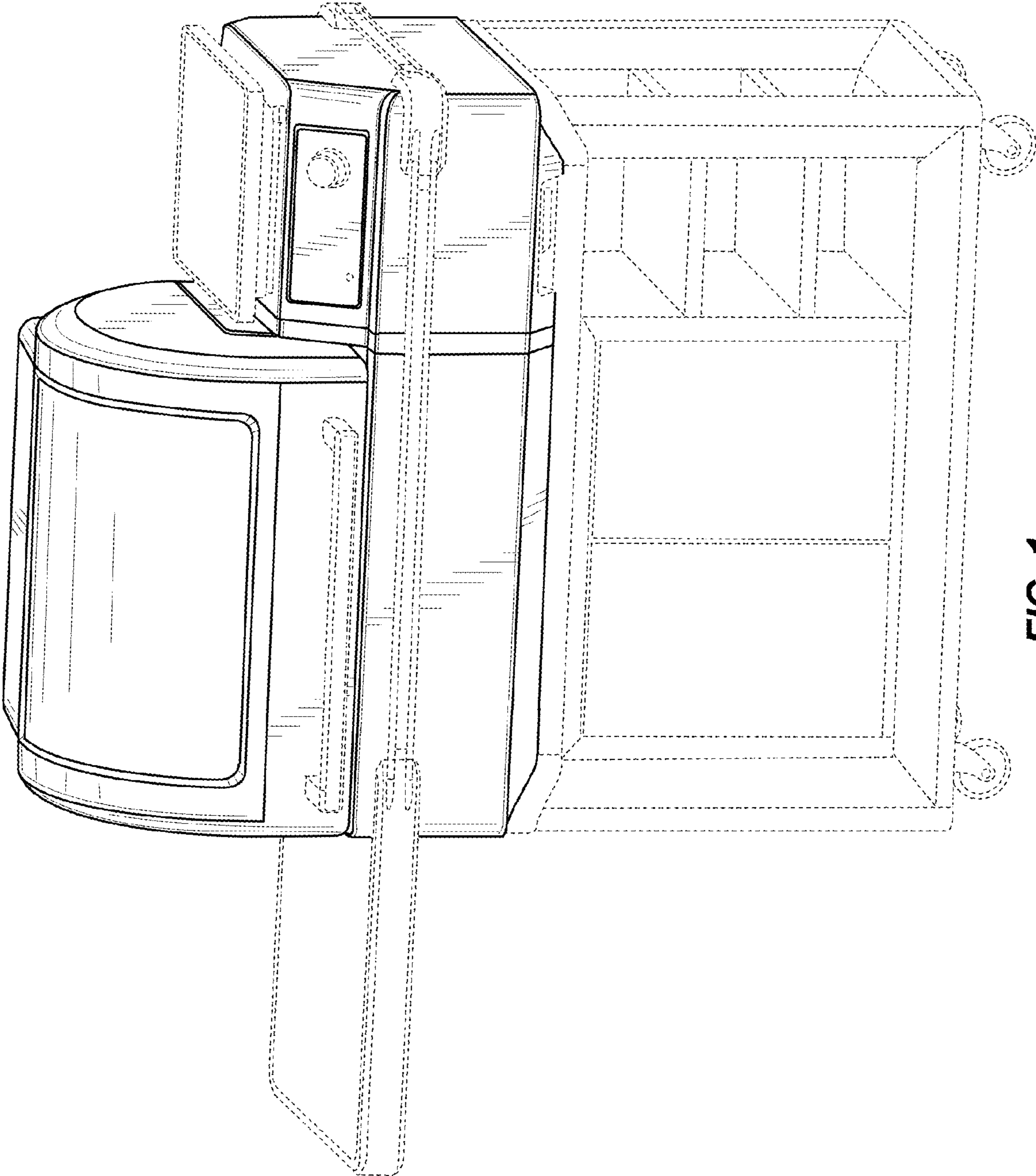


FIG. 1

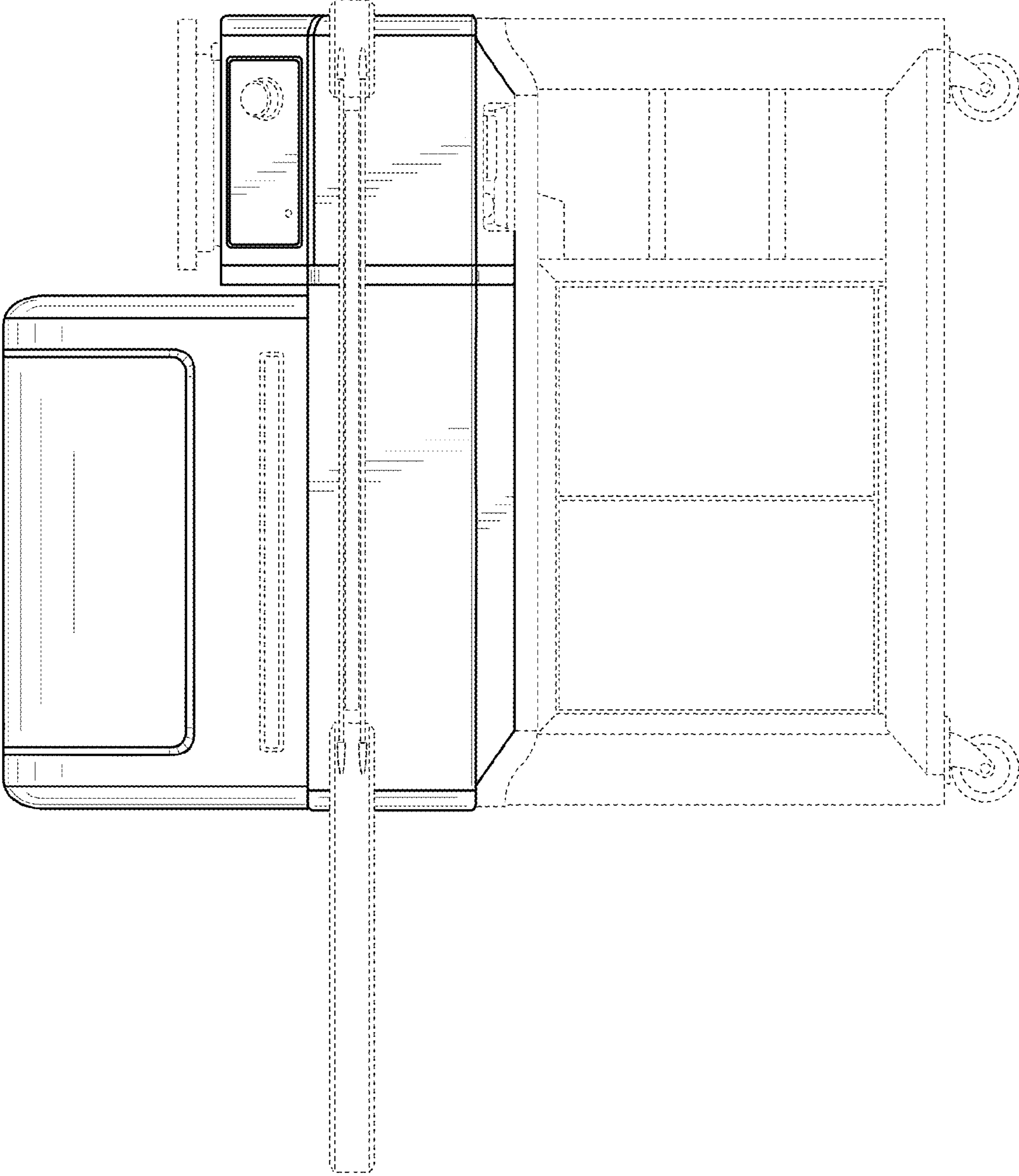


FIG. 2

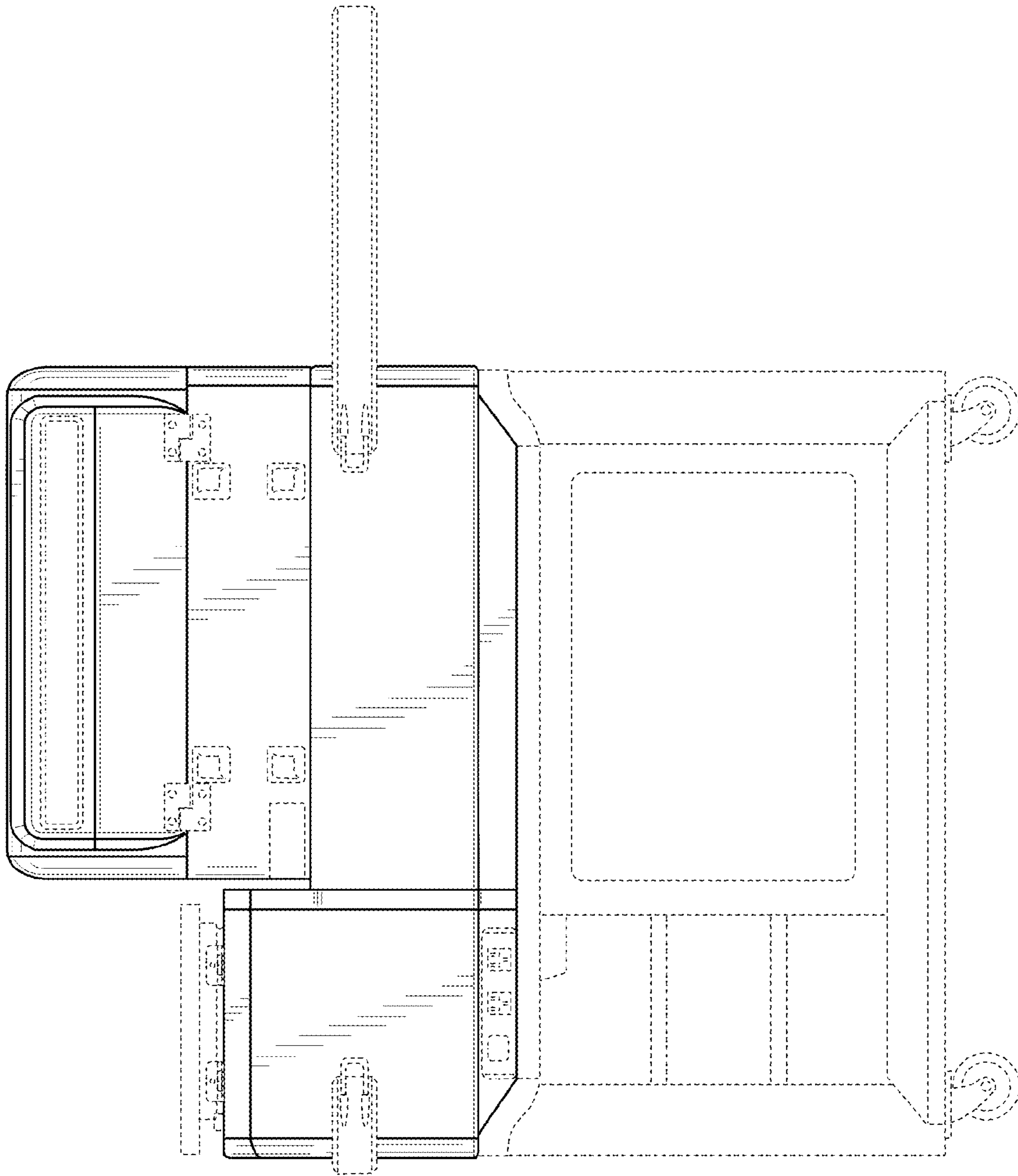


FIG. 3

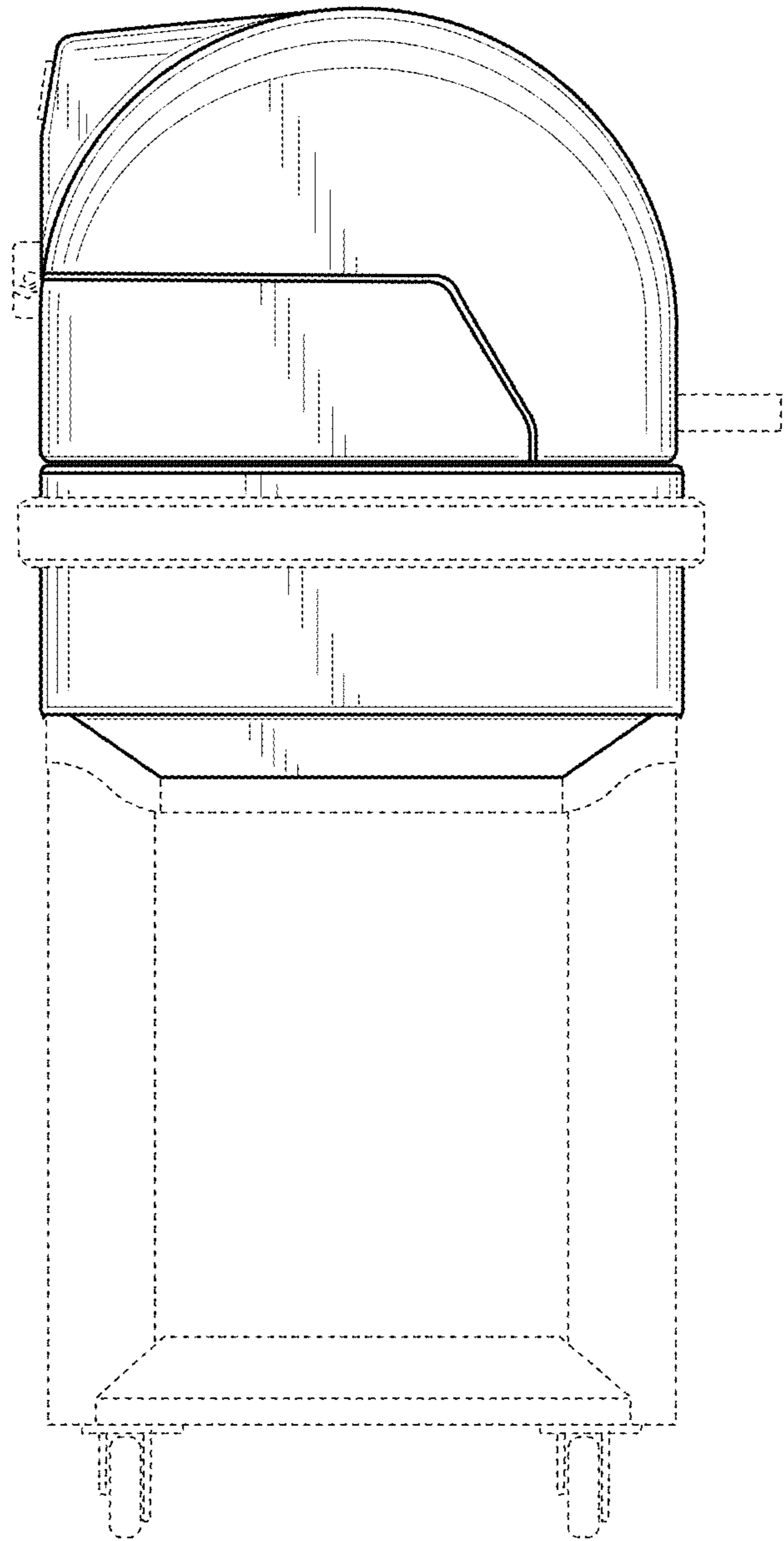


FIG. 4

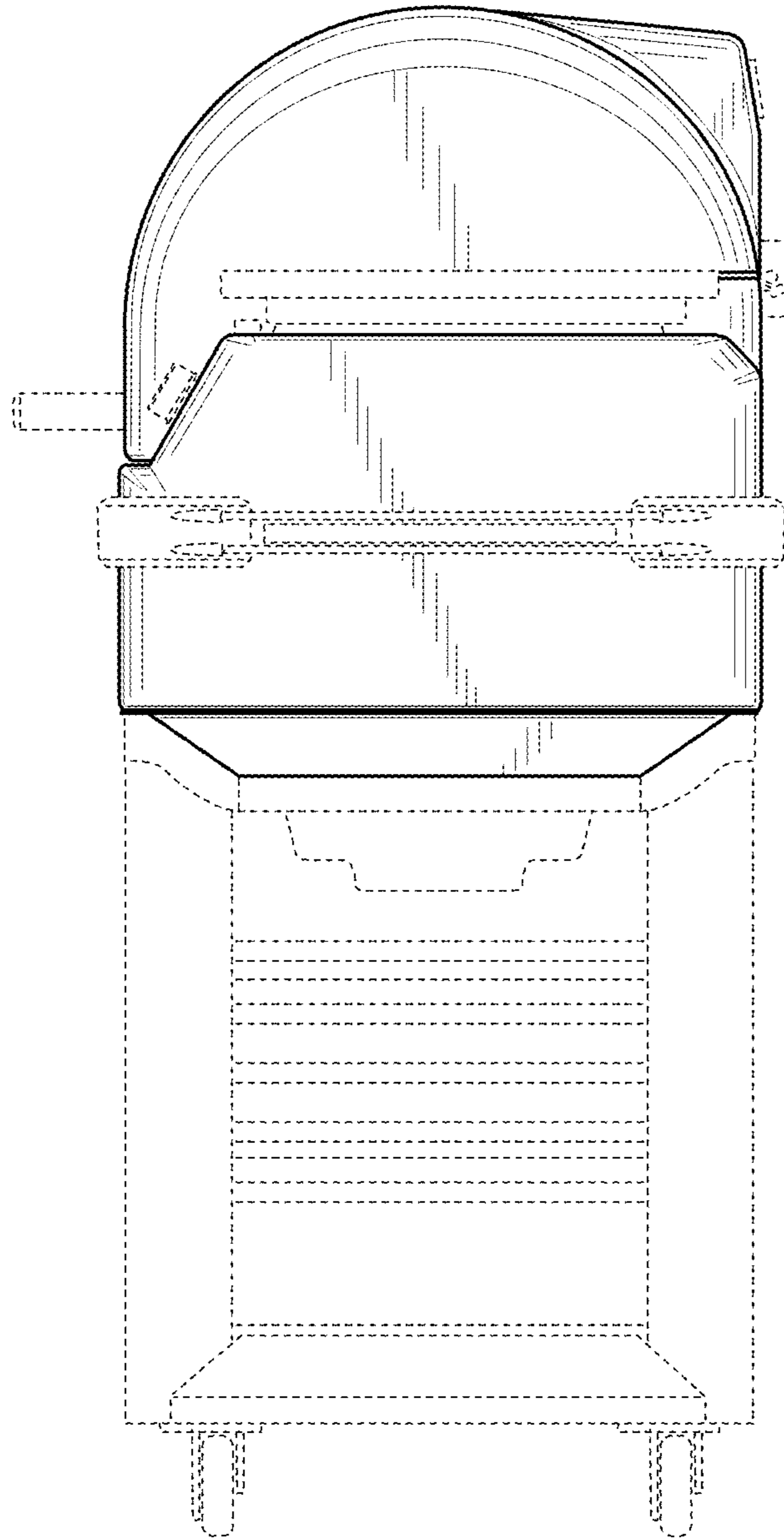


FIG. 5

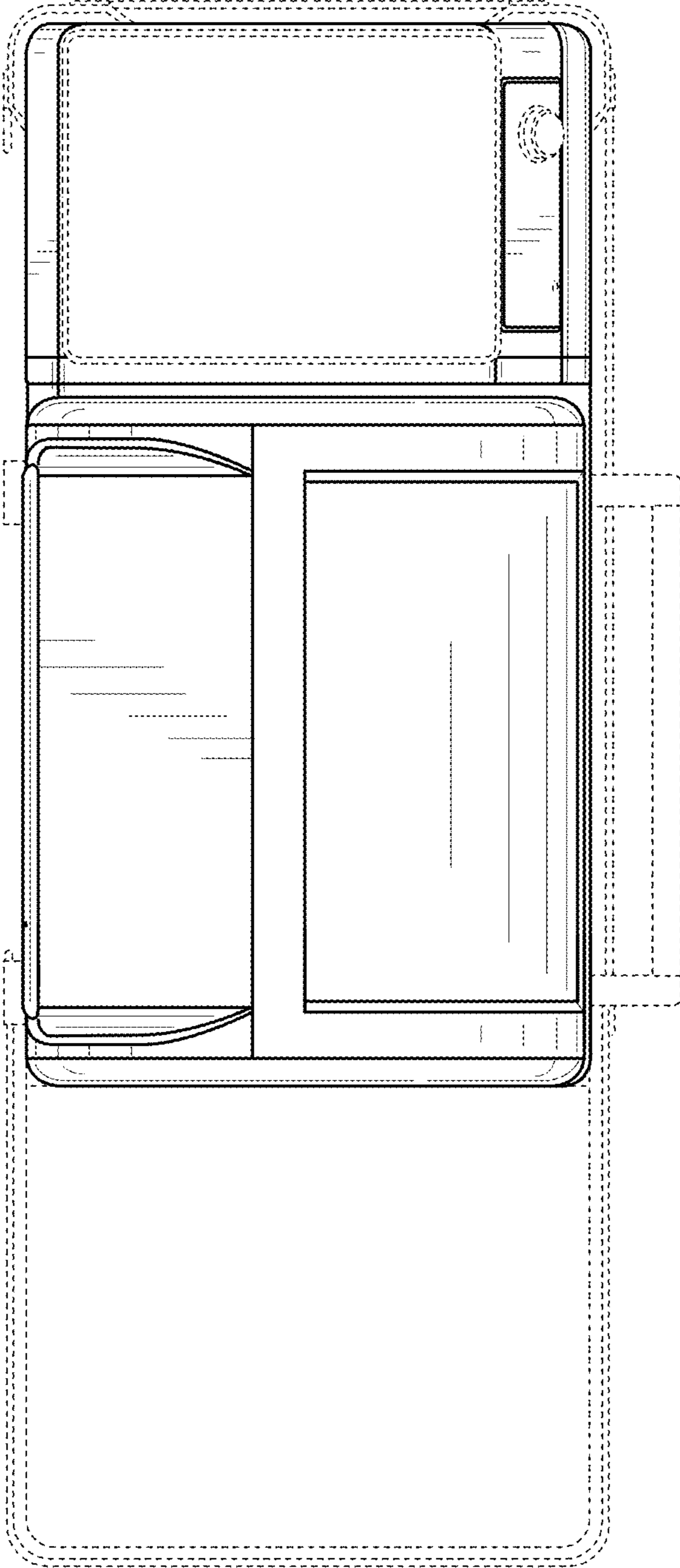


FIG. 6

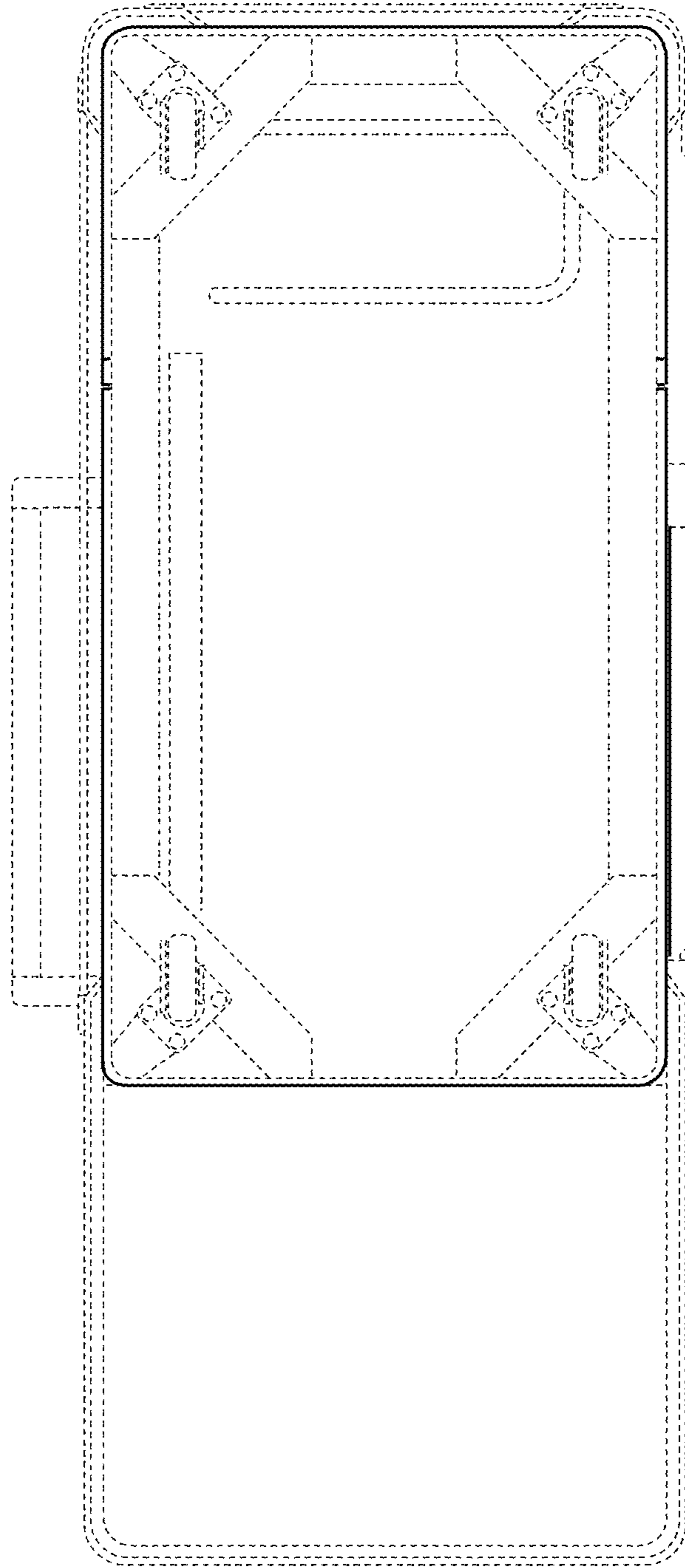


FIG. 7