



US00D948917S

(12) **United States Design Patent**  
**Chung**

(10) **Patent No.:** **US D948,917 S**

(45) **Date of Patent:** **\*\* Apr. 19, 2022**

(54) **BARBECUE GRILL**

(71) Applicant: **Kiosky Chung**, Taichung (TW)

(72) Inventor: **Kiosky Chung**, Taichung (TW)

(\*\*) Term: **15 Years**

(21) Appl. No.: **29/673,574**

(22) Filed: **Dec. 16, 2018**

(51) **LOC (13) Cl.** ..... **07-02**

(52) **U.S. Cl.**  
USPC ..... **D7/334**

(58) **Field of Classification Search**  
USPC ..... D7/323, 331–338, 402–409  
CPC ..... A47J 37/07–0713; A47J 37/0763; A47J  
37/0781

See application file for complete search history.

(56) **References Cited**

**U.S. PATENT DOCUMENTS**

6,439,222	B1 *	8/2002	Dixon	.....	A47J 37/0713	126/276
D465,123	S *	11/2002	Coleman	.....		D7/334
D474,063	S *	5/2003	Eisinger	.....		D7/334
D483,215	S *	12/2003	Eisinger	.....		D7/334
D528,851	S *	9/2006	Chung	.....		D7/334
D529,331	S *	10/2006	Chung	.....		D7/334
D549,510	S *	8/2007	Chung	.....		D7/334
D549,513	S *	8/2007	Chung	.....		D7/334
D550,023	S *	9/2007	Chung	.....		D7/334
D550,501	S *	9/2007	Chung	.....		D7/334
D570,150	S *	6/2008	Pai	.....		D7/334
D572,519	S *	7/2008	Thomas	.....		D7/334
D576,441	S *	9/2008	Chung	.....		D7/334
D607,262	S *	1/2010	Chung	.....		D7/334
D618,035	S *	6/2010	Chung	.....		D7/334
D653,898	S *	2/2012	Chung	.....		D7/337
D653,899	S *	2/2012	Chung	.....		D7/337
D658,926	S *	5/2012	Chung	.....		D7/334
D660,073	S *	5/2012	Chung	.....		D7/334

D660,074	S *	5/2012	Chung	.....	D7/334
D660,075	S *	5/2012	Chung	.....	D7/334
D661,538	S *	6/2012	Chung	.....	D7/334
D679,937	S *	4/2013	Chung	.....	D7/334
D680,794	S *	4/2013	Chung	.....	D7/332
D680,797	S *	4/2013	Chung	.....	D7/334
D687,668	S *	8/2013	Chung	.....	D7/334
D687,669	S *	8/2013	Chung	.....	D7/334

(Continued)

**OTHER PUBLICATIONS**

Weber Spirit II, Mar. 5, 2018, Amazon, <https://www.amazon.com/Weber-45010001-Spirit-Black-Outdoor/dp/B077JTCMKQ> (Year: 2018).\*

(Continued)

*Primary Examiner* — Brett Miller

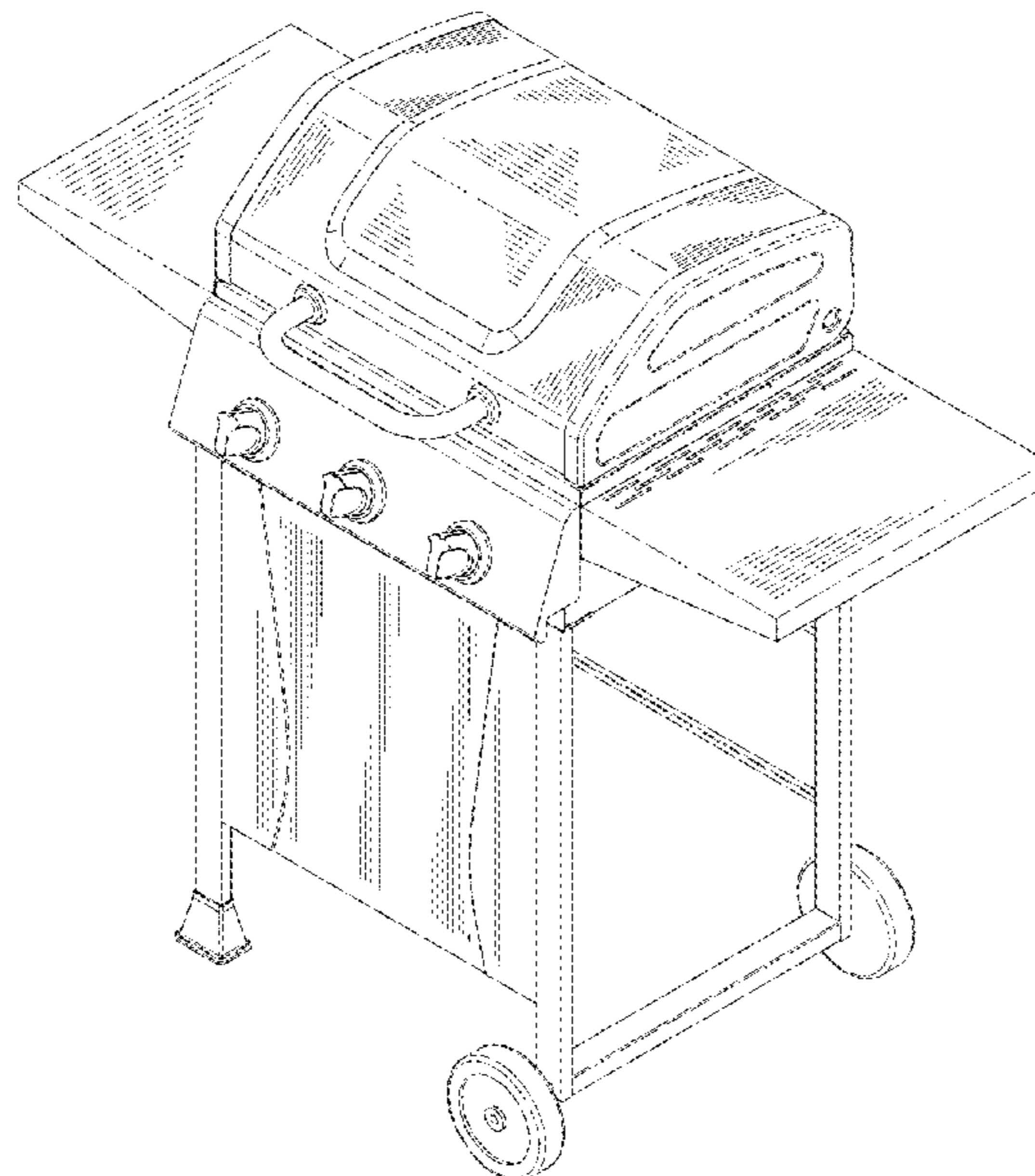
(57) **CLAIM**

I claim the ornamental design for a barbecue grill, as shown and described.

**DESCRIPTION**

FIG. 1 is a perspective view of a barbecue grill of the present invention, showing my design;  
FIG. 2 is a front view of the barbecue grill shown in FIG. 1;  
FIG. 3 is a rear view of the barbecue grill shown in FIG. 1;  
FIG. 4 is a left side view of the barbecue grill shown in FIG. 1,  
FIG. 5 is a right side view of the barbecue grill shown in FIG. 1;  
FIG. 6 is a top view of the barbecue grill shown in FIG. 1;  
and,  
FIG. 7 is a bottom view of the barbecue grill shown in FIG. 1.  
The broken lines depict portions of the barbecue grill that form no part of the claimed design.

**1 Claim, 7 Drawing Sheets**



(56)

**References Cited**

U.S. PATENT DOCUMENTS

D688,511 S *	8/2013	Chung	.....	D7/334
D688,512 S *	8/2013	Chung	.....	D7/334
D722,809 S *	2/2015	Chung	.....	D7/334
D796,250 S *	9/2017	Chung	.....	D7/337
D815,876 S *	4/2018	Stanton	.....	D7/334
D842,637 S *	3/2019	Mansueto	.....	D7/334
D844,361 S *	4/2019	Chung	.....	D7/334
D845,057 S *	4/2019	Lira-Nunez	.....	D7/334
2012/0037143 A1 *	2/2012	Chung	.....	A47J 37/0704 126/25 R

OTHER PUBLICATIONS

Char-Broil Gas2Coal 3-Burner Liquid Propane and Charcoal Hybrid Grill, Jun. 3, 2017, Amazon, <https://www.amazon.com/Char-Broil-Gas2Coal-3-Burner-Propane-Charcoal/dp/B01CBT69DY> (Year: 2017).\*

\* cited by examiner

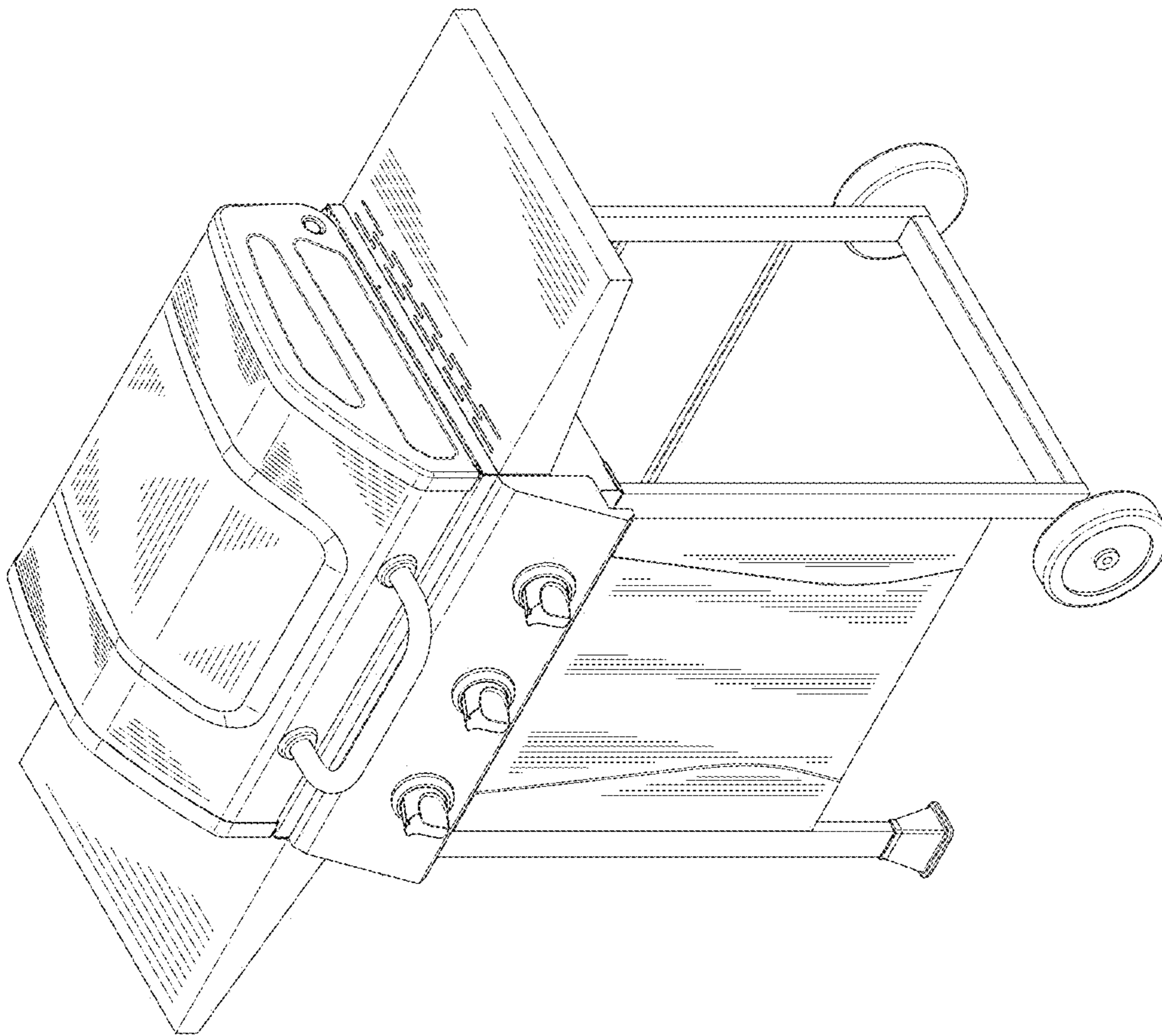


FIG. 1

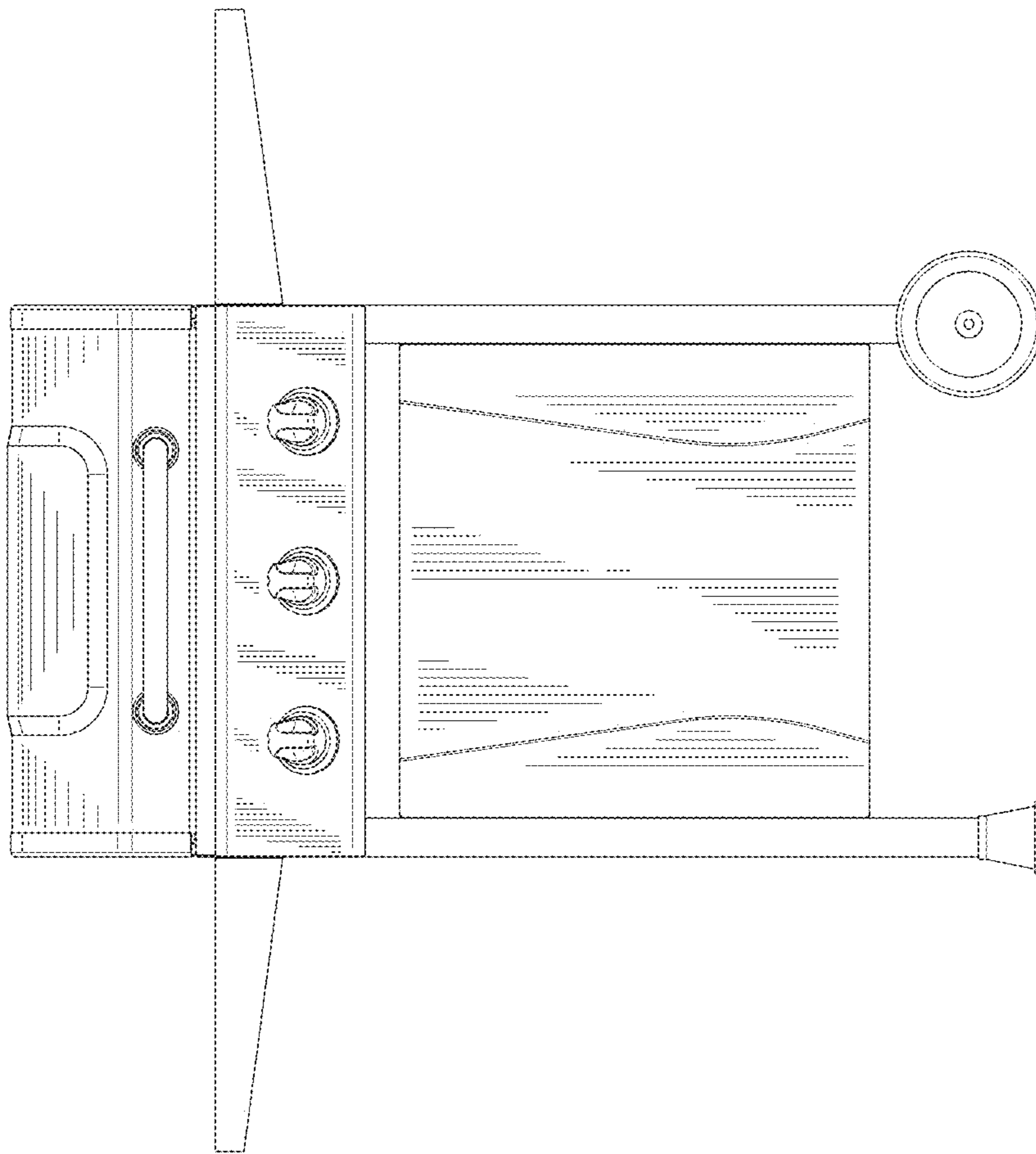


FIG. 2

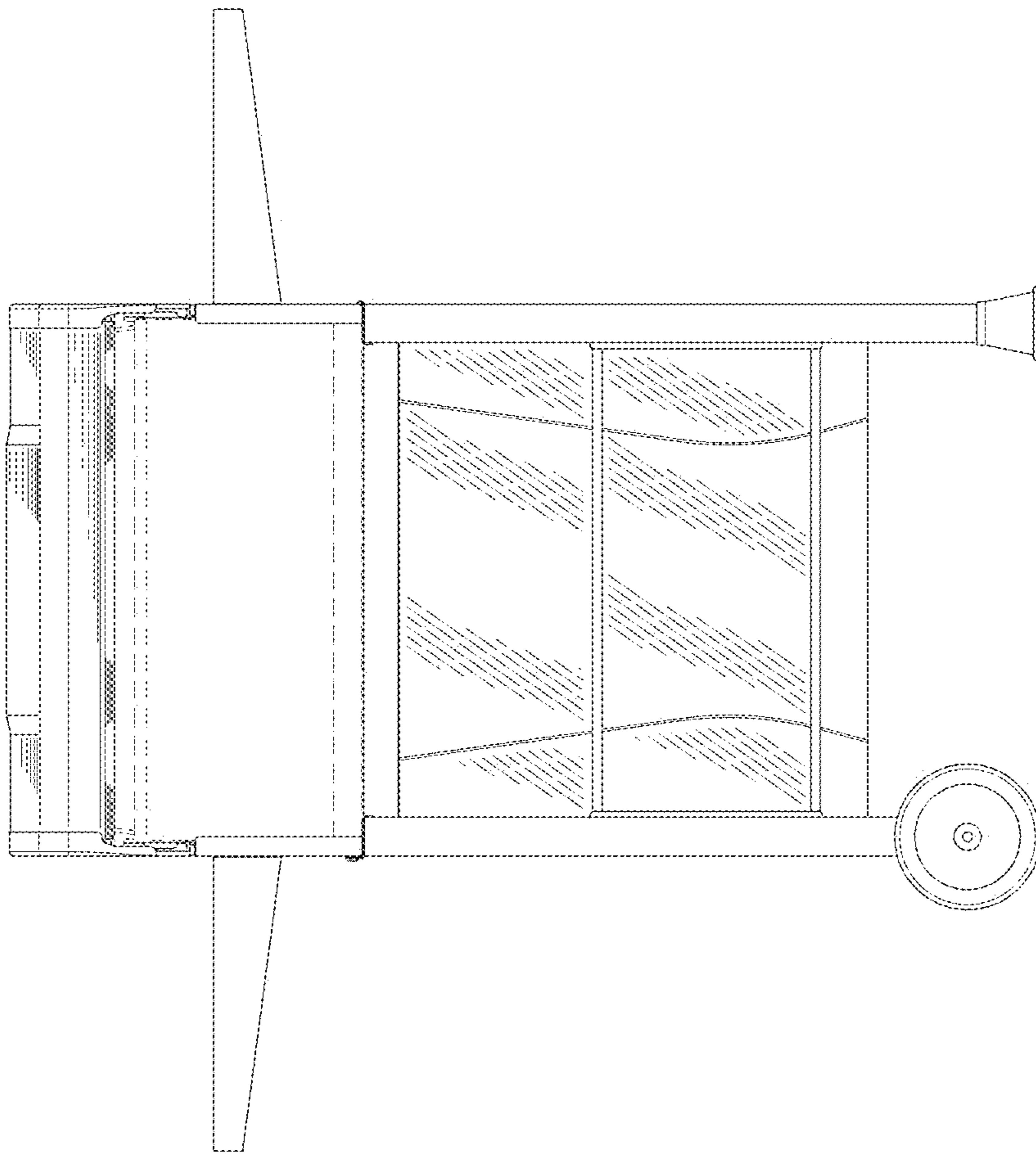


FIG. 3



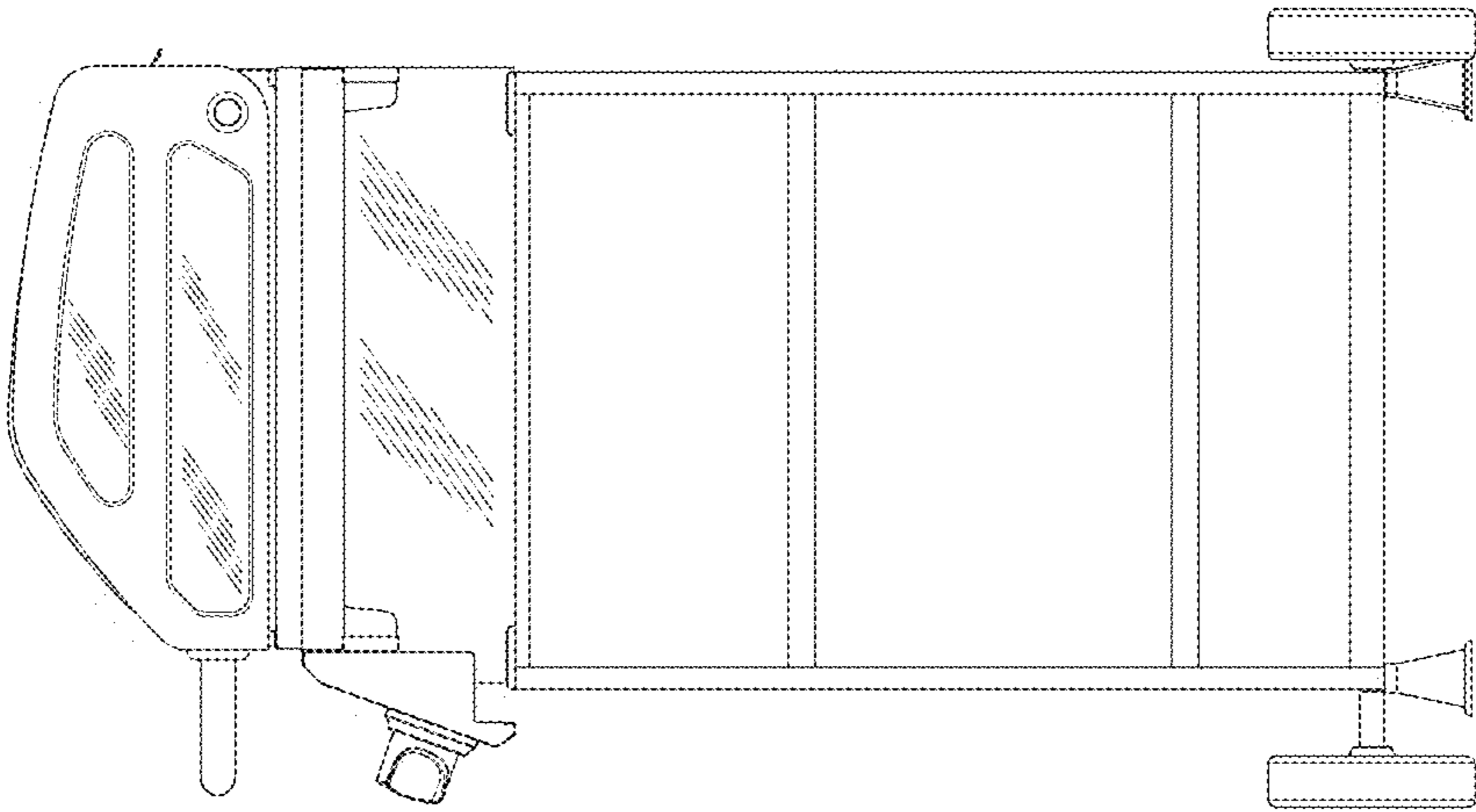


FIG. 4

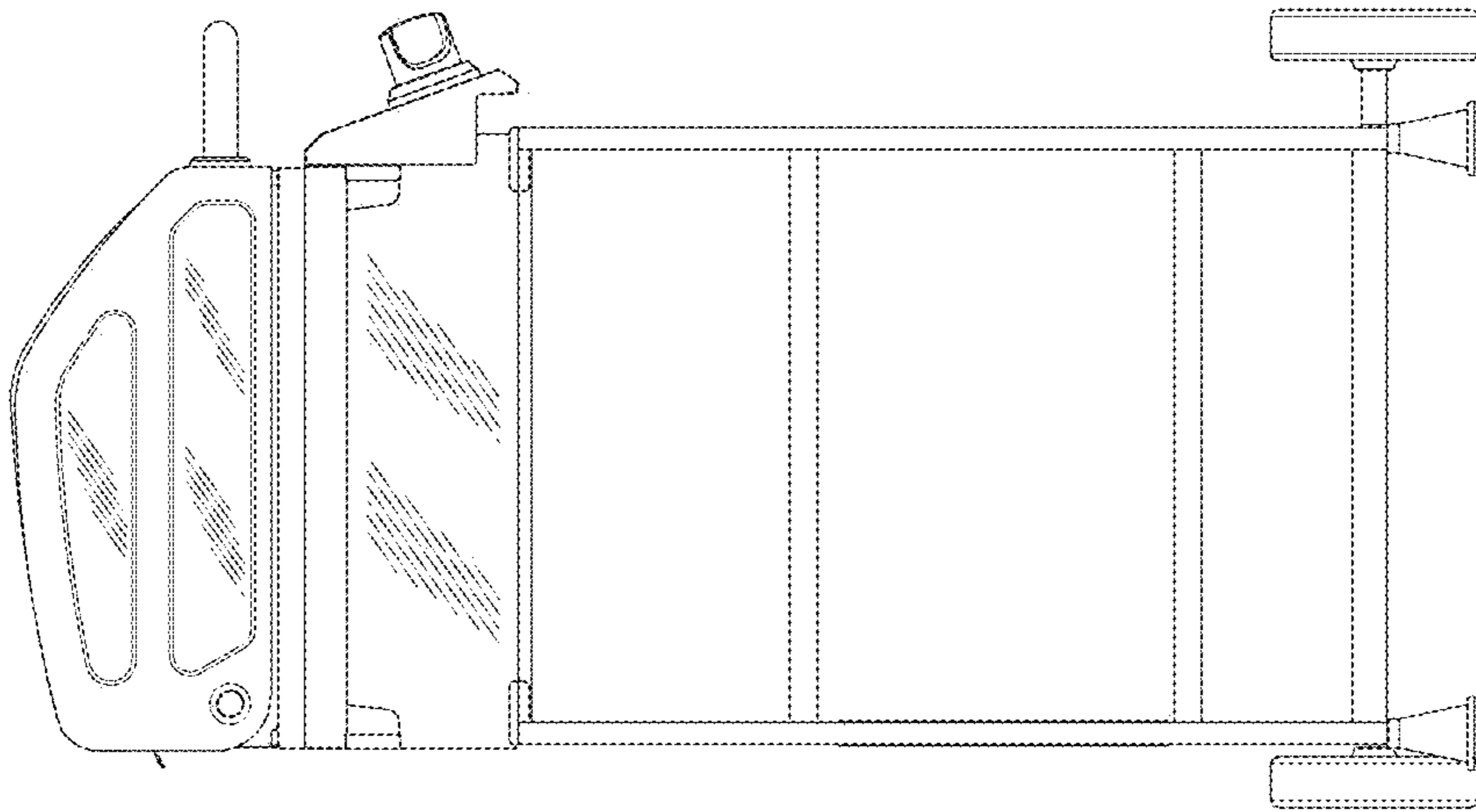


FIG. 5

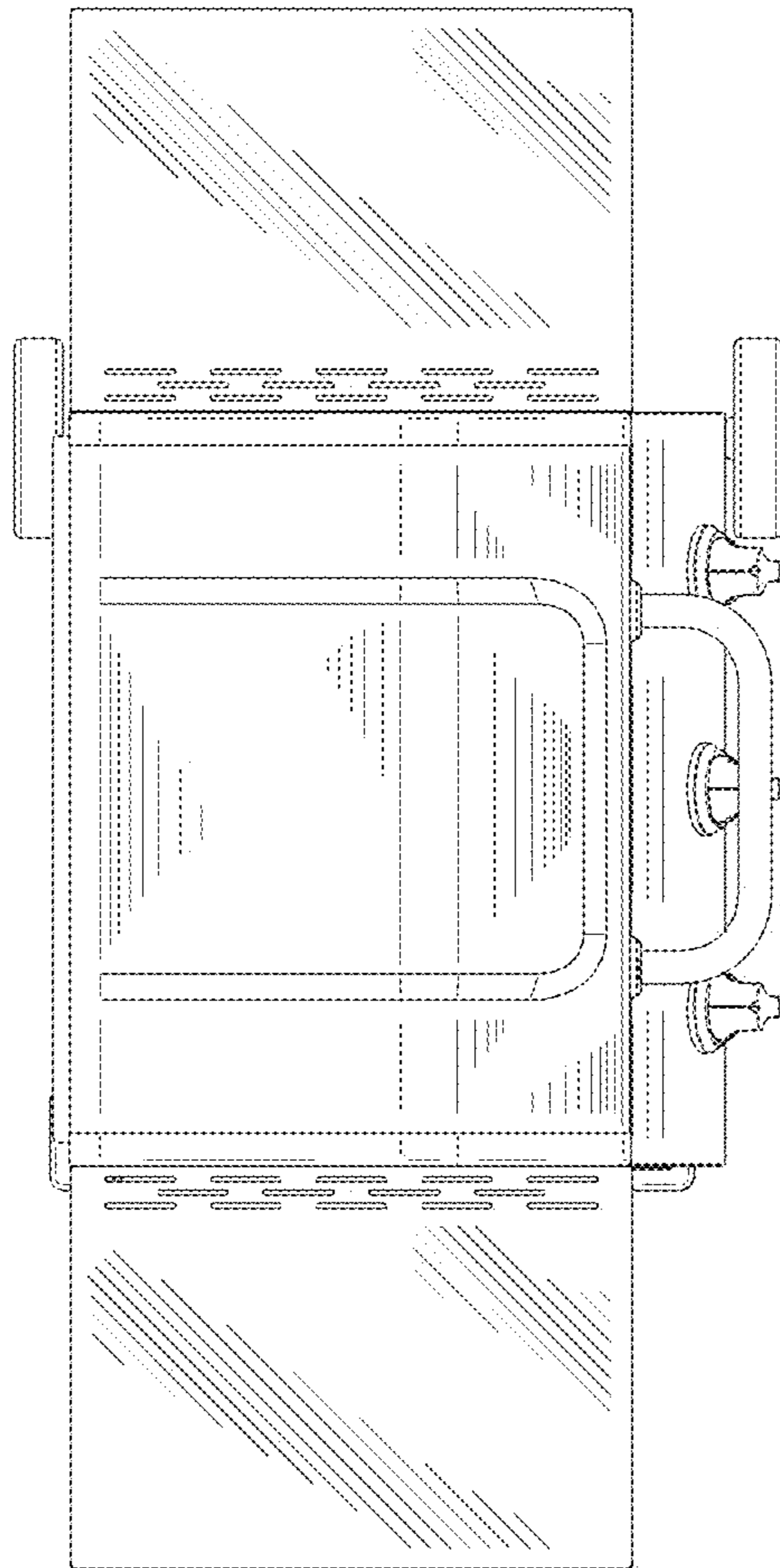


FIG. 6



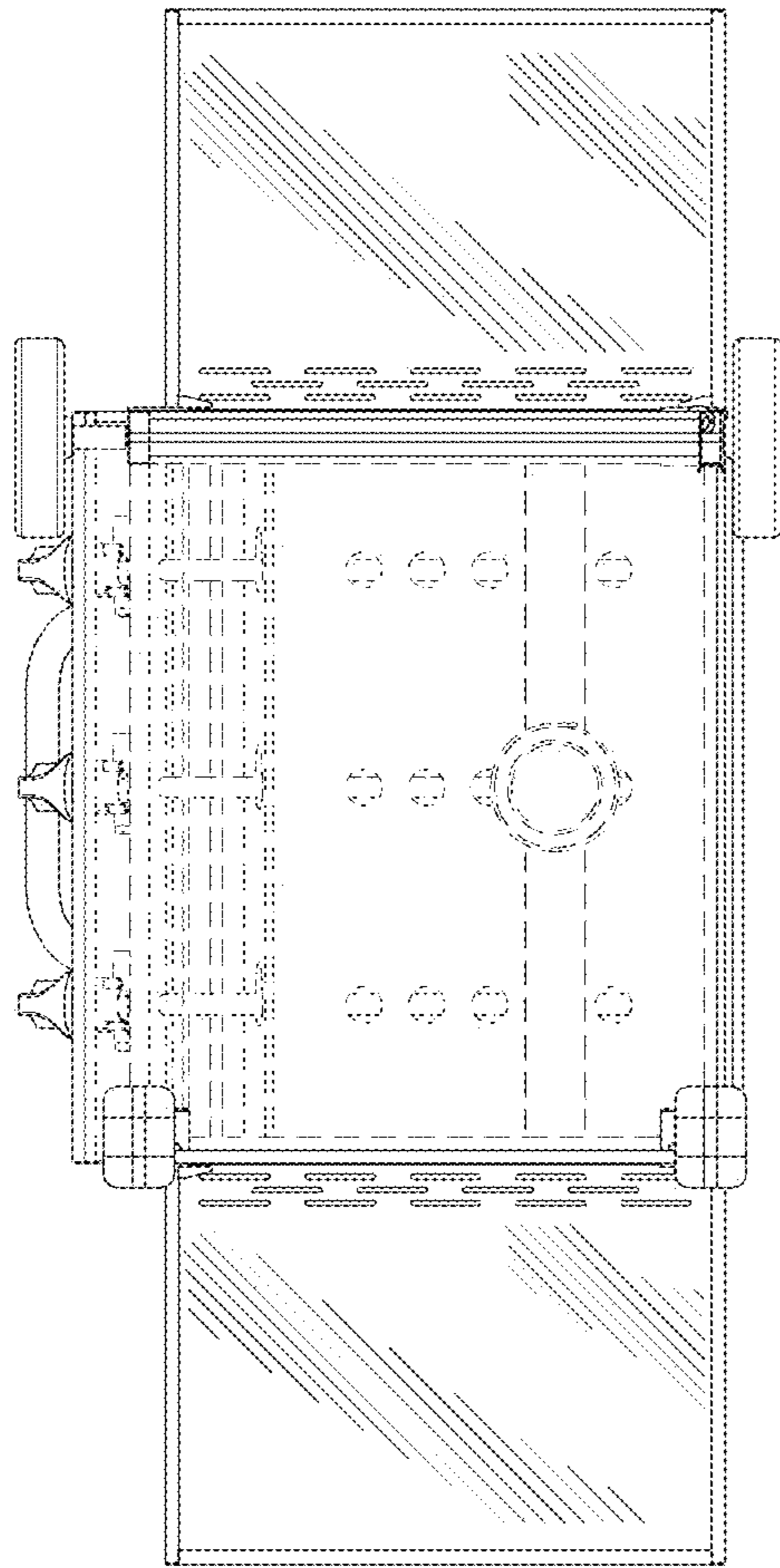


FIG. 7