



US00D948908S

(12) **United States Design Patent** (10) **Patent No.:** **US D948,908 S**
Broen et al. (45) **Date of Patent:** **** Apr. 19, 2022**

- (54) **DISPENSER**
- (71) Applicant: **PepsiCo, Inc.**, Purchase, NY (US)
- (72) Inventors: **Martin Eduardo Broen**, New York, NY (US); **Stephen Lim**, Chappaqua, NY (US); **Christian Stolarz**, Brooklyn, NY (US); **Martin Ivar Franzen**, Milan (IT)
- (73) Assignee: **PepsiCo, Inc.**, Purchase, NY (US)
- (**) Term: **15 Years**
- (21) Appl. No.: **29/725,132**
- (22) Filed: **Feb. 21, 2020**

6,684,920 B2 2/2004 Seitz et al.
 D529,750 S * 10/2006 Baron D7/307
 D551,487 S 9/2007 Beretta
 D589,739 S 4/2009 Giugiaro
 D667,676 S 9/2012 Cahen
 (Continued)

FOREIGN PATENT DOCUMENTS

EM 002318725-0010 1/2013
 JP 1125129 S 10/2001

Primary Examiner — Andrew Kerr
 (74) *Attorney, Agent, or Firm* — Sterne, Kessler, Goldstein & Fox P.L.L.C.

(57) **CLAIM**

The ornamental design for a dispenser, as shown and described.

DESCRIPTION

FIG. 1 is a top front perspective view of a first embodiment of a dispenser showing our new design;
 FIG. 2 is a front view thereof;
 FIG. 3 is a rear view thereof;
 FIG. 4 is a left side view thereof;
 FIG. 5 is a right side view thereof;
 FIG. 6 is a top view thereof;
 FIG. 7 is a bottom view thereof;
 FIG. 8 is a top front perspective view of a second embodiment of a dispenser showing our new design;
 FIG. 9 is a front view thereof;
 FIG. 10 is a rear view thereof;
 FIG. 11 is a left side view thereof;
 FIG. 12 is a right side view thereof;
 FIG. 13 is a top view thereof; and,
 FIG. 14 is a bottom view thereof.
 The broken lines in the figures show portions of the dispenser that form no part of the claimed design.
 The gray-shaded portions of the dispenser represent a contrast in appearance.

Related U.S. Application Data

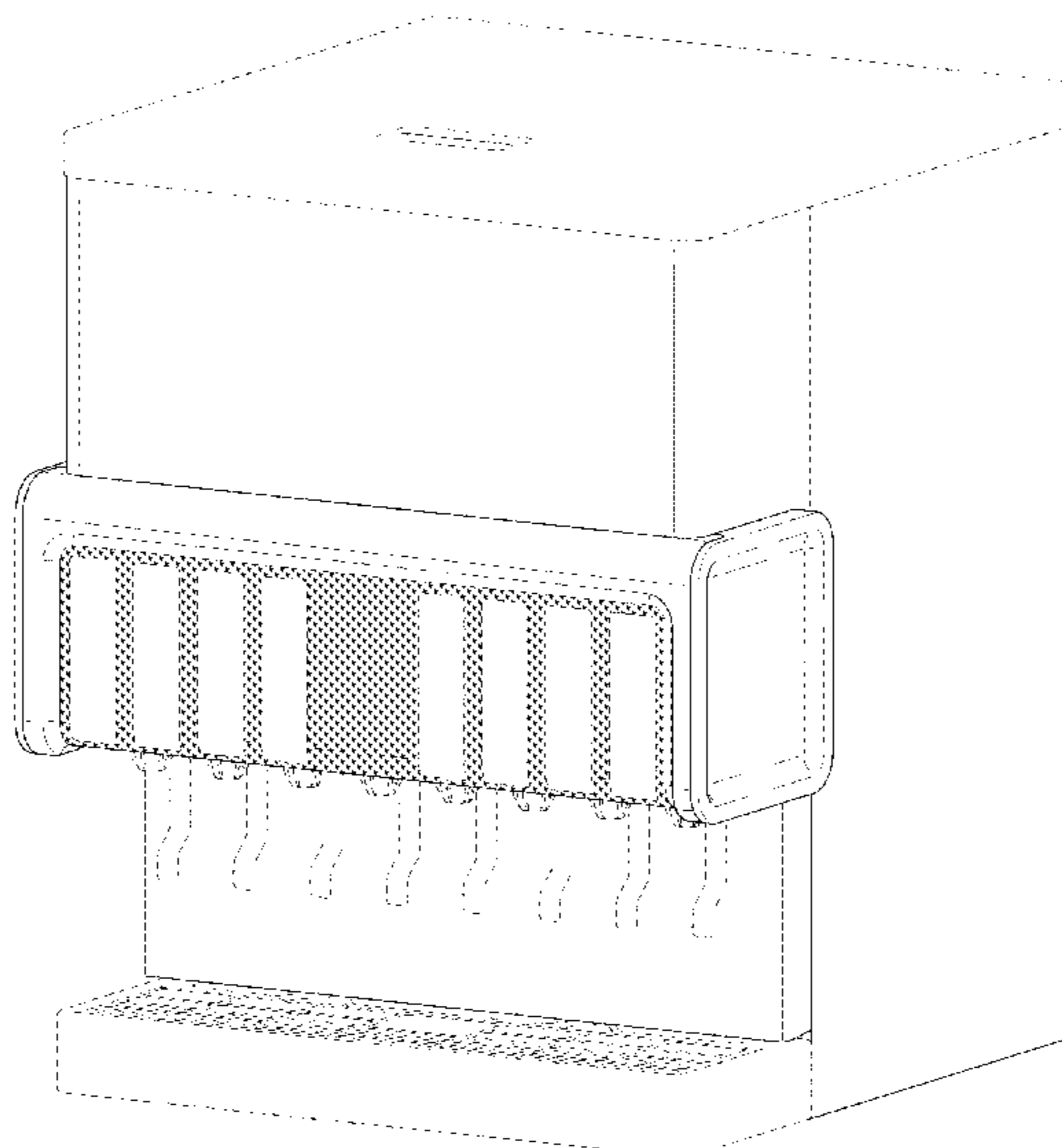
- (63) Continuation of application No. 29/653,586, filed on Jun. 15, 2018, now Pat. No. Des. 878,131.
- (51) **LOC (13) Cl.** **07-01**
- (52) **U.S. Cl.**
USPC **D7/307**; D7/308; D7/311; D7/397
- (58) **Field of Classification Search**
USPC D7/300, 306–311, 355, 362, 365, 367, D7/397, 399; D20/4; D21/370, 371
CPC A47J 31/00; A47J 31/46; A47J 31/407; A47J 31/50; A47J 31/0573; B67D 1/0041; B67D 1/0085; B67D 2001/0089; G07F 13/06; G07F 13/065
See application file for complete search history.

(56) **References Cited**

U.S. PATENT DOCUMENTS

- 4,570,934 A 2/1986 Smyth
- D335,062 S 4/1993 Kolada et al.
- D389,693 S 1/1998 Hawkins, Jr. et al.
- D390,058 S 2/1998 Landers
- D406,615 S 3/1999 Griswold et al.
- D465,119 S 11/2002 Strandell et al.

1 Claim, 14 Drawing Sheets



(56)

References Cited

U.S. PATENT DOCUMENTS

8,899,072	B2	12/2014	Veettil et al.	
9,243,830	B2	1/2016	Chadwell et al.	
D774,821	S	12/2016	Broen et al.	
D774,822	S	12/2016	Broen et al.	
D776,970	S *	1/2017	Broen	D7/307
D789,142	S	6/2017	Broen et al.	
D799,880	S	10/2017	Broen et al.	
D801,437	S	10/2017	Hohman	
D838,540	S *	1/2019	Gnadinger	D7/397
D847,553	S *	5/2019	Olaya	D7/307
D848,195	S	5/2019	Broen et al.	
D858,168	S *	9/2019	Broen	D7/307
D871,818	S *	1/2020	Squires	D7/307
D878,131	S *	3/2020	Broen	D7/307
D886,522	S *	6/2020	Lim	D7/397
D893,235	S *	8/2020	Broen	D7/307
2014/0305316	A1 *	10/2014	Sevcik	B67D 1/0877 99/323.2
2018/0215603	A1 *	8/2018	Hecht	B67D 1/1297

* cited by examiner

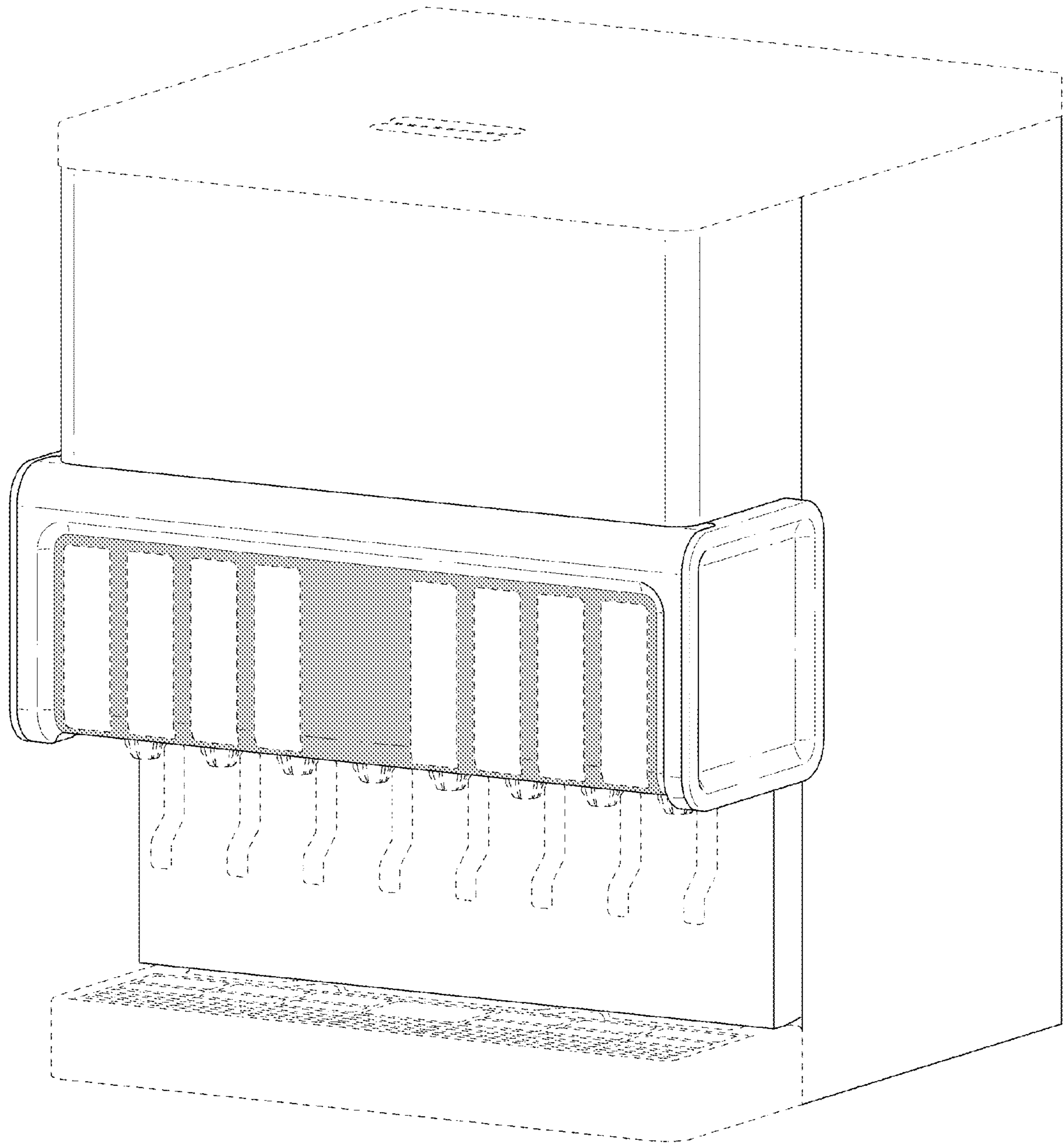


FIG. 1

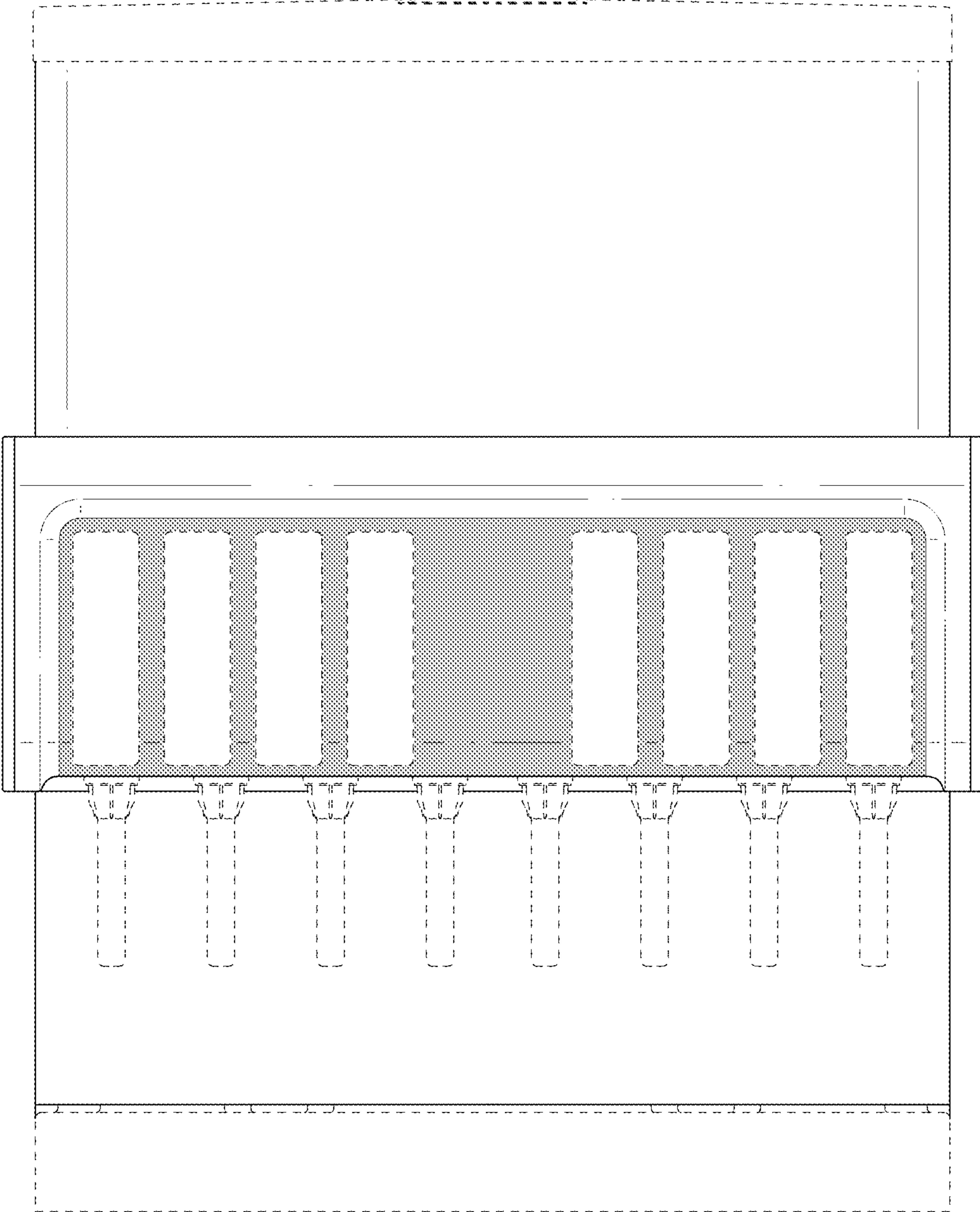


FIG. 2

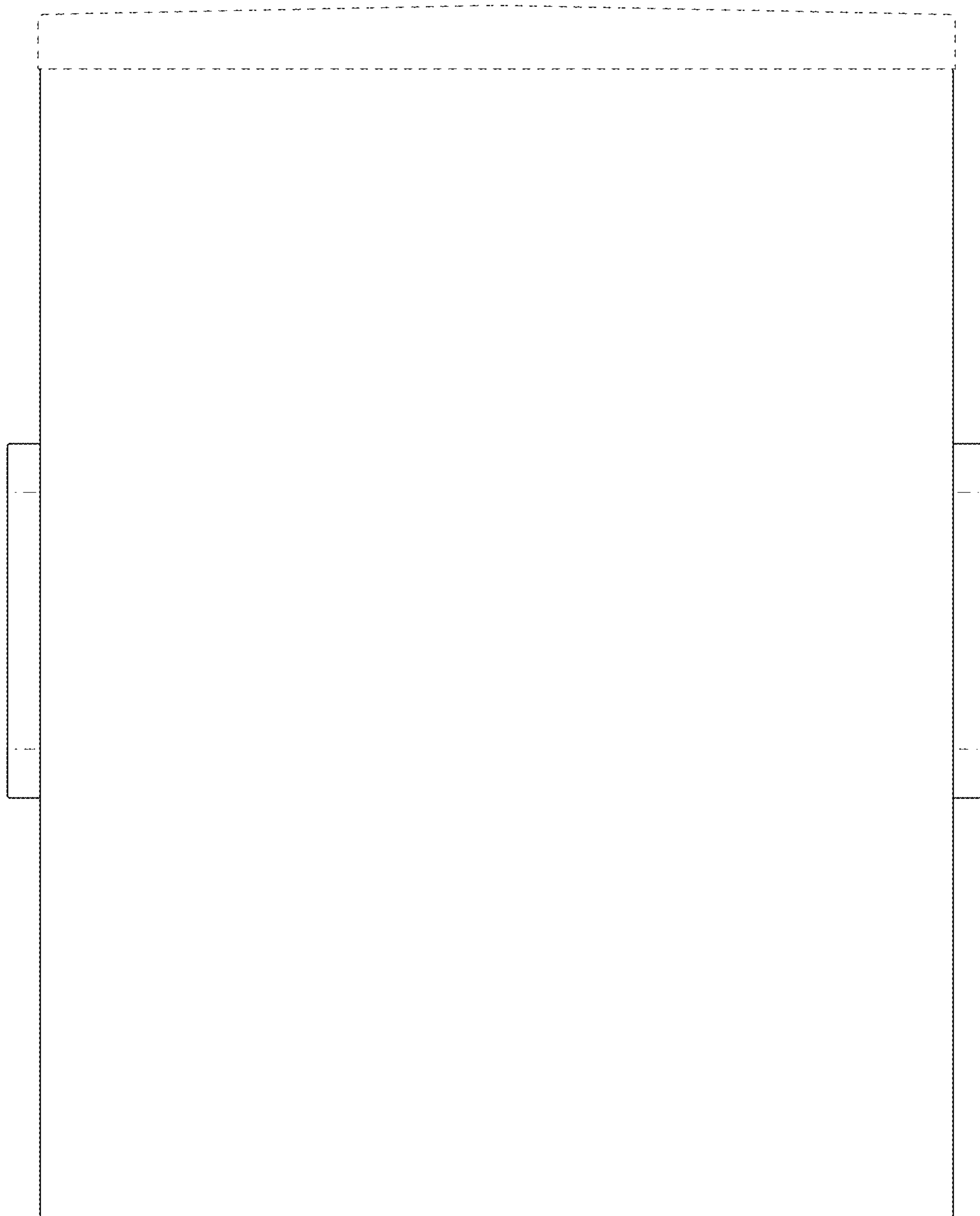


FIG. 3

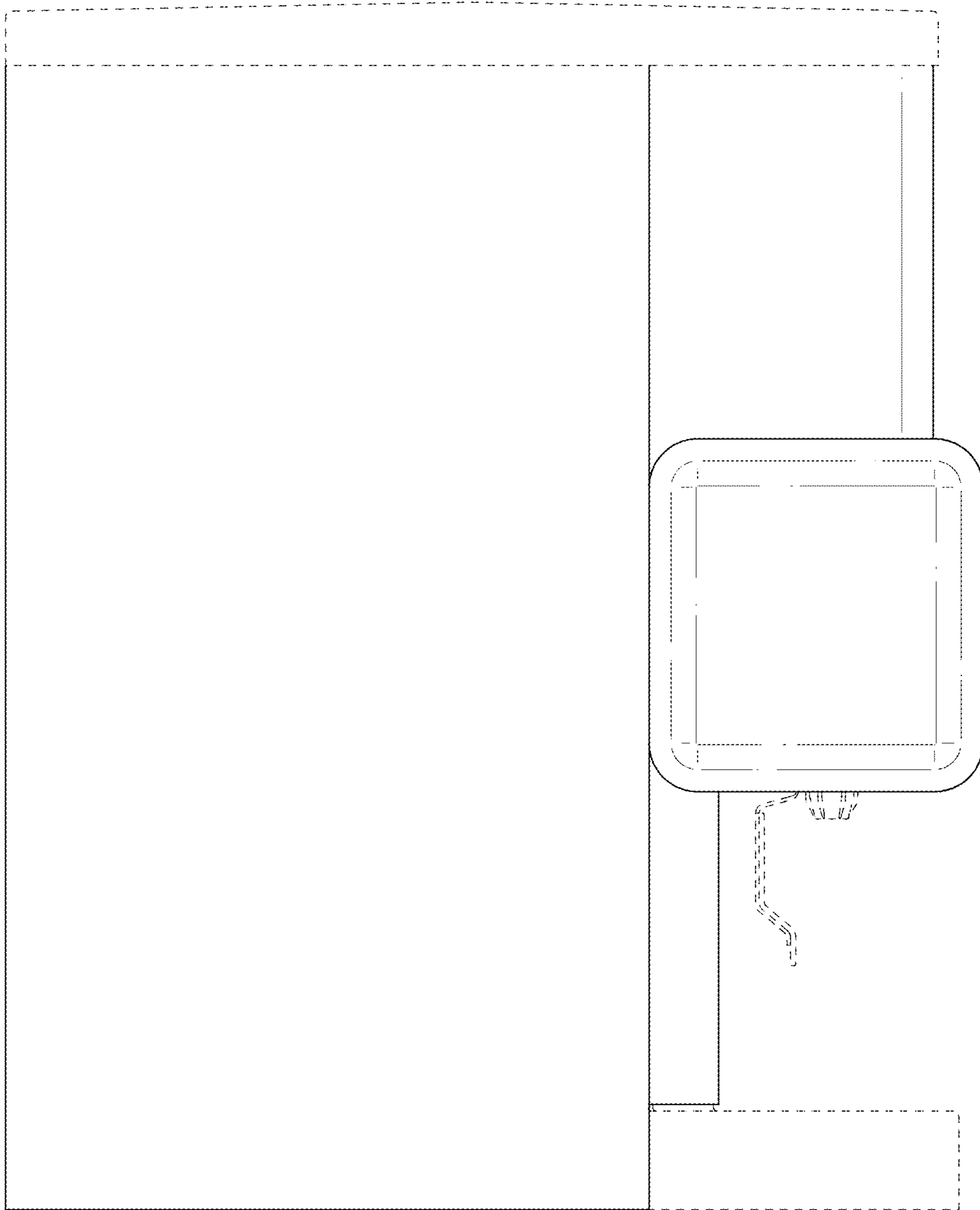


FIG. 4

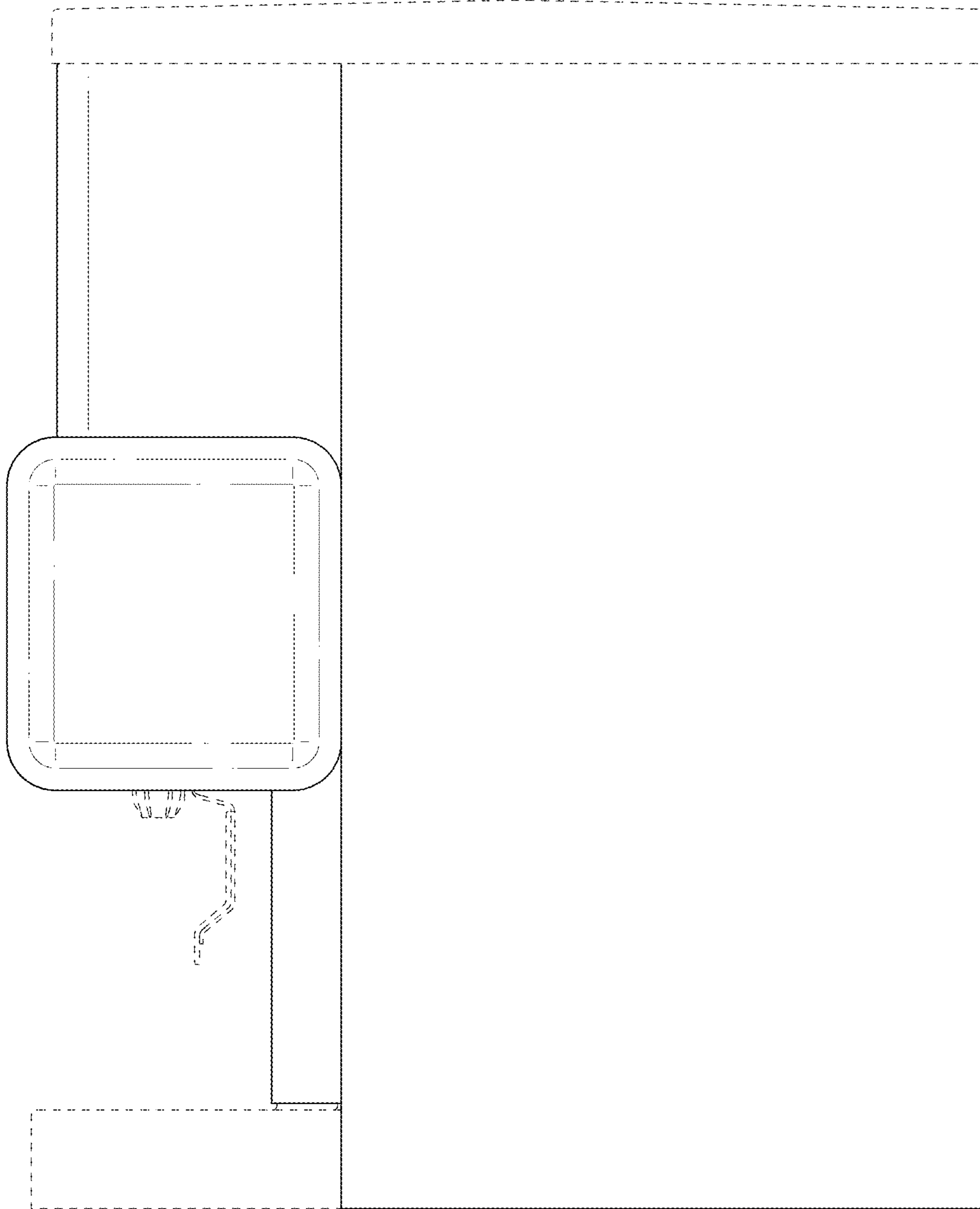


FIG. 5

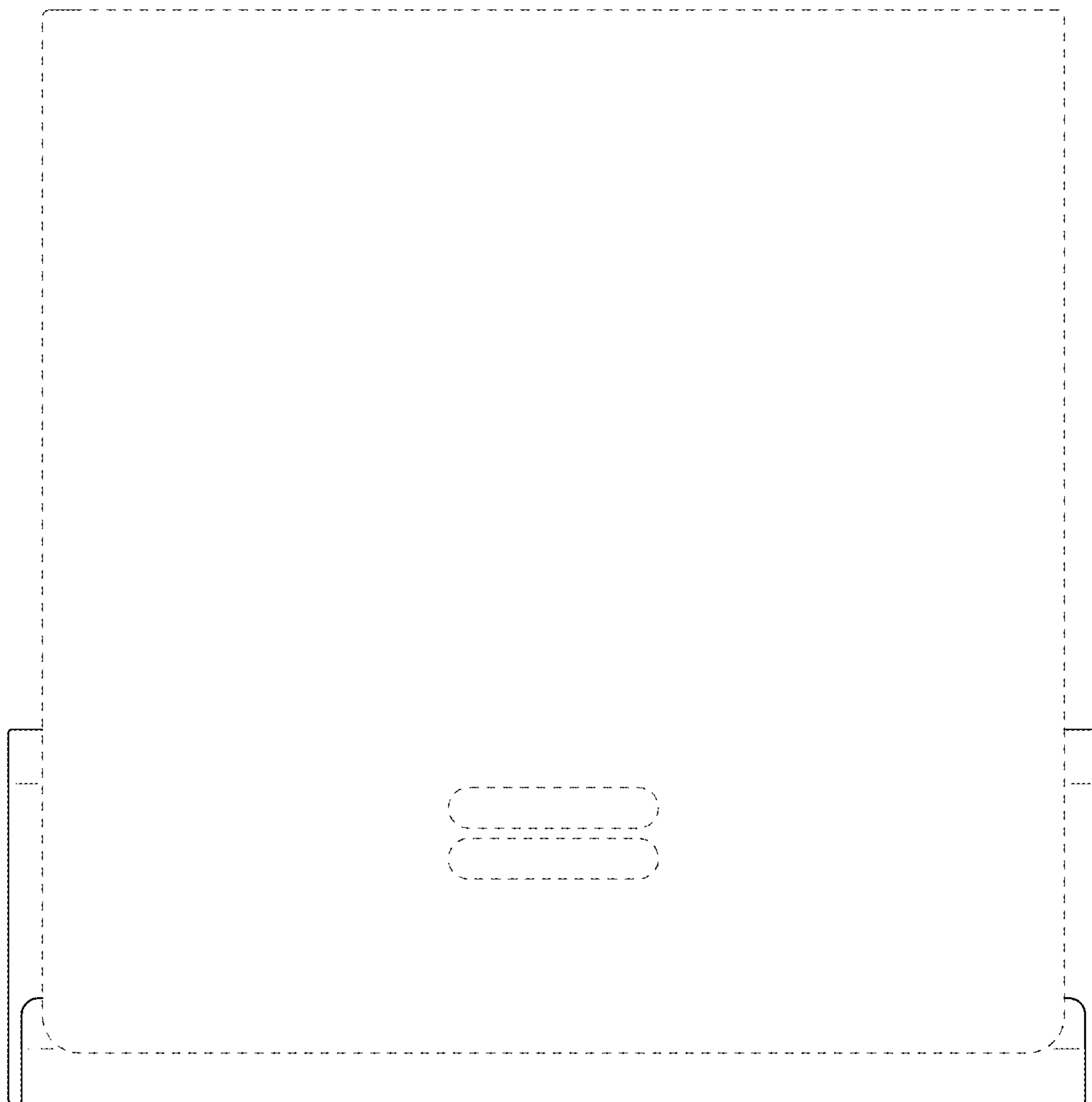


FIG. 6

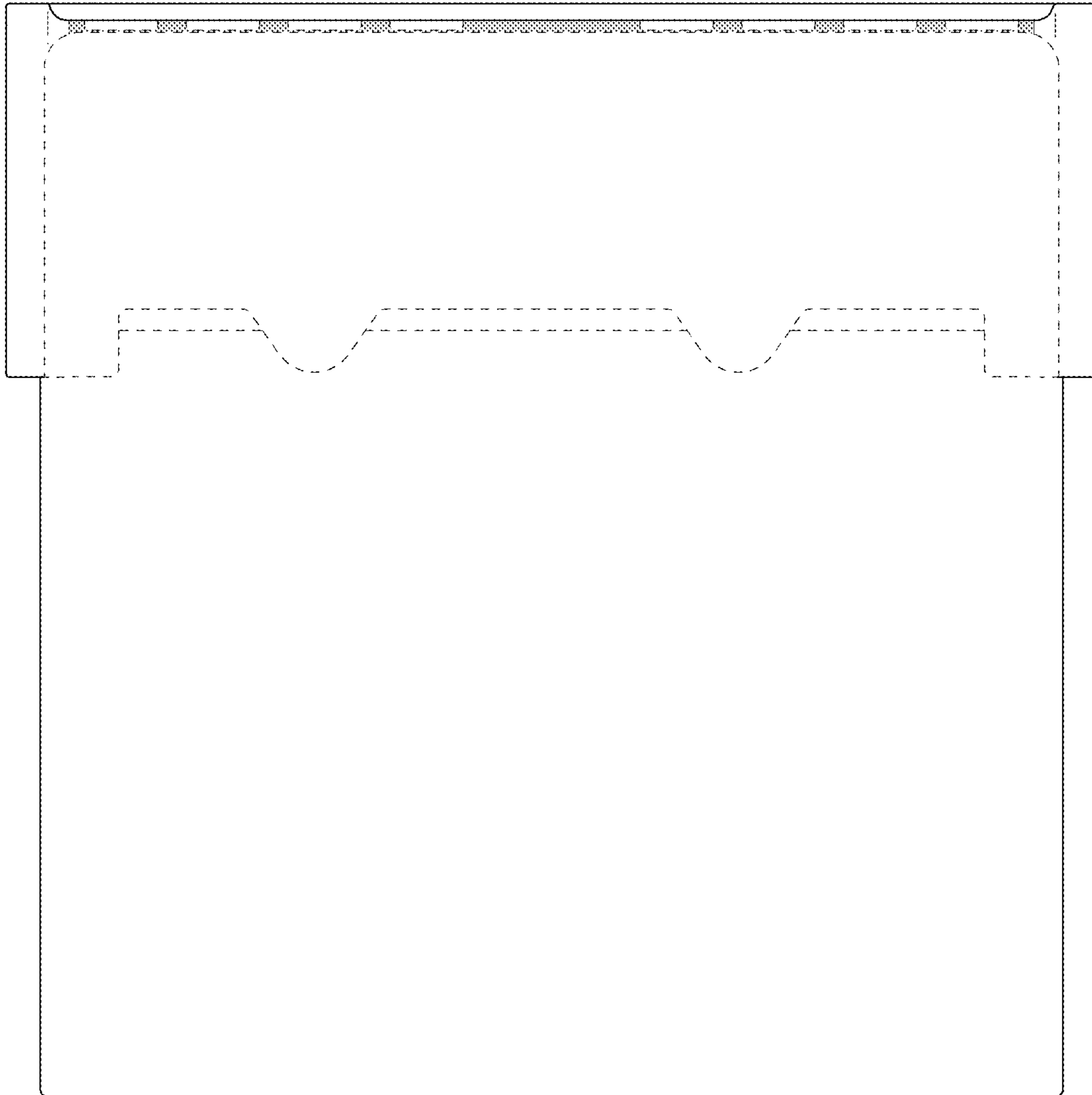


FIG. 7

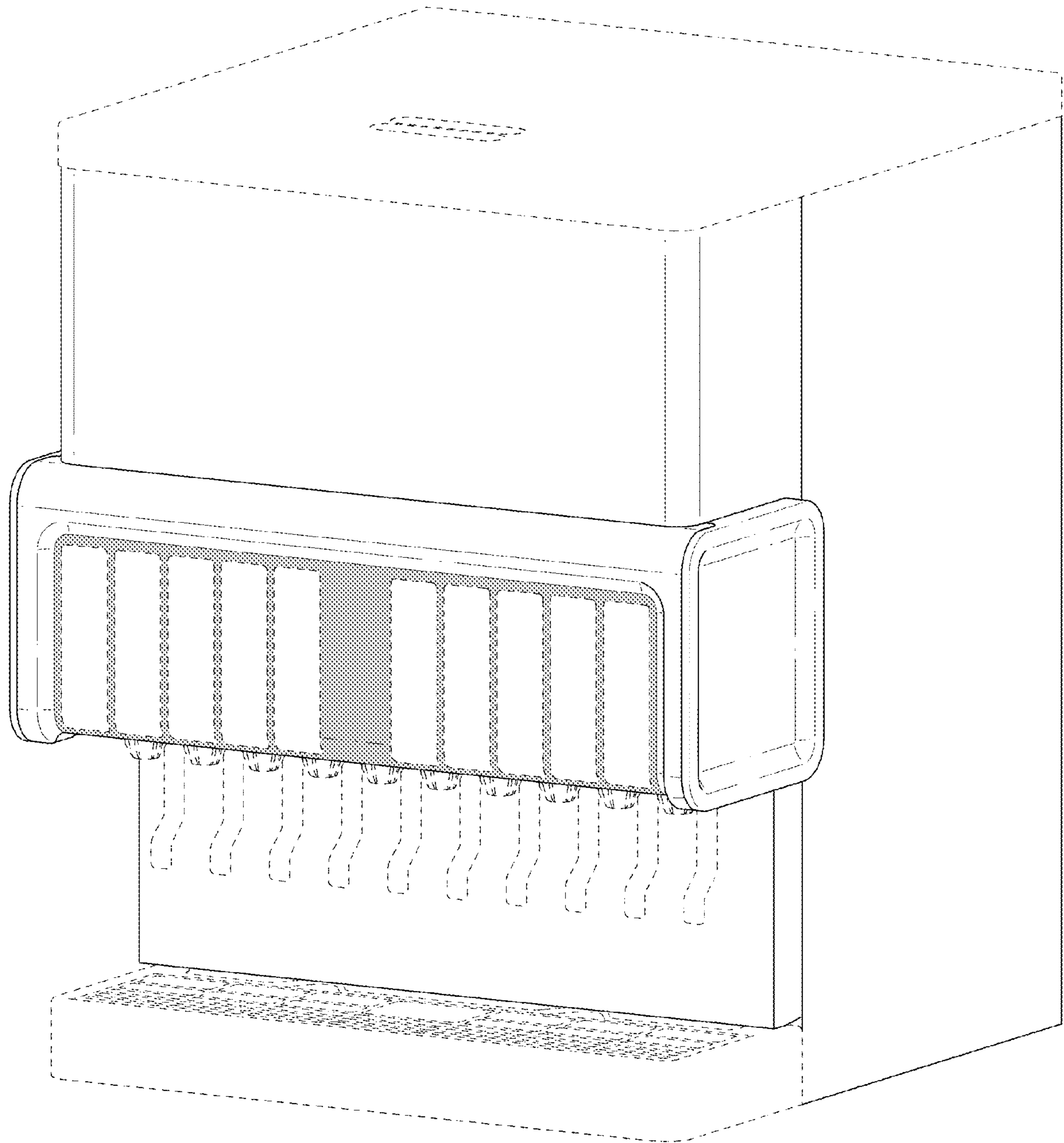


FIG. 8

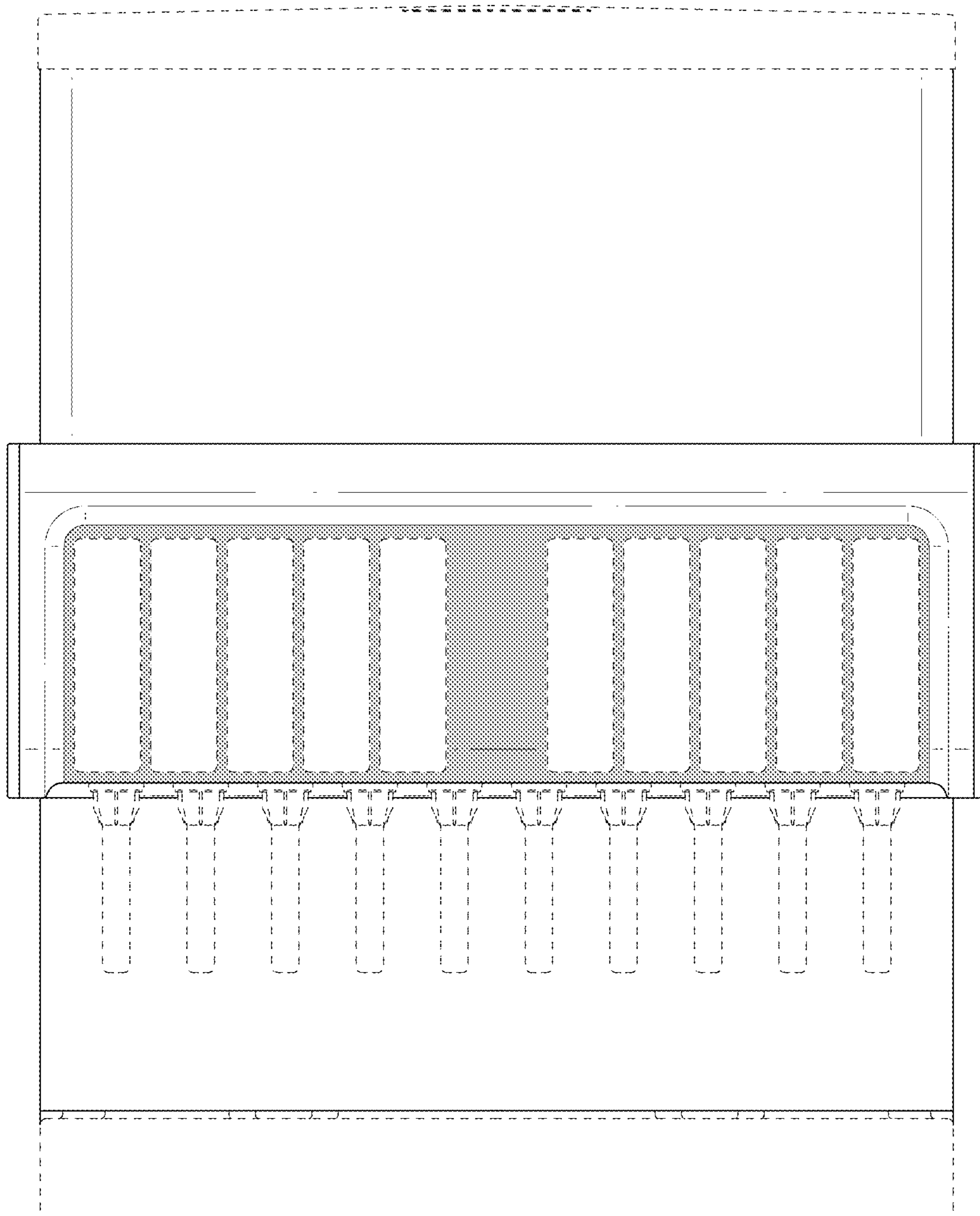


FIG. 9

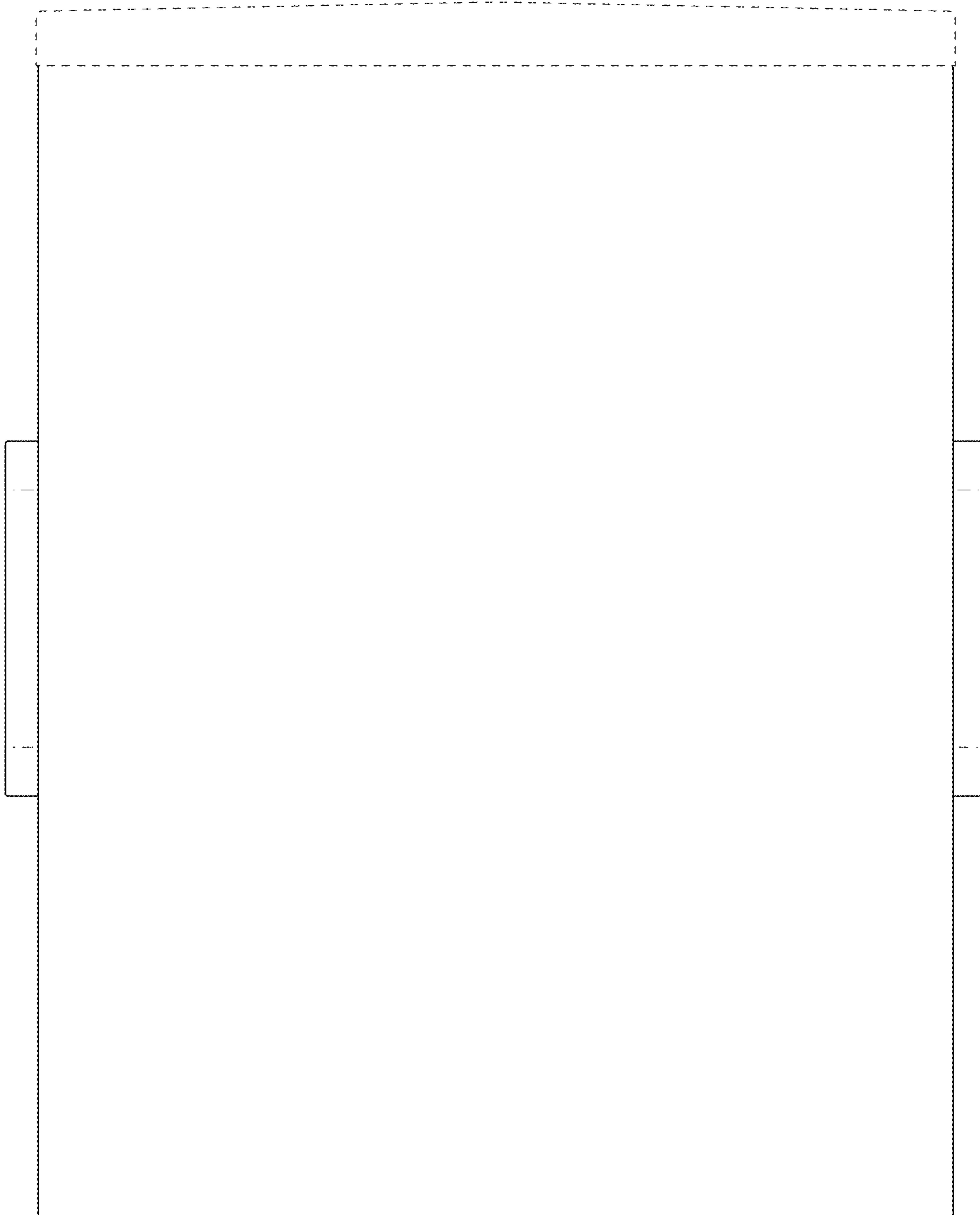


FIG. 10

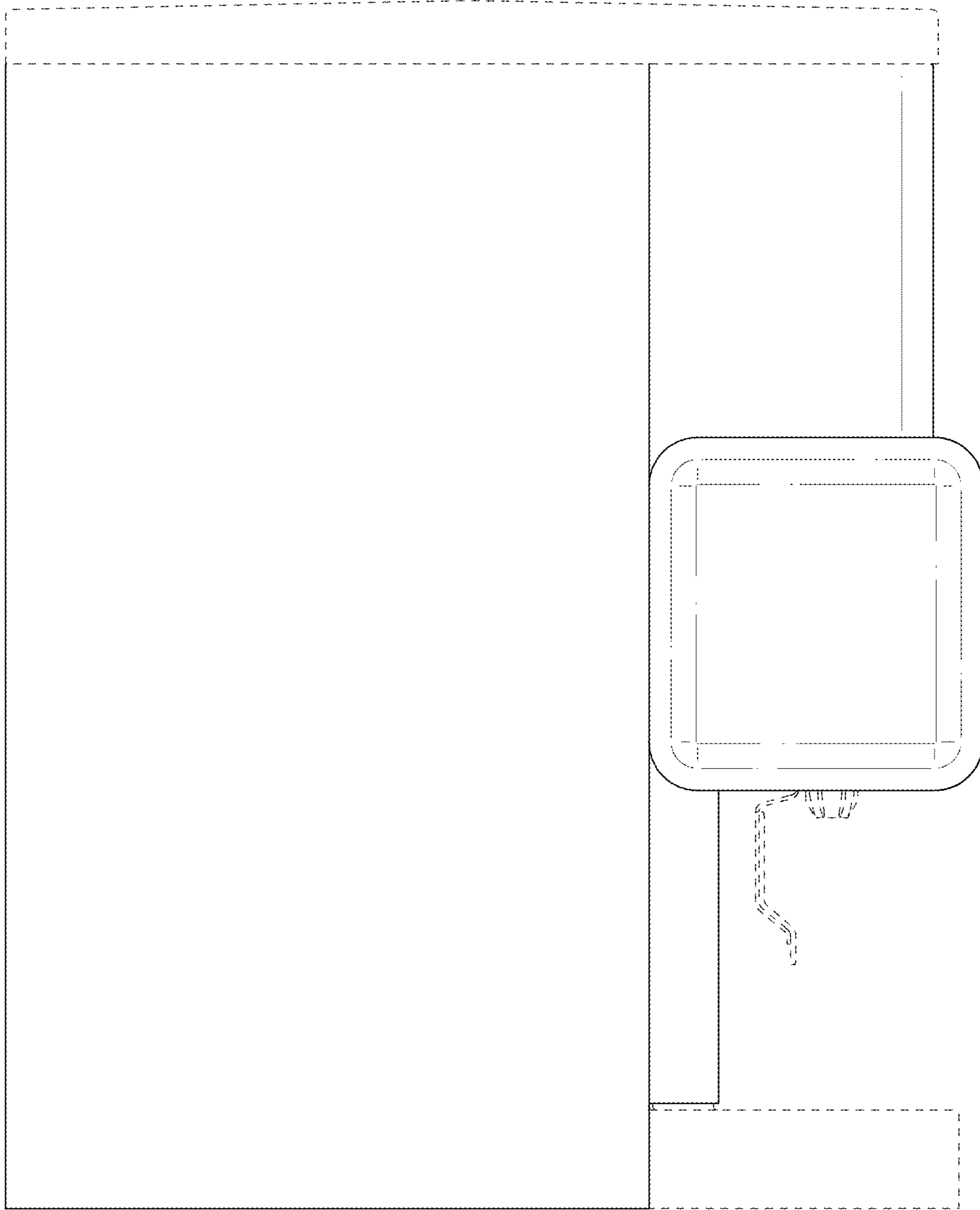


FIG. 11

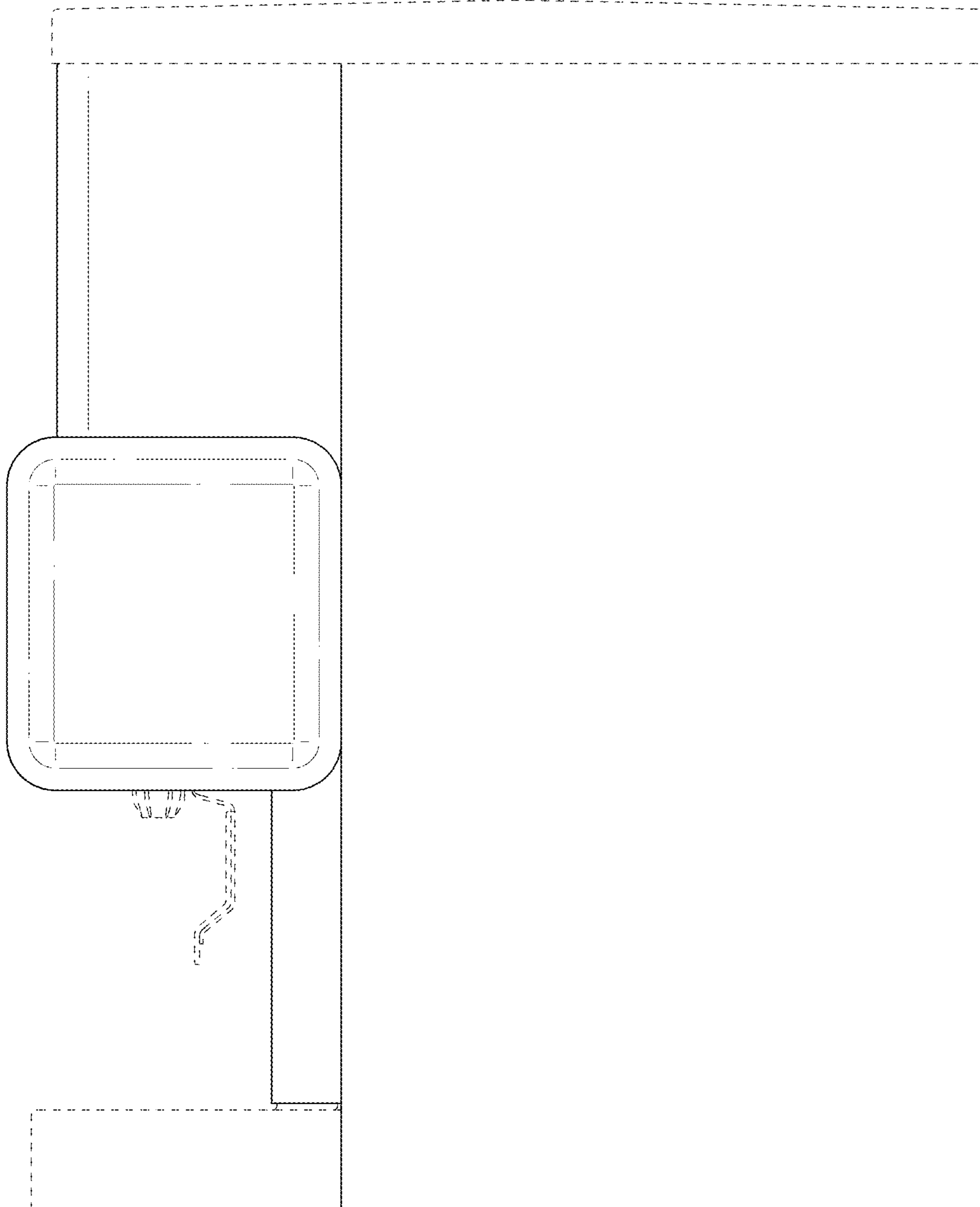


FIG. 12

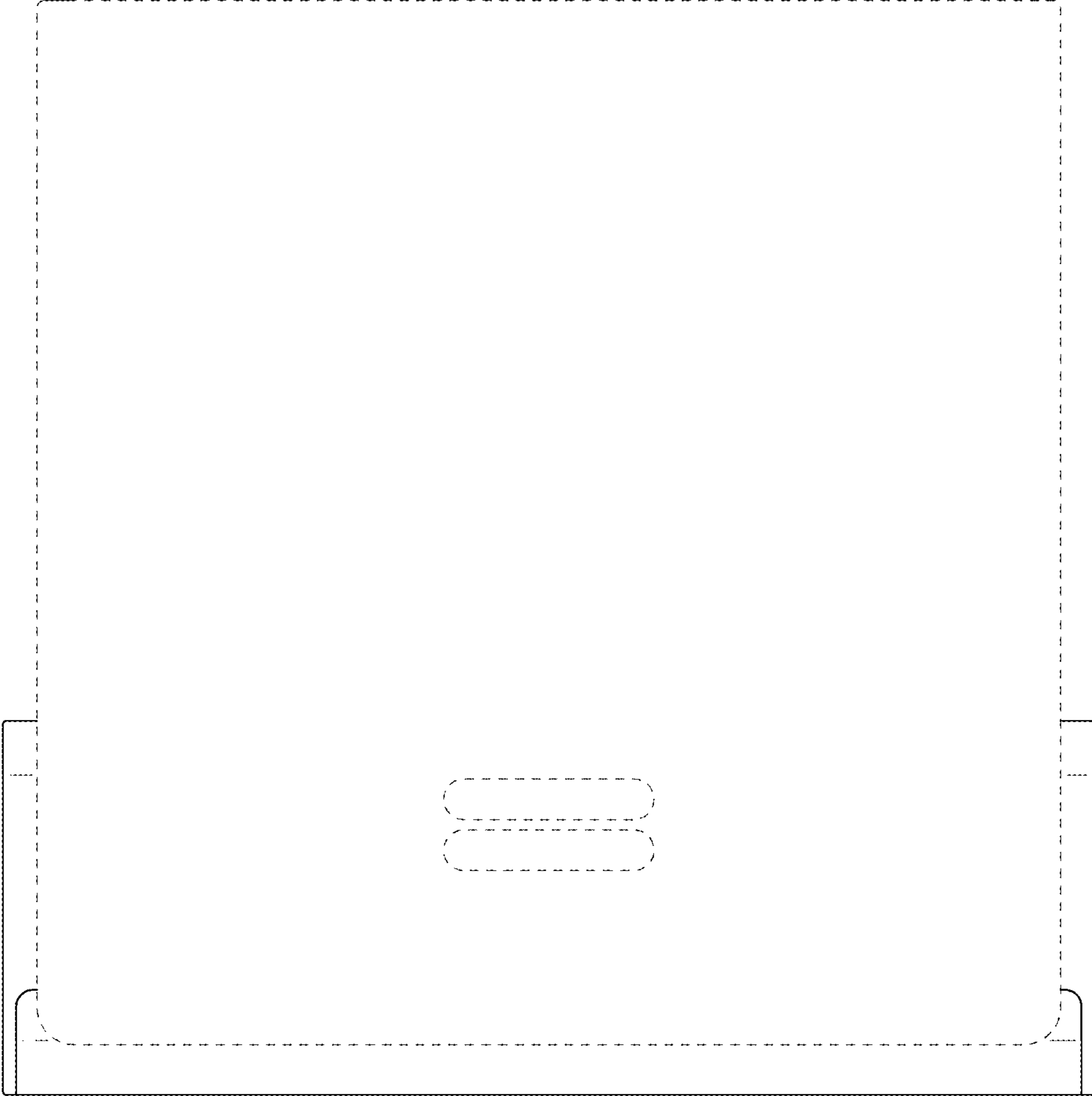


FIG. 13

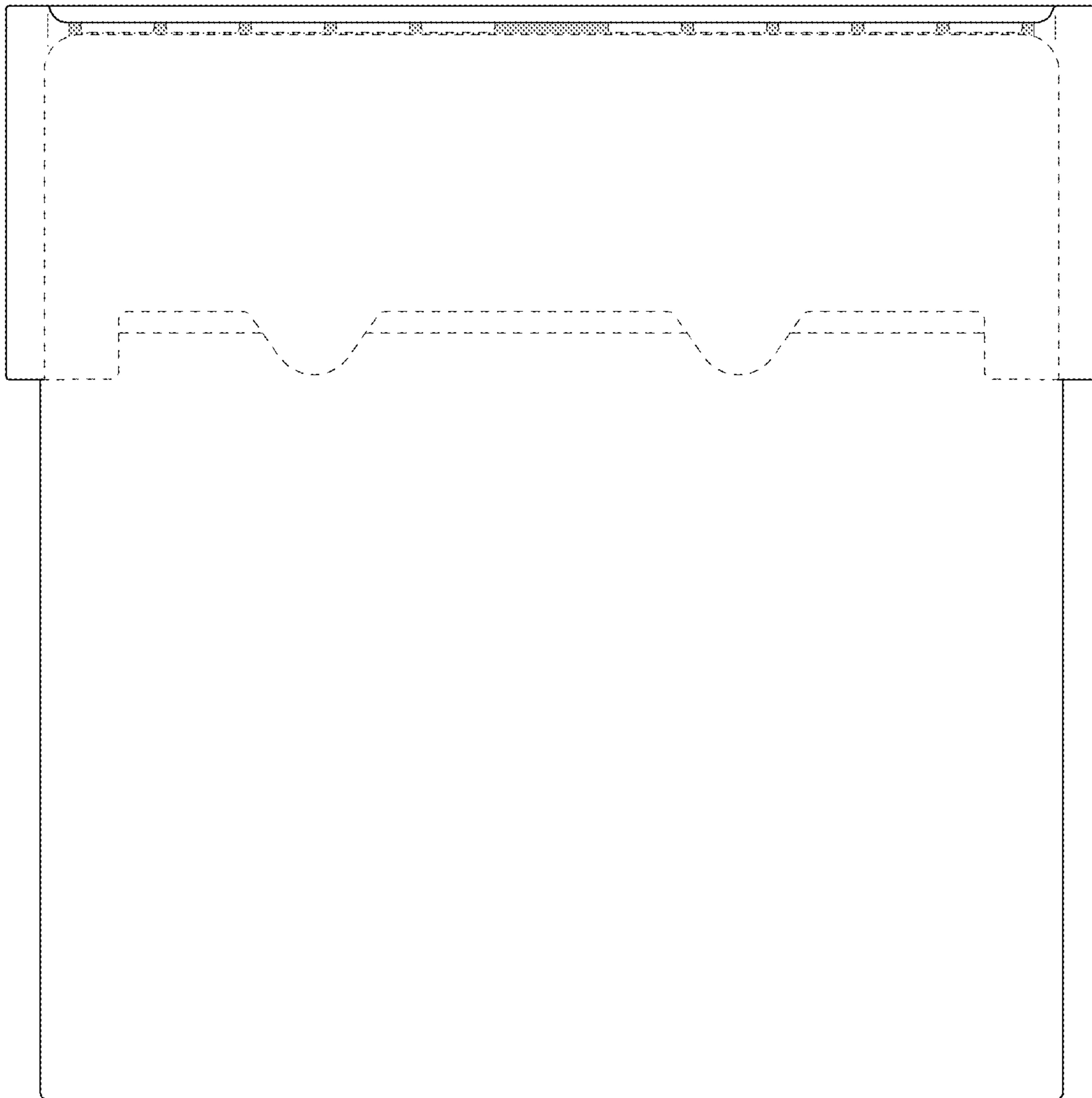


FIG. 14