



US00D948907S

(12) **United States Design Patent**
Carberry et al.

(10) **Patent No.:** **US D948,907 S**

(45) **Date of Patent:** **** Apr. 19, 2022**

(54) **WATER BOTTLE REFILL STATION**

(71) Applicant: **11297775 Canada Inc.**, Montreal (CA)

(72) Inventors: **Brendan J. Carberry**, Toronto (CA);
Rachel Labbé-Bellas, Montreal (CA);
David Barabe, Montreal (CA); **Alain Sicotte**, Montreal (CA); **Thibault Ruelle**, Montreal (CA)

(73) Assignee: **11297775 Canada Inc.**, Montreal (CA)

(**) Term: **15 Years**

(21) Appl. No.: **29/727,868**

(22) Filed: **Mar. 13, 2020**

(51) **LOC (13) Cl.** **07-01**

(52) **U.S. Cl.**
USPC **D7/306**

(58) **Field of Classification Search**
USPC D7/300, 305, 306, 307, 308, 311, 312,
D7/313, 397, 398; D23/200, 283
CPC B67D 3/00; B67D 3/0003; D06F 1/00
See application file for complete search history.

(56) **References Cited**

U.S. PATENT DOCUMENTS

3,681,788	A *	8/1972	Le Blanc	A47K 3/325 4/602
D326,172	S *	5/1992	Biesele	D3/10
6,578,802	B1 *	6/2003	Thier	B67D 3/0009 248/146
6,776,378	B1 *	8/2004	Yu	A47B 73/00 211/74
D568,550	S *	5/2008	Totty	D30/158

D647,165	S *	10/2011	Brown	D23/200
D697,988	S *	1/2014	Januszek	D21/686
D720,568	S *	1/2015	Klein	D7/308
D752,724	S *	3/2016	Coats	D23/283
D761,548	S *	7/2016	Elliott	D3/7
D767,692	S *	9/2016	Kuka	D21/686
D767,693	S *	9/2016	Kuka	D21/686
D850,841	S *	6/2019	Rupp	D7/308
D854,232	S *	7/2019	Hargreaves	D26/138
D865,922	S *	11/2019	Dufermont	D23/283
D866,995	S *	11/2019	Perrin	D6/331
D883,406	S *	5/2020	Sergakis	D21/686
D889,181	S *	7/2020	Watts	D7/313
2005/0061929	A1 *	3/2005	Wood	B65F 1/10 248/99

* cited by examiner

Primary Examiner — Andrew Kerr

(74) *Attorney, Agent, or Firm* — Fasken Martineau
DuMoulin

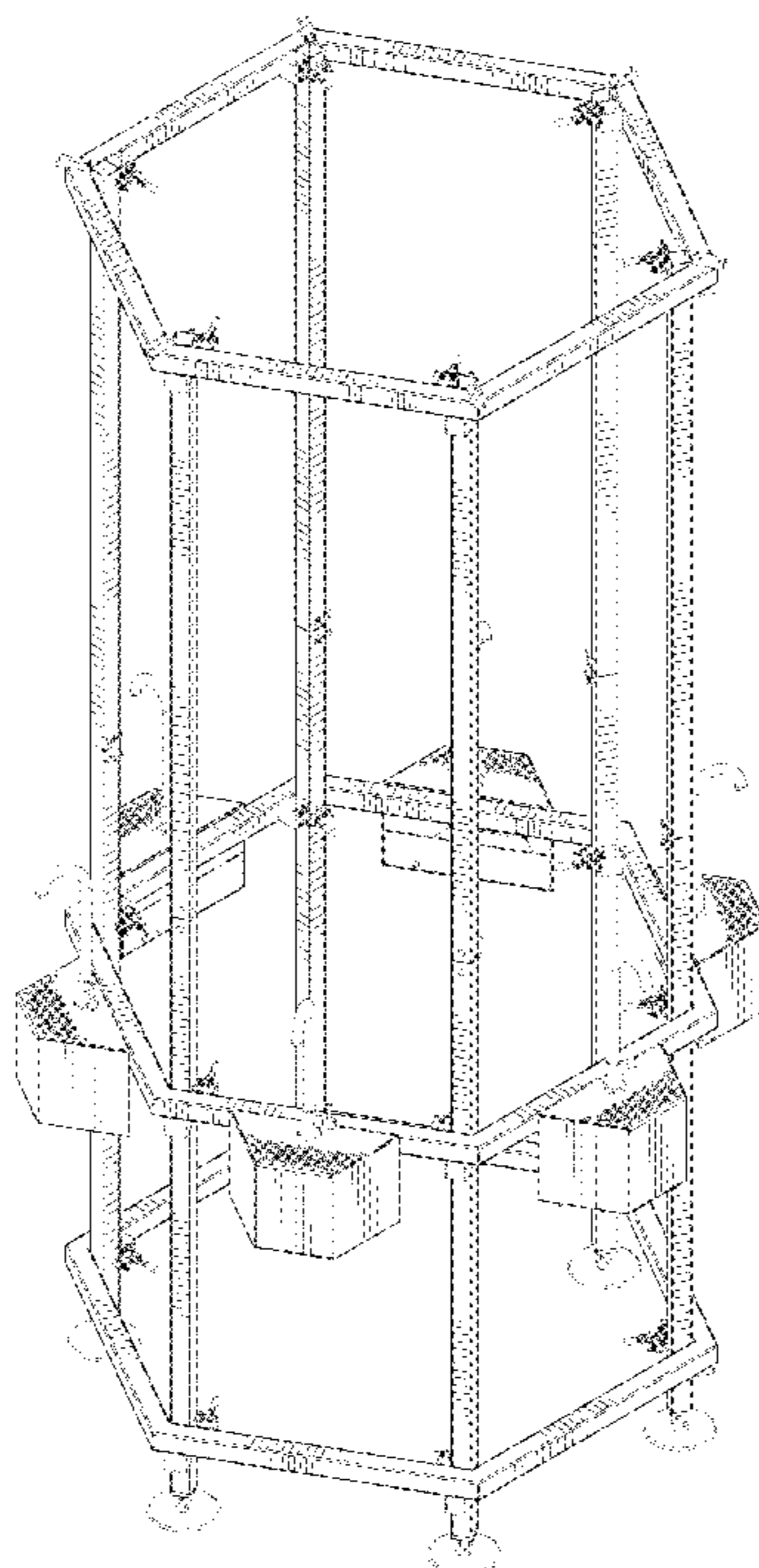
(57) **CLAIM**

The ornamental design for a water bottle refill station, as shown and described.

DESCRIPTION

FIG. 1 is a front perspective view of a water bottle refill station;
FIG. 2 is a front elevation view thereof;
FIG. 3 is a rear elevation view thereof;
FIG. 4 is a left side elevation view thereof;
FIG. 5 is a right side elevation view thereof;
FIG. 6 is a top plan view thereof; and,
FIG. 7 is a bottom plan view thereof.
The broken lines in the drawings depict portions of the water bottle refill station that form no part of the claimed design.

1 Claim, 7 Drawing Sheets



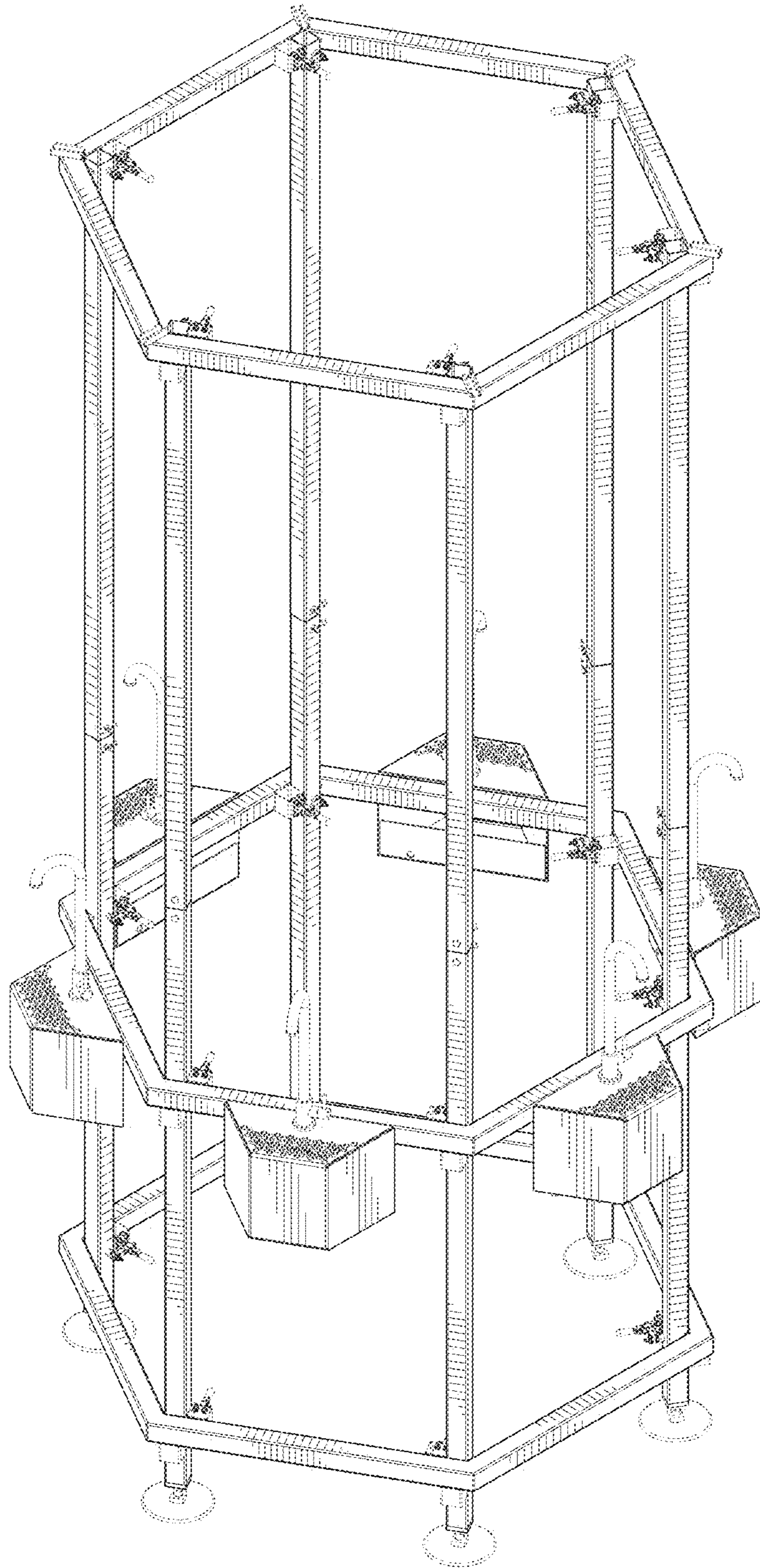


FIG.1

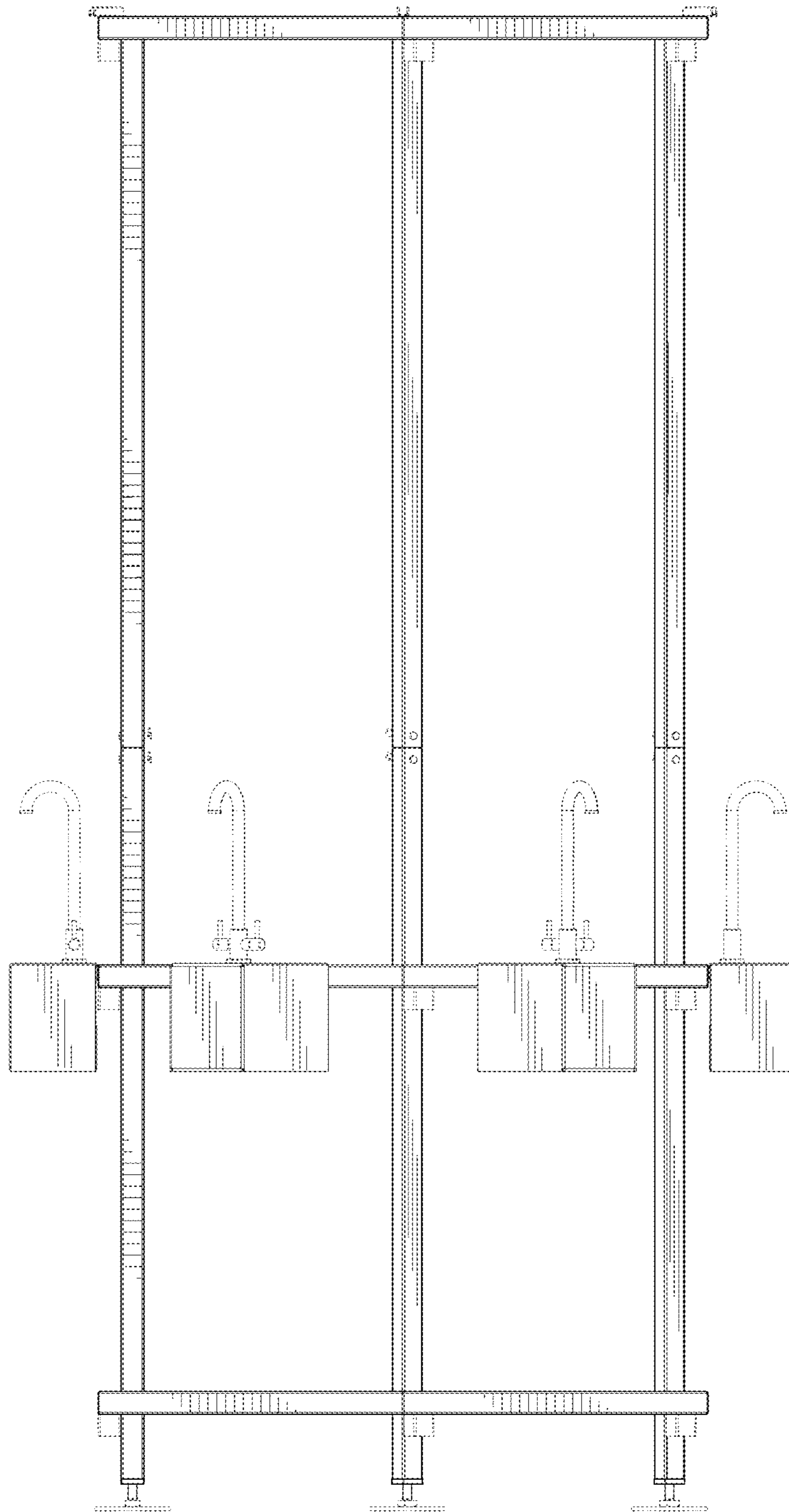


FIG.2

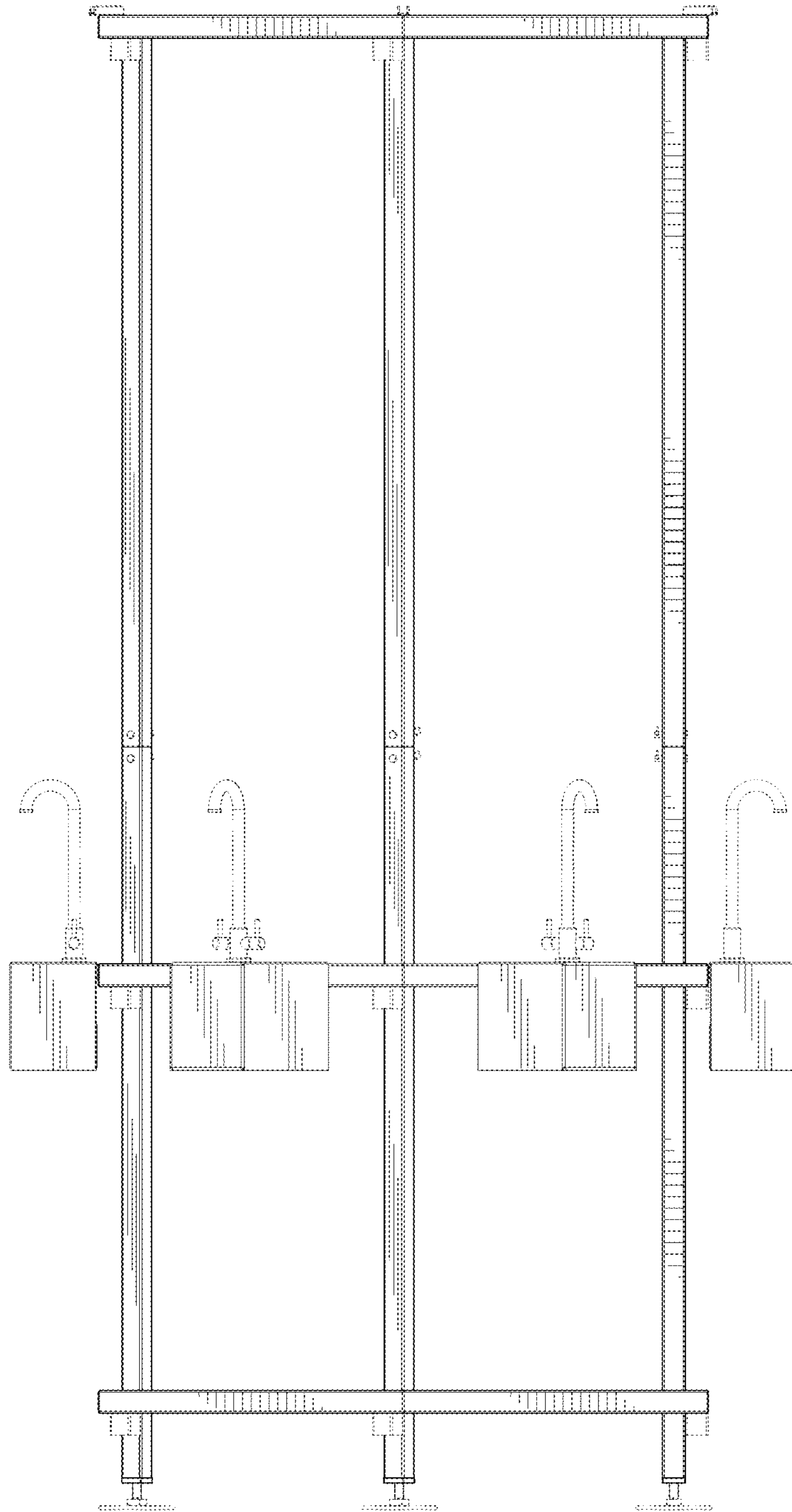


FIG.3

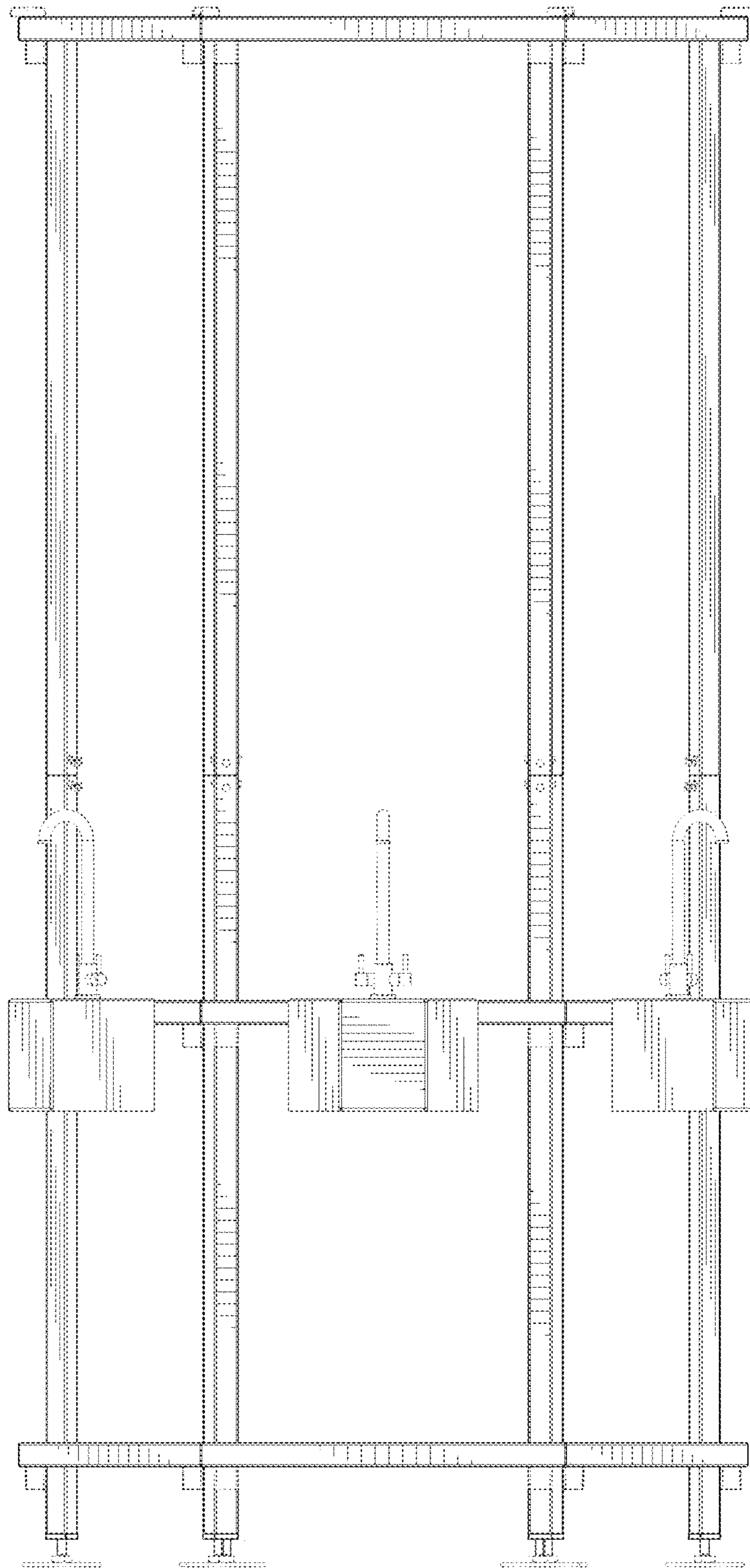


FIG.4

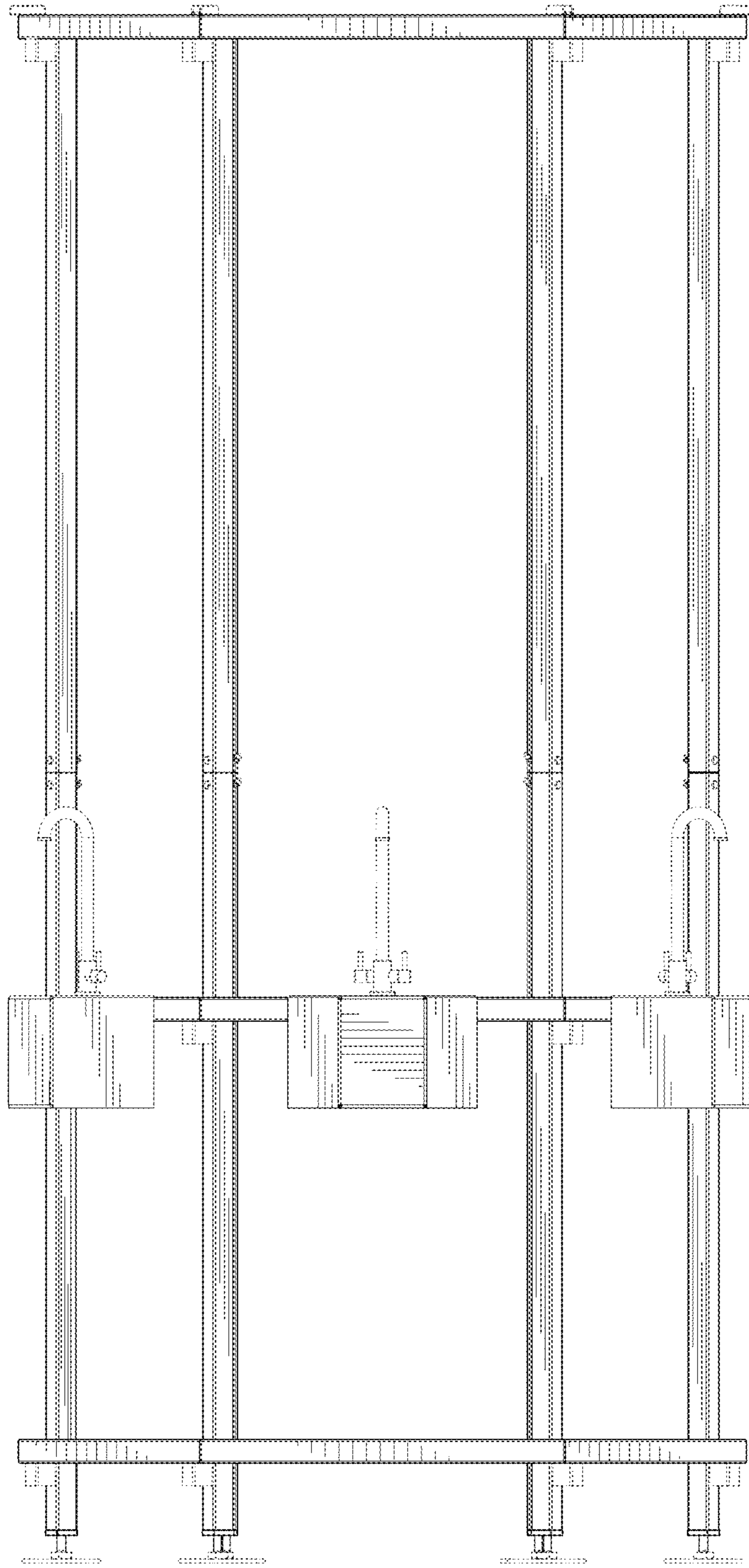


FIG.5

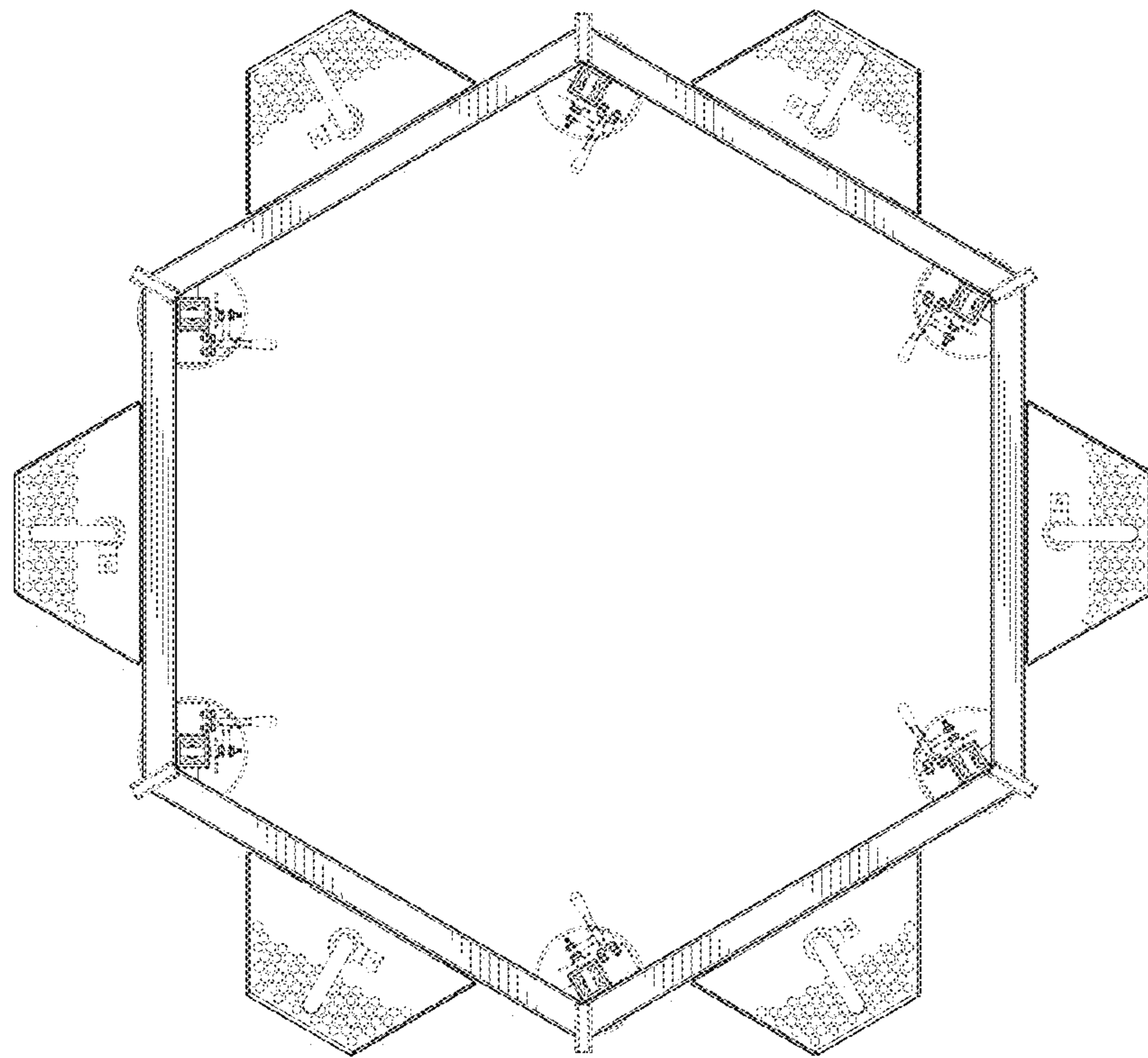


FIG.6

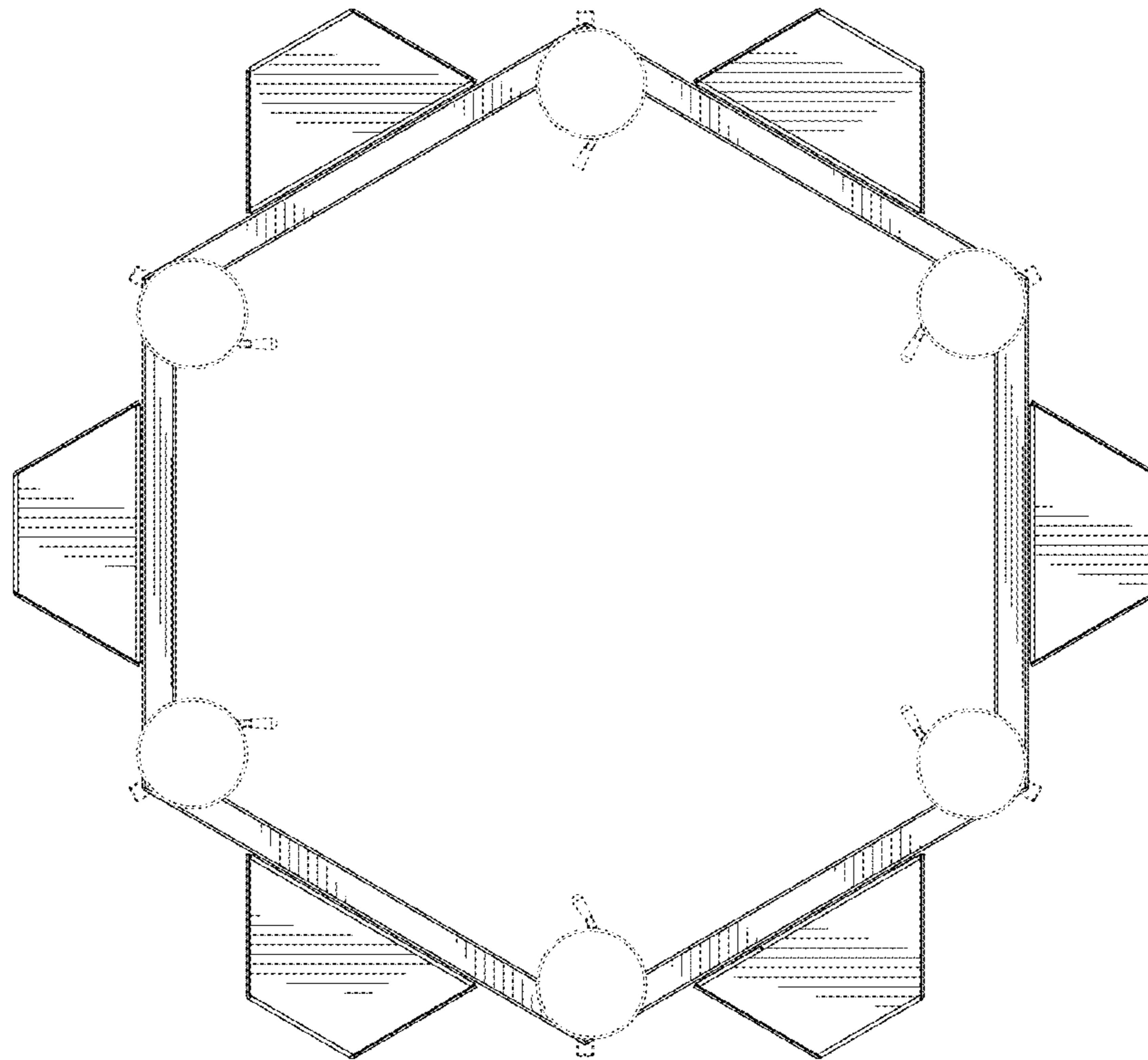


FIG.7