



US00D948906S

(12) **United States Design Patent**  
**Yang et al.**

(10) **Patent No.:** **US D948,906 S**  
(45) **Date of Patent:** **\*\* Apr. 19, 2022**

(54) **ELECTRIC KETTLE**  
(71) Applicant: **ETEK CITY CORPORATION**,  
Anaheim, CA (US)  
(72) Inventors: **Lin Yang**, Shenzhen (CN); **Hai Yang**,  
Shenzhen (CN)  
(\*\*) Term: **15 Years**  
(21) Appl. No.: **29/727,397**  
(22) Filed: **Mar. 10, 2020**

D847,557 S *	5/2019	Kraemer	.....	D7/373
D864,648 S *	10/2019	Josancy	.....	D7/319
D874,869 S *	2/2020	McConnell	.....	D7/386
D884,409 S *	5/2020	Bodum	.....	D7/321
D889,191 S *	7/2020	Finnance	.....	D7/378
D905,494 S *	12/2020	Potaki	.....	D7/378
D905,496 S *	12/2020	Pamplin	.....	D7/378
D919,354 S *	5/2021	You	.....	D7/373
D919,355 S *	5/2021	Seo	.....	D7/378
D919,359 S *	5/2021	Seo	.....	D7/386
D920,032 S *	5/2021	McConnell	.....	D7/378
2002/0117566 A1 *	8/2002	Cheng	.....	A47J 42/08 241/169.1
2009/0121063 A1 *	5/2009	Wu	.....	A47J 42/50 241/169.1

(30) **Foreign Application Priority Data**  
Sep. 10, 2019 (CN) ..... 201930498210.1  
(51) **LOC (13) Cl.** ..... **07-01**  
(52) **U.S. Cl.**  
USPC ..... **D7/306**; D7/368; D7/376  
(58) **Field of Classification Search**  
USPC ..... D7/300, 305, 306, 368, 372, 373, 374,  
D7/376, 377, 378, 412, 413, 414, 665  
CPC ..... A47J 27/21; A47J 27/21008; A47J  
27/21041; A23N 1/00; A23L 2/00; A23L  
2/04  
See application file for complete search history.

\* cited by examiner

*Primary Examiner* — Andrew Kerr  
(74) *Attorney, Agent, or Firm* — Tsz Lung Yeung

(57) **CLAIM**

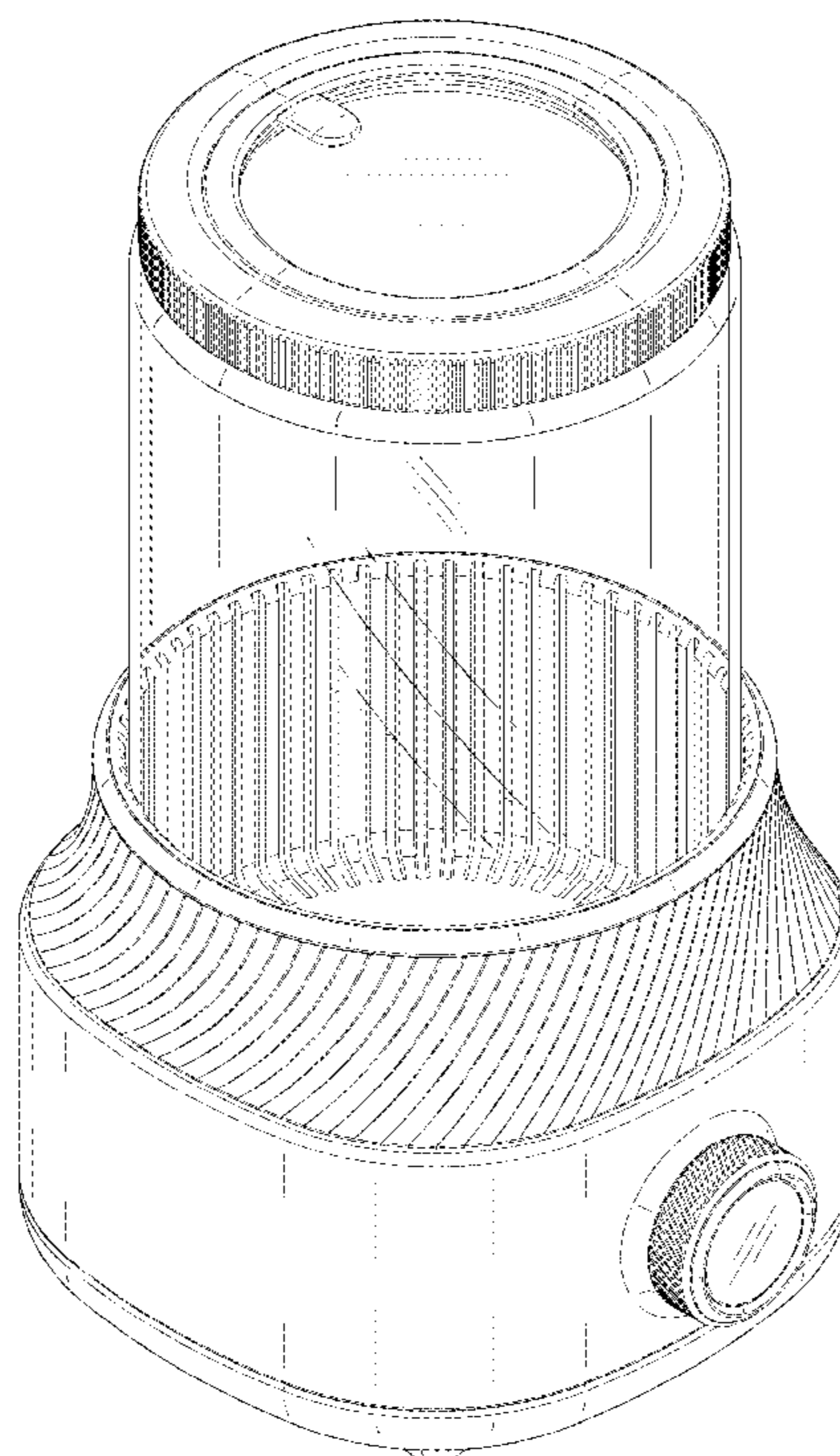
The ornamental design for an electric kettle, as shown and described.

**DESCRIPTION**

FIG. 1 is a perspective view of an electric kettle showing my new design;  
FIG. 2 is a front view thereof;  
FIG. 3 is a rear view thereof;  
FIG. 4 is a right side view thereof;  
FIG. 5 is a left side view thereof;  
FIG. 6 is a top view thereof; and,  
FIG. 7 is a bottom view thereof.  
The broken lines in the drawings depict portions of the electric kettle that form no part of the claimed design.

(56) **References Cited**  
U.S. PATENT DOCUMENTS  
D759,424 S \* 6/2016 Ou ..... D7/378  
D773,882 S \* 12/2016 Halton ..... D7/386  
D781,098 S \* 3/2017 Bond ..... D7/386  
D807,102 S \* 1/2018 Bodum ..... D7/318  
D825,983 S \* 8/2018 Kraemer ..... D7/373

**1 Claim, 7 Drawing Sheets**



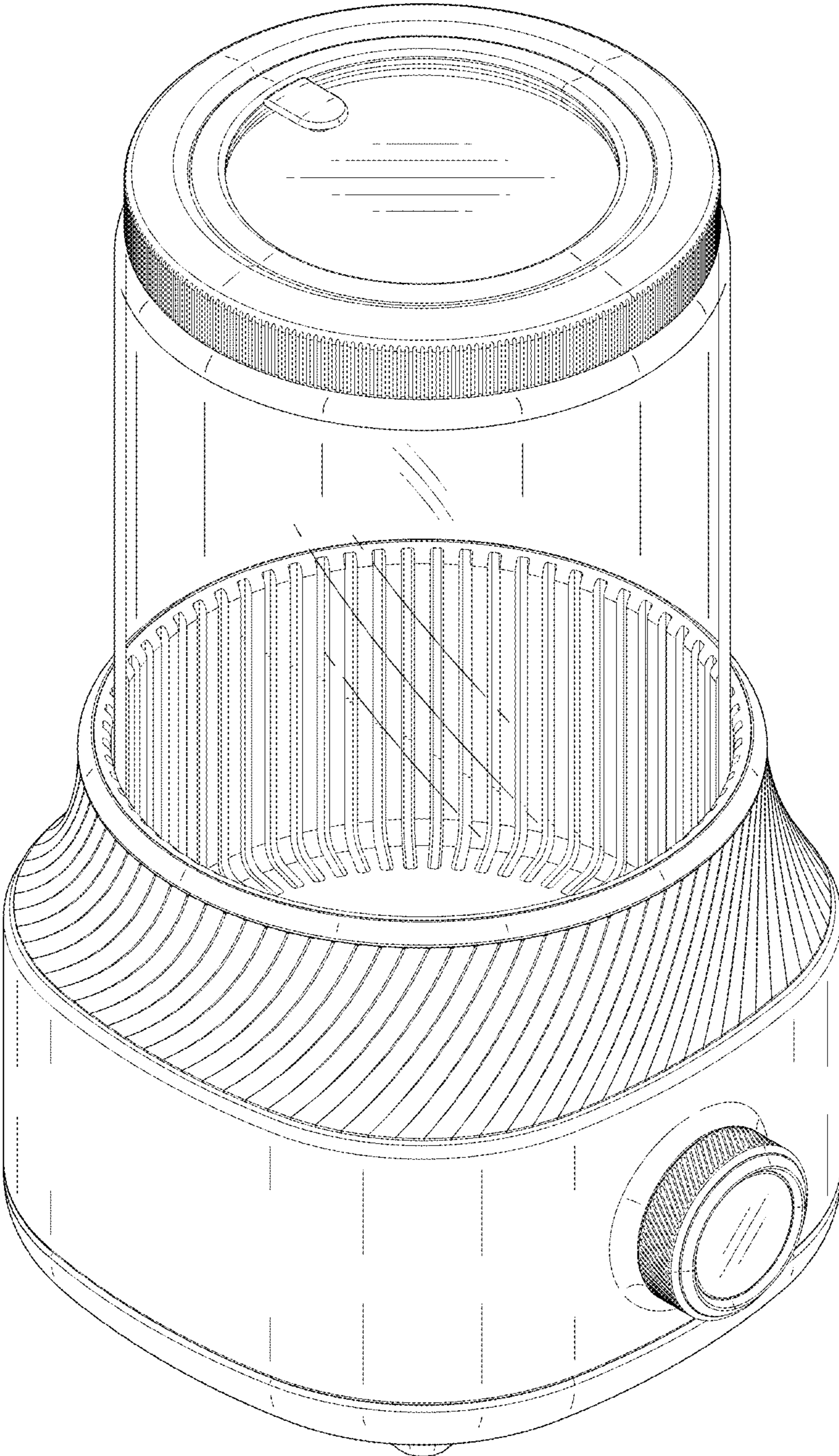


FIG.1



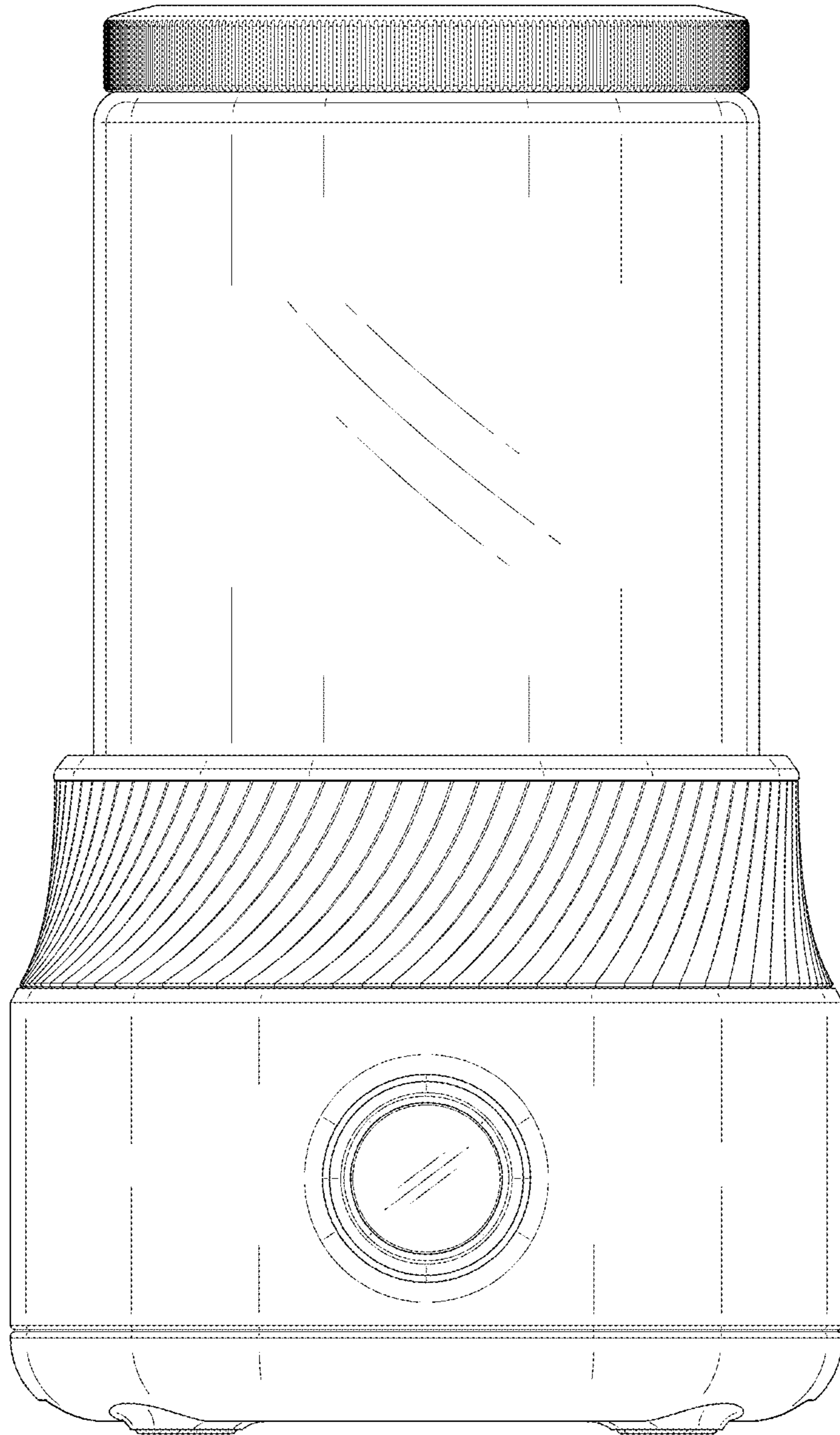


FIG.2

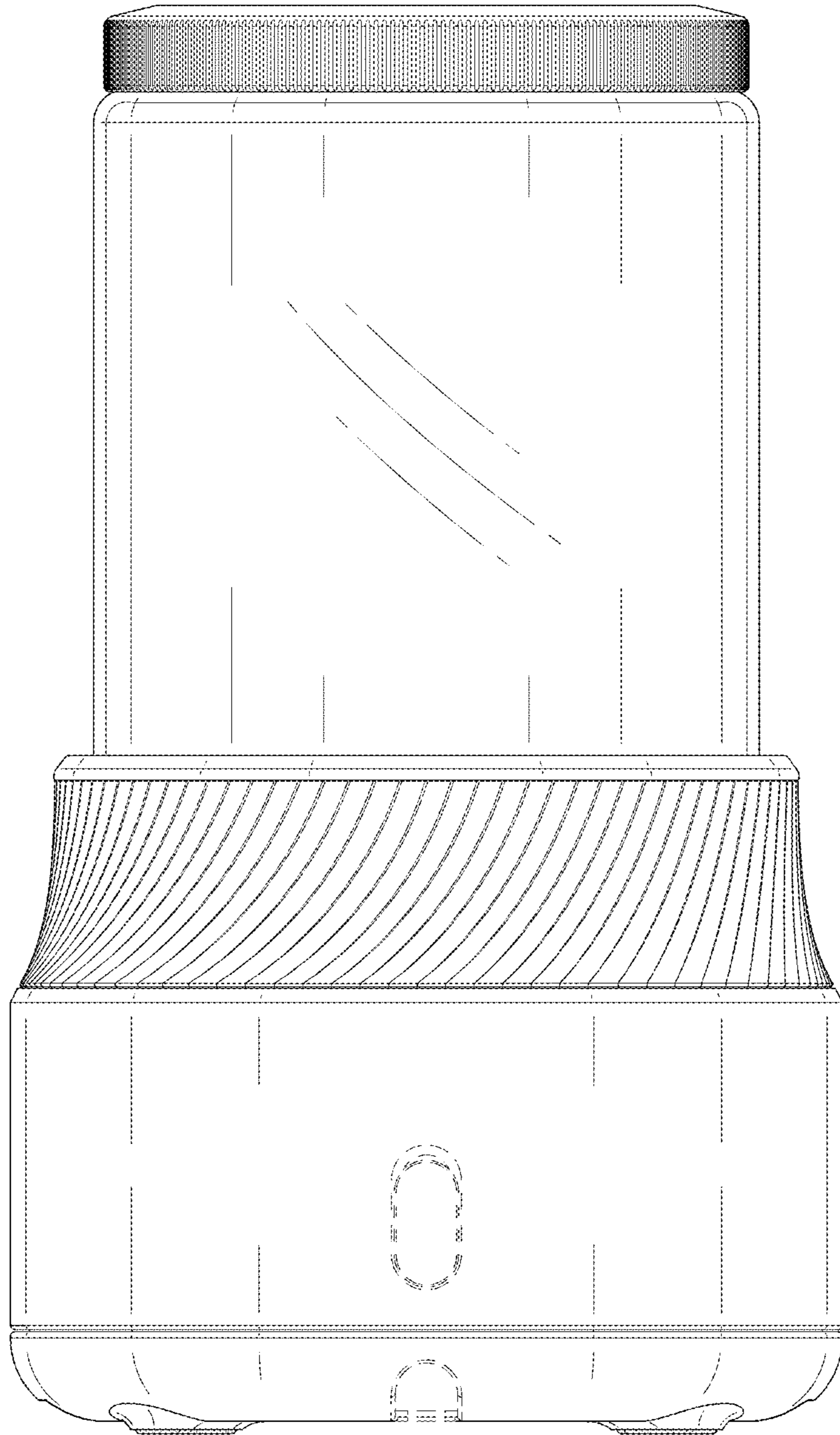


FIG. 3

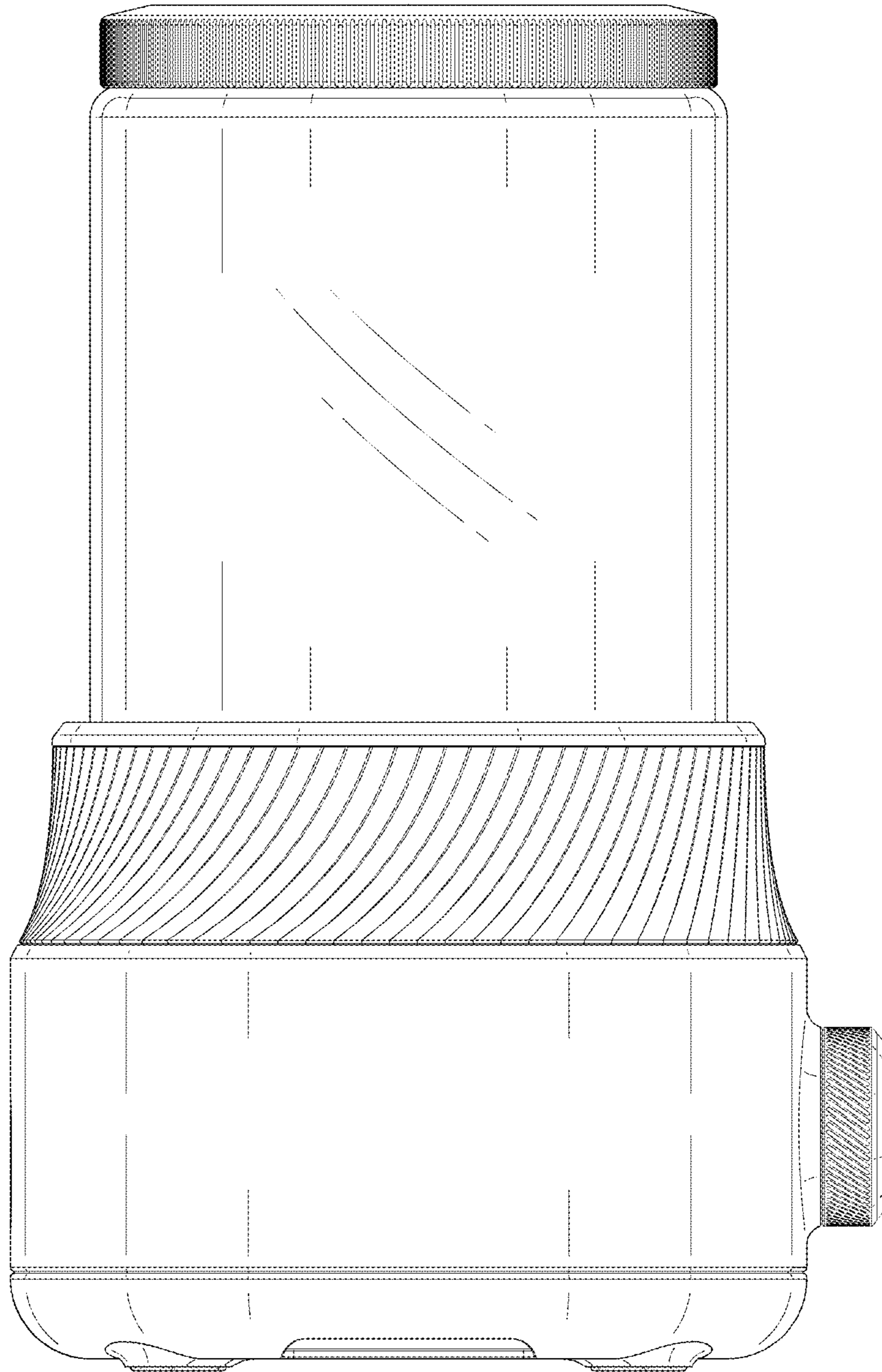


FIG.4

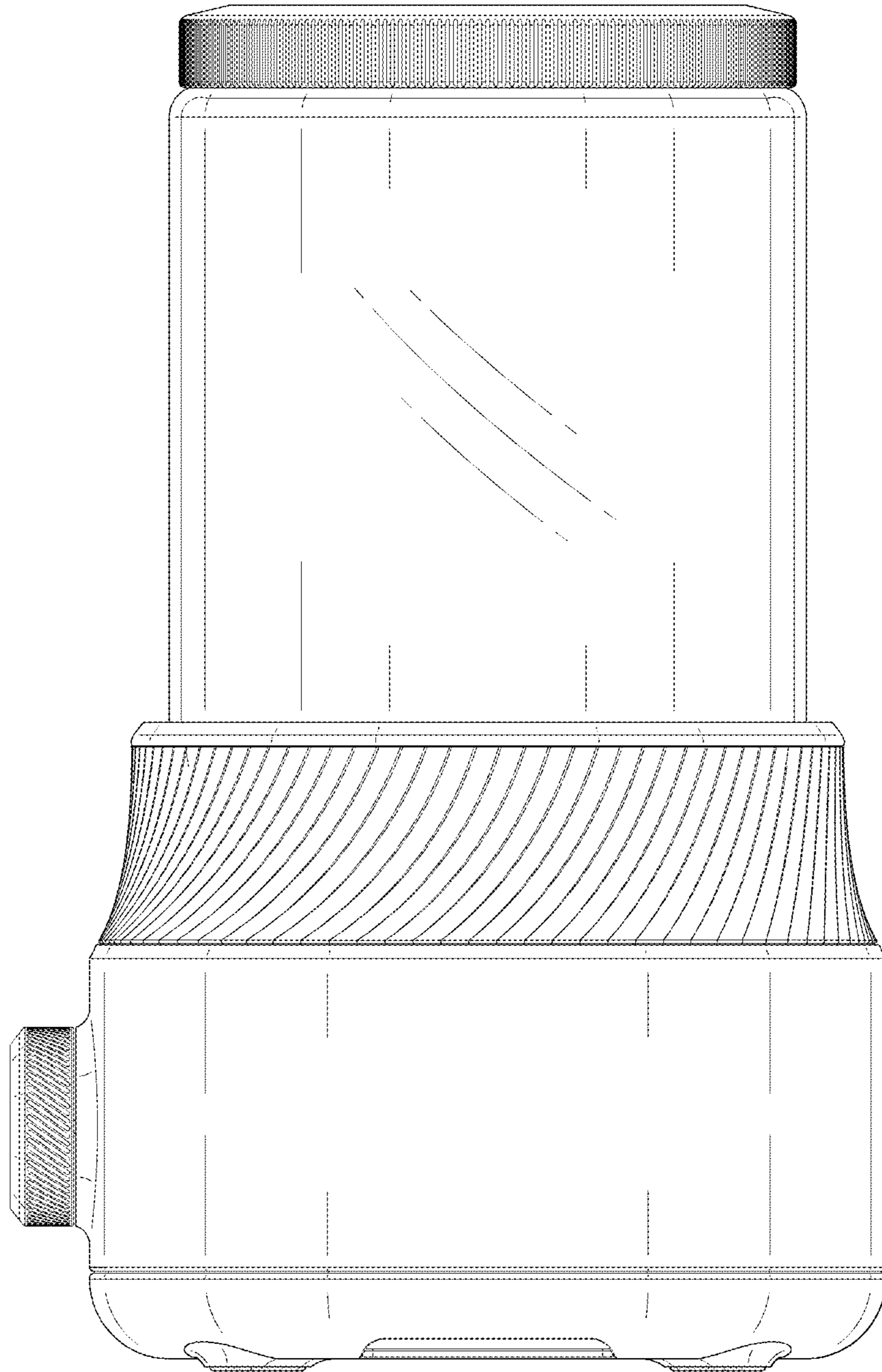


FIG. 5



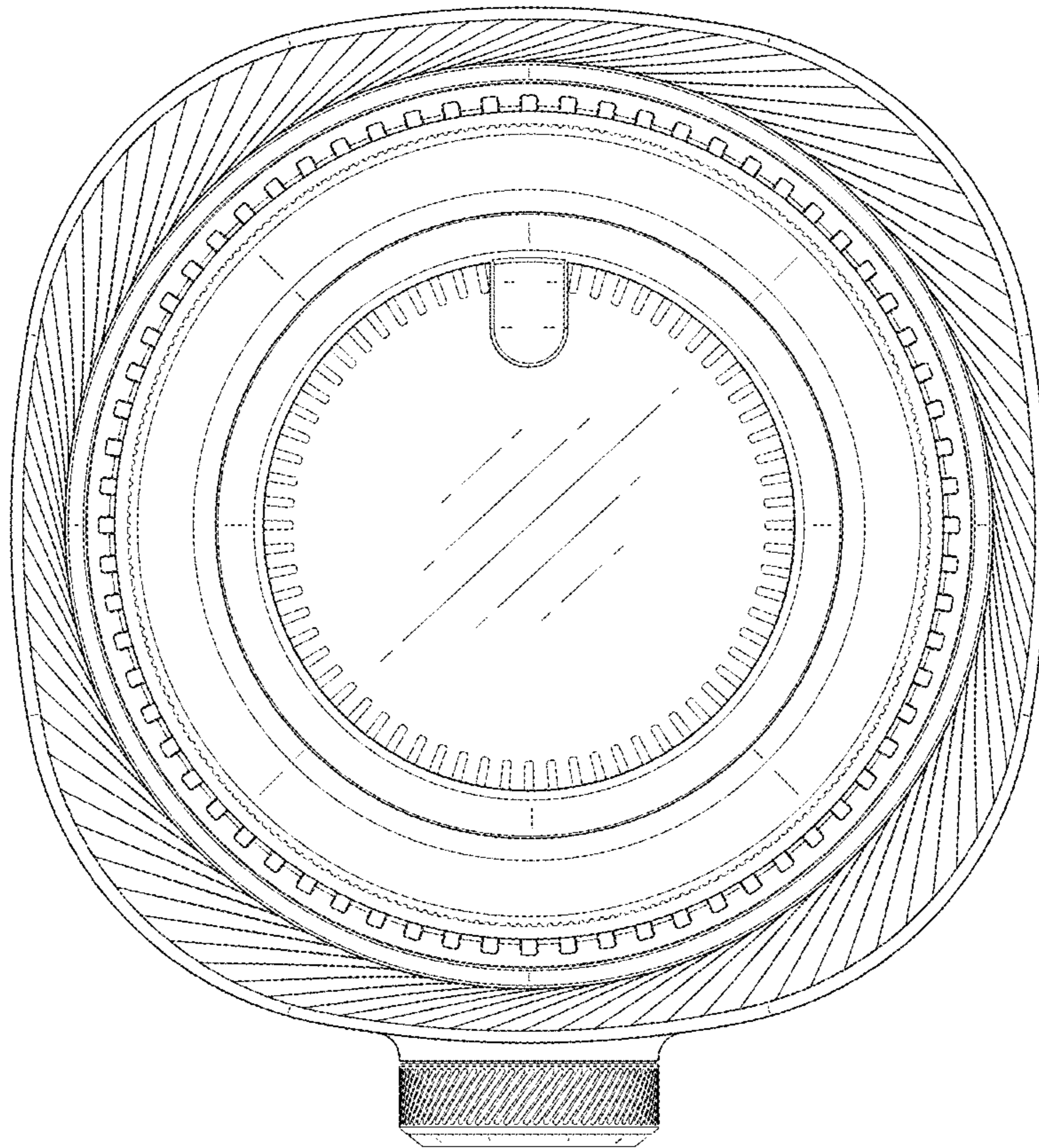


FIG.6

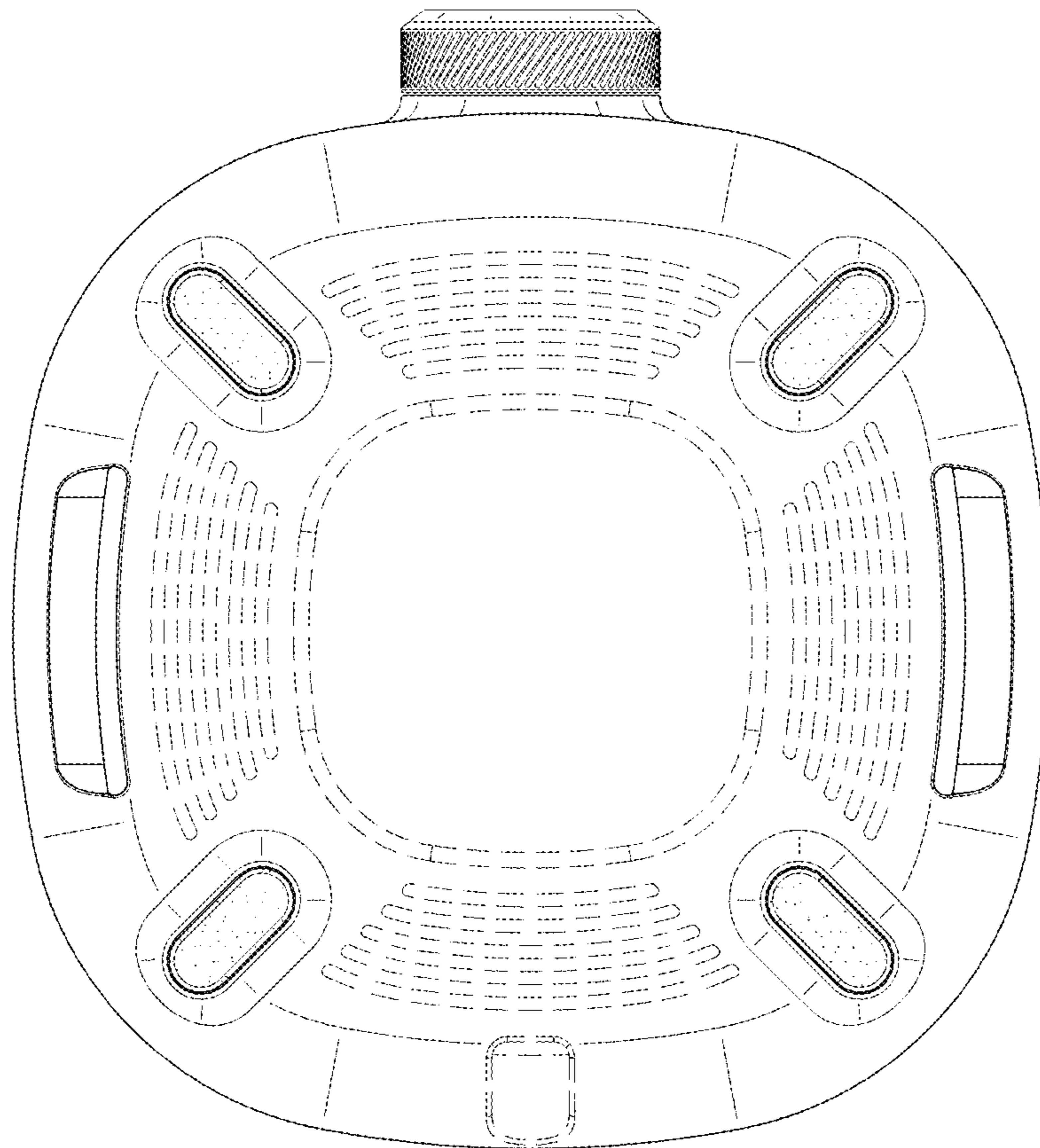


FIG. 7