

US00D948905S

(12) **United States Design Patent** (10) **Patent No.:** **US D948,905 S**
Donaghey (45) **Date of Patent:** **** Apr. 19, 2022**

(54) **BEVERAGE MAKING MACHINE**
(71) Applicant: **Sodaking IPV Pty Ltd**, Mulgrave (AU)
(72) Inventor: **Andrew Donaghey**, Mulgrave (AU)
(73) Assignee: **SODAKING IPV PTY LTD**, Mulgrave (AU)
(**) Term: **15 Years**

D769,663 S * 10/2016 Palermo D7/306
D770,846 S * 11/2016 Bueno D7/376
D834,869 S * 12/2018 Ljungh D7/306
D846,329 S * 4/2019 Zimmermann D7/310
D853,773 S * 7/2019 Harrod D7/309
D856,058 S * 8/2019 Szabo D7/306
D869,217 S * 12/2019 Stropkay D7/306
D872,513 S * 1/2020 Kaplan D7/306
D879,534 S * 3/2020 Donaghey D7/306
D882,321 S * 4/2020 Fisher Wong D7/309
2018/0002153 A1* 1/2018 Kim B67D 1/0888
2018/0177329 A1* 6/2018 Segiet A47J 31/4403

(21) Appl. No.: **29/724,277**

(22) Filed: **Feb. 13, 2020**

(30) **Foreign Application Priority Data**

Aug. 13, 2019 (AU) 201914551

(51) **LOC (13) Cl.** **07-01**

(52) **U.S. Cl.**
USPC **D7/306**

(58) **Field of Classification Search**
USPC D7/300, 305, 306, 309, 311, 312, 313,
D7/397

CPC A47J 31/46; A47J 31/407; A47J 31/50;
A47J 31/3628; A47J 31/4407; A47J
31/445; A47J 31/36; A47J 43/044

See application file for complete search history.

(56) **References Cited**

U.S. PATENT DOCUMENTS

D248,721 S * 8/1978 Sato D7/309
D376,949 S * 12/1996 Barriault D7/306
D400,759 S * 11/1998 Doggett D7/379
D468,581 S * 1/2003 Short D7/379
D535,851 S * 1/2007 Vavasere D7/379
D672,187 S * 12/2012 Milewski D7/306
D738,149 S * 9/2015 Ye D7/306
D753,428 S * 4/2016 Shao D7/306
D755,001 S * 5/2016 Lintner D7/306

* cited by examiner

Primary Examiner — Andrew Kerr

(74) *Attorney, Agent, or Firm* — Christensen O'Connor Johnson Kindness PLLC

(57) **CLAIM**

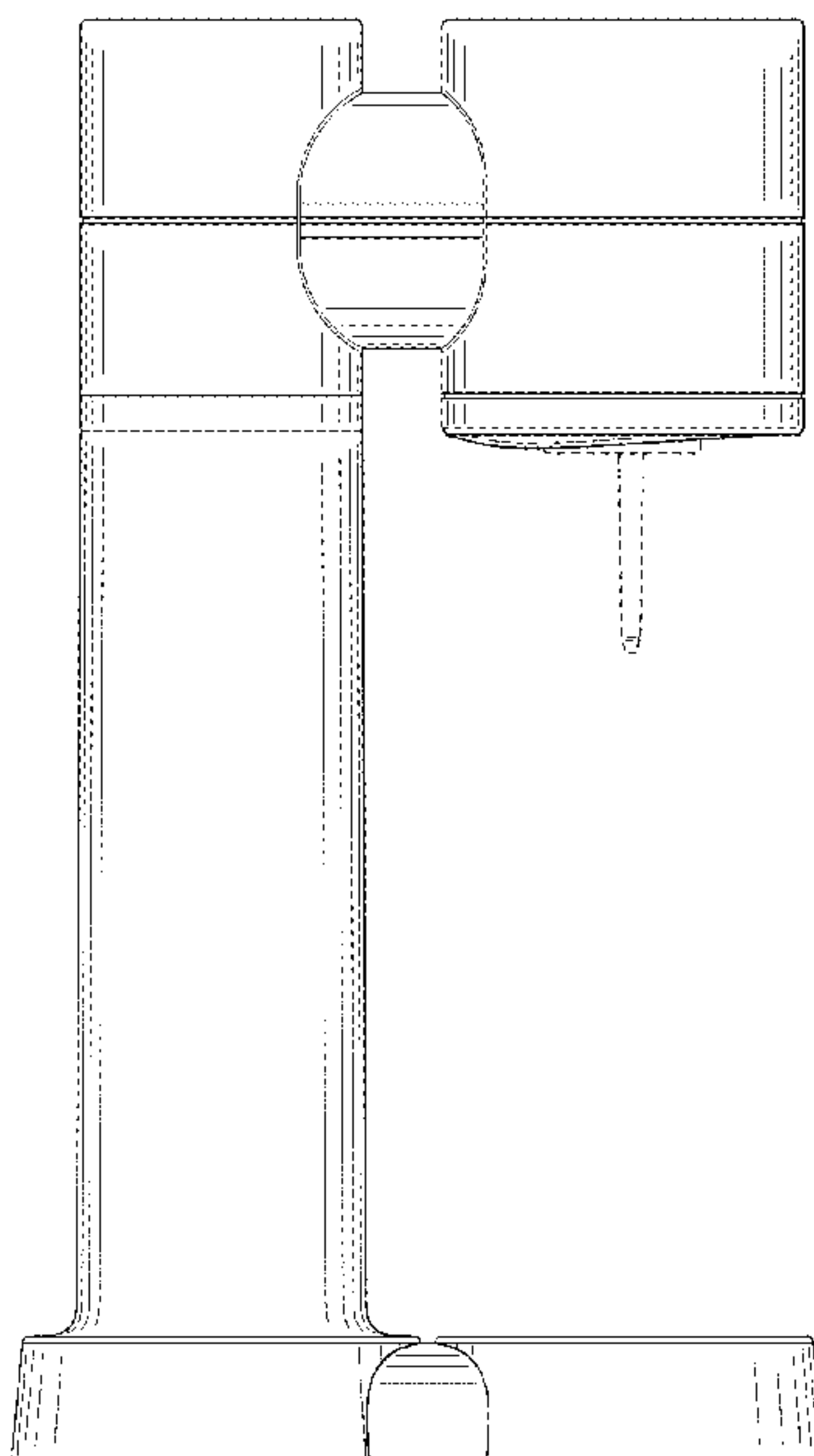
The ornamental design for a beverage making machine, as shown and described.

DESCRIPTION

FIG. 1 is a left side elevational view of a beverage making machine according to my new design;
FIG. 2 is a front elevational view thereof;
FIG. 3 is a right side elevational view thereof;
FIG. 4 is a rear elevational view thereof;
FIG. 5 is a top-rear-right perspective view thereof;
FIG. 6 is a top-front-right perspective view thereof;
FIG. 7 is a top-front-left perspective view thereof;
FIG. 8 is a bottom-rear-left perspective view thereof; and,
FIG. 9 is a bottom-front-right perspective view thereof.

The broken lines indicated by short lines show portions of the beverage making machine that form no part of the claimed design. The broken lines indicated by alternating long lines and pairs of short lines define boundaries of the claimed design and form no part thereof.

1 Claim, 9 Drawing Sheets



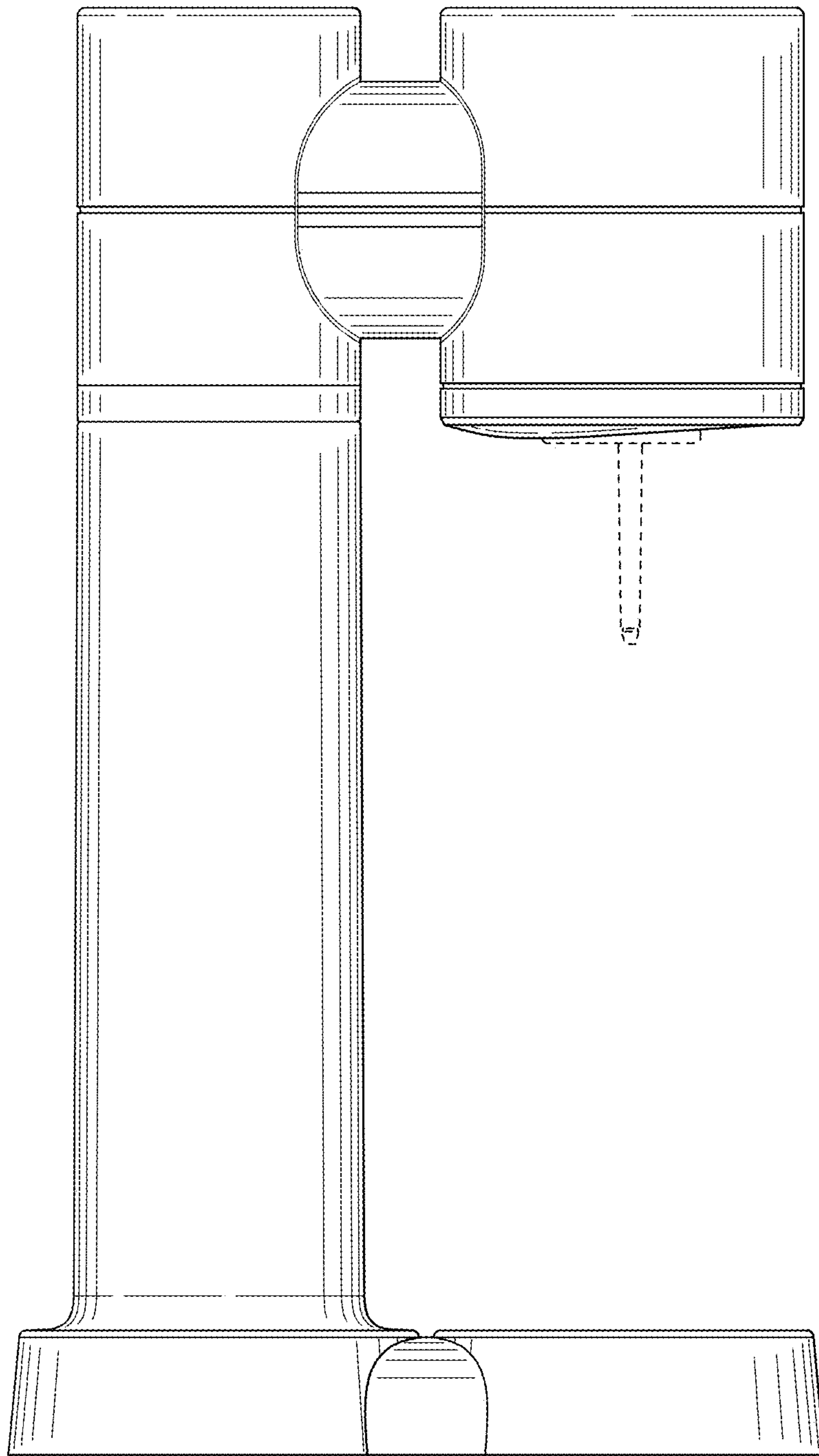


FIG. 1

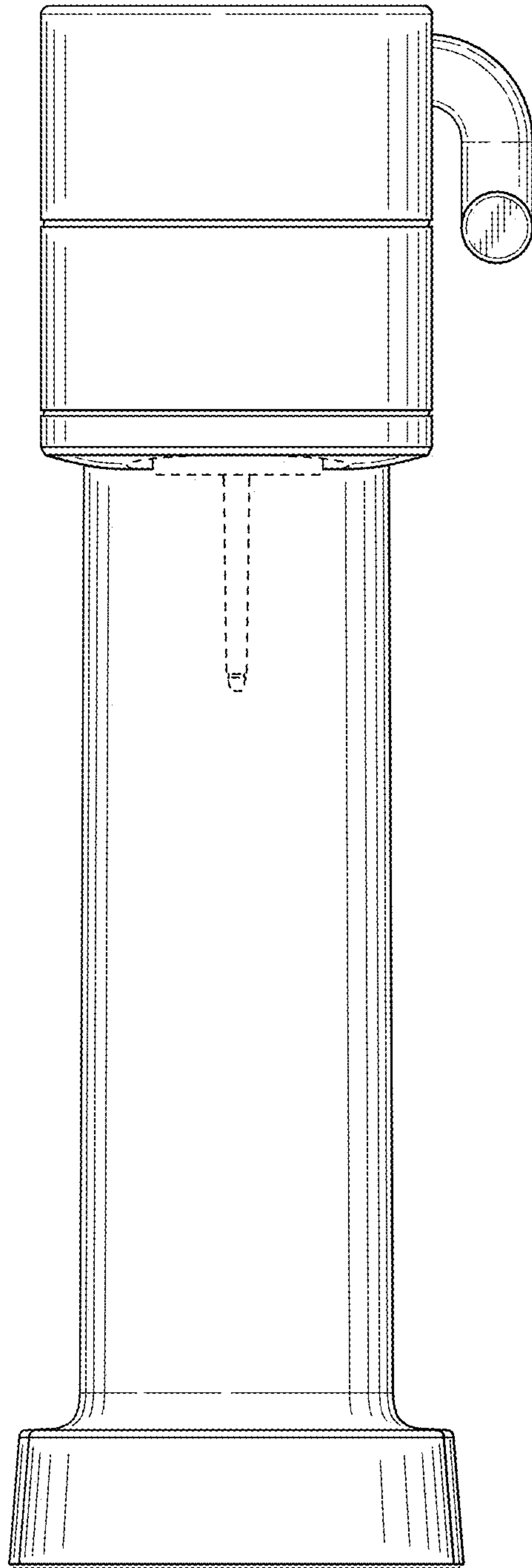


FIG. 2

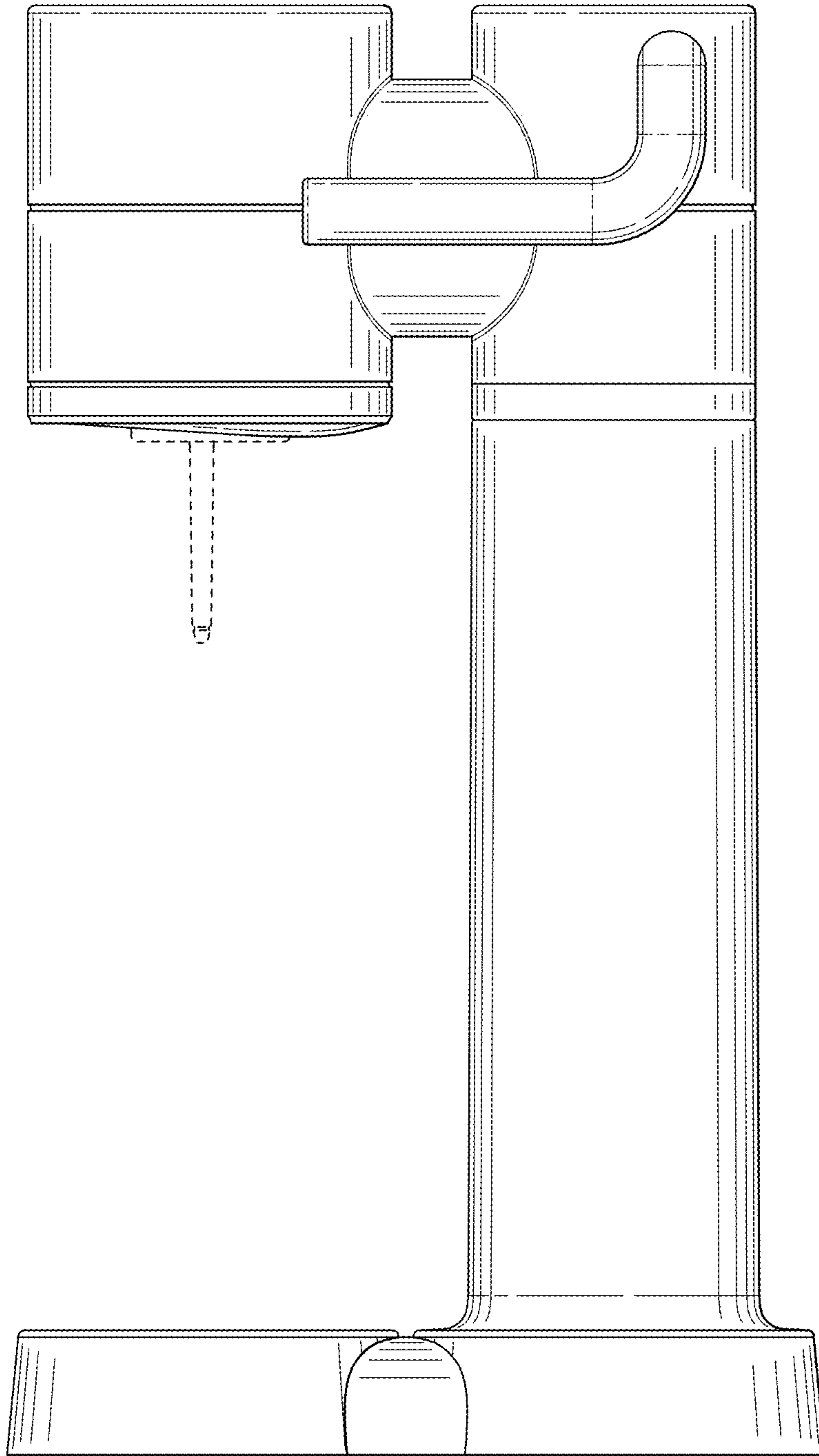


FIG. 3

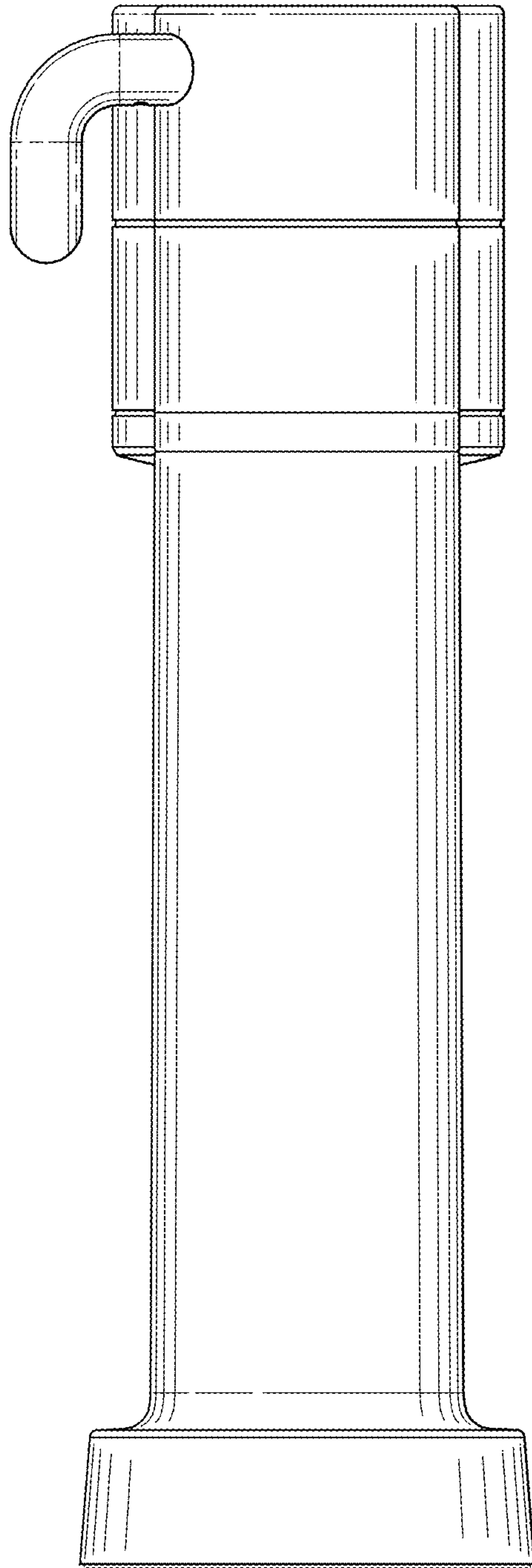


FIG. 4

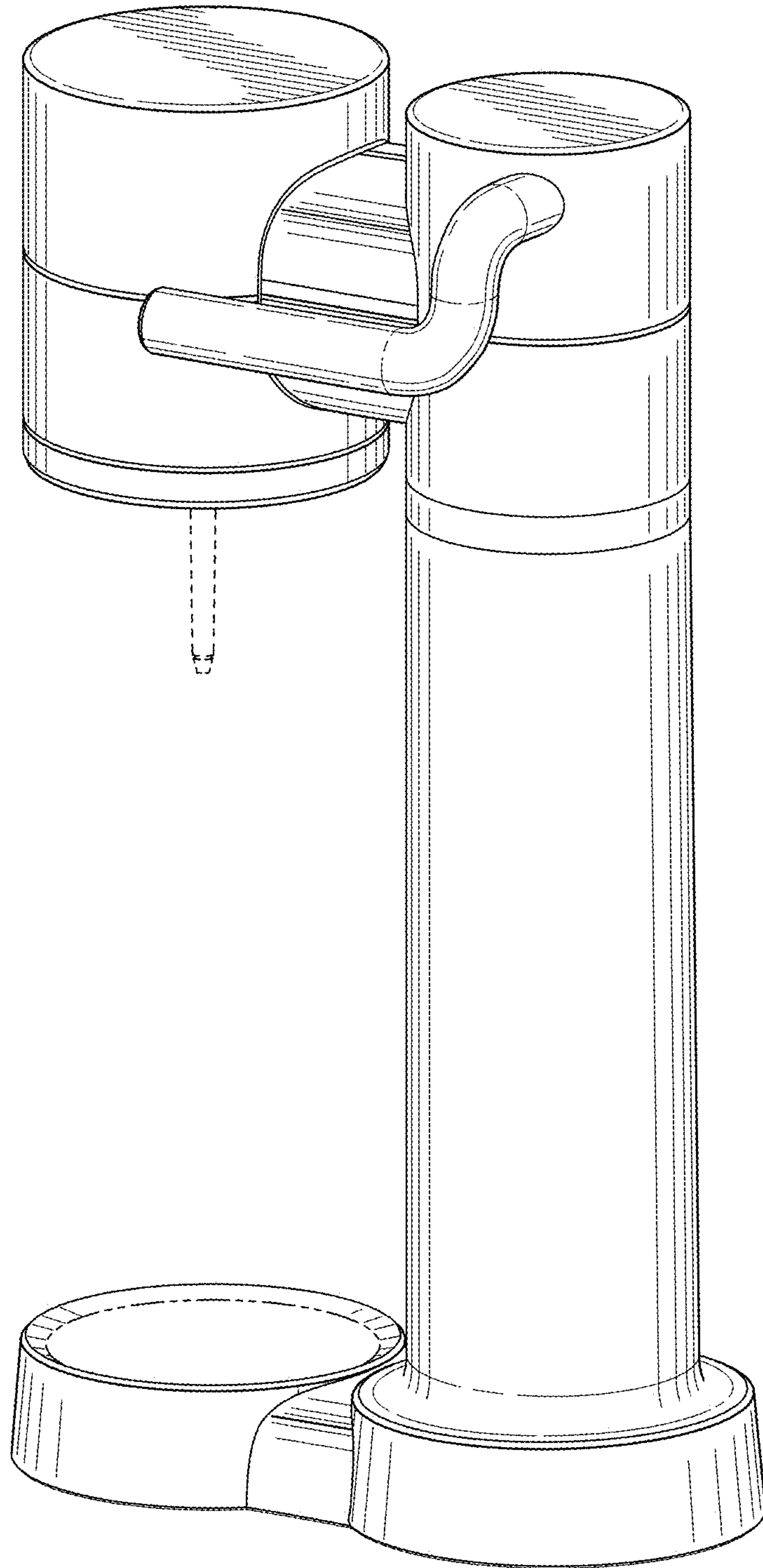


FIG. 5

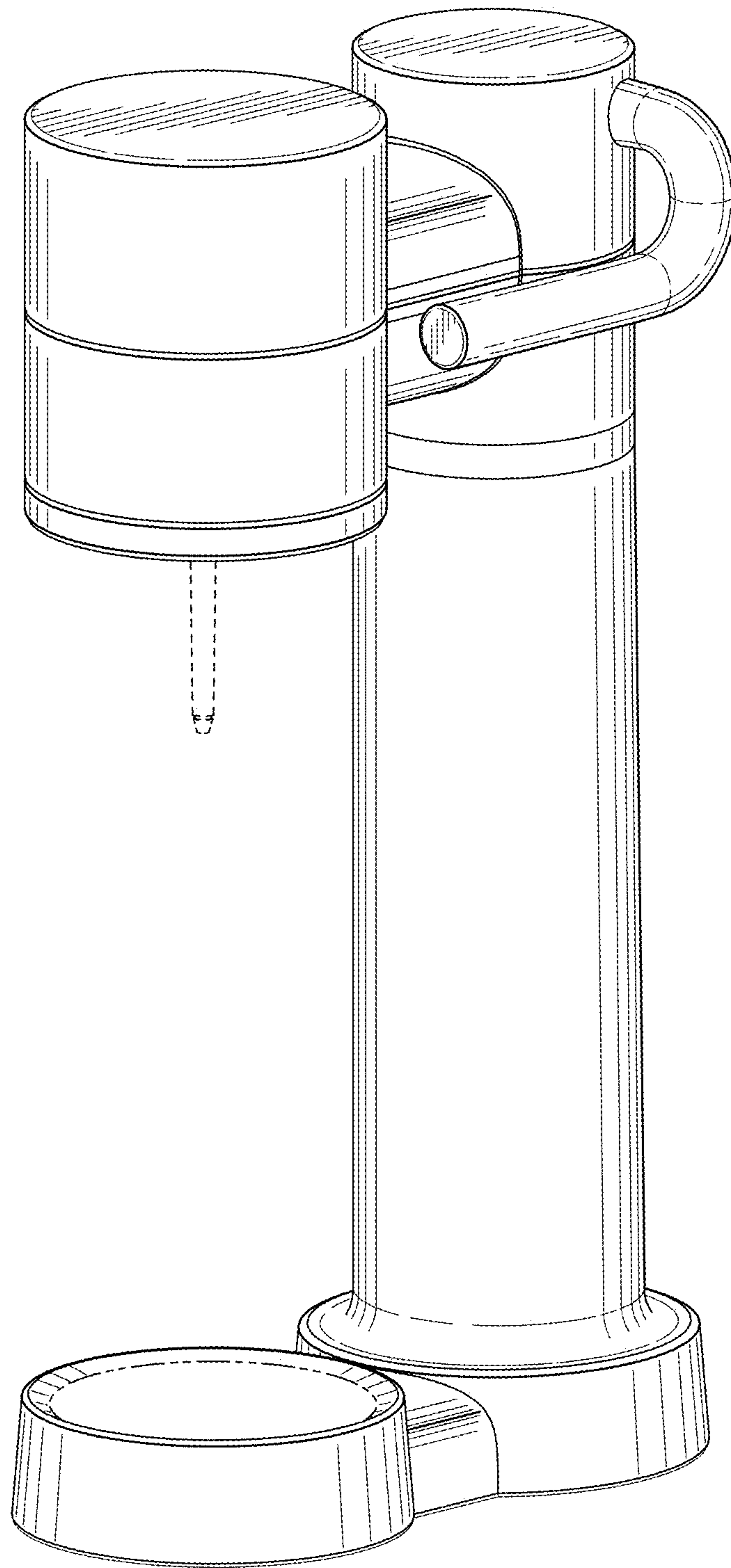


FIG. 6

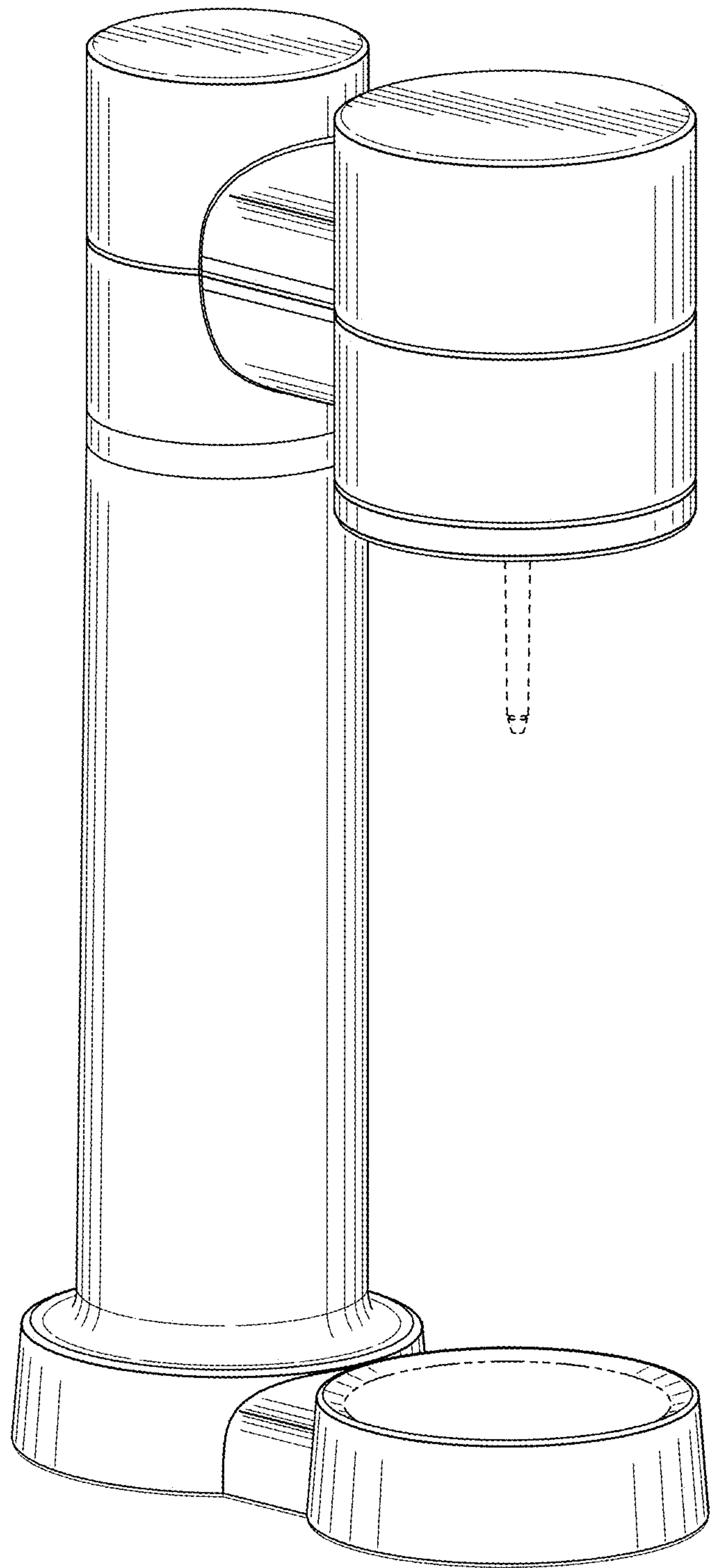


FIG. 7

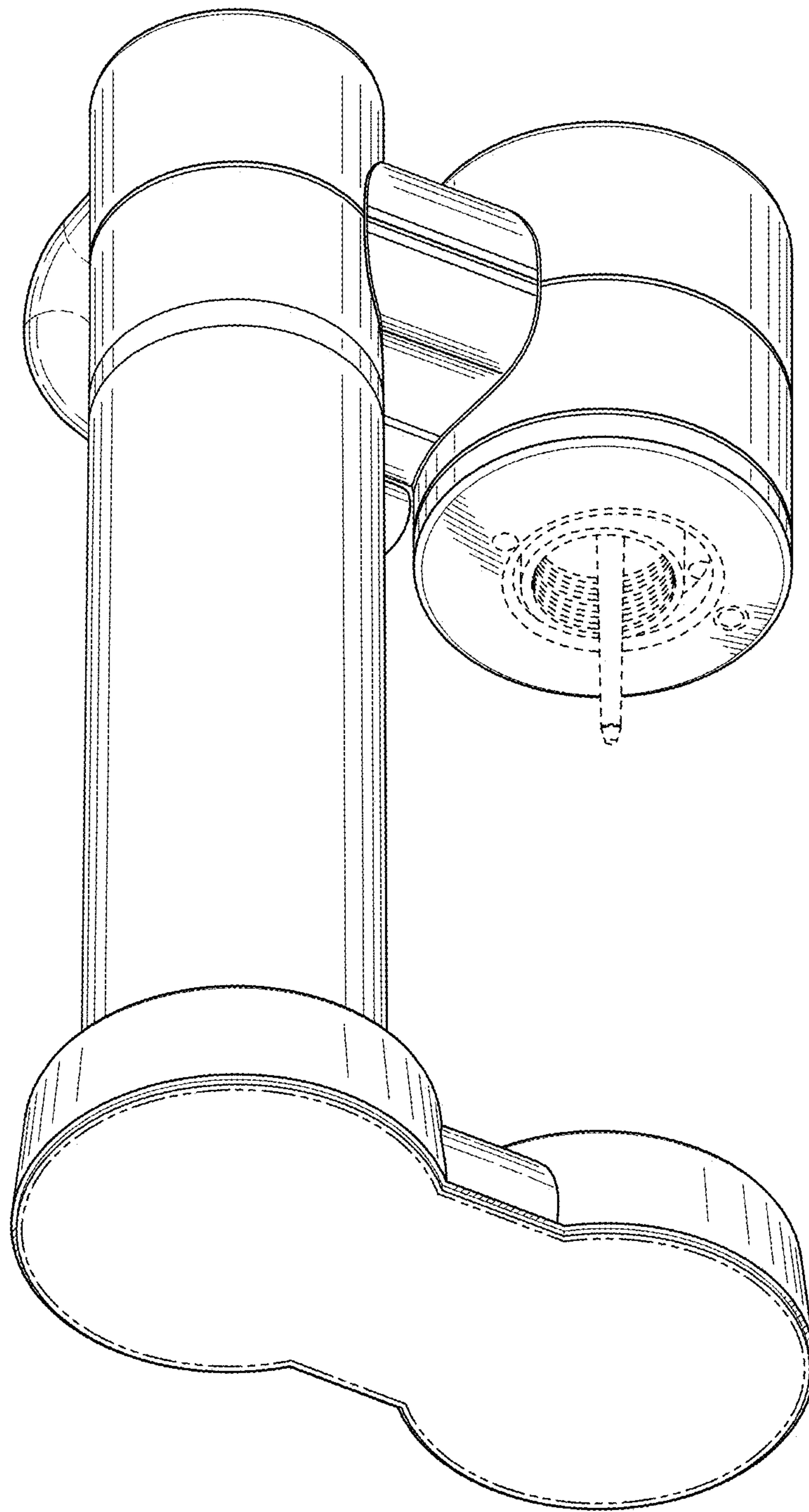


FIG. 8

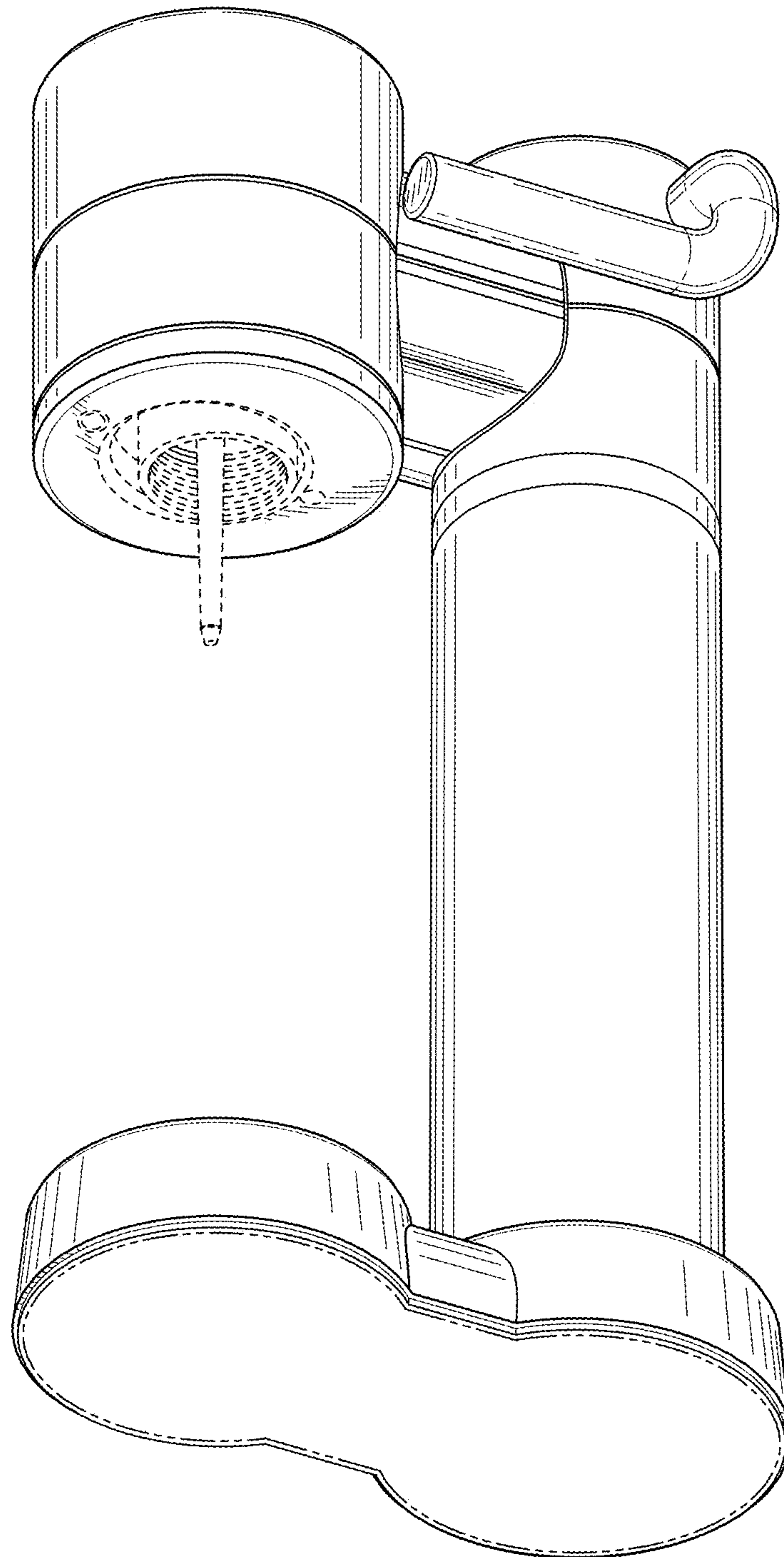


FIG. 9