



US00D948901S

(12) **United States Design Patent** (10) **Patent No.:** **US D948,901 S**  
**Velez** (45) **Date of Patent:** **\*\* Apr. 19, 2022**

(54) **TABLE**

(71) Applicant: **HOLLY HUNT ENTERPRISES, INC.**, Chicago, IL (US)

(72) Inventor: **Alberto Velez**, Chicago, IL (US)

(73) Assignee: **HOLLY HUNT ENTERPRISES, INC.**

(\*\*) Term: **15 Years**

(21) Appl. No.: **29/711,106**

(22) Filed: **Oct. 29, 2019**

(51) **LOC (13) Cl.** ..... **06-03**

(52) **U.S. Cl.**  
USPC ..... **D6/691.5**

(58) **Field of Classification Search**

USPC ... D6/685, 686, 690, 691, 691.1–691.9, 695, D6/695.1–695.8, 696, 696.1–696.7, 697, D6/697.1, 697.2

CPC ..... A47B 7/00; A47B 13/00; A47B 13/02; A47B 13/023; A47B 13/04; A47B 13/06; A47B 13/08; A47B 13/10; A47B 13/12; A47B 21/00; A47B 2200/0001; A47B 2200/0011; A47B 2200/002

See application file for complete search history.

(56) **References Cited**

**U.S. PATENT DOCUMENTS**

D362,140 S 9/1995 Pedersen  
D382,424 S \* 8/1997 Lenger ..... D6/691.3  
D505,282 S 5/2005 Miyakawa  
D655,109 S \* 3/2012 Stoepker ..... D6/695.2  
D774,809 S \* 12/2016 Grassinger ..... D6/691.3

(Continued)

**OTHER PUBLICATIONS**

Holly Hunt website, <https://www.hollyhunt.com/ShowProduct.aspx?ProductID=3490&ManufacturerID=1>, retrieved Oct. 28, 2019, pp. 1.

(Continued)

*Primary Examiner* — Mary Ann Calabrese

(74) *Attorney, Agent, or Firm* — The Belles Group, P.C.

(57) **CLAIM**

The ornamental design for a table, as shown and described.

**DESCRIPTION**

FIG. 1 is a front perspective view of a table according to a first embodiment of the new design;

FIG. 2 is a rear perspective view thereof;

FIG. 3 is a front view thereof;

FIG. 4 is a rear view thereof;

FIG. 5 is a right side view thereof;

FIG. 6 is a left side view thereof;

FIG. 7 is a top view thereof;

FIG. 8 is a bottom view thereof;

FIG. 9 is a front perspective view of a table according to a second embodiment of the new design;

FIG. 10 is a rear perspective view thereof;

FIG. 11 is a front view thereof;

FIG. 12 is a rear view thereof;

FIG. 13 is a right side view thereof;

FIG. 14 is a left side view thereof;

FIG. 15 is a top view thereof;

FIG. 16 is a bottom view thereof;

FIG. 17 is a front perspective view of a table according to a third embodiment of the new design;

FIG. 18 is a rear perspective view thereof;

FIG. 19 is a front view thereof;

FIG. 20 is a rear view thereof;

FIG. 21 is a right side view thereof;

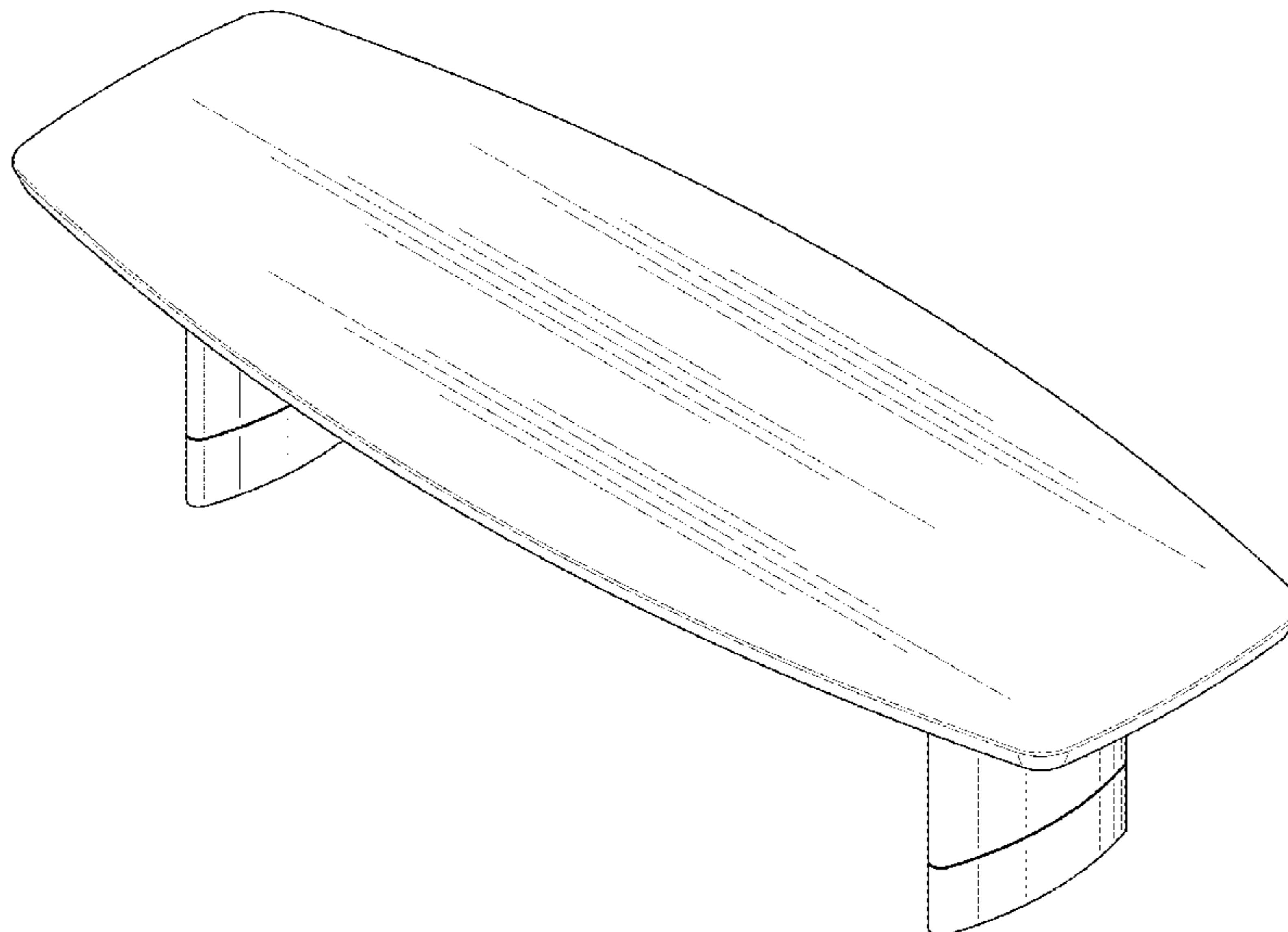
FIG. 22 is a left side view thereof;

FIG. 23 is a top view thereof; and,

FIG. 24 is a bottom view thereof.

The broken lines illustrate portions of the table that form no part of the claimed design.

**1 Claim, 24 Drawing Sheets**



(56)

**References Cited**

U.S. PATENT DOCUMENTS

D781,086 S     3/2017 Velez et al.  
D784,743 S \*  4/2017 Grassinger ..... D6/691  
D792,135 S     7/2017 Wyman  
D893,900 S \*  8/2020 Mandon ..... D6/349

OTHER PUBLICATIONS

Holly Hunt website, <https://www.hollyhunt.com/ShowProduct.aspx?ProductID=7773&ManufacturerID=1>, retrieved Oct. 28, 2019, pp. 1.

Holly Hunt website, <https://www.hollyhunt.com/ShowProduct.aspx?ProductID=21392&ManufacturerID=17>, retrieved Oct. 28, 2019, pp. 1.

Holly Hunt website, <https://www.hollyhunt.com/ShowProduct.aspx?ProductID=10323&ManufacturerID=17>, retrieved Oct. 28, 2019, pp. 1.

Holly Hunt website, <https://www.hollyhunt.com/ShowProduct.aspx?ProductID=5339&ManufacturerID=1>, retrieved Oct. 28, 2019, pp. 1.

CB2 website, <https://www.cb2.com/bordo-dining-table/s668603>, retrieved Oct. 28, 2019, pp. 1-3.

George Nakashima Woodworkers website, <https://nakashimawoodworkers.com/furniture/>, retrieved Oct. 28, 2019, pp. 1-5.

\* cited by examiner

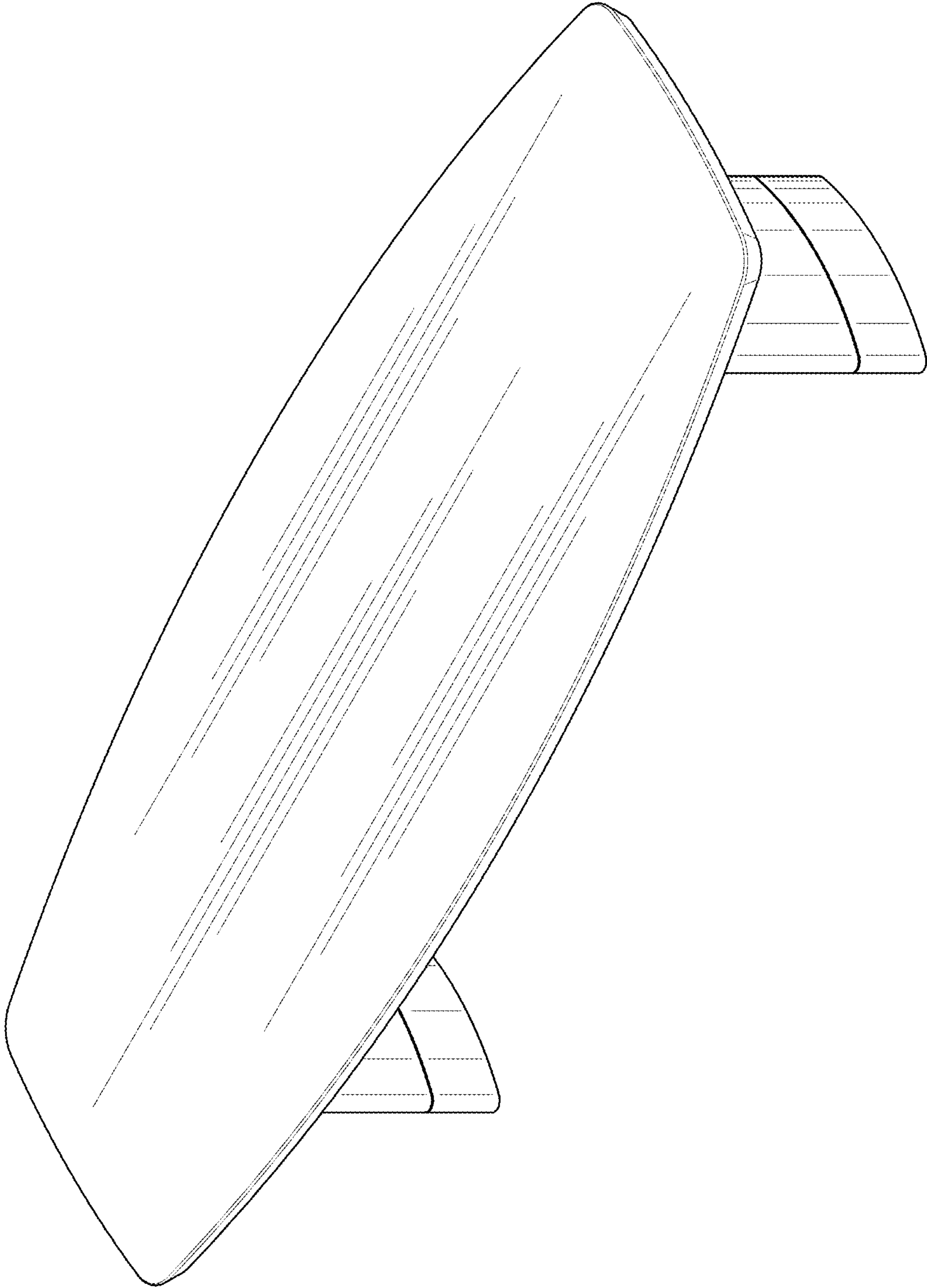


FIG. 1

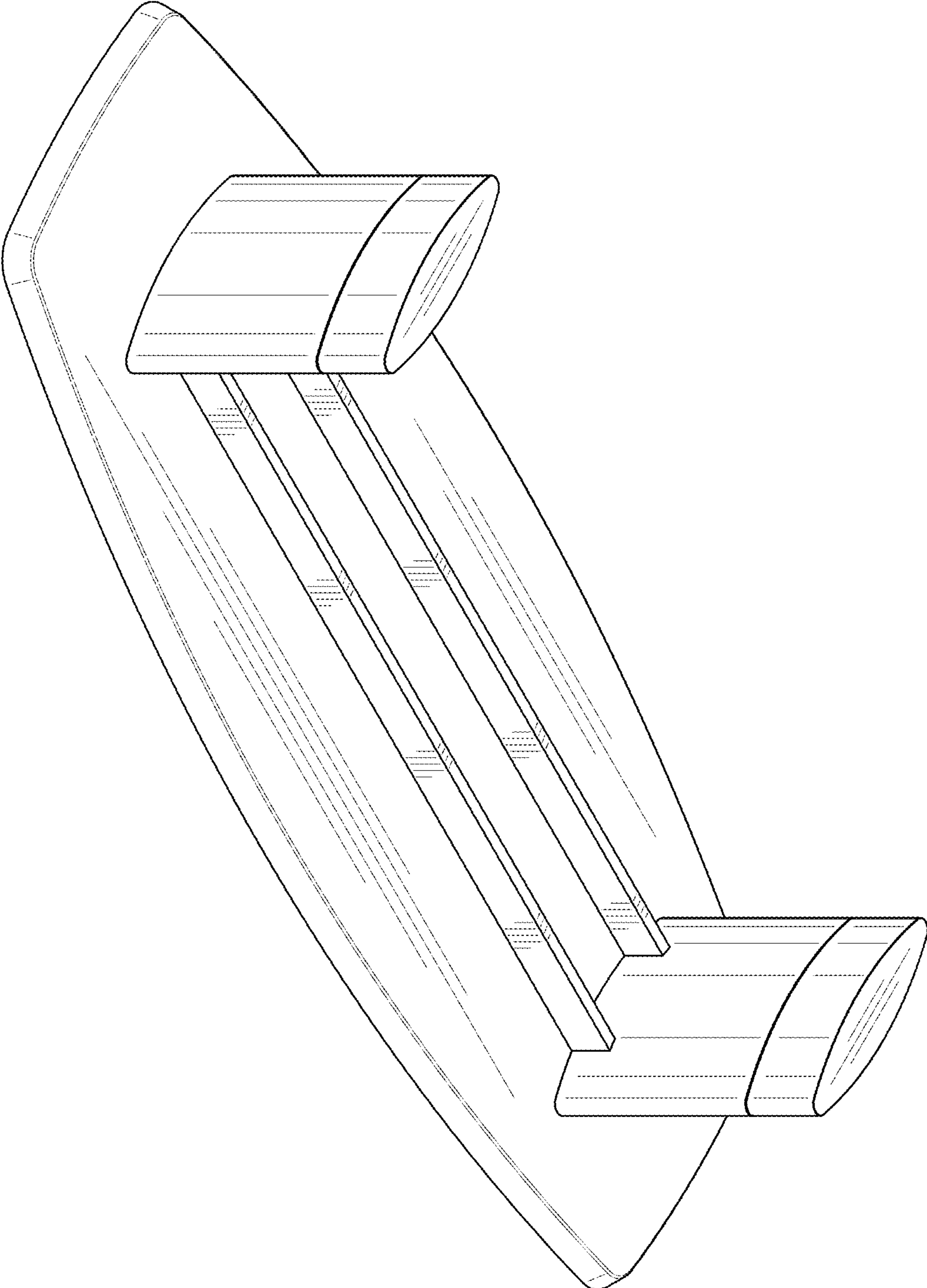


FIG. 2

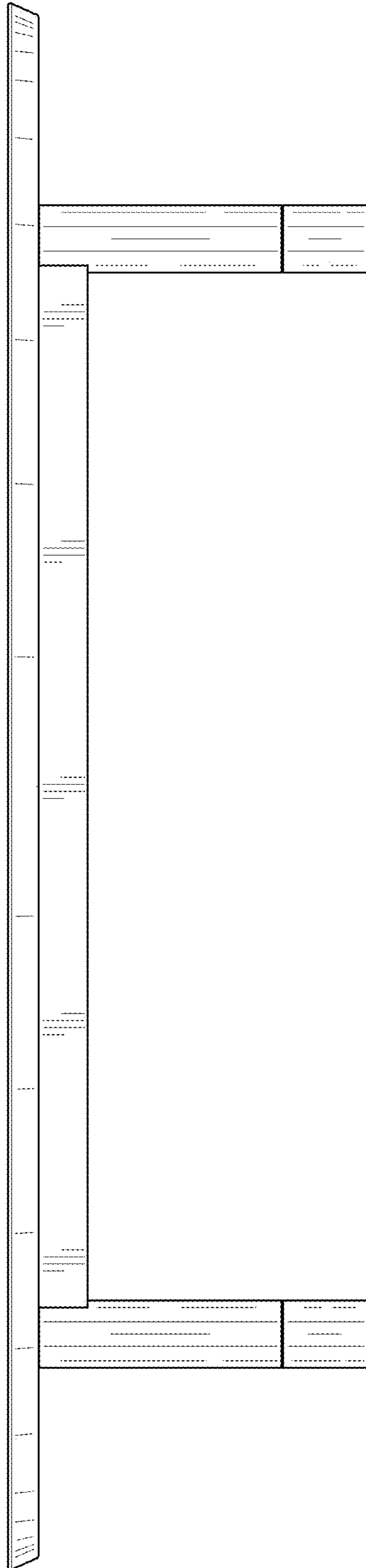


FIG. 3

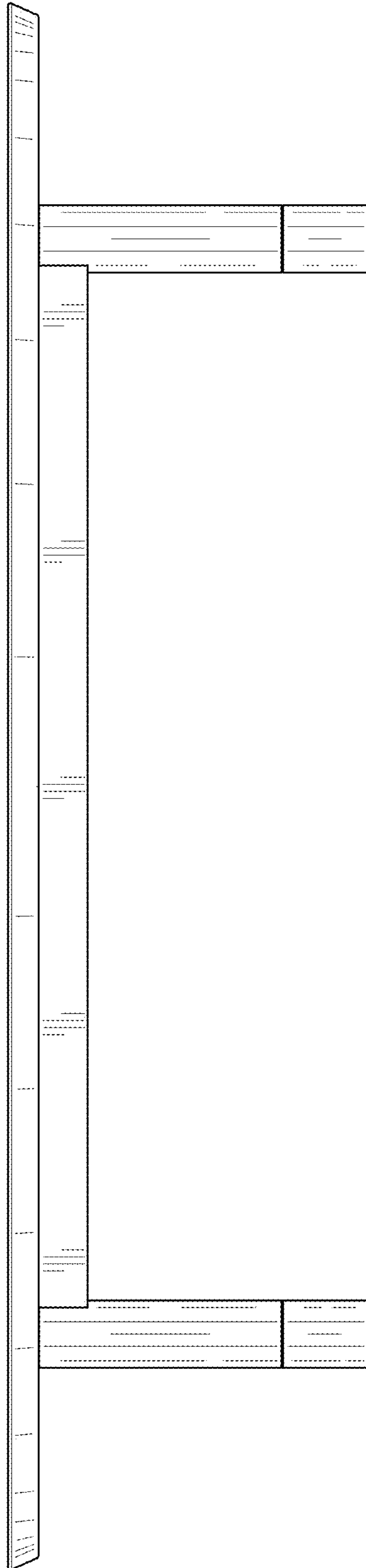


FIG. 4



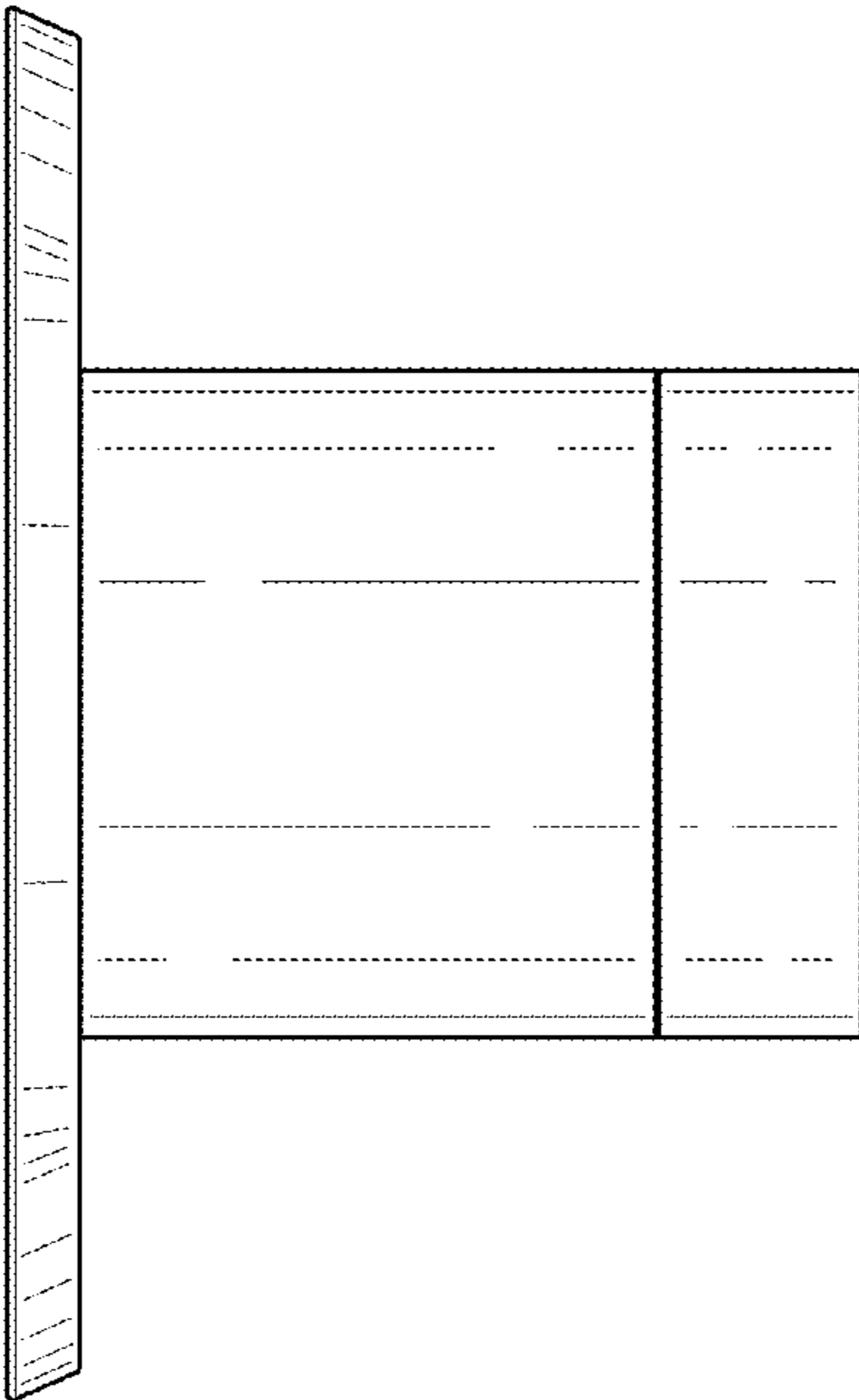


FIG. 5

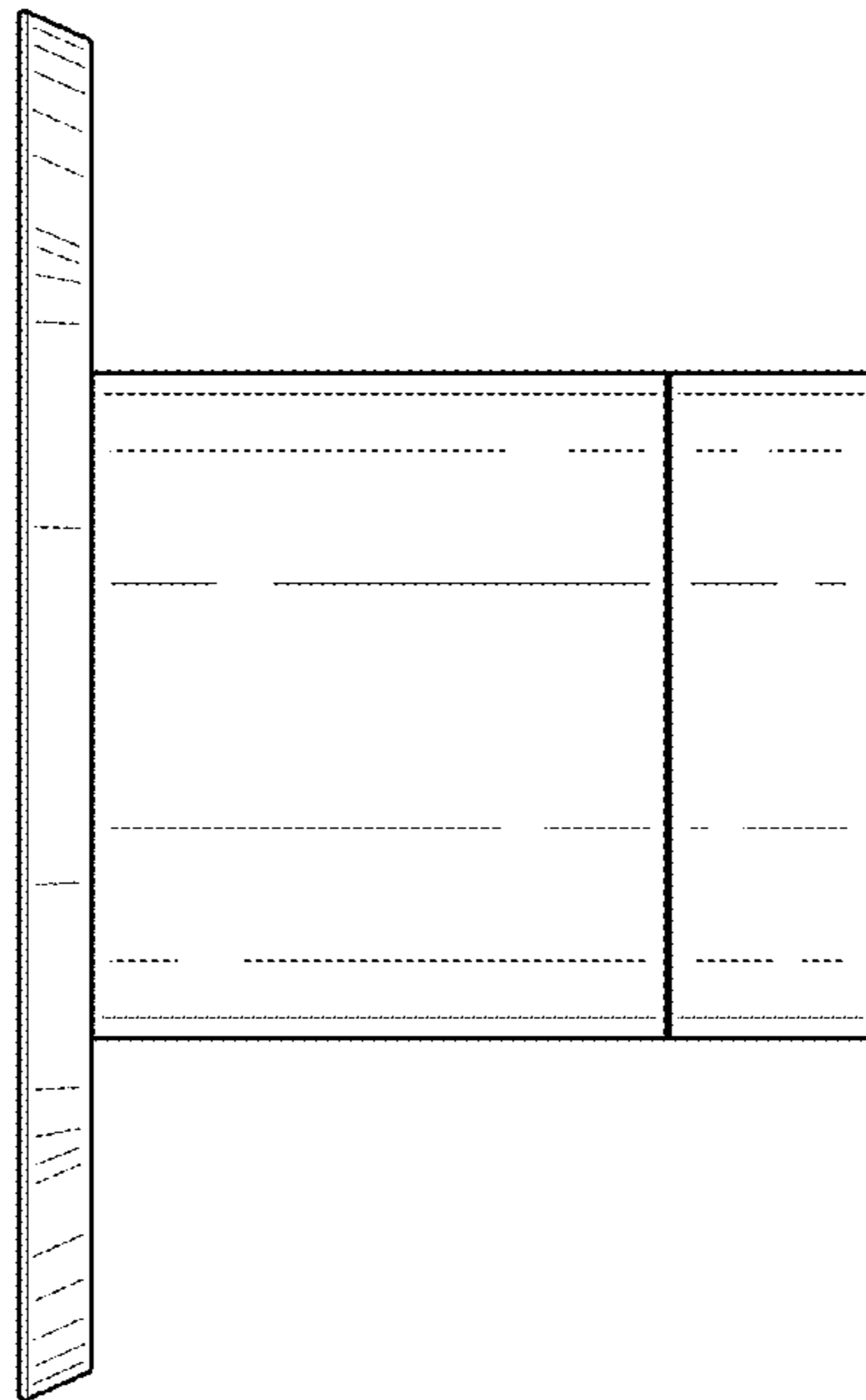


FIG. 6



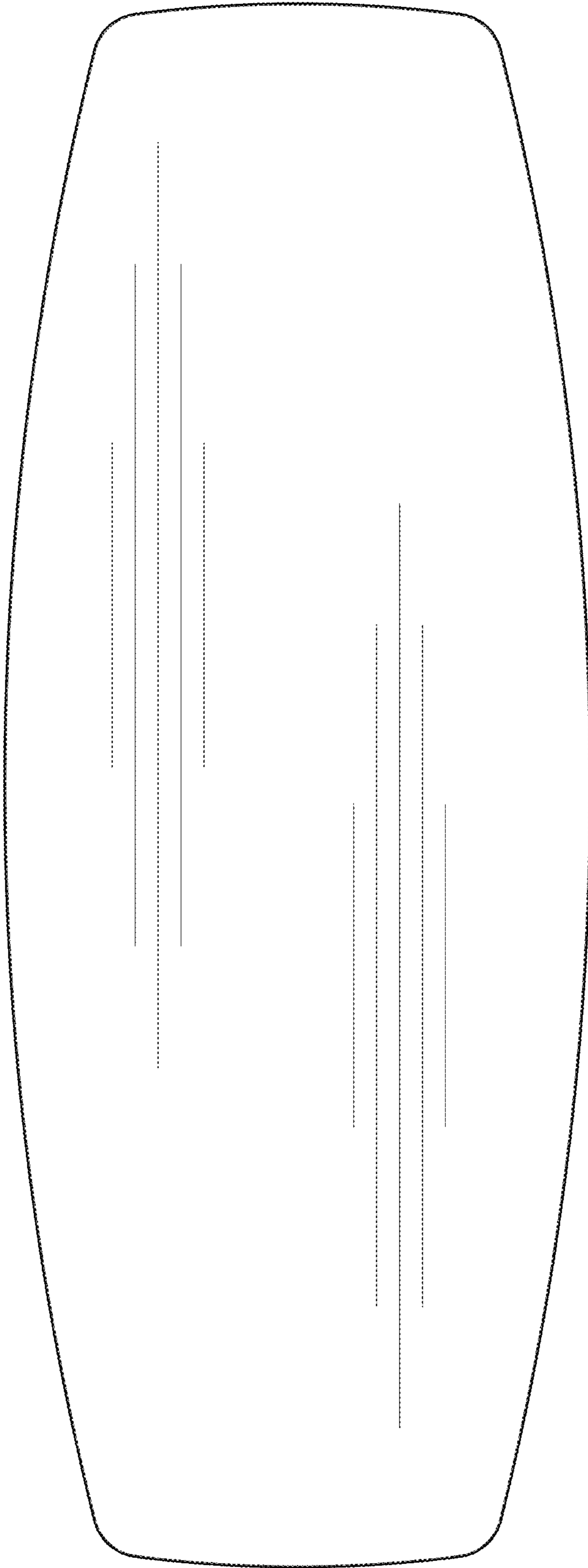


FIG. 7

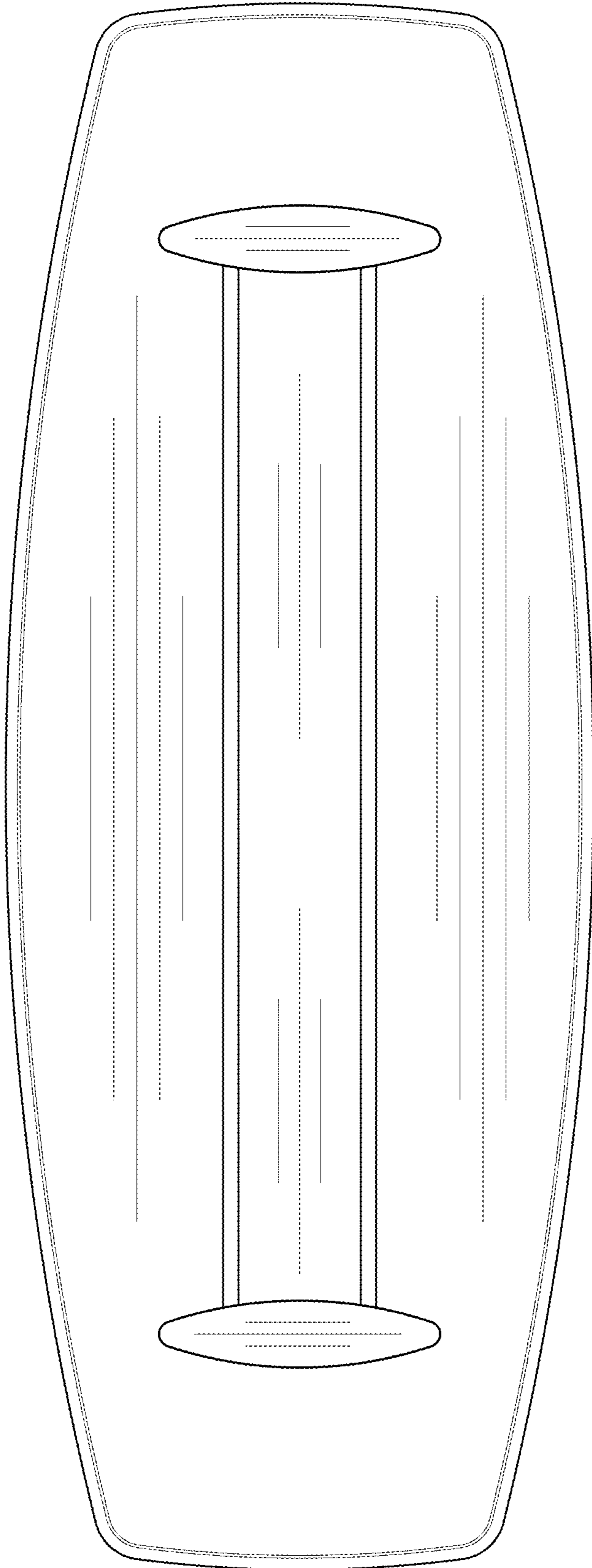


FIG. 8

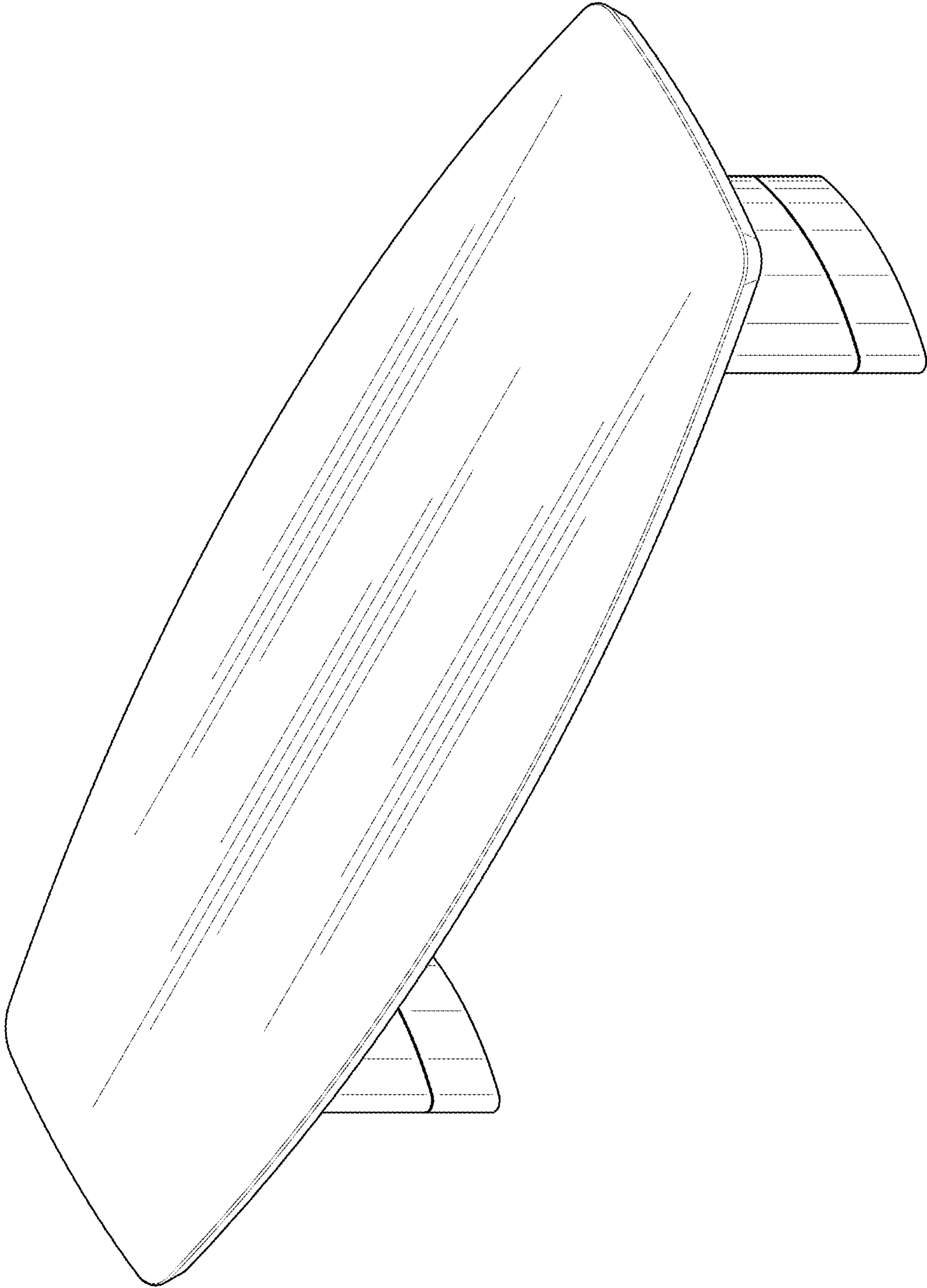


FIG. 9

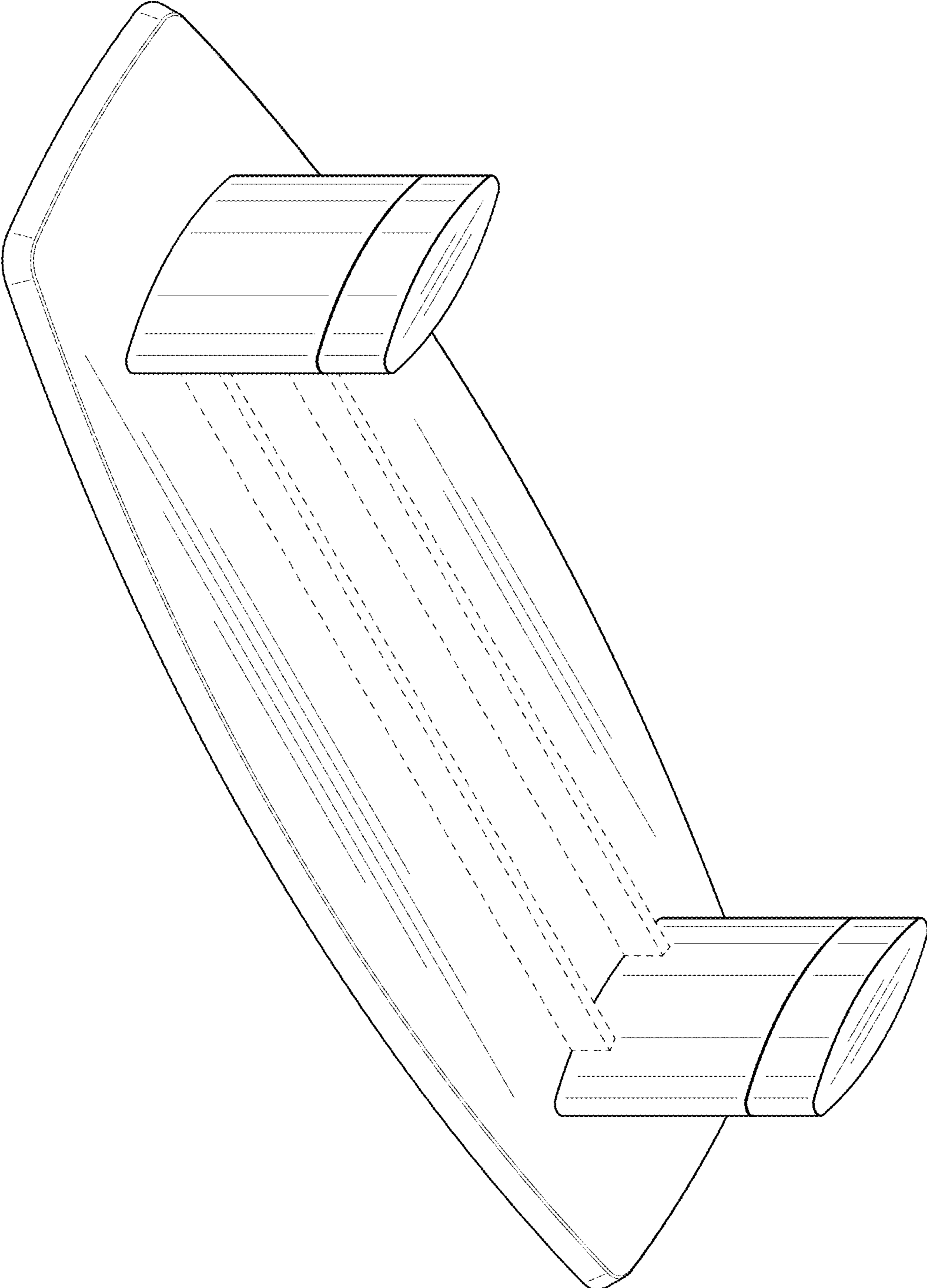


FIG. 10

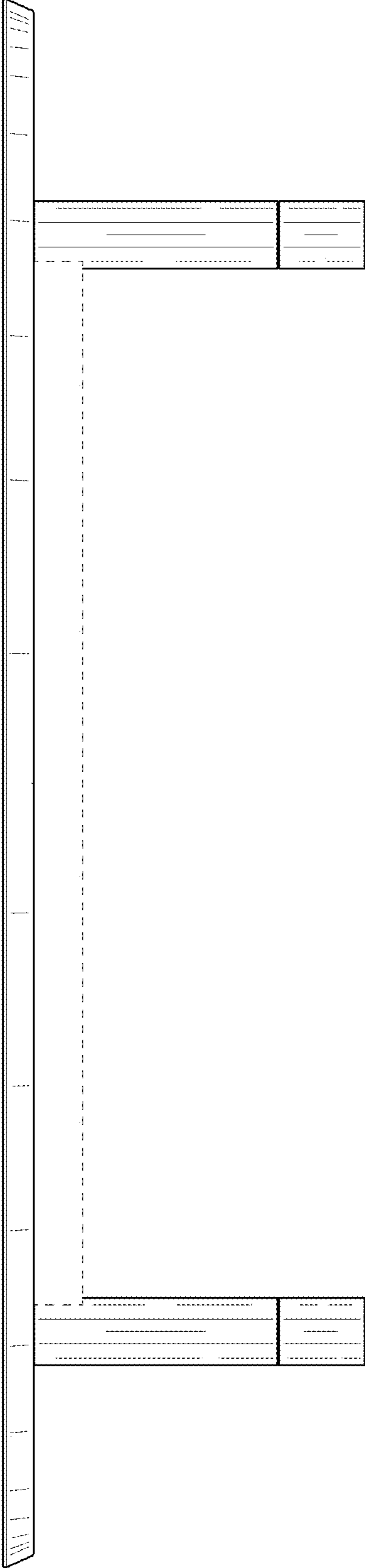


FIG. 11

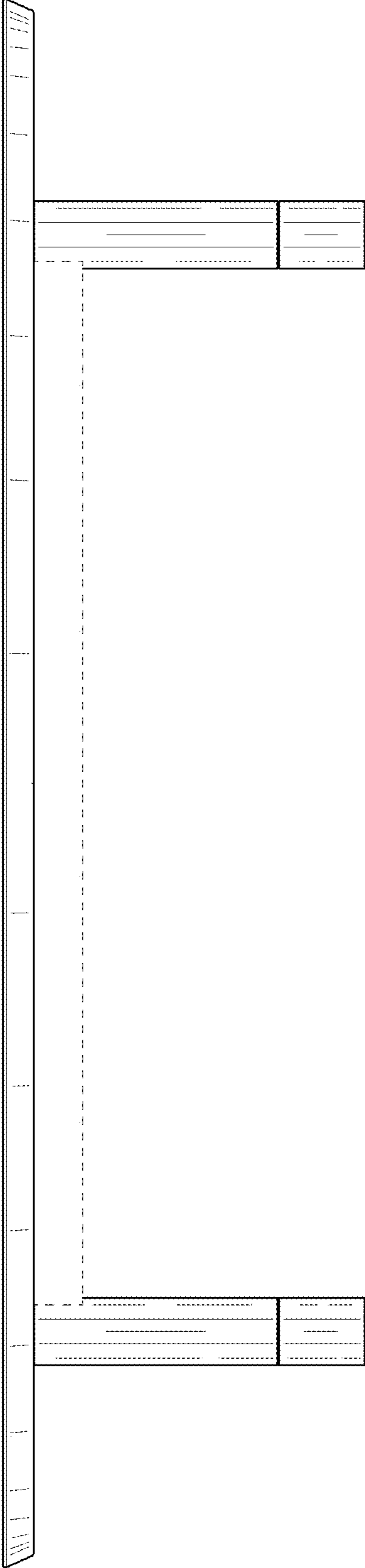


FIG. 12

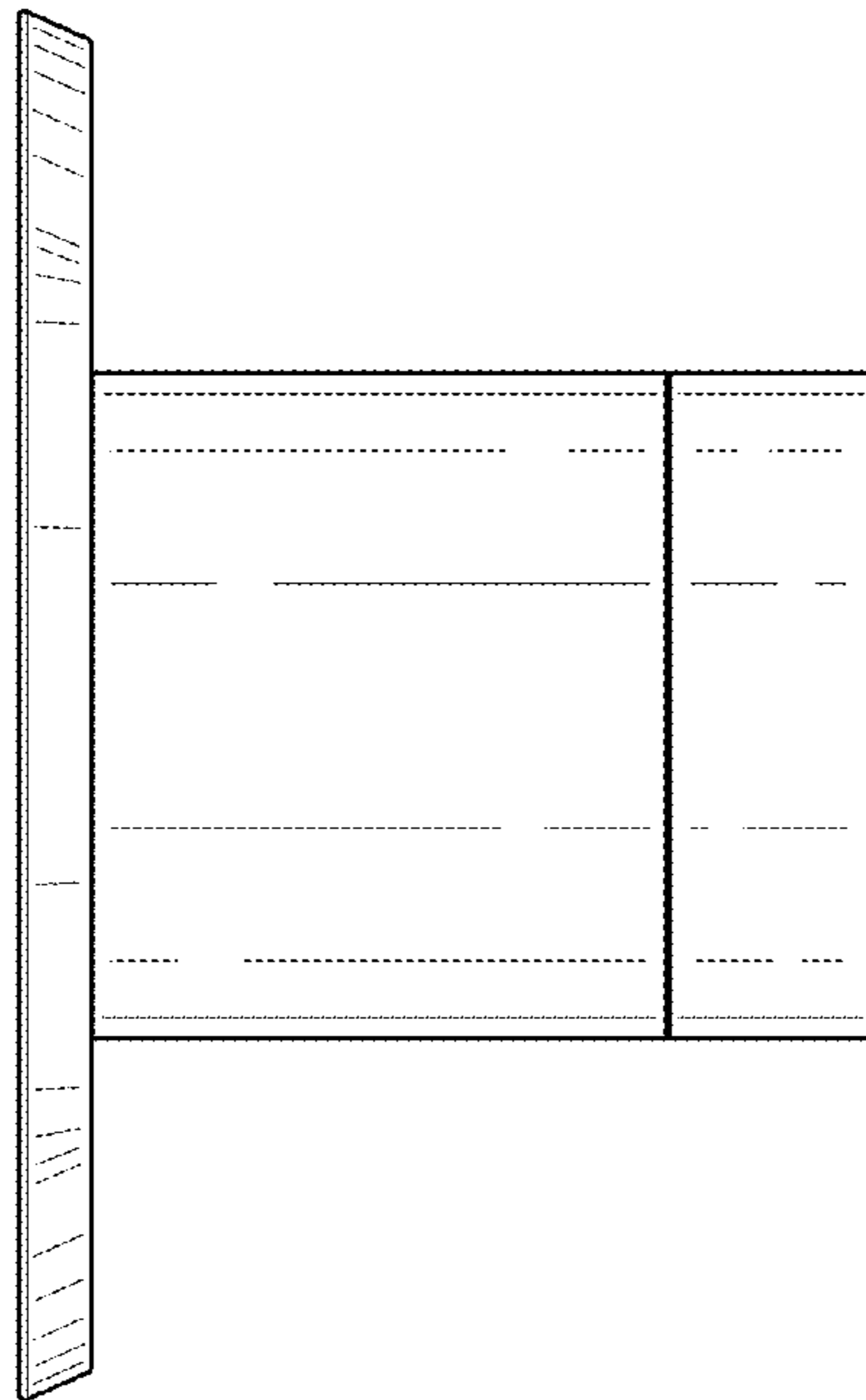


FIG. 13



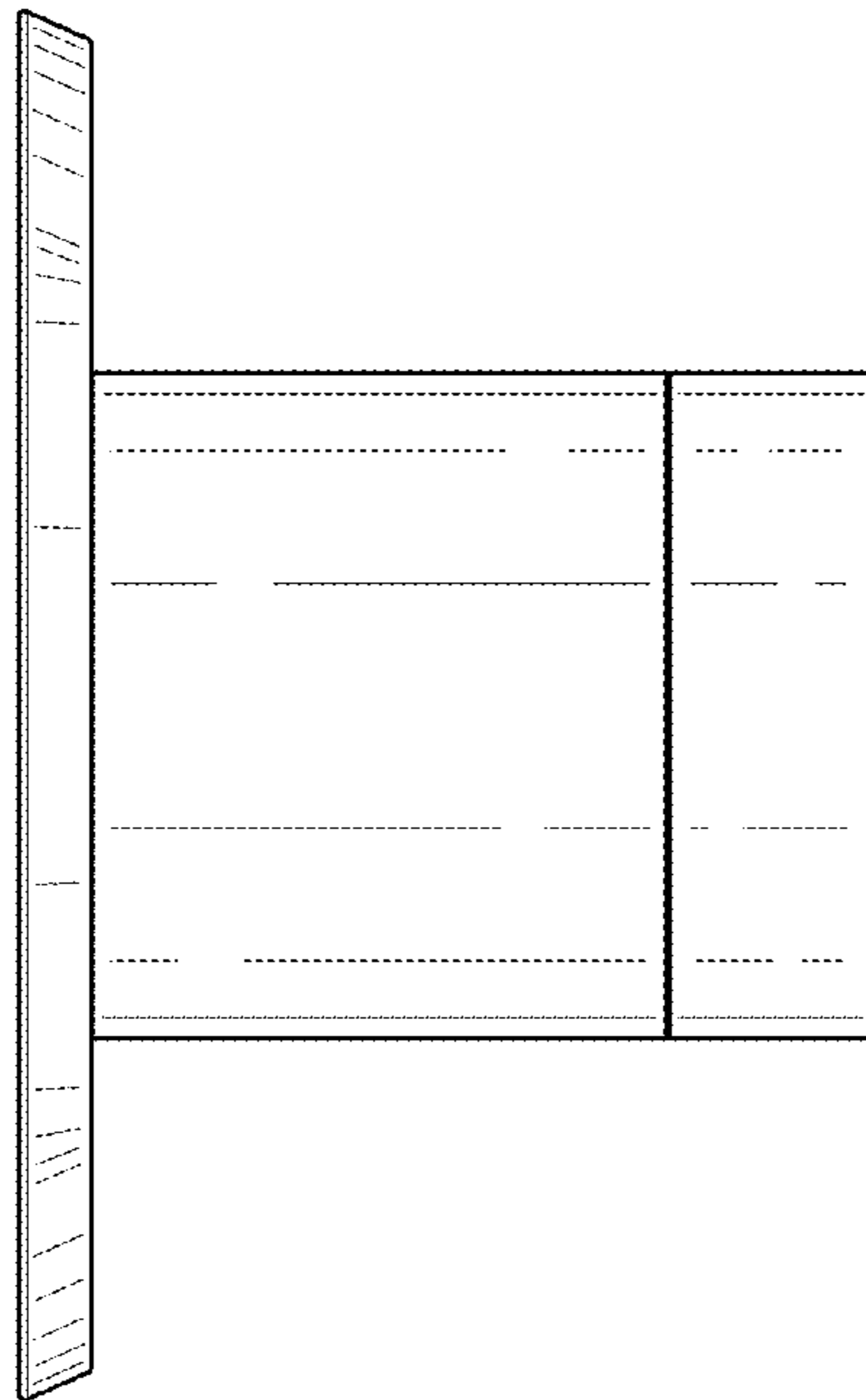


FIG. 14

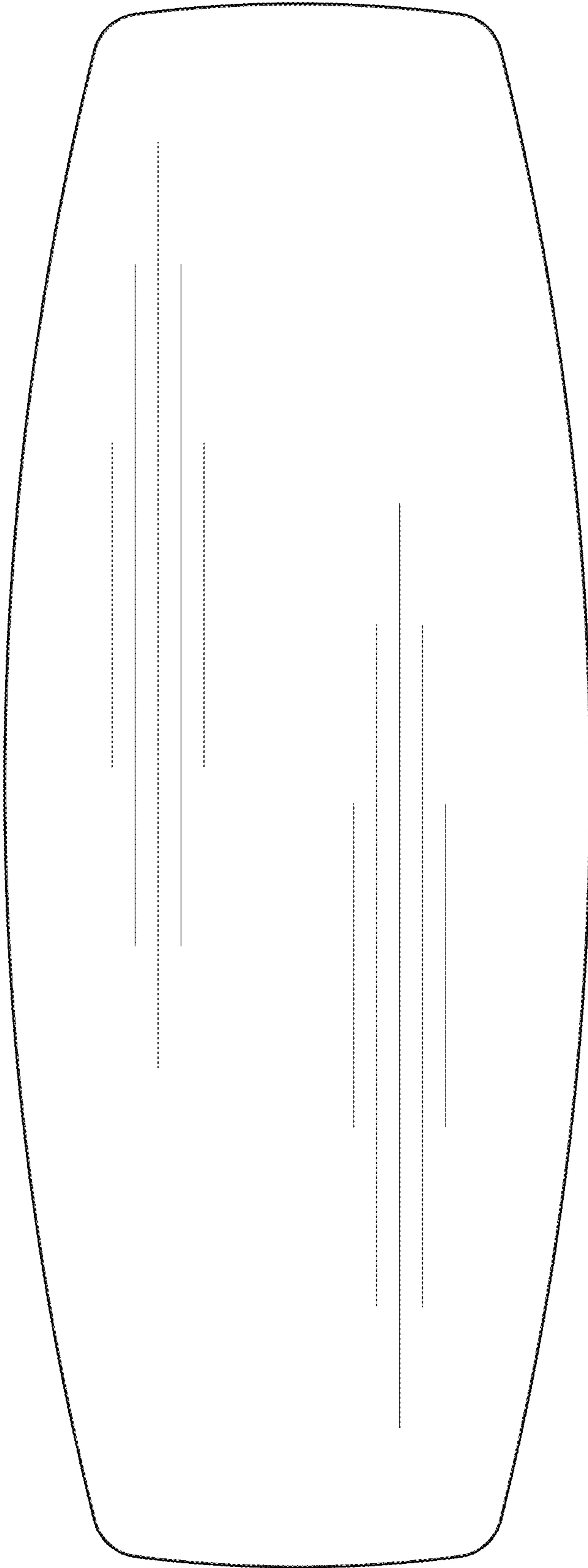


FIG. 15

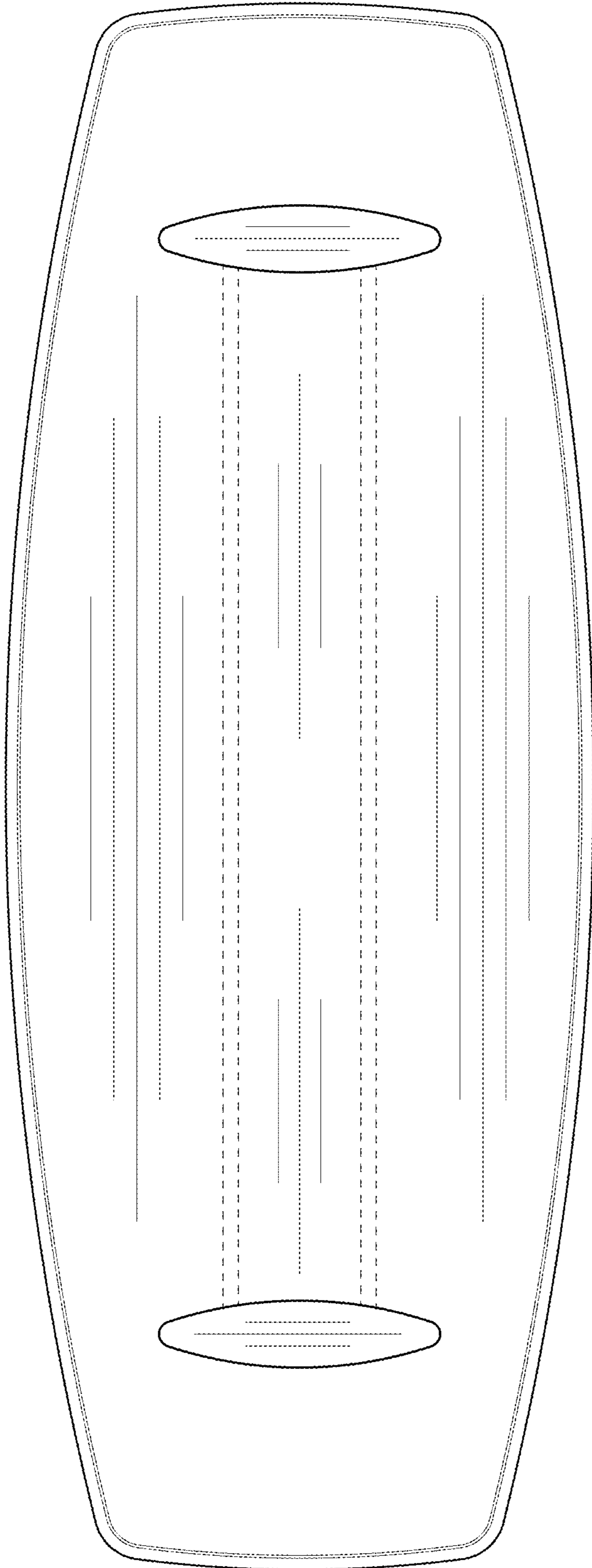


FIG. 16

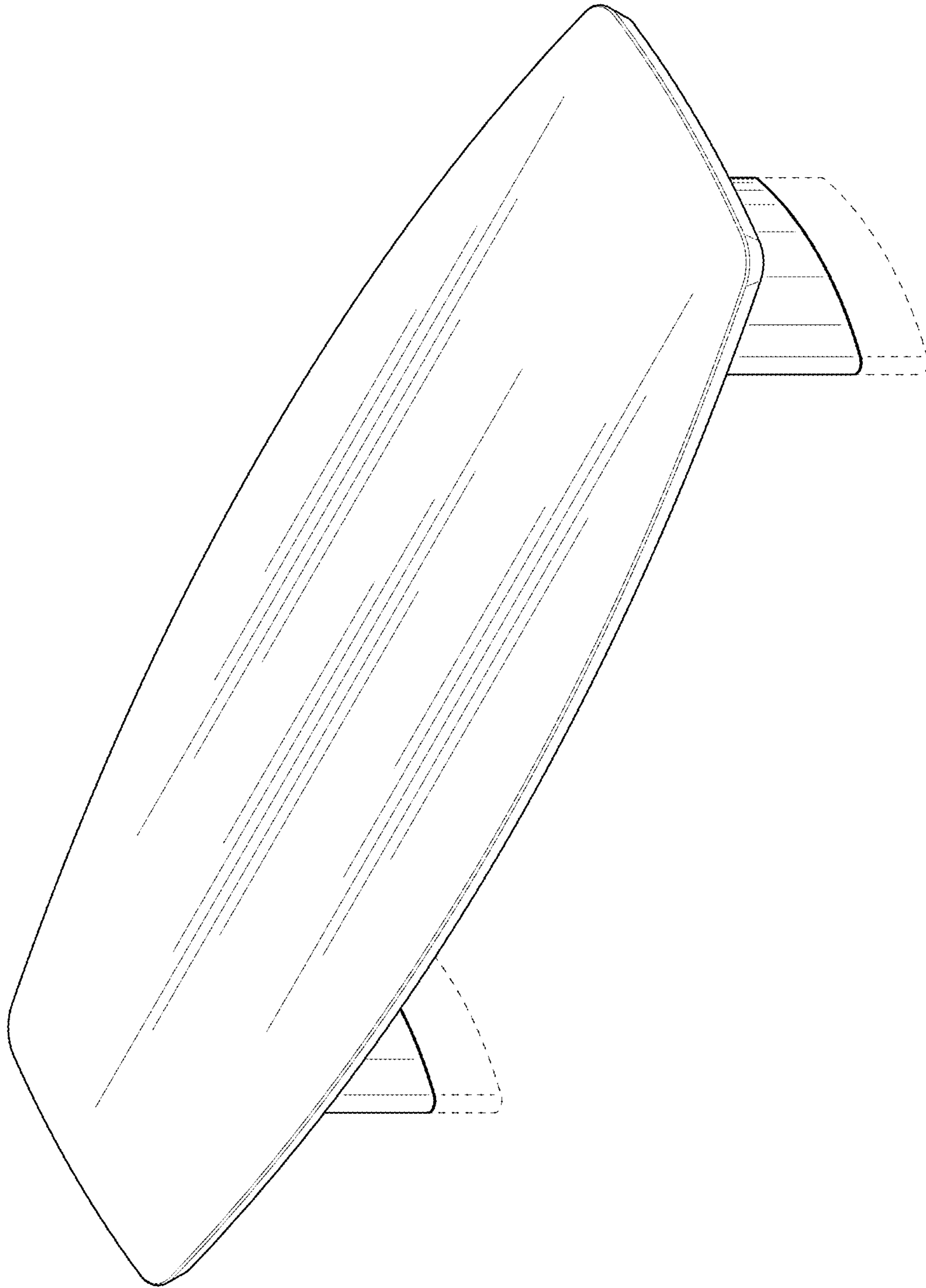


FIG. 17

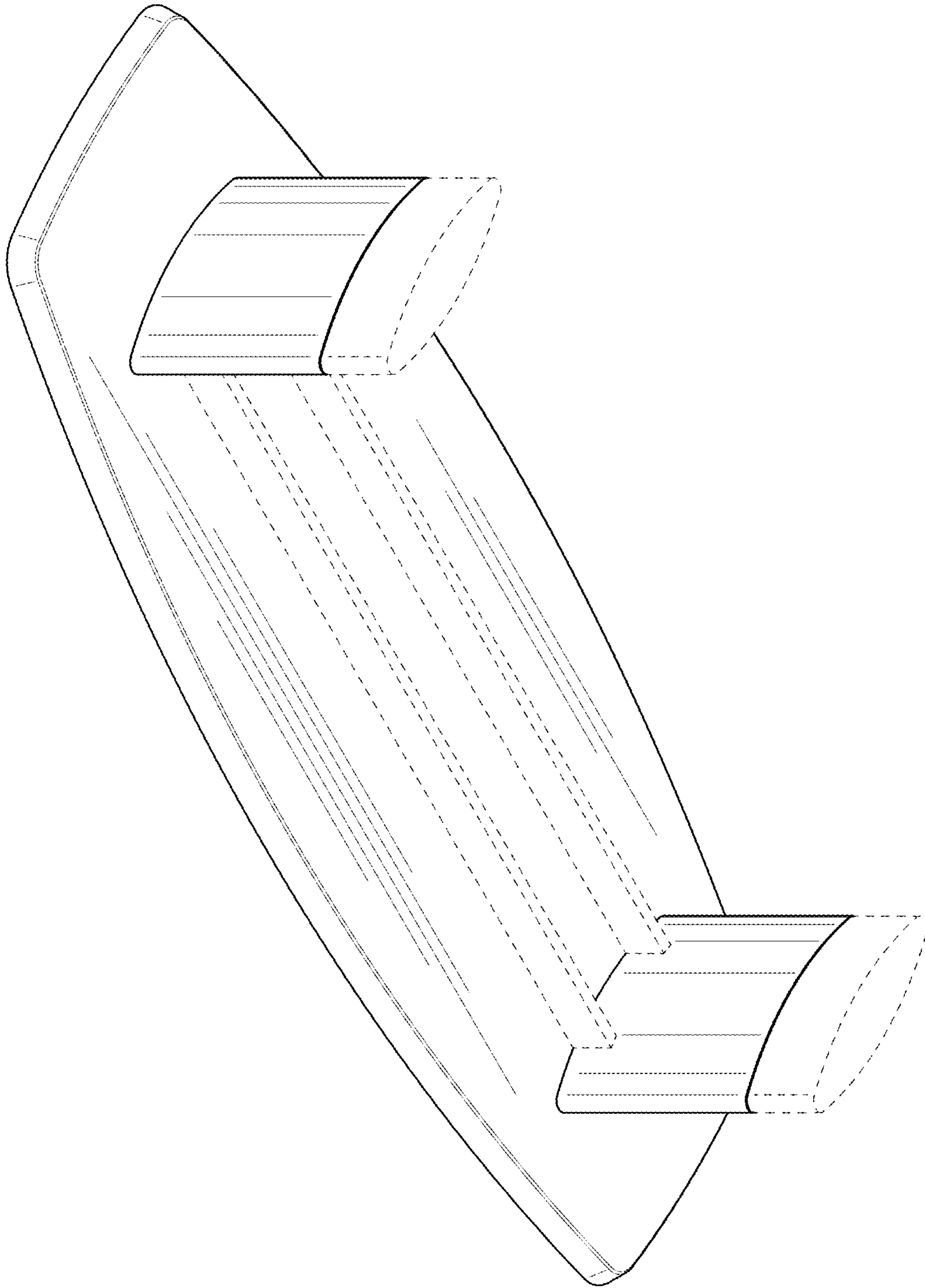


FIG. 18

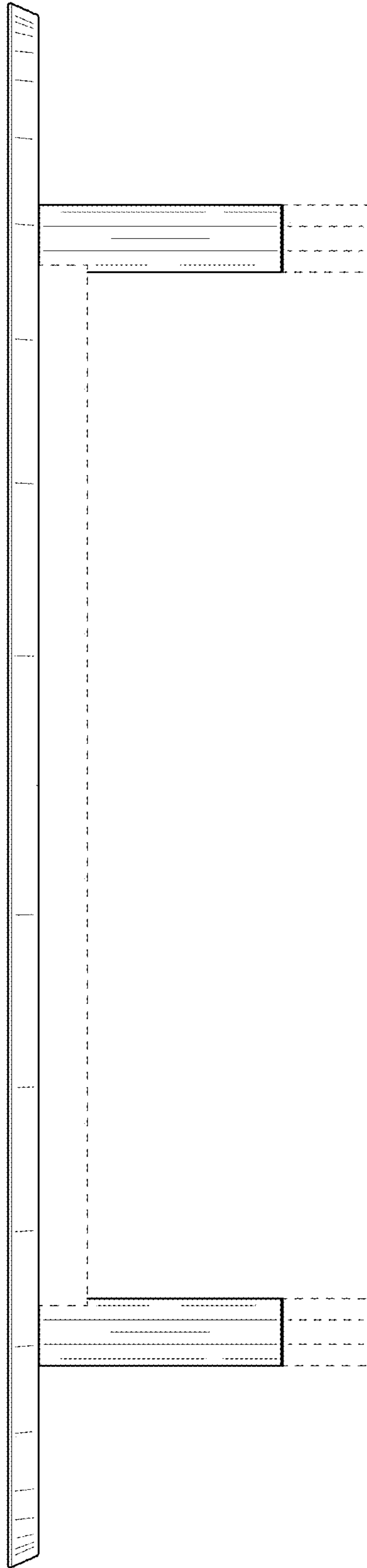


FIG. 19

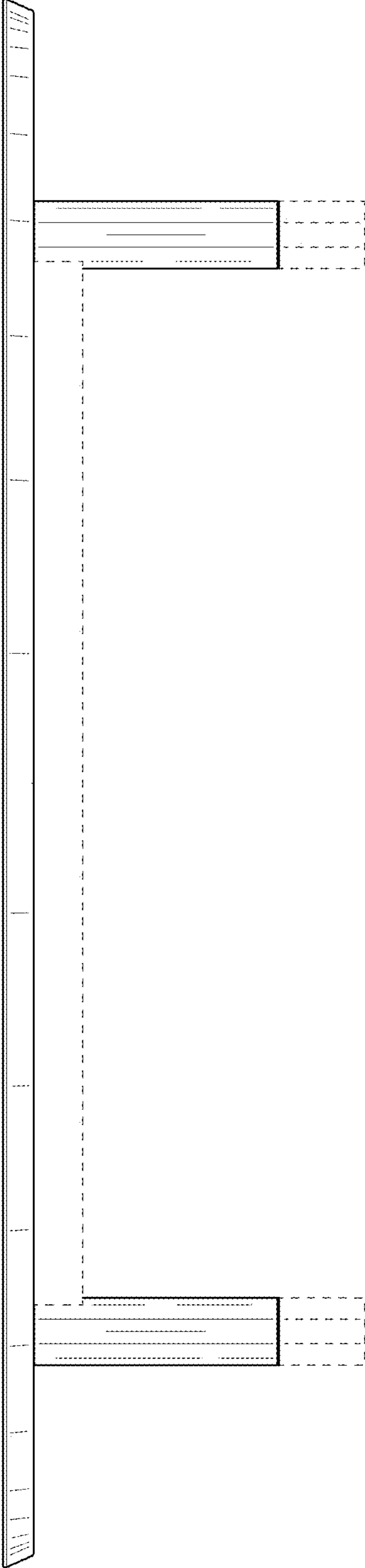


FIG. 20



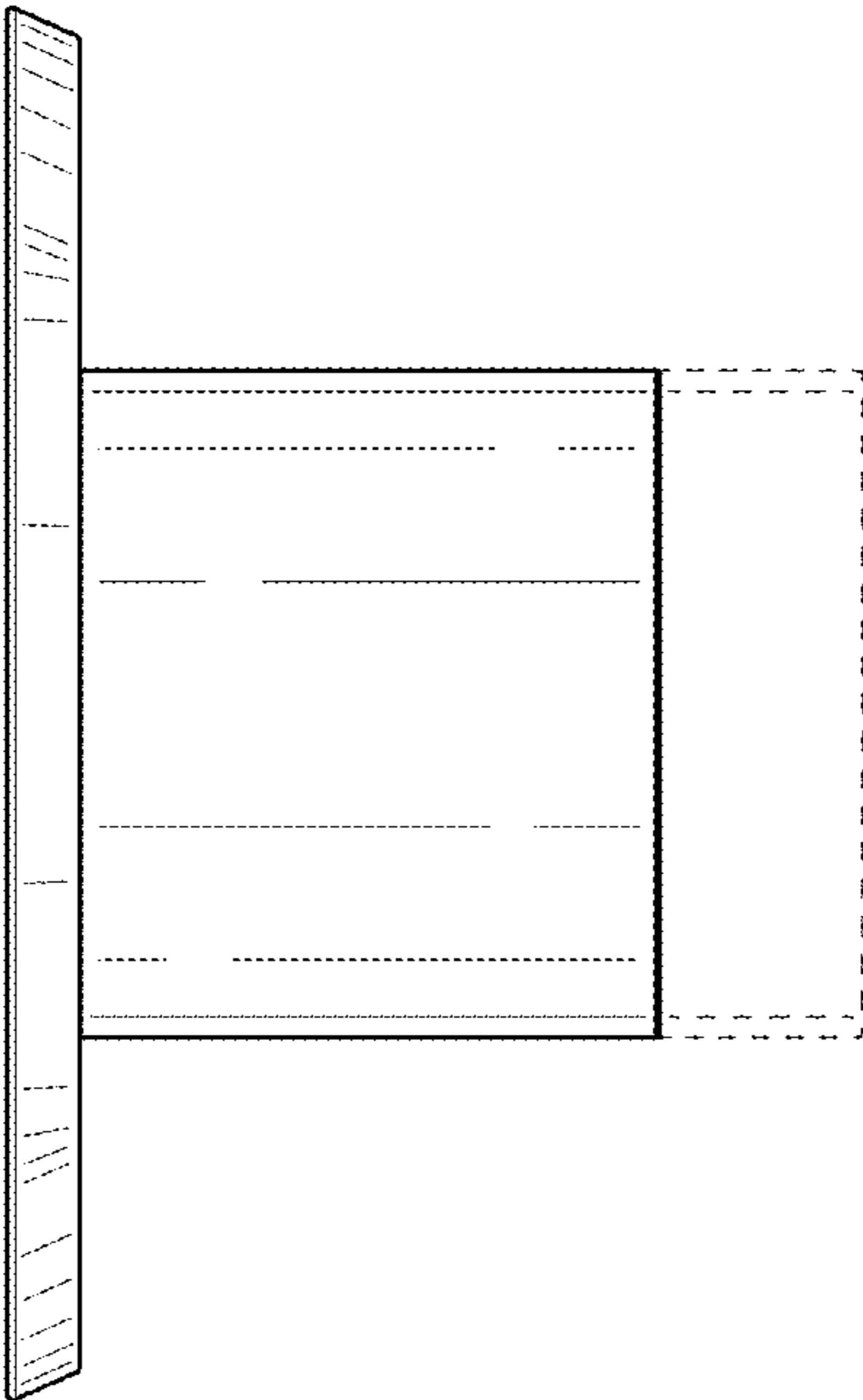


FIG. 21

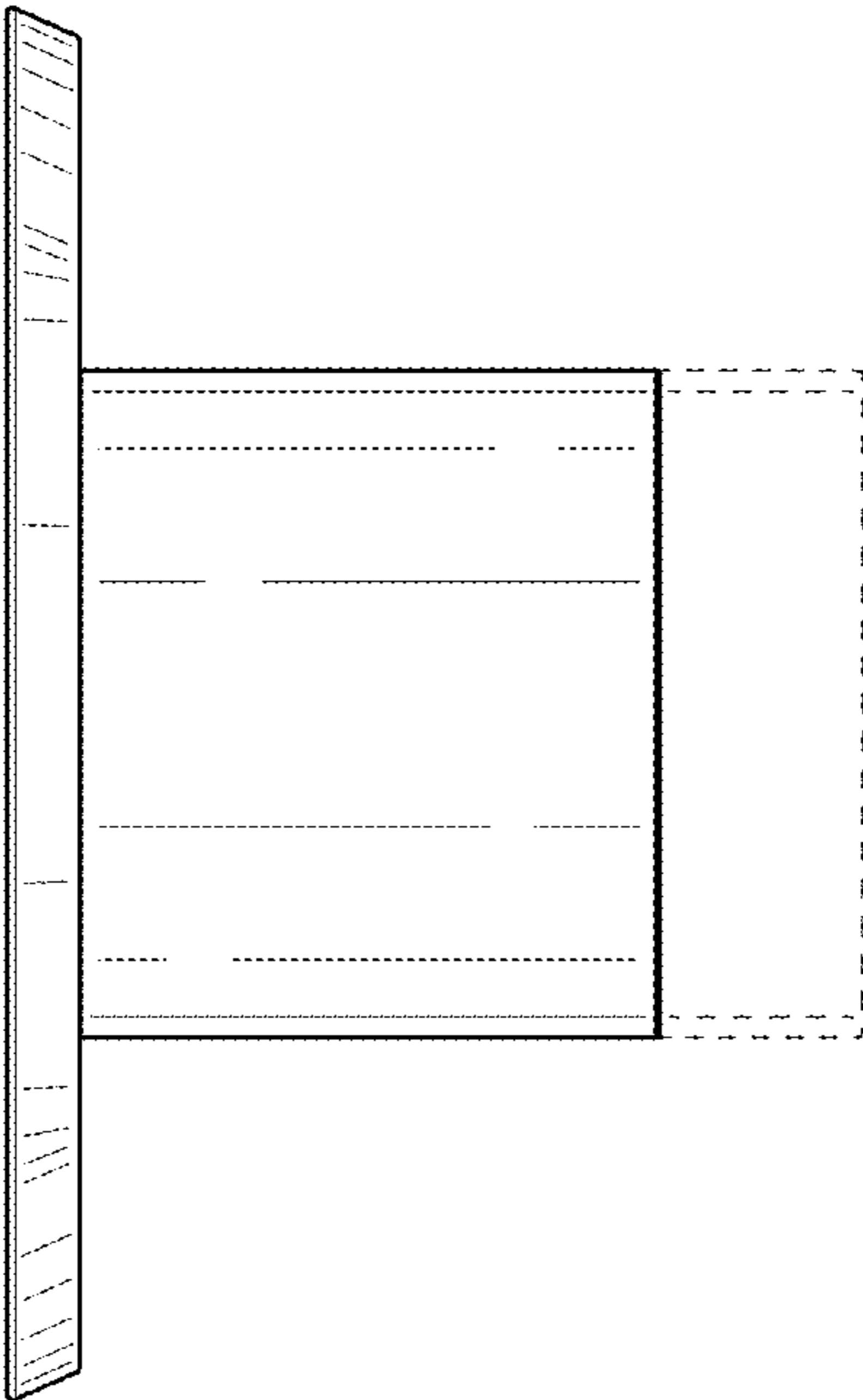


FIG. 22

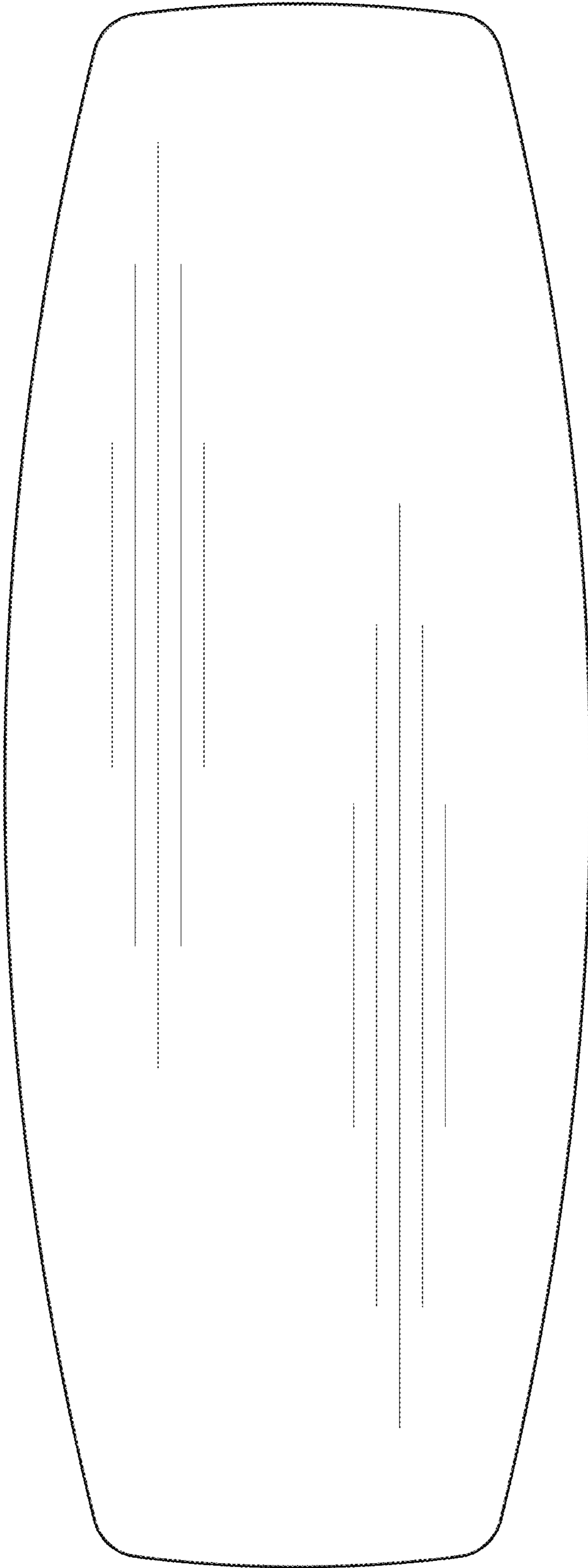


FIG. 23

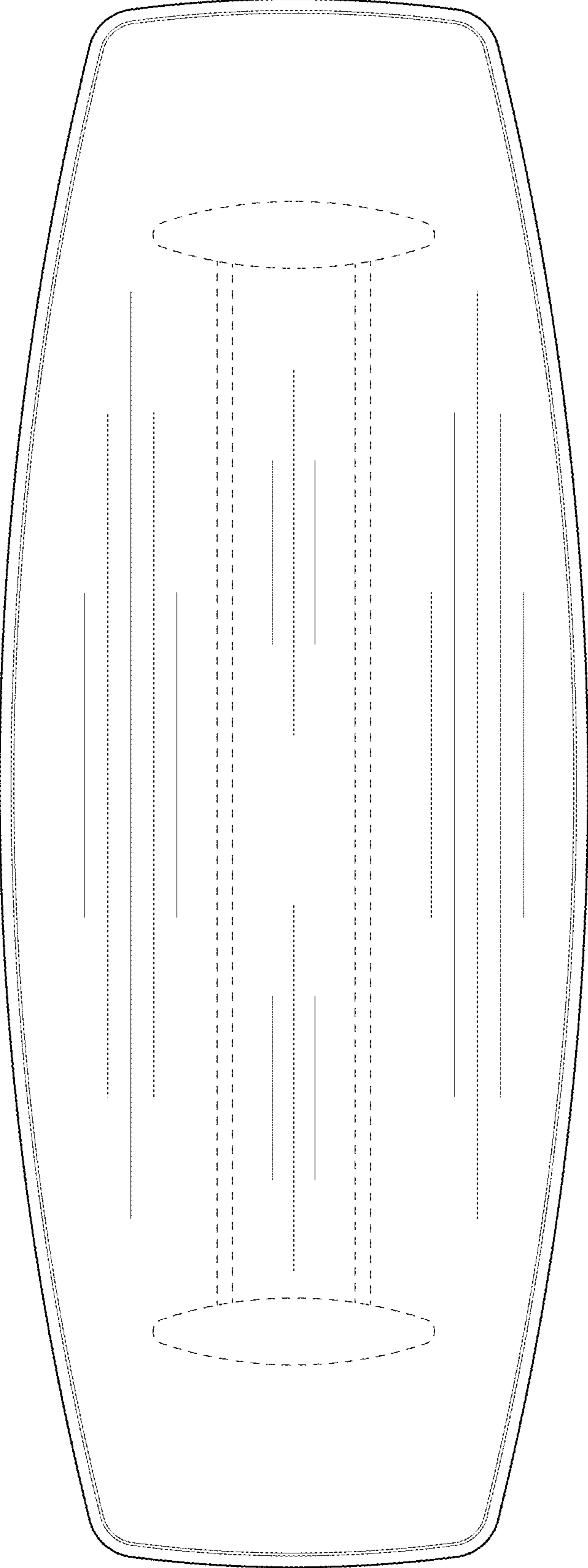


FIG. 24