



US00D948900S

(12) **United States Design Patent**
Massaud

(10) **Patent No.:** **US D948,900 S**
(45) **Date of Patent:** **** Apr. 19, 2022**

- (54) **COFFEE TABLE**
- (71) Applicant: **DEDON, GmbH**, Lüneburg (DE)
- (72) Inventor: **Jean-Marie Massaud**, Paris (FR)
- (73) Assignee: **DEDON GmbH**, Lüneburg (DE)
- (**) Term: **15 Years**
- (21) Appl. No.: **29/704,365**
- (22) Filed: **Sep. 4, 2019**
- (51) **LOC (13) Cl.** **06-03**
- (52) **U.S. Cl.**
USPC **D6/691.1**
- (58) **Field of Classification Search**
USPC D6/335, 349, 355, 684, 685, 691, 691.1
CPC A47C 11/00; A47C 7/16; A47B 13/08; A47B
2220/0055; A47B 47/0083; A47B 47/04
See application file for complete search history.

- D784,739 S * 4/2017 Kidd D6/684
- D874,840 S * 2/2020 Krouwel D6/349
- D884,400 S * 5/2020 Chen D6/705
- D887,152 S * 6/2020 Kuo D6/335
- D901,953 S * 11/2020 McQuary D6/682
- D922,112 S * 6/2021 van Thiel D6/691.1
- D922,114 S * 6/2021 van Thiel D6/691.1
- D922,115 S * 6/2021 van Thiel D6/691.1

(56) **References Cited**

U.S. PATENT DOCUMENTS

- D166,991 S * 6/1952 Owendale D6/691.1
- 3,093,096 A * 6/1963 Black A47C 7/16
297/452.1
- D213,496 S * 3/1969 Wormer D6/349
- 3,722,431 A * 3/1973 Howard A47B 3/00
108/157.13
- D229,591 S * 12/1973 Trail D6/370
- D423,239 S * 4/2000 Hornyak D6/355
- 7,252,331 B1 * 8/2007 Walton A47C 11/00
297/232
- D581,173 S * 11/2008 Skalka D6/337
- D581,188 S * 11/2008 Skalka D6/691.1
- D583,577 S * 12/2008 Wicha D6/349
- D714,561 S * 10/2014 Lange D6/349
- D743,707 S * 11/2015 Simitian D6/349

OTHER PUBLICATIONS

“YouTube—Dedon—Sealine Collection.” Found online Nov. 20, 2021 at [www.youtube.com](https://www.youtube.com/watch?v=SVH-YOIU3No). Video published Jun. 19, 2020. Retrieved from URL: <https://www.youtube.com/watch?v=SVH-YOIU3No> (Year: 2020).*

“Extra Large Charlotte Perriand Slat Bench or Coffee Table.” Found online Nov. 20, 2021 at www.1stdibs.com. Data of manufacture circa 1950s. Retrieved from URL: https://www.1stdibs.com/furniture/seating/benches/extra-large-charlotte-perriand-slat-bench-coffee-table-1950s/id-f_8232923/ (Year: 1959).*

(Continued)

Primary Examiner — Mary Ann Calabrese
Assistant Examiner — Katelin G Kloberg
(74) *Attorney, Agent, or Firm* — MacCord Mason PLLC

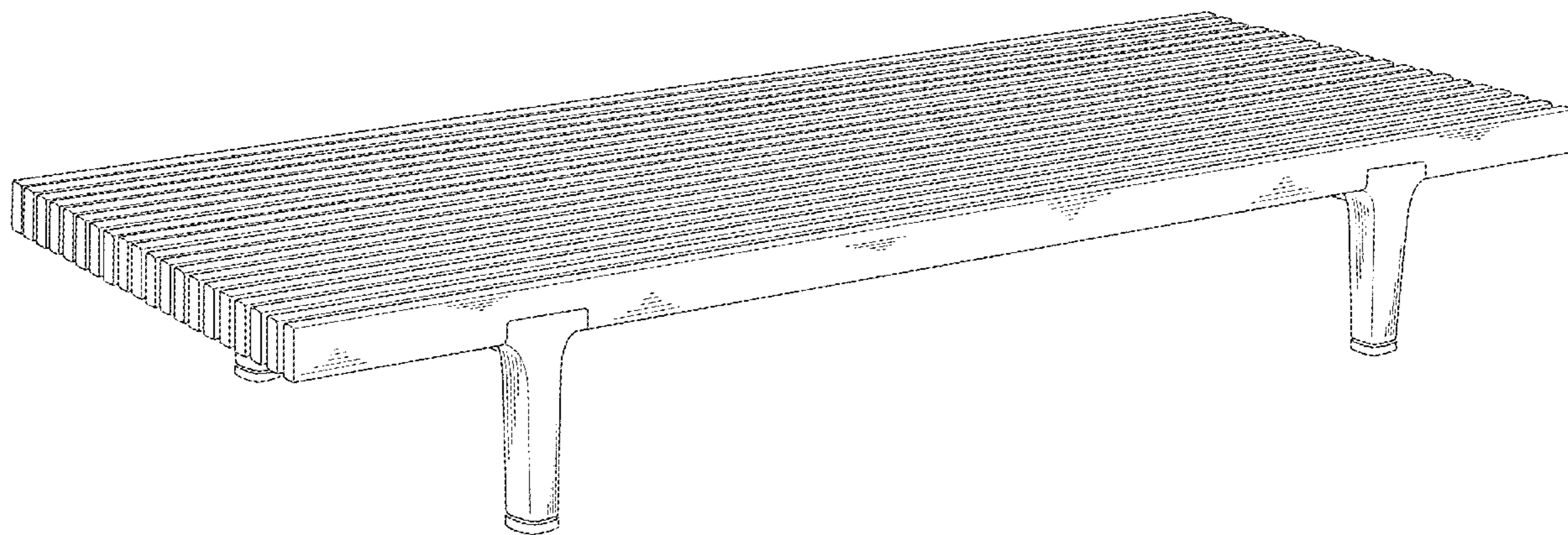
(57) **CLAIM**

The ornamental design for a coffee table, as shown and described.

DESCRIPTION

FIG. 1 is a front perspective view of a coffee table showing my new design;
FIG. 2 is a front elevation view thereof;
FIG. 3 is a left side elevation view, the opposite side being a mirror image thereof;
FIG. 4 is a rear elevation view thereof; and,
FIG. 5 is a top plan view thereof.

1 Claim, 5 Drawing Sheets



(56)

References Cited

OTHER PUBLICATIONS

“Mid Century Modern Wood Slat Coffee Table Low Bench by XcapeVintage.” Found online Nov. 19, 2021 at www.attic.city. Page dated Nov. 10, 2019. Retrieved from URL: <https://attic.city/item/xFc/mid-century-modern-wood-slat-coffee-table-low-bench-by-xcapevintage/xcape> (Year: 2019).*

“The Ban Coffee Table.” Found online Nov. 20, 2021 at www.twitter.com. Postdated Jan. 18, 2020. Retrieved from URL: <https://twitter.com/EQ3/status/1218597934562009090> (Year: 2020).*

“Mid-Century Modern Slat Bench Coffee Table.” Found online Nov. 20, 2021 at www.1stdibs.com. Date of manufacture circa 1970s. Retrieved from URL: https://www.1stdibs.com/furniture/tables/coffee-tables-cocktail-tables/mid-century-modern-slat-bench-coffee-table/id-f_8042333/ (Year: 1979).*

“Reserved 36-inch Slat Bench.” Found online Nov. 20, 2021 at www.etsy.com. Product listed Jul. 31, 2017. Retrieved from URL: https://www.etsy.com/listing/545960891/reserved-36-slat-bench-mid-century?show_sold_out_detail=1&ref=nla_listing_details (Year: 2017).*

* cited by examiner

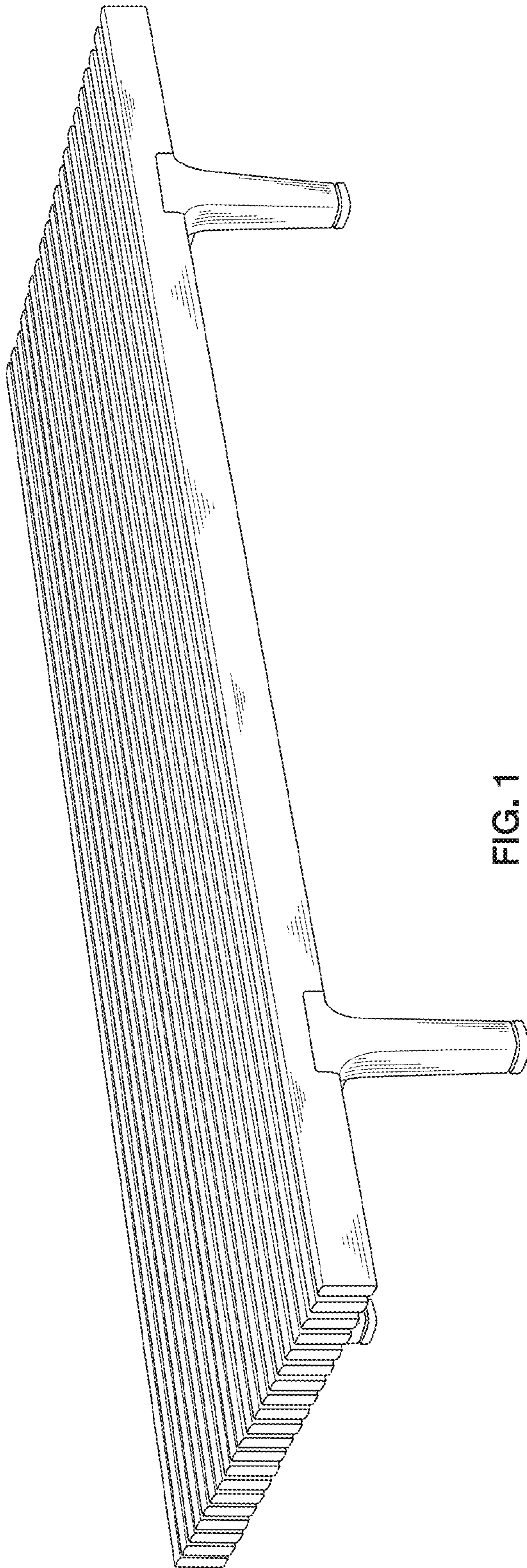


FIG. 1

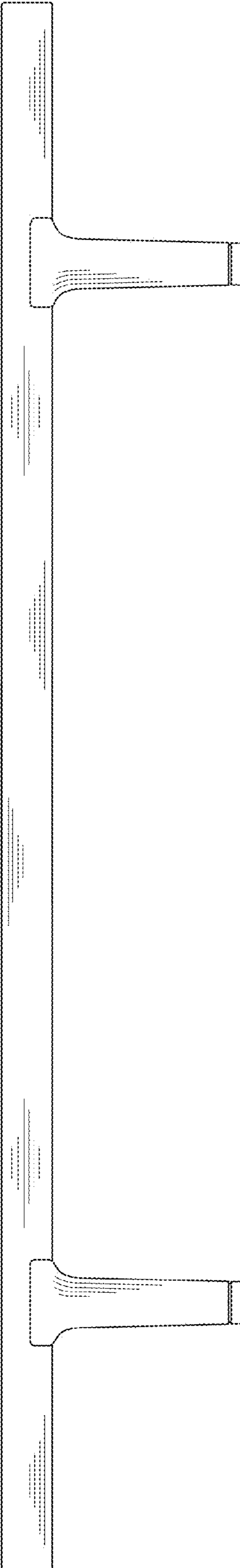


FIG. 2

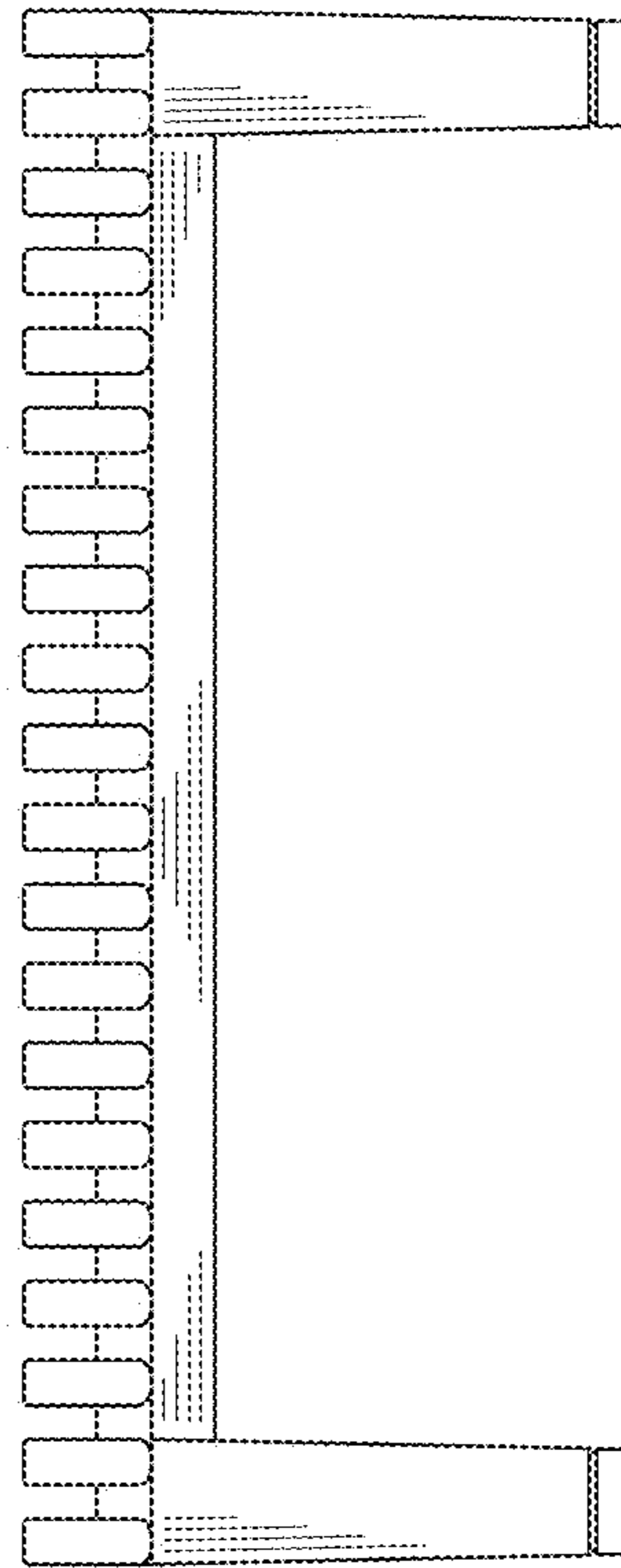


FIG. 3

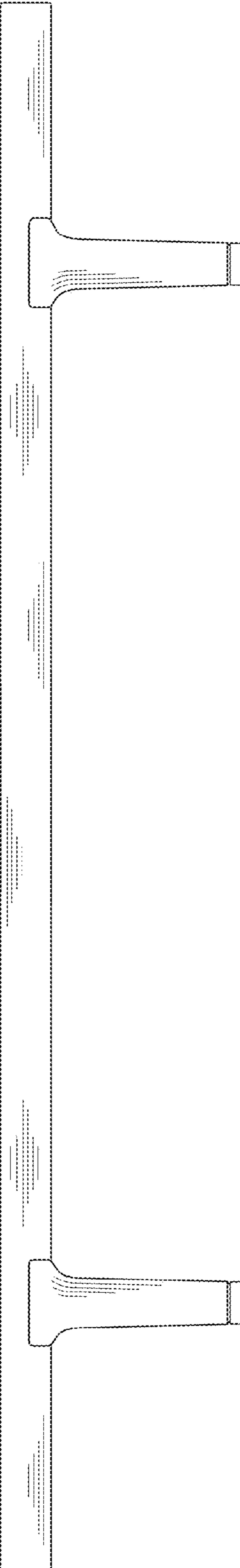


FIG. 4

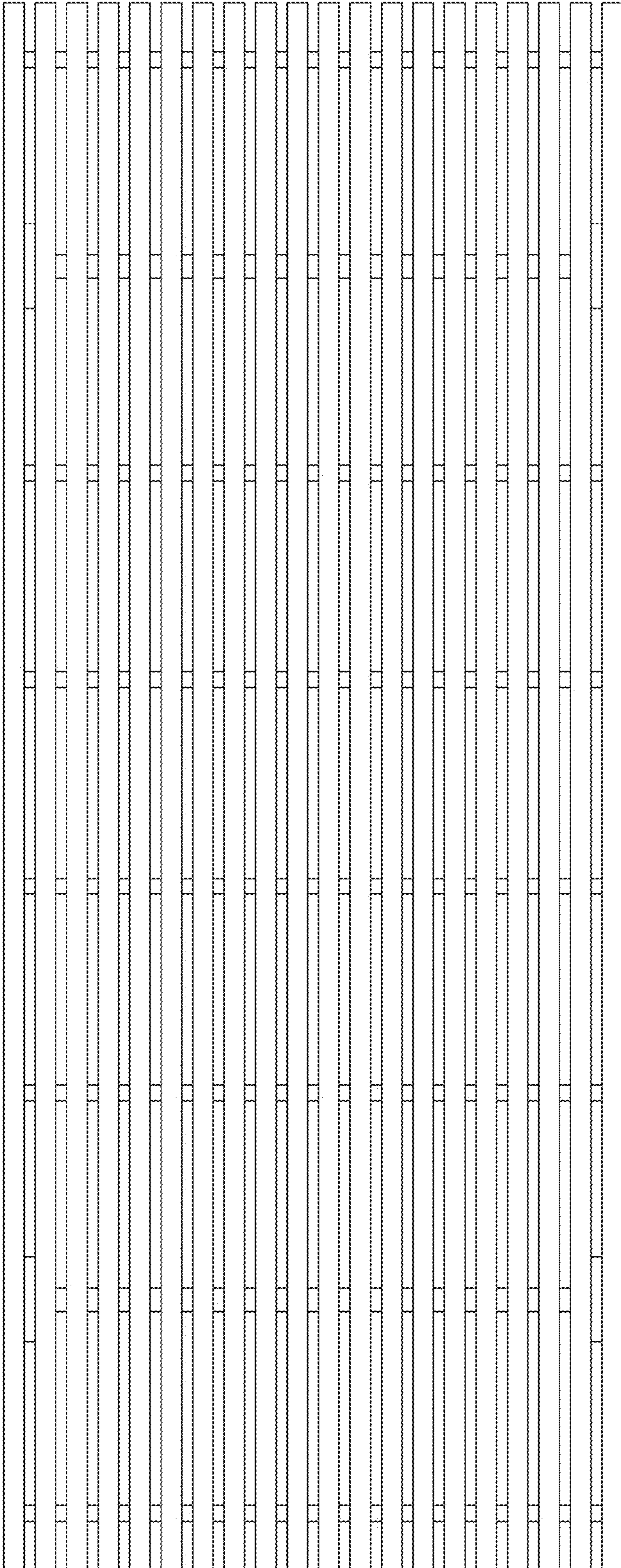


FIG. 5