



US00D948897S

(12) **United States Design Patent**
Cao

(10) **Patent No.:** **US D948,897 S**

(45) **Date of Patent:** **** Apr. 19, 2022**

(54) **COLLAPSIBLE CRATE**

(71) Applicant: **Suzhou Wellhong Electrical Co., Ltd,**
Jiangsu (CN)

(72) Inventor: **Qi Cao, Zhejiang (CN)**

(73) Assignee: **Suzhou Wellhong Electrical Co., Ltd,**
Suzhou (CN)

(**) Term: **15 Years**

(21) Appl. No.: **29/783,374**

(22) Filed: **May 12, 2021**

(51) **LOC (13) Cl.** **06-04**

(52) **U.S. Cl.**
USPC **D6/667**

(58) **Field of Classification Search**
USPC D6/335, 336, 349, 663, 664, 667, 668,
D6/668.1, 668.2, 669; D3/272, 273, 294
CPC A47B 17/04; A47B 47/03; A47B 47/04;
A47B 63/00; A47B 67/00; A47B 47/042;
A47B 47/05; A47B 85/00; B25H 1/12
See application file for complete search history.

(56) **References Cited**

U.S. PATENT DOCUMENTS

D131,473 S * 3/1942 Thelander D6/336
D335,773 S * 5/1993 Douglas D6/335
D367,958 S * 3/1996 Tisbo D3/273

D381,223 S * 7/1997 Brunner D6/664
D419,767 S * 2/2000 Richardson D3/273
D578,758 S * 10/2008 Stevens D3/294
D628,800 S 12/2010 Rees
D730,088 S * 5/2015 Brunner D6/663
D847,509 S 5/2019 Quinn
D914,378 S * 3/2021 Simonetti D6/336
D914,403 S * 3/2021 Xiao D6/667
D914,404 S * 3/2021 Xiao D6/667

* cited by examiner

Primary Examiner — Mimoso De

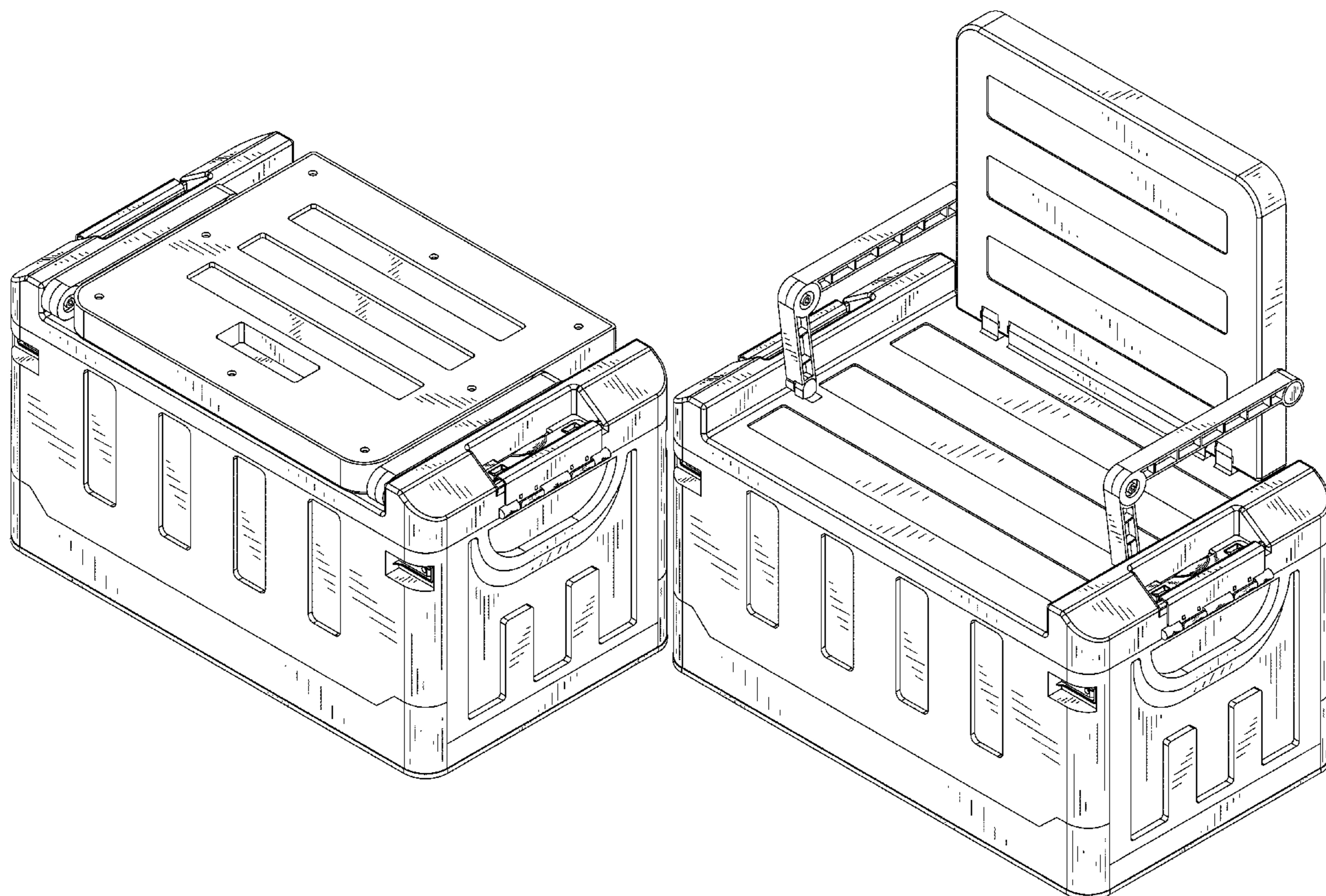
(57) **CLAIM**

The ornamental design for a collapsible crate, as shown and described.

DESCRIPTION

FIG. 1 is a perspective view of a collapsible crate showing my new design;
FIG. 2 is an alternative perspective view of inner structure of a collapsible crate;
FIG. 3 is another perspective view thereof;
FIG. 4 is a front view thereof;
FIG. 5 is a back view thereof;
FIG. 6 is a left side view thereof;
FIG. 7 is a right side view thereof;
FIG. 8 is a top view thereof; and,
FIG. 9 is a bottom view thereof.
The broken lines in the drawing depict environmental subject matter only and form no part of the claimed design.

1 Claim, 9 Drawing Sheets



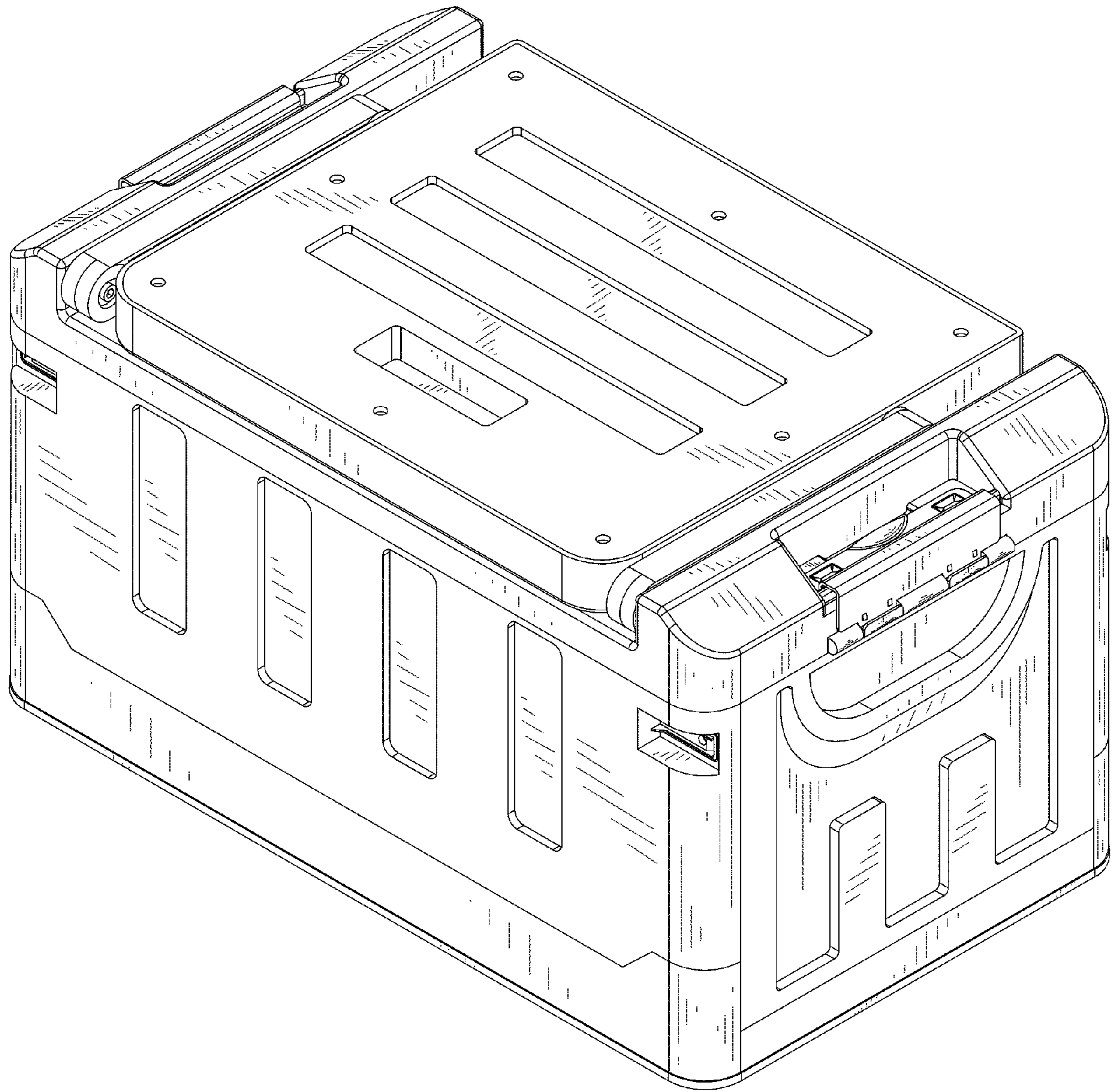


FIG.1

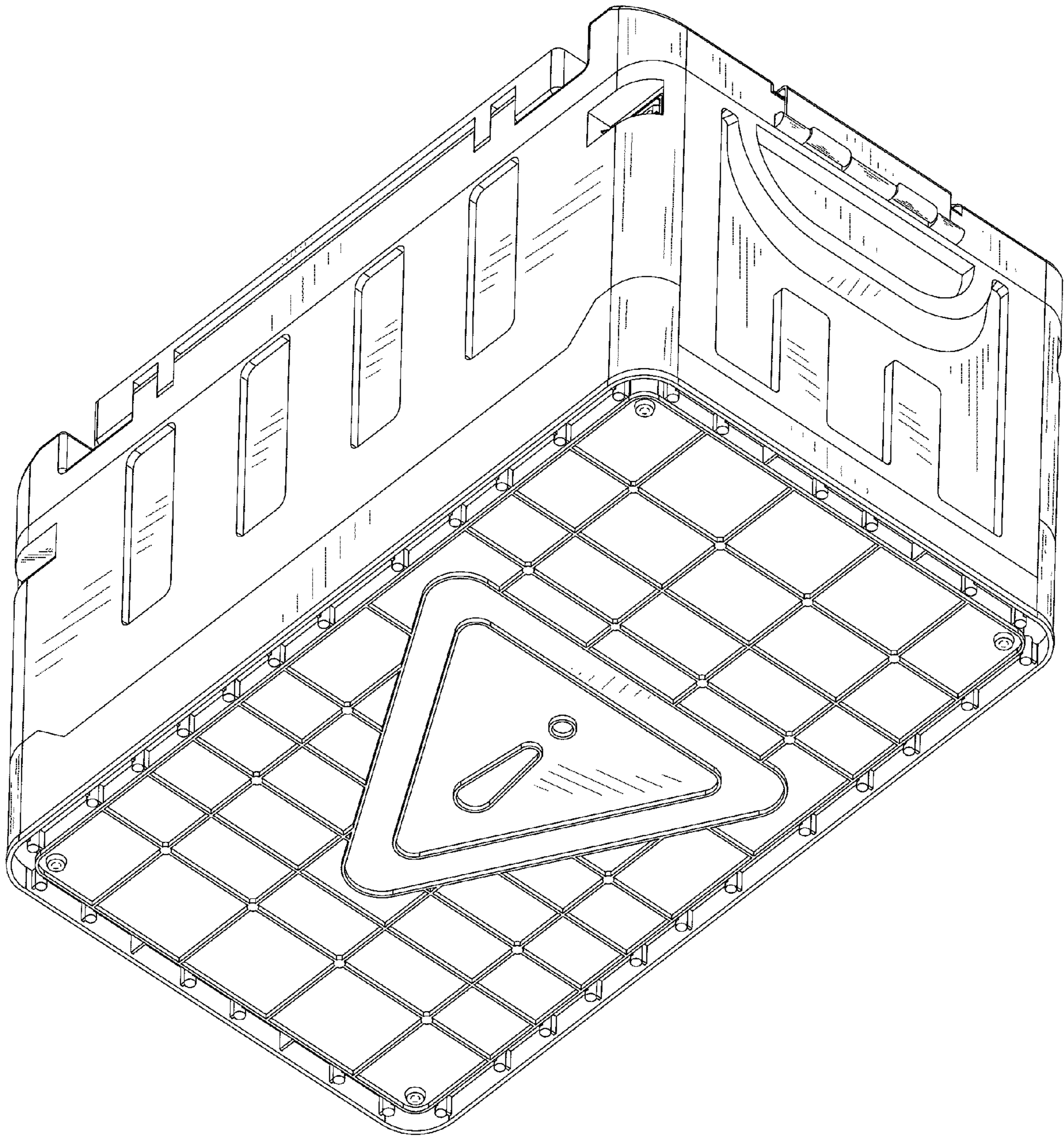


FIG.2

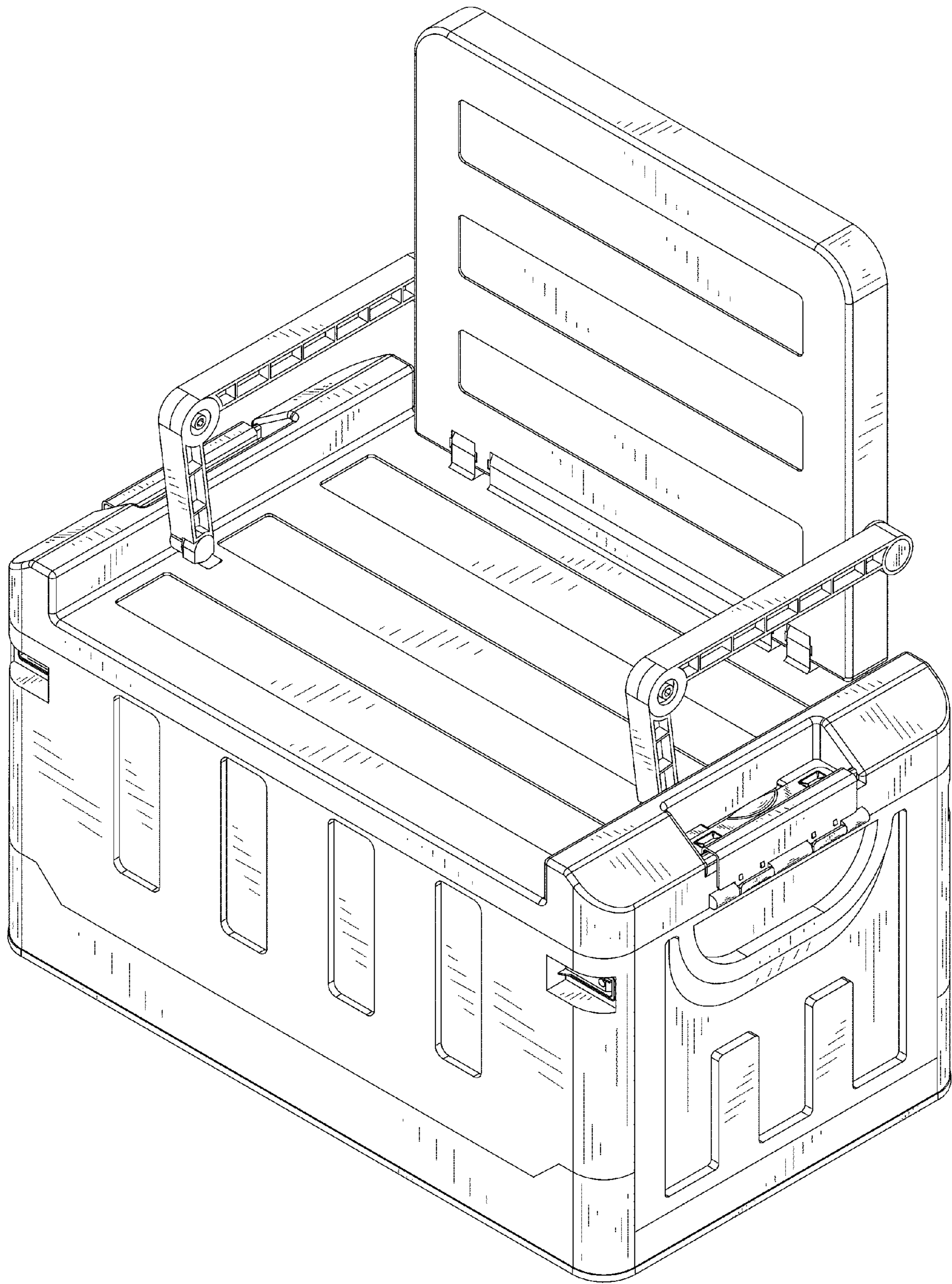


FIG. 3

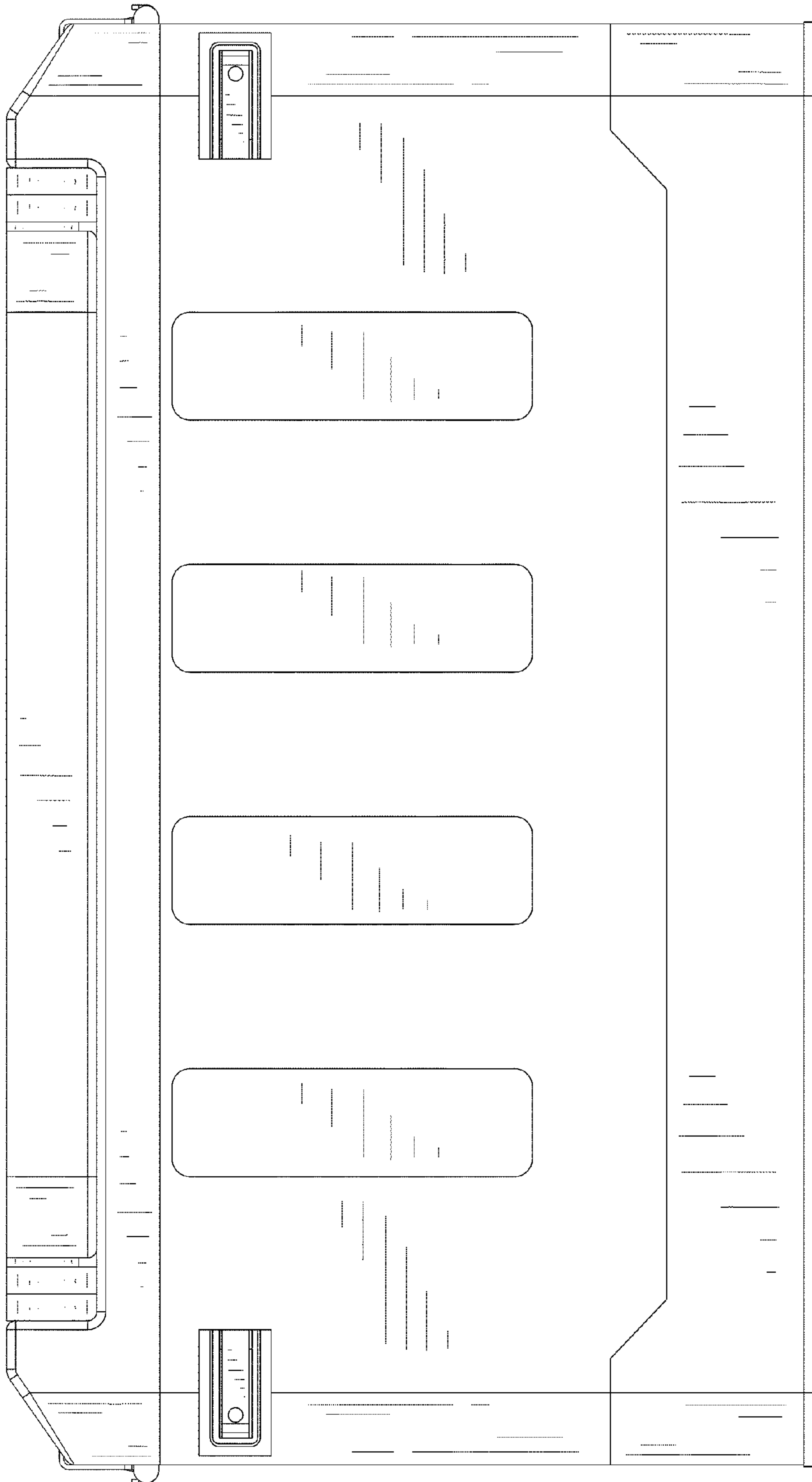


FIG. 4

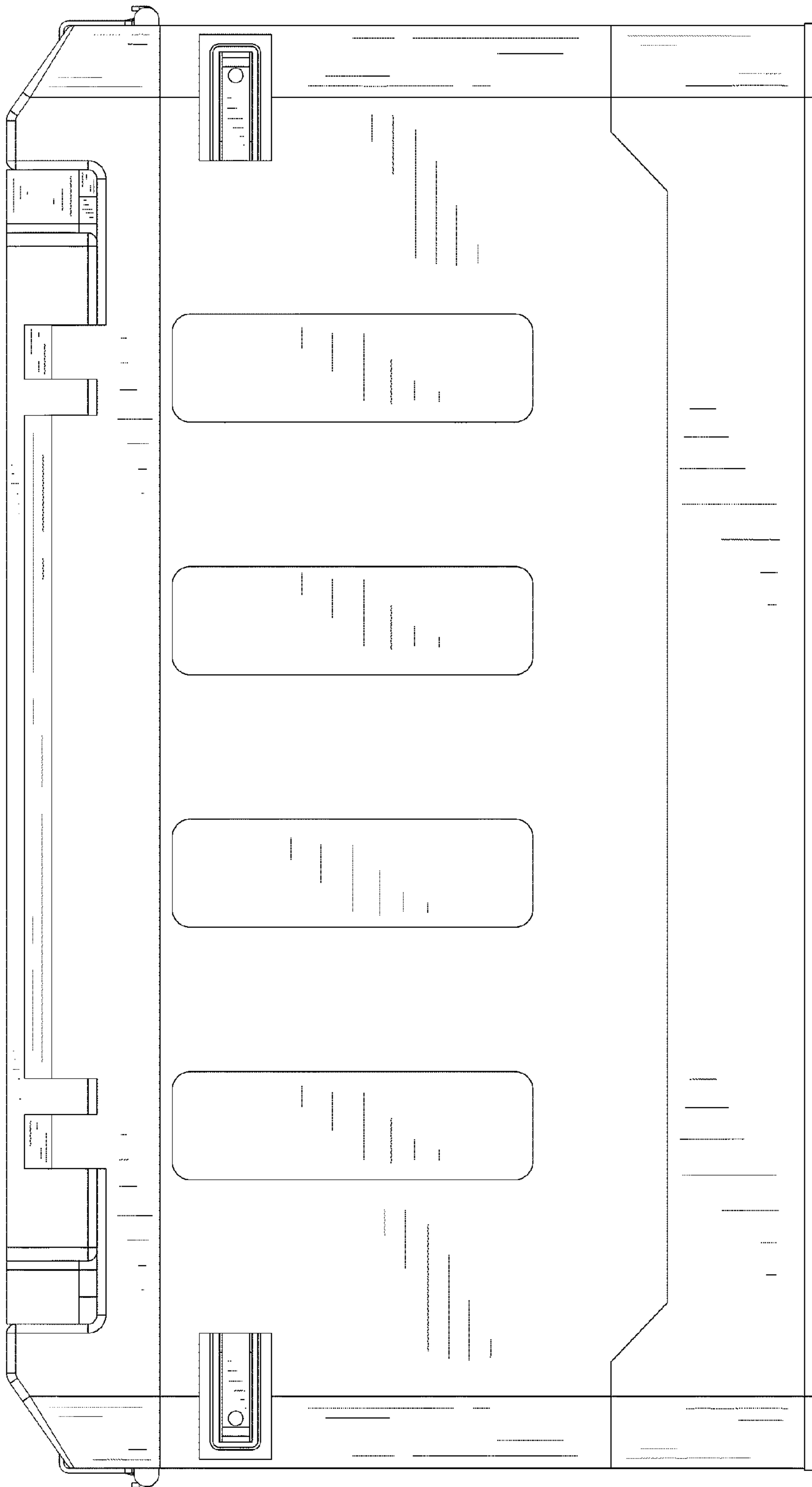


FIG. 5

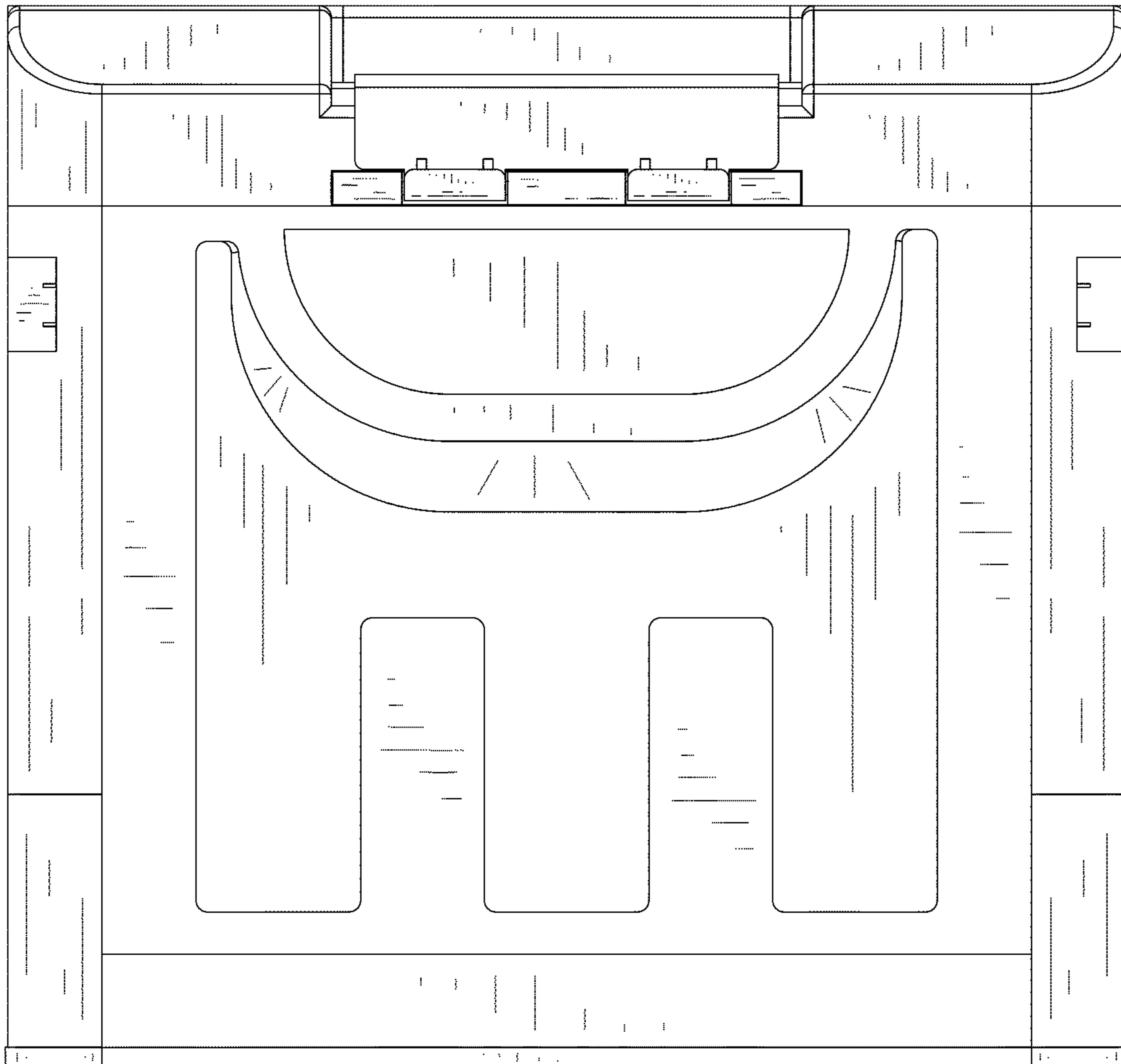


FIG. 6

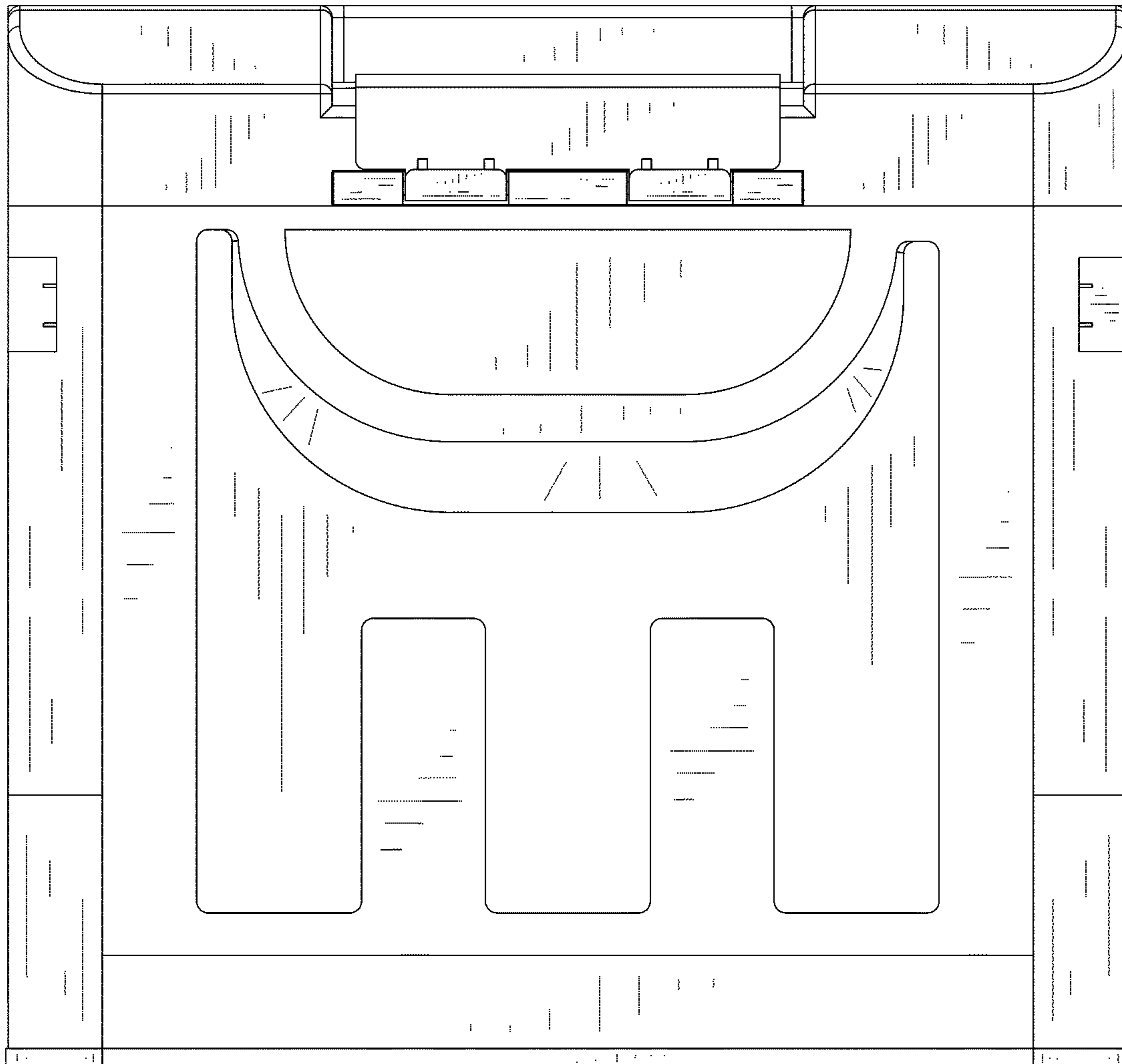


FIG. 7

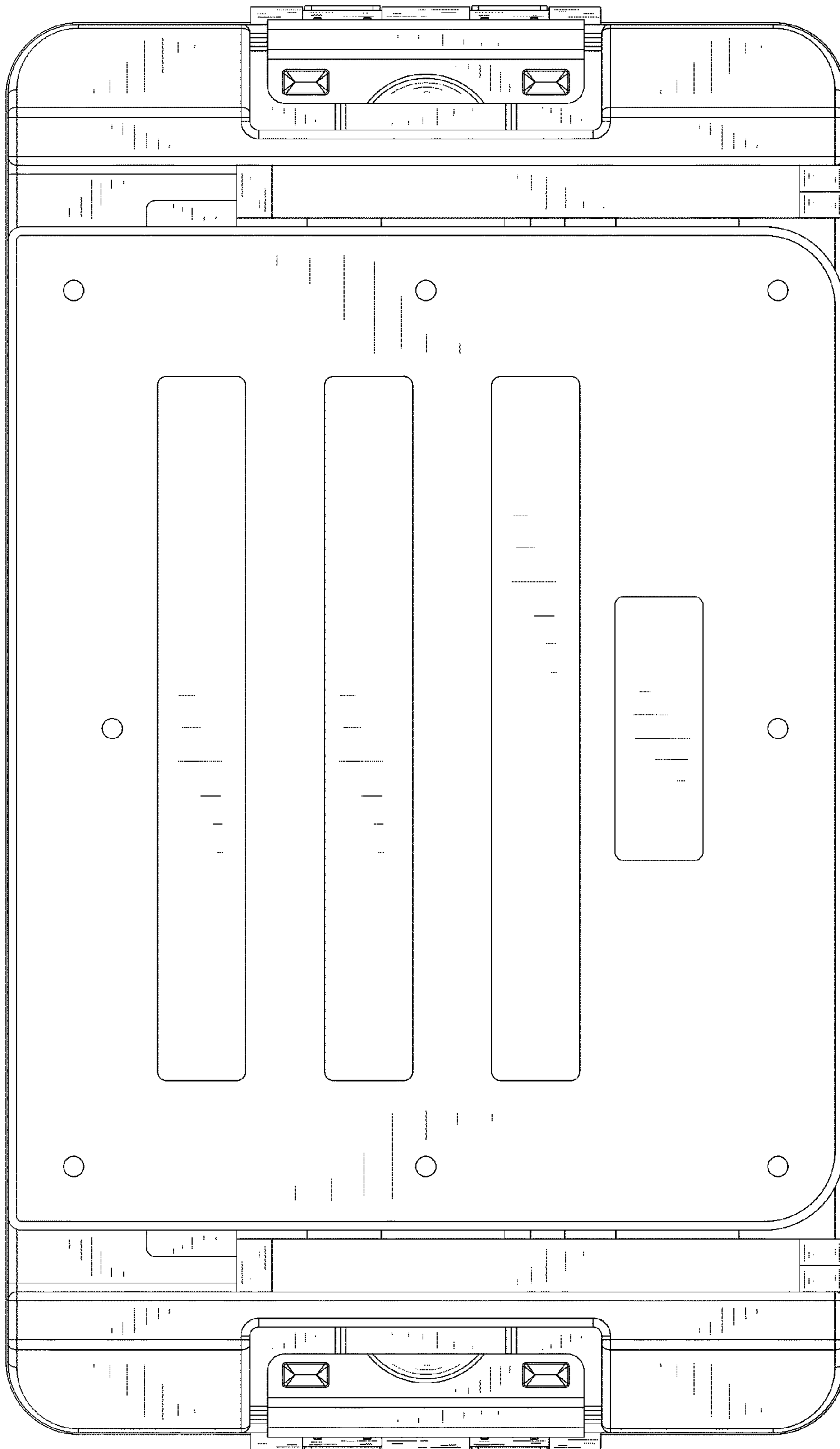


FIG. 8

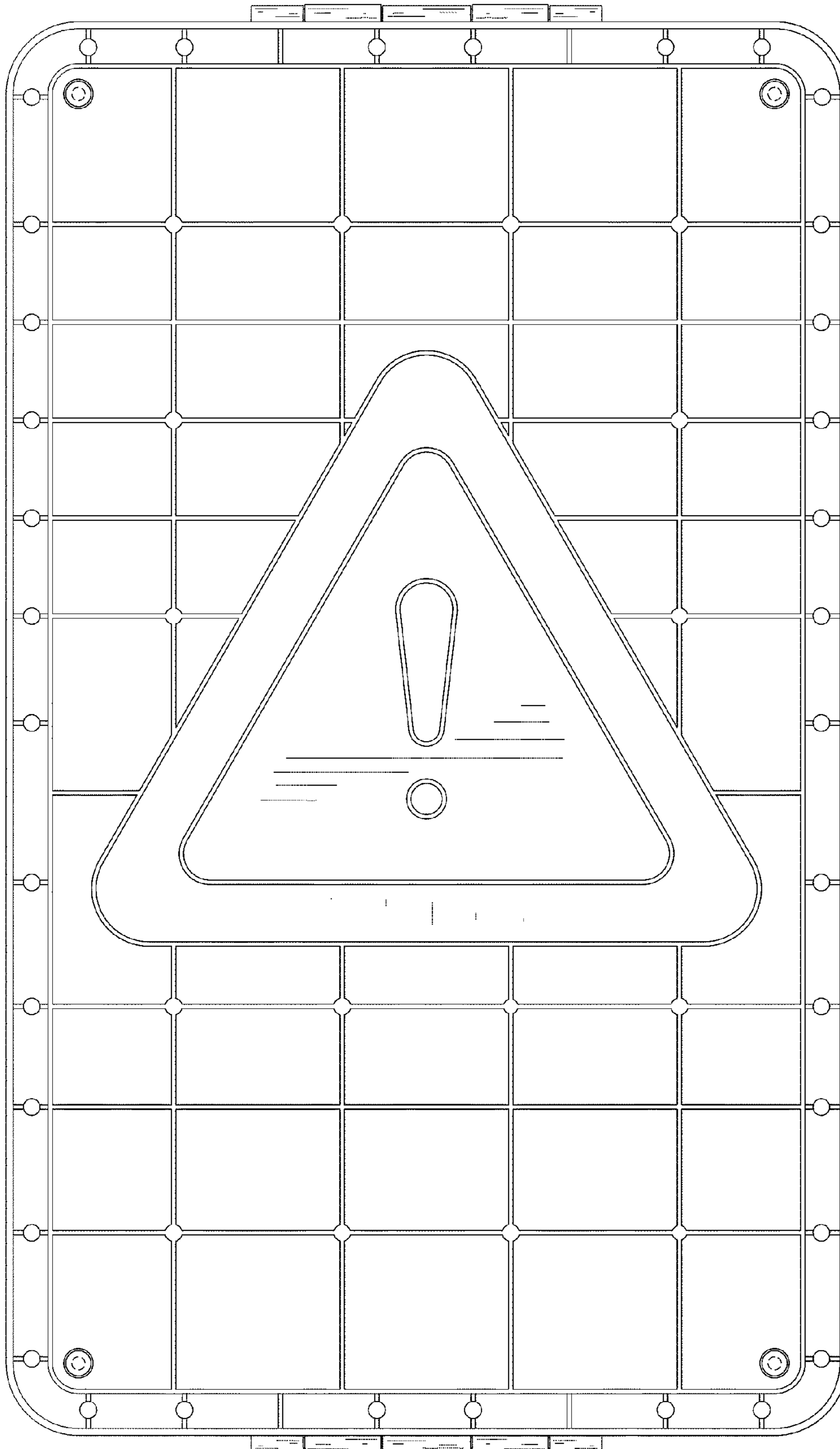


FIG. 9