



US00D948894S

(12) **United States Design Patent** (10) **Patent No.:** **US D948,894 S**
Moffett (45) **Date of Patent:** **** Apr. 19, 2022**

(54) **SITTING CUSHION HAVING A CUTOUT PORTION**

A47G 9/066; A47G 9/068; A47G 9/08;
A47G 9/0284; A47G 9/0292; A47G 9/04
See application file for complete search history.

(71) Applicant: **Linda Moffett**, Spearfish, SD (US)

(56) **References Cited**

(72) Inventor: **Linda Moffett**, Spearfish, SD (US)

U.S. PATENT DOCUMENTS

(**) Term: **15 Years**

2,295,906	A *	9/1942	Lacour	A47G 9/10 5/636
2,835,905	A *	5/1958	Tomasson	A47G 9/10 5/632
3,009,172	A *	11/1961	Eidam	A47G 9/10 5/632
3,757,364	A *	9/1973	Downing	A47G 9/10 5/636

(21) Appl. No.: **29/753,763**

(22) Filed: **Oct. 1, 2020**

(Continued)

Related U.S. Application Data

FOREIGN PATENT DOCUMENTS

(62) Division of application No. 29/702,201, filed on Aug. 16, 2019, now Pat. No. Des. 897,734, which is a division of application No. 29/594,433, filed on Feb. 17, 2017, now Pat. No. Des. 856,706.

CN	304252009	*	8/2017
GB	6021243	*	10/2017

(51) **LOC (13) Cl.** **06-09**

Primary Examiner — Sanjeev Paul

(52) **U.S. Cl.**

(74) *Attorney, Agent, or Firm* — Harness, Dickey & Pierce, P.L.C.

USPC **D6/601**

(58) **Field of Classification Search**

(57) **CLAIM**

USPC D6/333, 349, 355, 375, 388, 512, 563, D6/564, 595, 596, 601, 604, 611, 707, D6/715, 716, 716.1; D24/183–185, 234; D21/803, 804, 805, 809; 5/401, 420, 5/600, 630, 631, 632, 633, 635, 636, 638, 5/639, 646, 652, 652.1, 655, 703, 730; 297/401, 420, 600, 630, 631, 632, 633, 297/635, 636, 638, 639, 646, 652, 652.1, 297/655, 703, 730

The ornamental design for a sitting cushion having a cutout portion, as shown and described.

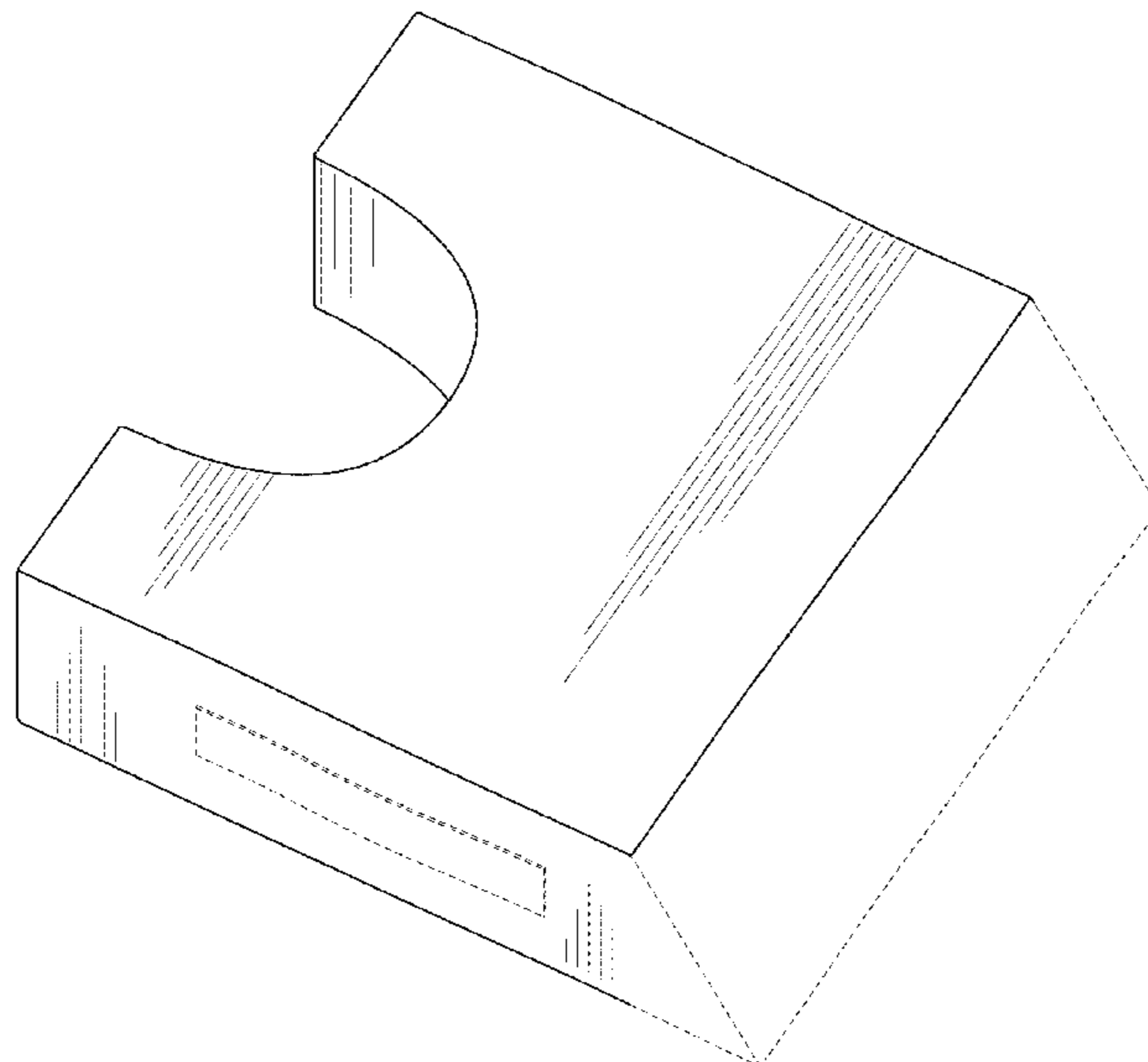
DESCRIPTION

CPC A47G 9/10; A47G 9/1009; A47G 9/1027; A47G 9/1045; A47G 9/1063; A47G 9/1072; A47G 9/00; A47G 9/02; A47G 9/0207; A47G 9/0215; A47G 9/0223; A47G 9/023; A47G 9/0238; A47G 9/0246; A47G 9/0253; A47G 9/0261; A47G 2009/001; A47G 2009/002; A47G 2009/003; A47G 2009/005; A47G 2009/006; A47G 9/06; A47G 9/062;

FIG. 1 is an isometric view of a sitting cushion having a cutout portion in accordance with my new design; FIG. 2 is a front elevation view thereof; FIG. 3 is a rear elevation view thereof; FIG. 4 is a right side view thereof; FIG. 5 is a left side view thereof; FIG. 6 is a top plan view thereof; and, FIG. 7 is a bottom plan view thereof.

The broken lines shown in the drawings are included for the purpose of illustrating unclaimed portions of the article and form no part of the claimed design.

1 Claim, 5 Drawing Sheets



(56)

References Cited

U.S. PATENT DOCUMENTS

4,473,913 A * 10/1984 Ylvisaker A47C 20/021
5/632
D311,109 S * 10/1990 Geschwender D6/601
D334,159 S * 3/1993 Mulligan 5/653
D386,571 S * 11/1997 Wilhelm D23/309
D395,568 S * 6/1998 Davis D6/601
D396,980 S * 8/1998 Novros D6/601
D398,678 S * 9/1998 Terry D23/309
D416,745 S * 11/1999 Noyes D6/601
D441,587 S * 5/2001 Cameron D6/601
D452,404 S * 12/2001 Cameron D6/601
D588,905 S * 3/2009 Meeks D8/400
D599,151 S * 9/2009 Wilson D6/601
D628,845 S * 12/2010 Guner D6/601
D637,439 S * 5/2011 Mettler D6/601
D637,440 S * 5/2011 Mettler D6/601
D645,693 S * 9/2011 Rothbard D6/601

D673,410 S * 1/2013 O'Connell D6/601
D677,507 S * 3/2013 Rocha D6/601
D686,849 S * 7/2013 Sack D6/601
D689,757 S * 9/2013 Mukaide D8/343
D732,313 S * 6/2015 Fux D6/601
D754,354 S * 4/2016 Revere D24/183
D754,990 S * 5/2016 Velasquez D6/601
D755,543 S * 5/2016 Upadhyay D6/601
D764,189 S * 8/2016 Edwards D6/349
D794,535 S * 8/2017 Chen D12/215
D839,636 S * 2/2019 Yu D6/601
D845,033 S * 4/2019 Berg D6/601
D856,706 S * 8/2019 Moffett D6/601
D862,115 S * 10/2019 Keiber D6/601
D882,296 S * 4/2020 Huang D6/601
D897,734 S * 10/2020 Moffett D6/601
2009/0007336 A1 * 1/2009 Kassai A47D 15/008
5/655
2021/0330102 A1 * 10/2021 Monico A47G 9/1054

* cited by examiner

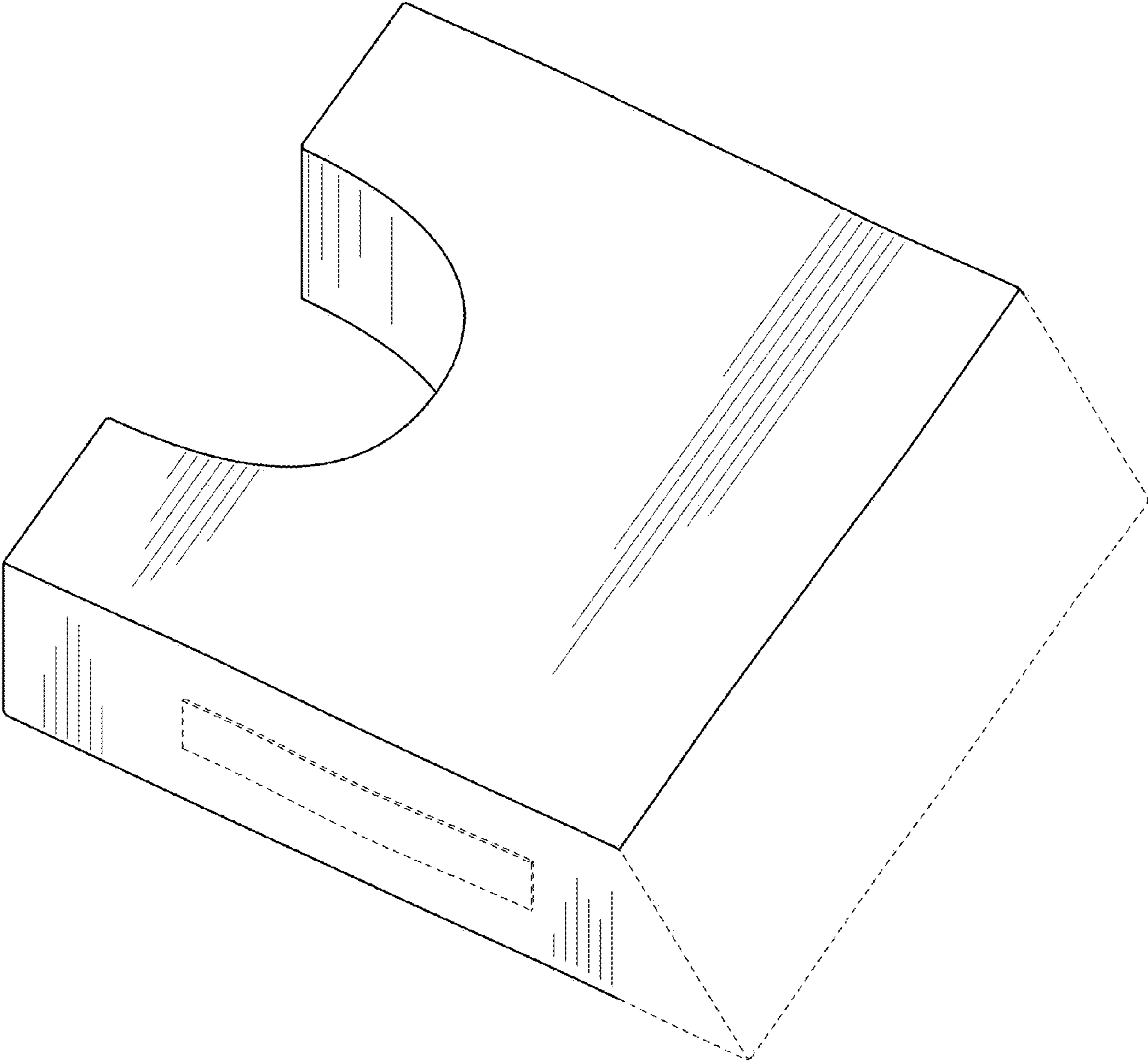


FIG. 1

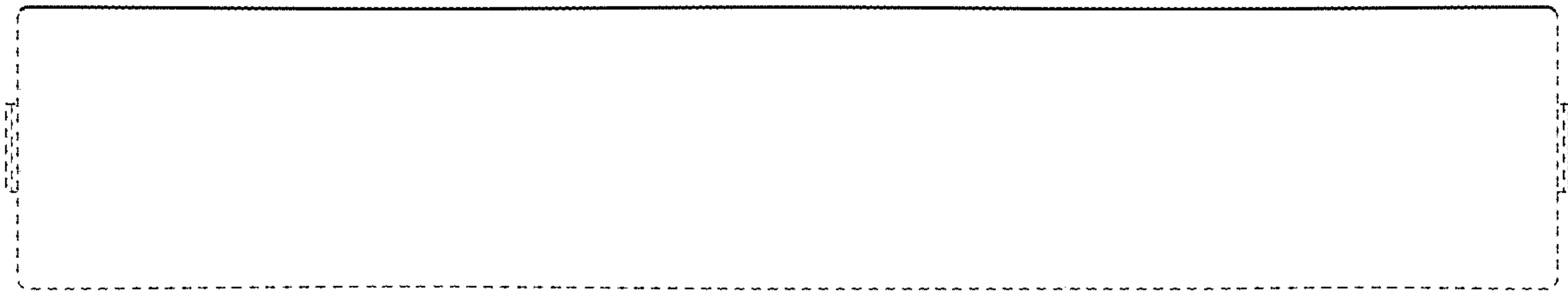


FIG. 2

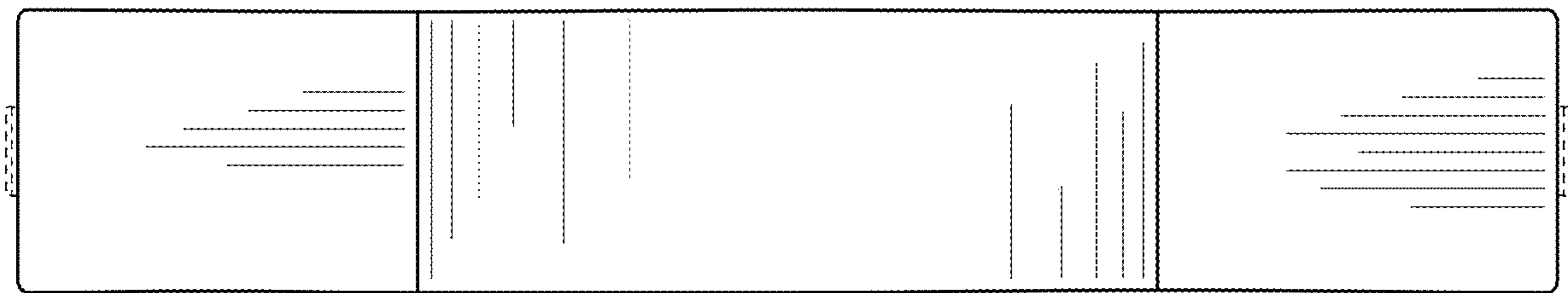


FIG. 3

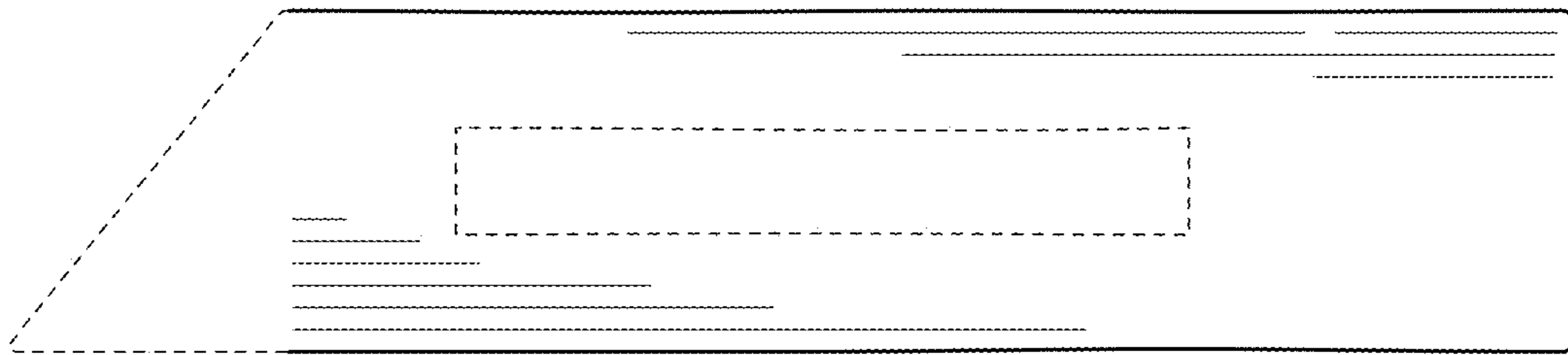


FIG. 4

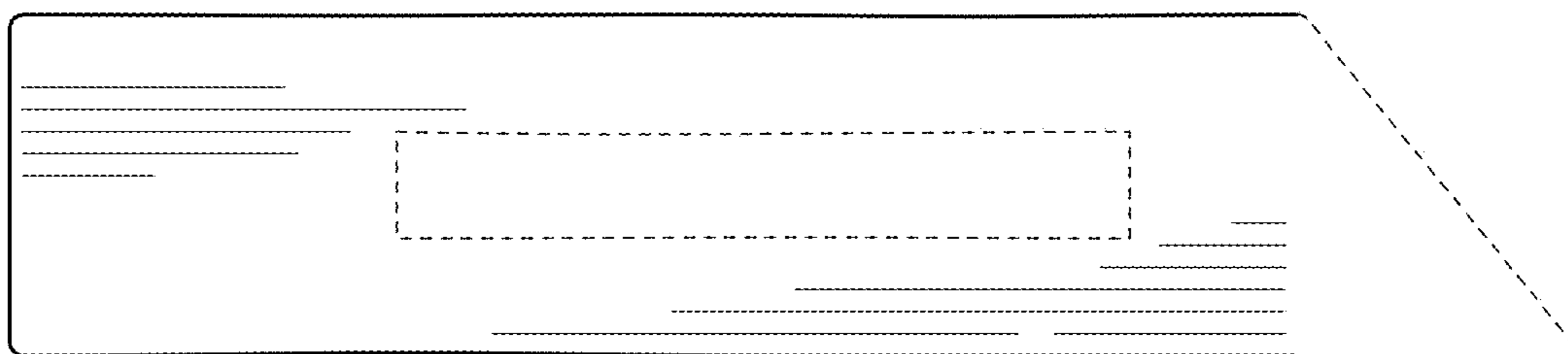


FIG. 5

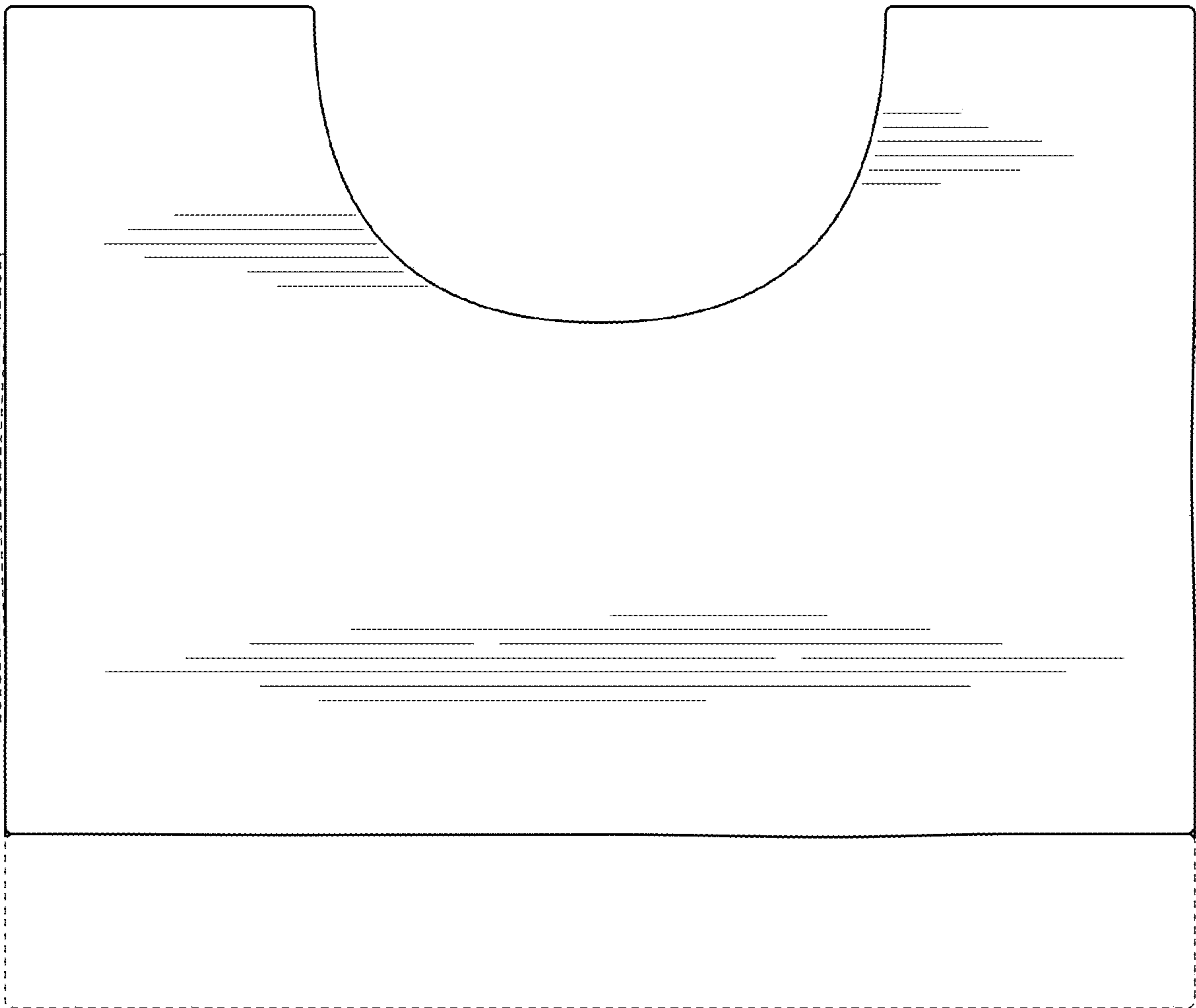


FIG. 6

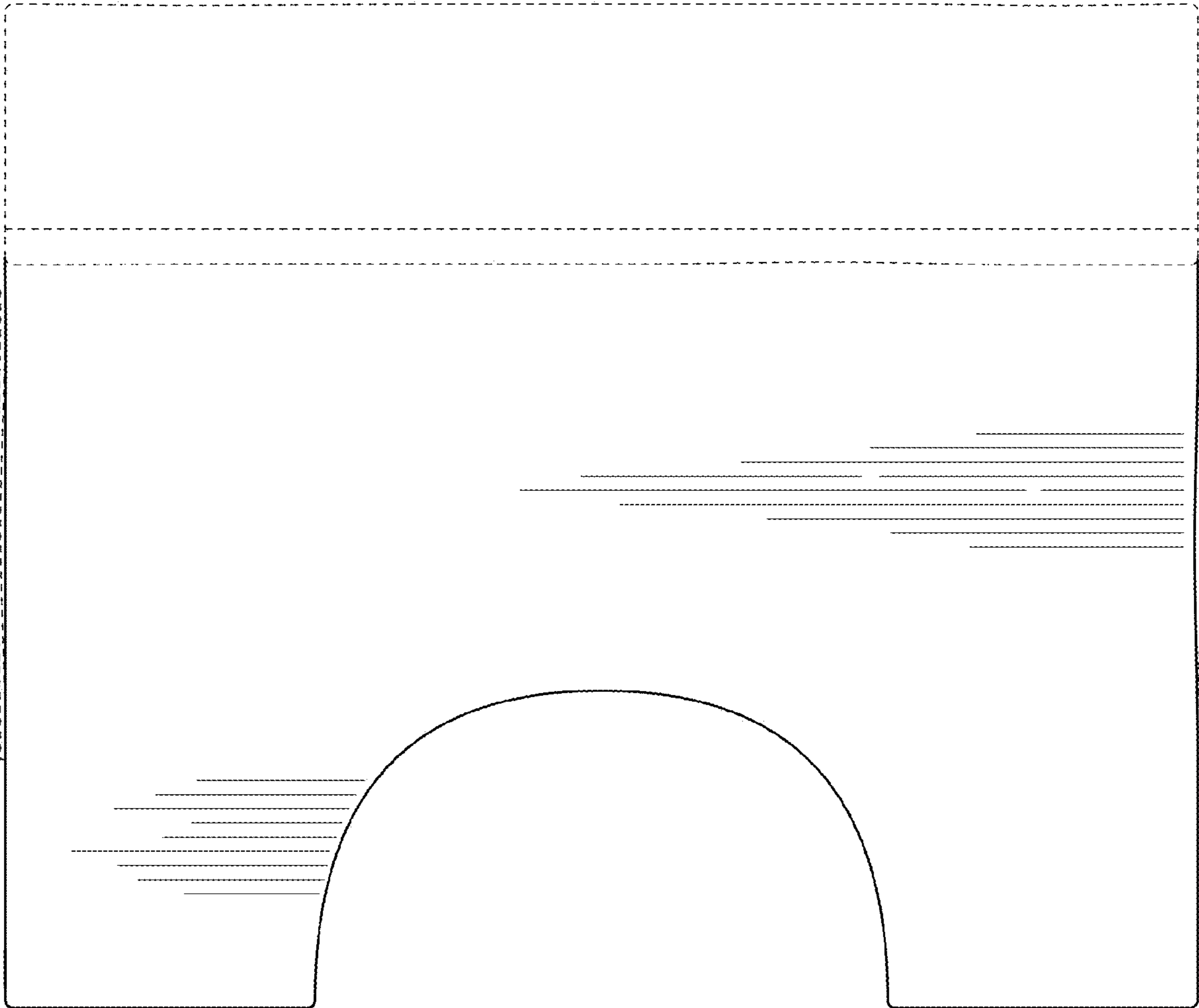


FIG. 7