



US00D948890S

(12) **United States Design Patent**  
**Wasvick et al.**

(10) **Patent No.:** **US D948,890 S**

(45) **Date of Patent:** **\*\* Apr. 19, 2022**

(54) **FISHING POLE CADDY**  
(71) Applicant: **American Made Products, LLC,**  
Siren, WI (US)  
(72) Inventors: **Wade K. Wasvick,** Oselola, WI (US);  
**Dale L. Doriott,** Webster, WI (US)

6,250,480 B1 \* 6/2001 McGuinness ..... A47B 81/005  
211/70.6  
6,378,699 B1 \* 4/2002 Churchill ..... A01K 97/01  
206/315.11  
D535,351 S \* 1/2007 Glover ..... D22/147  
D555,961 S \* 11/2007 Lien ..... D6/552  
D634,145 S \* 3/2011 Lai ..... D6/552  
D719,375 S \* 12/2014 Cox ..... D6/552

(\*\*) Term: **15 Years**

**OTHER PUBLICATIONS**

(21) Appl. No.: **29/693,099**

American made products website, Ice fishing: Tip-up Caddy, Aug. 26, 2021, <https://american-made-product.com/fishing/> (Year: 2021).\*

(22) Filed: **May 30, 2019**

(51) **LOC (13) Cl.** ..... **08-08**

\* cited by examiner

(52) **U.S. Cl.**  
USPC ..... **D6/552**

*Primary Examiner* — Nathan M Johnston

(58) **Field of Classification Search**  
USPC ..... D6/552, 553, 567, 572; D8/380;  
D22/109, 147, 148; D25/68; 43/21,  
43/21.2; 211/13.1, 60.1, 64, 70.2, 70.6,  
211/70.8, 65, 68, 69, 69.8, 89, 94;  
248/512, 520, 538, 316.7  
CPC ..... A01K 97/10; A01K 97/12; A01K 97/125;  
A01K 99/00; A01K 97/08; A47F 7/0021;  
A47F 7/0035; A47B 81/005; Y10T  
70/5009; Y10S 224/922

(74) *Attorney, Agent, or Firm* — Zarley Law Firm, P.L.C.

See application file for complete search history.

(57) **CLAIM**

The ornamental design for a fishing pole caddy, as shown and described.

**DESCRIPTION**

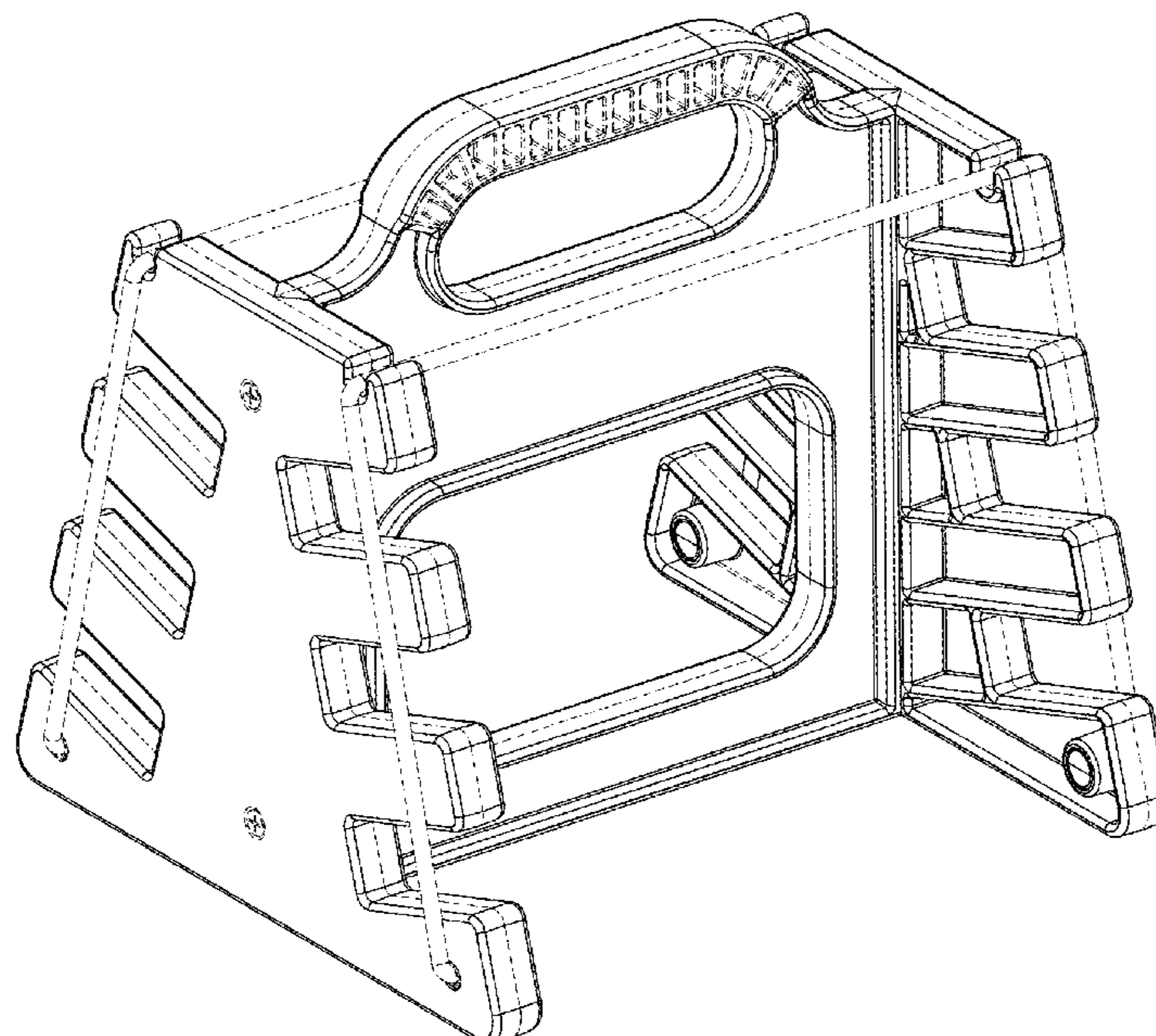
(56) **References Cited**

**U.S. PATENT DOCUMENTS**

3,824,730 A \* 7/1974 Johnson ..... A01K 97/10  
43/17  
D295,809 S \* 5/1988 Green ..... D6/552  
D300,283 S \* 3/1989 Duckro, Jr. .... D3/259  
D307,087 S \* 4/1990 Gibson ..... D12/412  
5,294,163 A \* 3/1994 Lang ..... A01K 97/01  
211/70.8  
D362,776 S \* 10/1995 Thorn ..... D6/552  
D408,086 S \* 4/1999 DuRapau ..... D25/68

FIG. 1 is a perspective view of a fishing pole caddy showing my new design;  
FIG. 2 is a front elevational view thereof, the rear elevational view being a mirror image of the FIG. 2 view;  
FIG. 3 is a left side elevational view thereof, the right side elevational view being a mirror image of the FIG. 3 view;  
FIG. 4 is a top elevational view thereof; and,  
FIG. 5 is a bottom elevational view thereof.  
The broken lines show portions of the fishing pole caddy that form no part of the claimed design.

**1 Claim, 5 Drawing Sheets**



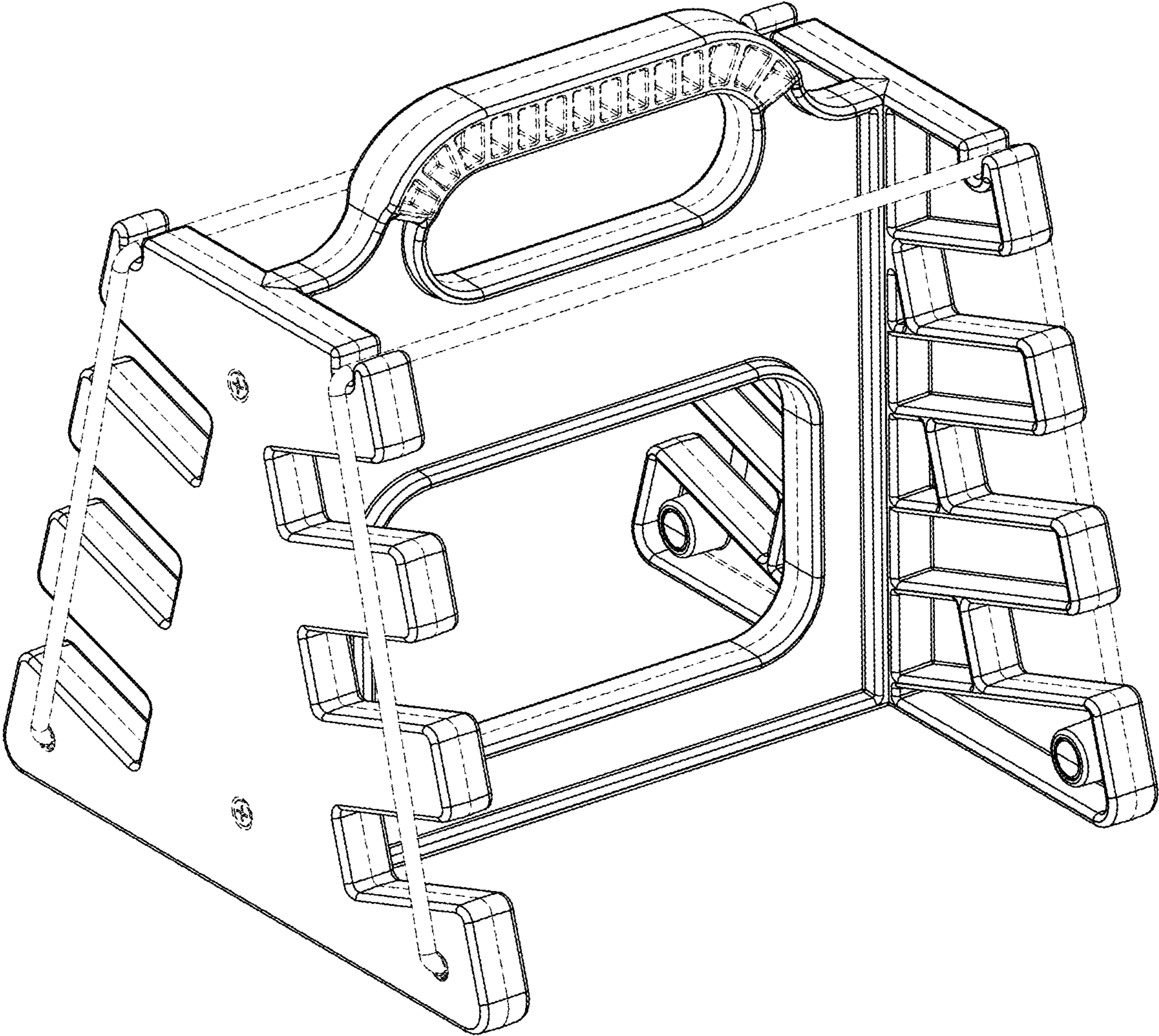


Fig. 1

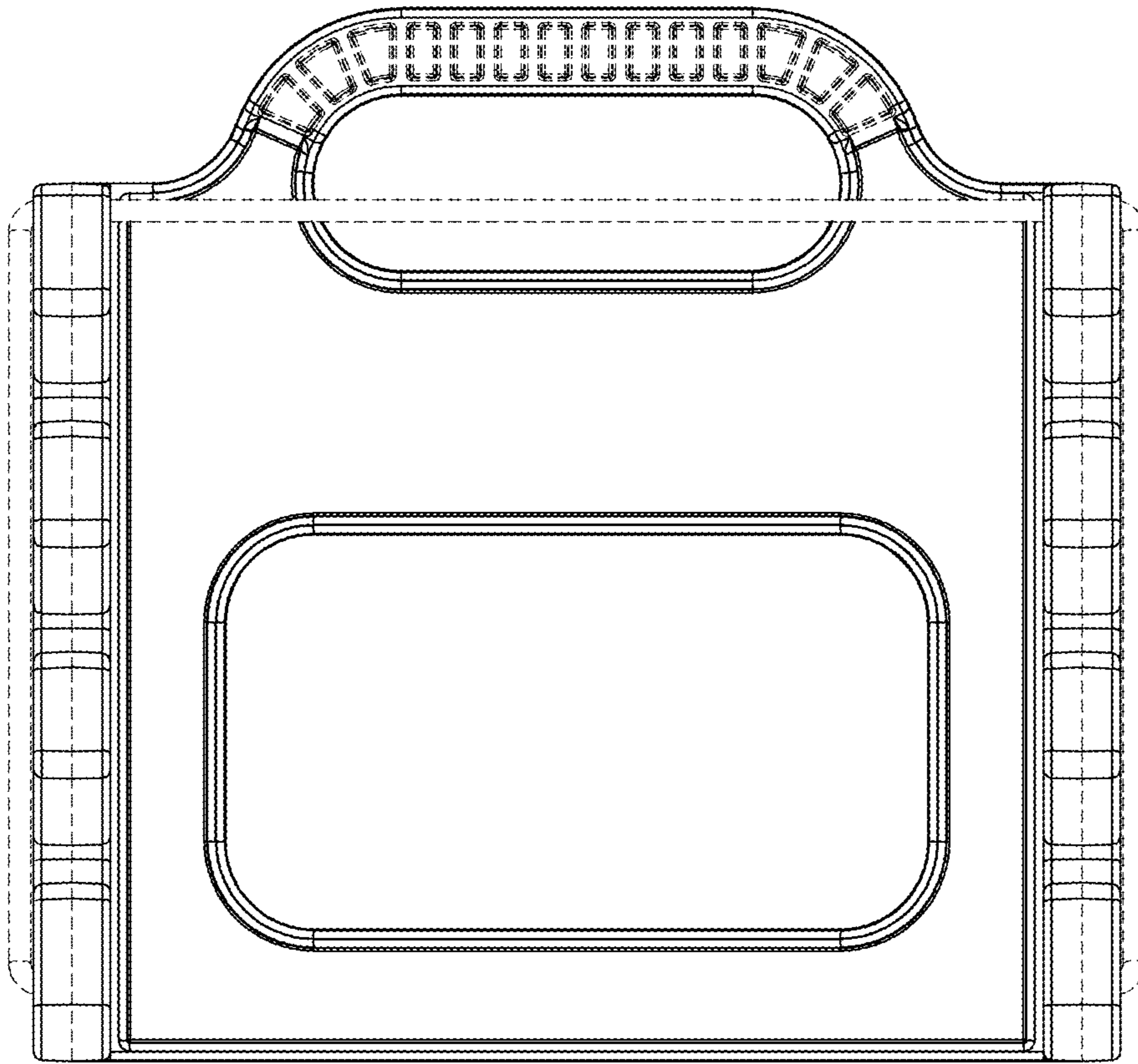


Fig. 2



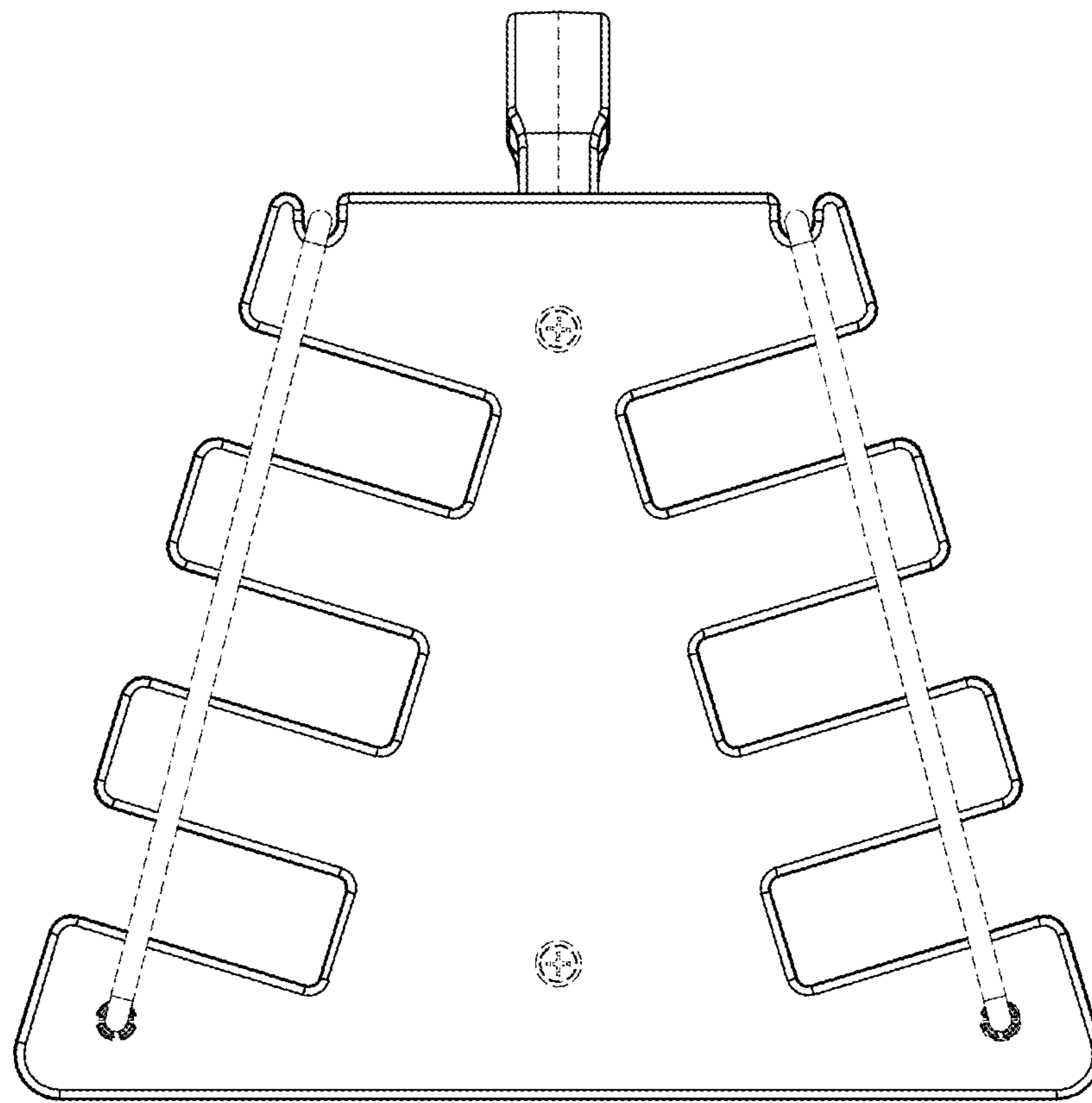


Fig. 3

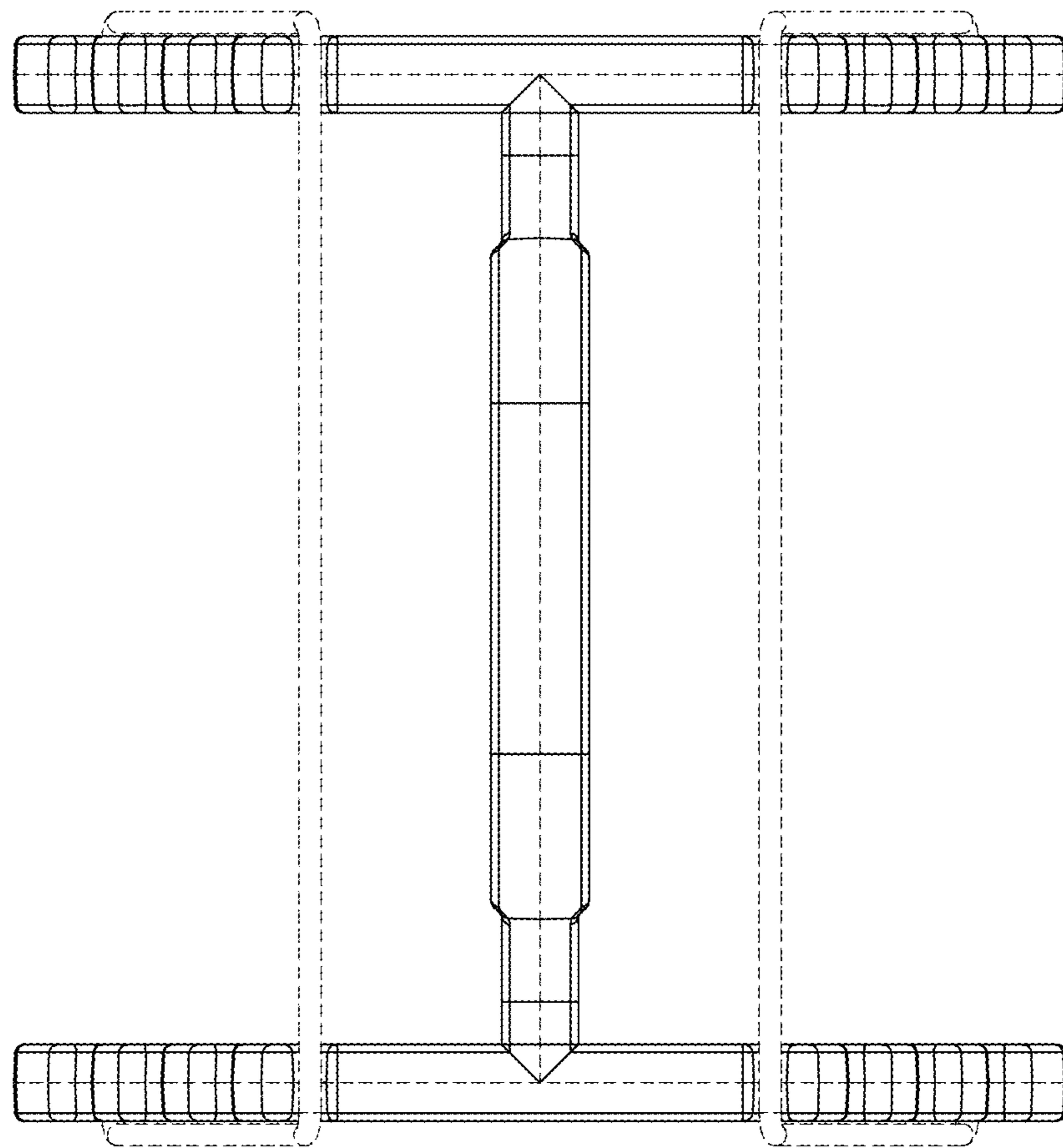


Fig. 4

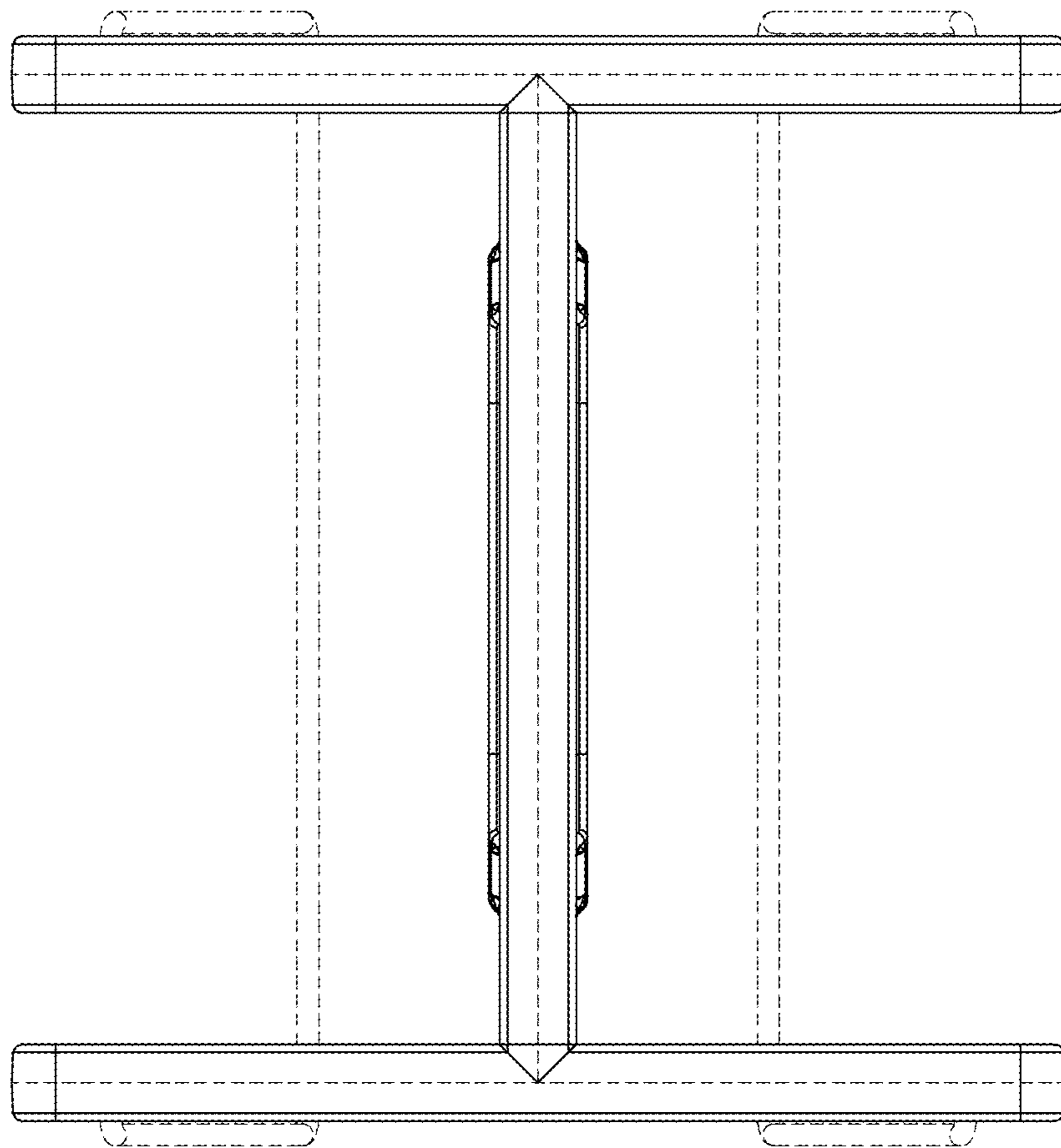


Fig. 5