



US00D948889S

(12) **United States Design Patent**
Lin

(10) **Patent No.:** **US D948,889 S**

(45) **Date of Patent:** **** Apr. 19, 2022**

- (54) **BATHROOM STORAGE BASKET**
- (71) Applicant: **Fuzhou Feibao Network Technology Co., Ltd.**, Fuzhou (CN)
- (72) Inventor: **Wei Lin**, Fuzhou (CN)
- (**) Term: **15 Years**
- (21) Appl. No.: **29/808,815**
- (22) Filed: **Sep. 23, 2021**
- (51) **LOC (13) Cl.** **06-04**
- (52) **U.S. Cl.**
USPC **D6/524; D3/304**
- (58) **Field of Classification Search**
USPC D6/524.551, 525; D7/541, 555, 615;
D8/80, 83, 94, 107, 300; D32/40, 42, 46,
D32/49, 51, 52; 206/207, 349, 361;
312/206, 207; 4/255.05, 255.11;
15/21.1, 143.1, 145, 159.1, 160, 186-188;
132/120, 142, 313; D3/304, 302, 307
CPC A47K 17/00; A47K 3/281; A47K 3/001;
A47K 10/10; A47K 2201/02; A47K 1/09;
A47K 10/18; A47K 17/022; A47K 3/003;
A47B 57/265; A47B 57/565; A47B 57/26
See application file for complete search history.

D404,767 S *	1/1999	Joun	D19/86
D578,760 S *	10/2008	Brown	D3/304
D750,337 S *	2/2016	Duvigneau	D32/55
D770,232 S *	11/2016	Brown	D7/554.3
D786,578 S	5/2017	Eads		
D806,534 S	1/2018	Chou		
D816,372 S	5/2018	Berkowitz et al.		
D824,692 S *	8/2018	Kwiatkowski	D6/536
D827,328 S	9/2018	Joseph		
D833,699 S *	11/2018	Serrahima	D32/55
D854,277 S	7/2019	Kendall		
D854,923 S *	7/2019	Denham	D9/414
D874,845 S	2/2020	Goodman et al.		
D922,072 S *	6/2021	Hazelton	D3/304
D942,755 S *	2/2022	Hsu	D3/304
2015/0257611 A1 *	9/2015	Huang	B65D 25/108 206/77.1

* cited by examiner

Primary Examiner — Nathan M Johnston
(74) *Attorney, Agent, or Firm* — Rumit Ranjit Kanakia

(57) **CLAIM**

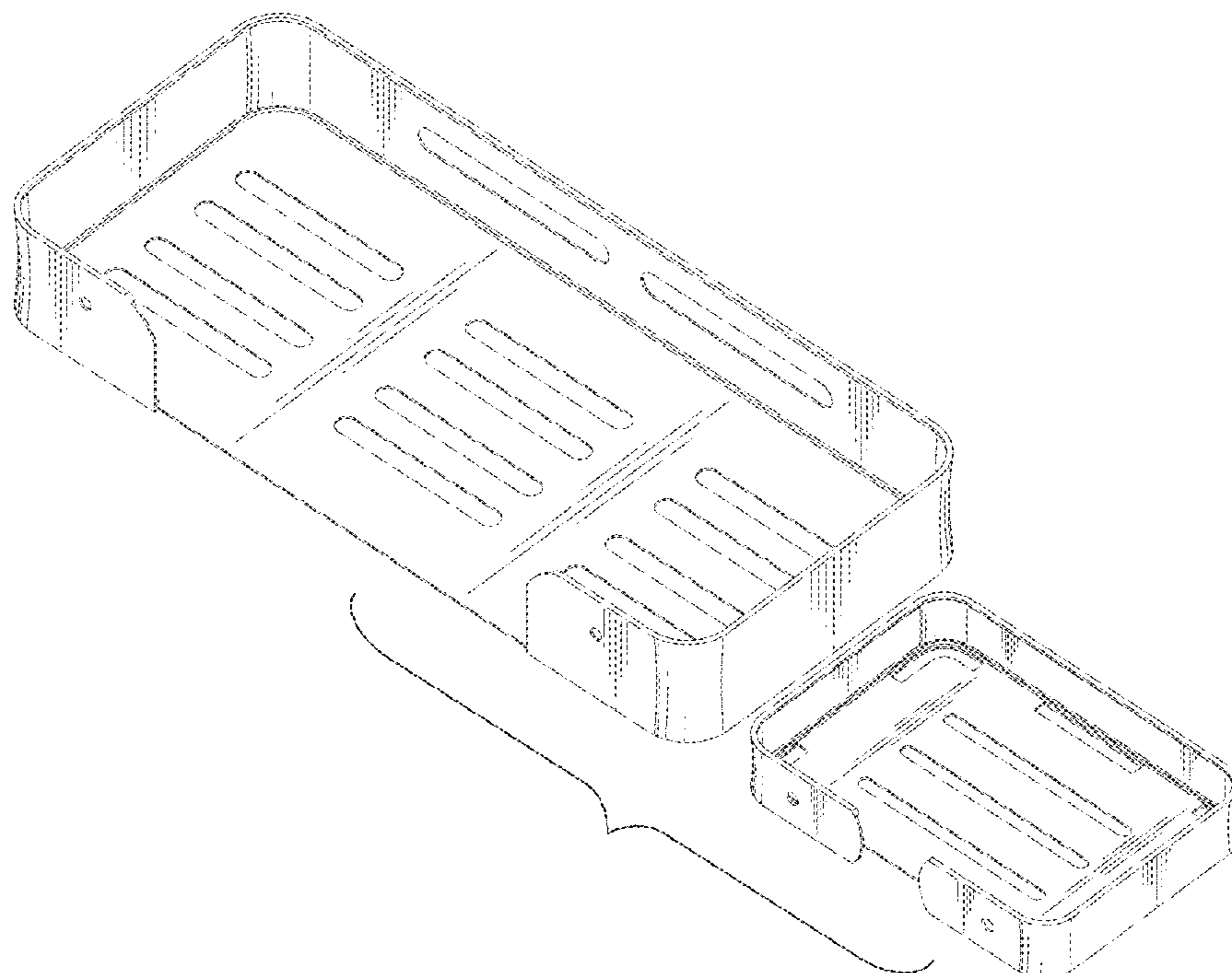
I claim the ornamental design for a bathroom storage basket, as shown and described.

DESCRIPTION

FIG. 1 is a Perspective view of a bathroom storage basket showing my new design;
FIG. 2 is a Top view thereof;
FIG. 3 is a Bottom view thereof;
FIG. 4 is a Left-side view thereof;
FIG. 5 is a Right-side view thereof;
FIG. 6 is a Back view thereof; and,
FIG. 7 is a Front view thereof.

1 Claim, 7 Drawing Sheets

- (56) **References Cited**
U.S. PATENT DOCUMENTS
1,679,032 A * 7/1928 Hitchcock A47K 5/02
74/480 B
3,480,197 A * 11/1969 Massey B65D 81/263
D9/425
4,501,355 A * 2/1985 Hoffman A47K 5/02
425/84



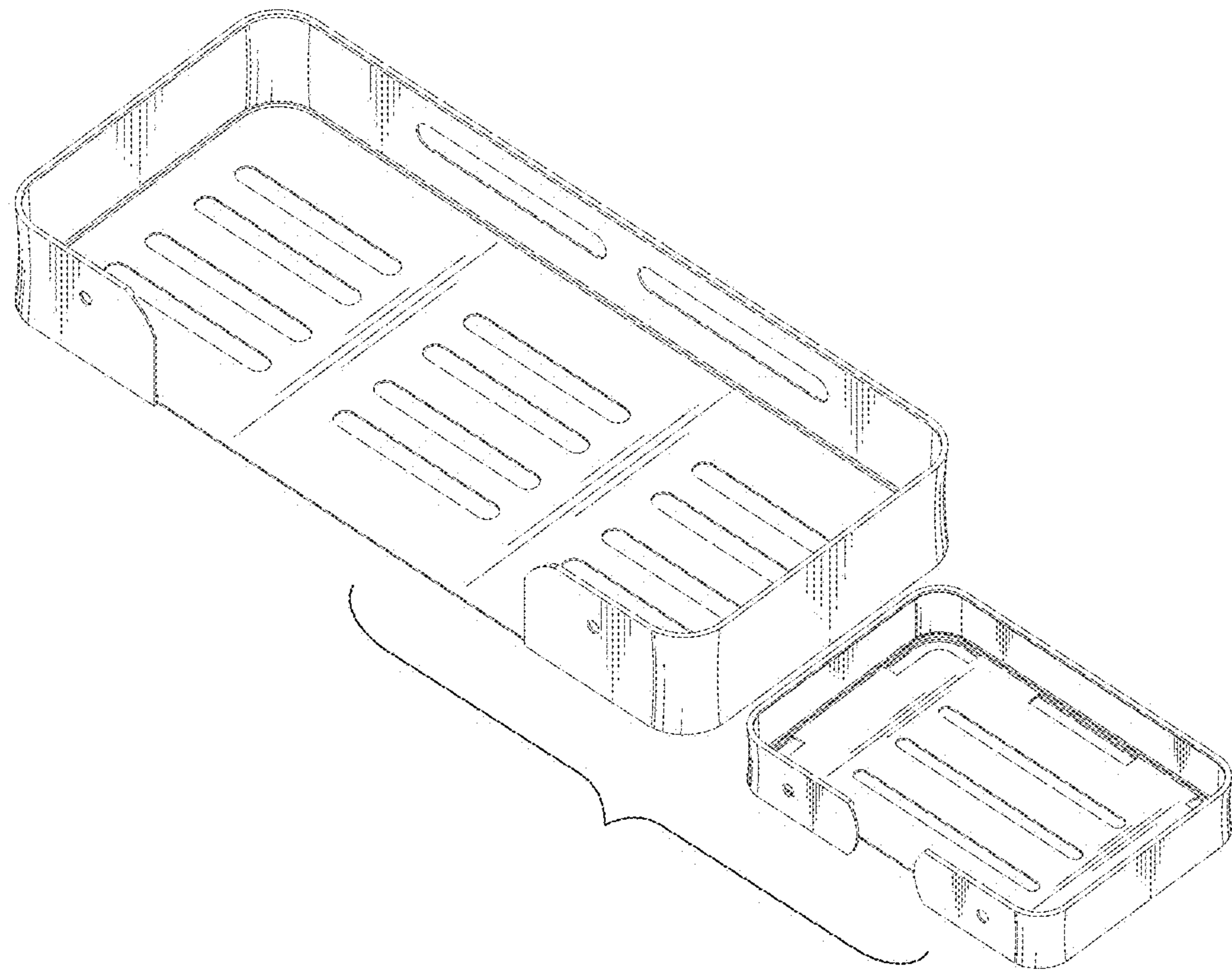


FIG. 1

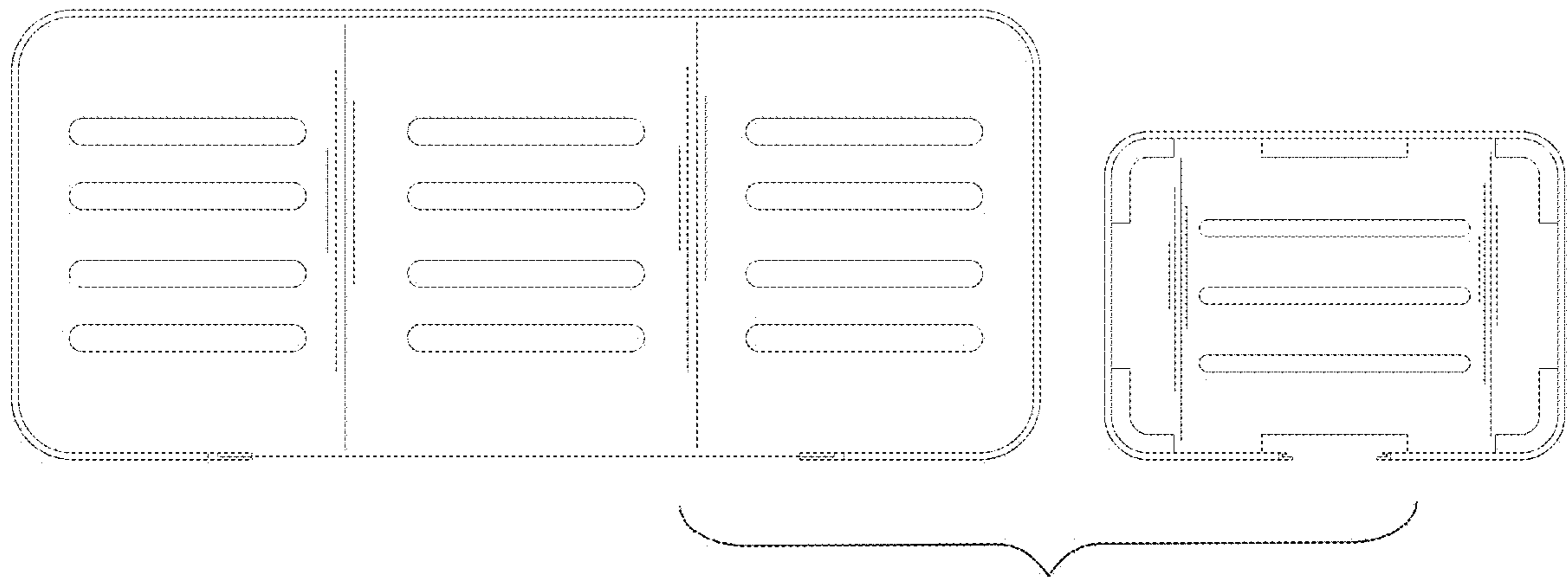


FIG. 2

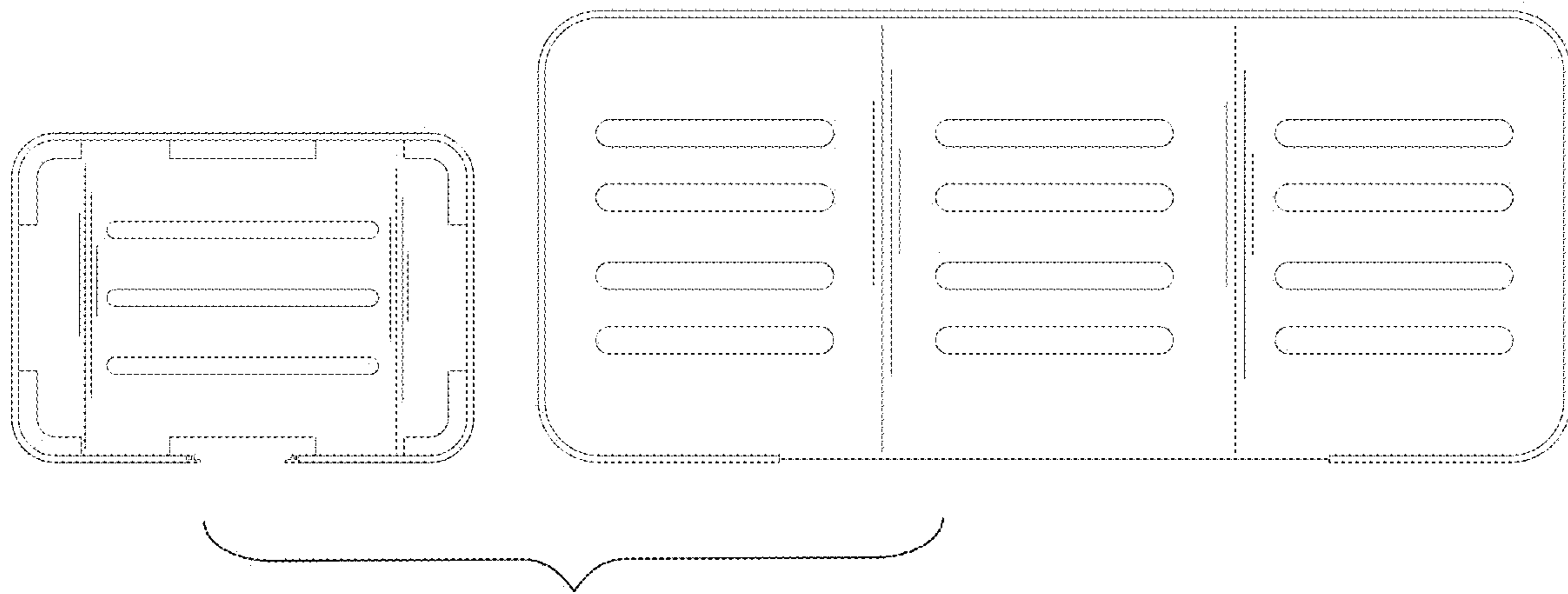


FIG. 3

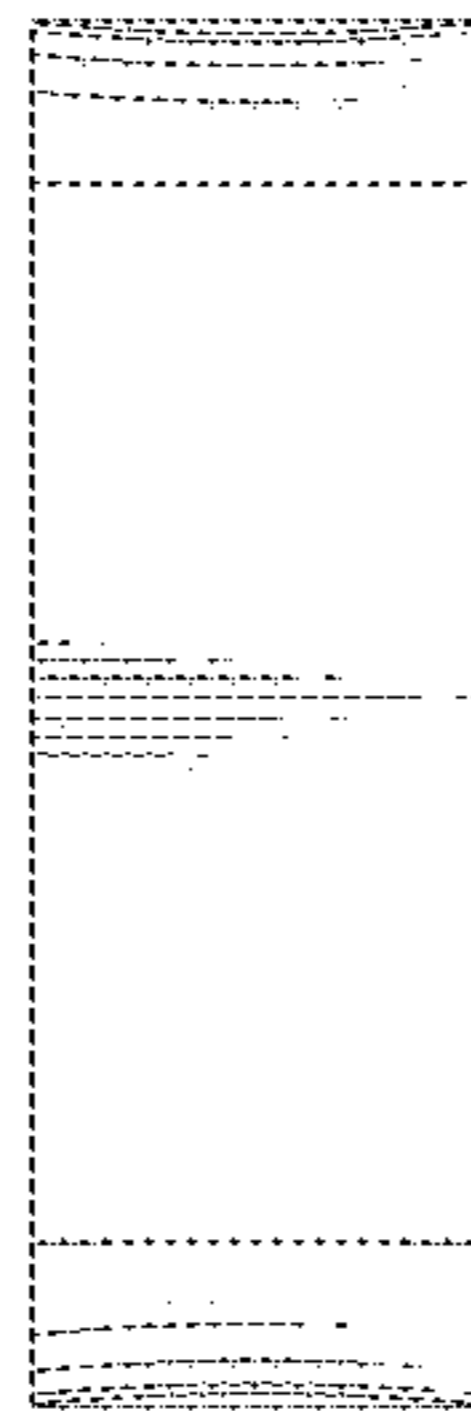


FIG. 4

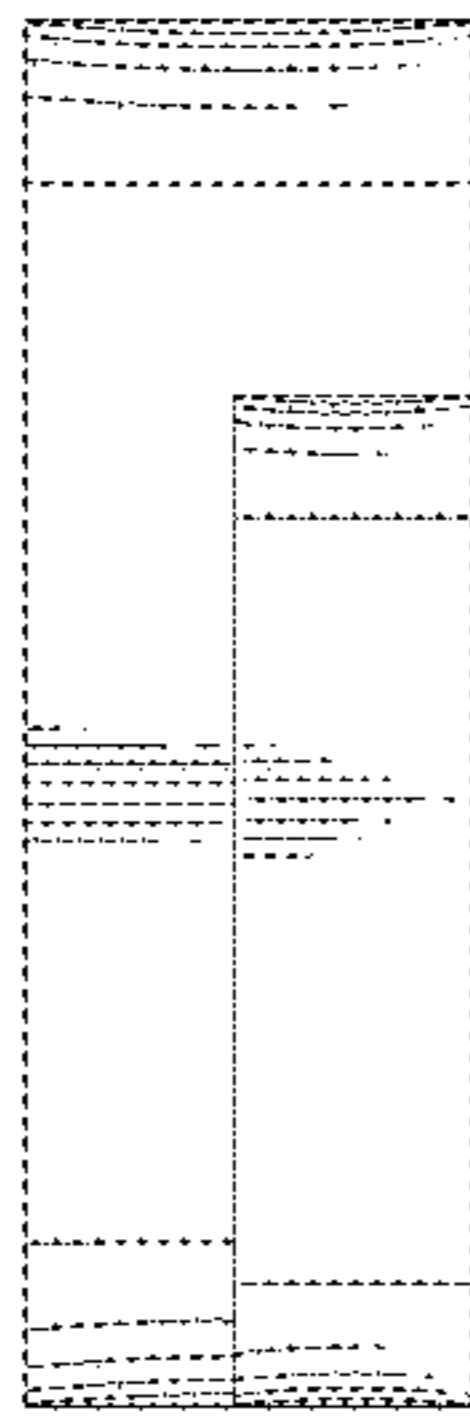


FIG. 5

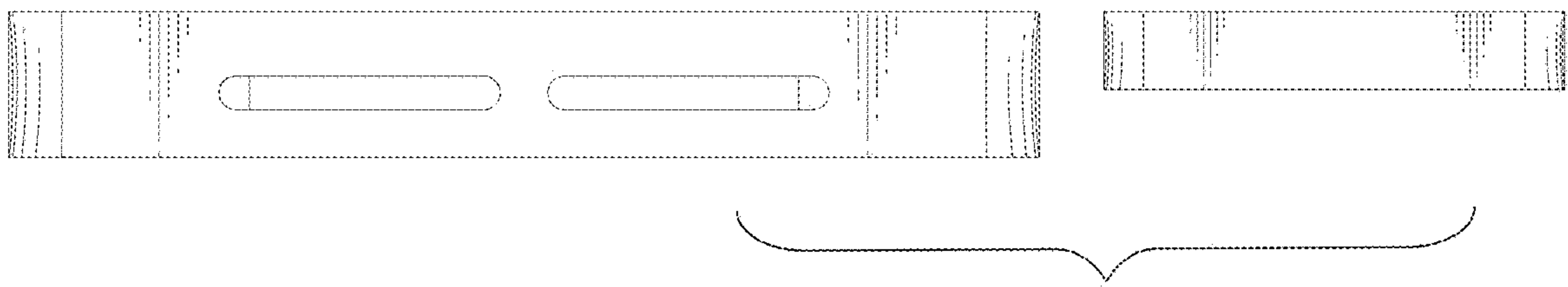


FIG. 6

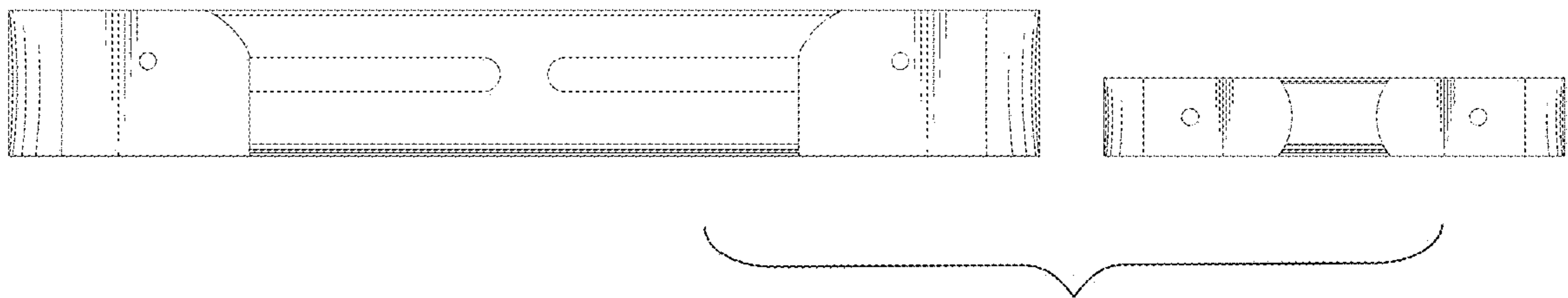


FIG. 7