



US00D948887S

(12) **United States Design Patent**
Rawl

(10) **Patent No.:** **US D948,887 S**

(45) **Date of Patent:** **** Apr. 19, 2022**

- (54) **SERVICE TRAY**
- (71) Applicant: **Jay Rawl**, Monroe, GA (US)
- (72) Inventor: **Jay Rawl**, Monroe, GA (US)
- (73) Assignee: **Minerva Beauty, Inc.**, Monroe, GA (US)
- (**) Term: **15 Years**
- (21) Appl. No.: **29/652,693**
- (22) Filed: **Oct. 28, 2020**
- (51) **LOC (13) Cl.** **06-06**
- (52) **U.S. Cl.**
USPC **D6/406.1**
- (58) **Field of Classification Search**
USPC D6/406.1, 406.2, 406.3, 406.4, 406.5,
D6/406.6, 672, 675, 656, 656.15
CPC ... A47B 23/00; A47B 23/04; A47B 2023/049;
B25H 1/00
See application file for complete search history.

- D548,496 S * 8/2007 Samtani D6/656.13
- 7,341,006 B2 * 3/2008 Hernandez A47B 3/0815
108/115
- D588,272 S * 3/2009 Meiser D24/185
- 7,540,243 B2 * 6/2009 George A47B 9/20
108/50.01
- D611,737 S * 3/2010 Miller D6/692
- D612,169 S * 3/2010 Chang D6/656.13
- D620,276 S * 7/2010 Miller D6/406.2
- D638,637 S * 5/2011 Foley D6/681.2
- D656,760 S * 4/2012 Fox D6/708
- D671,771 S * 12/2012 Heyvaerts D6/691.4
- D683,557 S * 6/2013 Block, Jr. D6/708.16
- D694,044 S * 11/2013 Copeland D6/656.15
- 8,613,454 B2 * 12/2013 Foley B25H 1/0007
280/32.6
- D720,948 S * 1/2015 Gonzalez D6/656.13
- D728,433 S * 5/2015 Nishida D12/128
- 9,073,201 B1 * 7/2015 Foley B25H 1/0007
- D774,322 S * 12/2016 Schmauch D6/406.5

(Continued)

Primary Examiner — Kelley A Donnelly
(74) *Attorney, Agent, or Firm* — Dunlap Bennett & Ludwig, PLLC

(56) **References Cited**

U.S. PATENT DOCUMENTS

- 3,853,297 A * 12/1974 Drolet F16B 7/14
248/412
- D270,588 S * 9/1983 Kemple D6/406.1
- 4,488,497 A * 12/1984 Bevans B25H 3/06
108/134
- 4,715,573 A * 12/1987 Liegel B25H 5/00
248/129
- D296,851 S * 7/1988 Kelley D6/656.11
- RE33,645 E * 7/1991 Coote B25H 5/00
248/129
- D348,999 S * 7/1994 Bonazza D34/17
- D441,224 S * 5/2001 Scheper D6/692.3
- 6,688,634 B2 * 2/2004 Noffsinger B25H 3/06
280/47.19
- 6,694,891 B1 * 2/2004 Lai A47B 3/0818
108/116

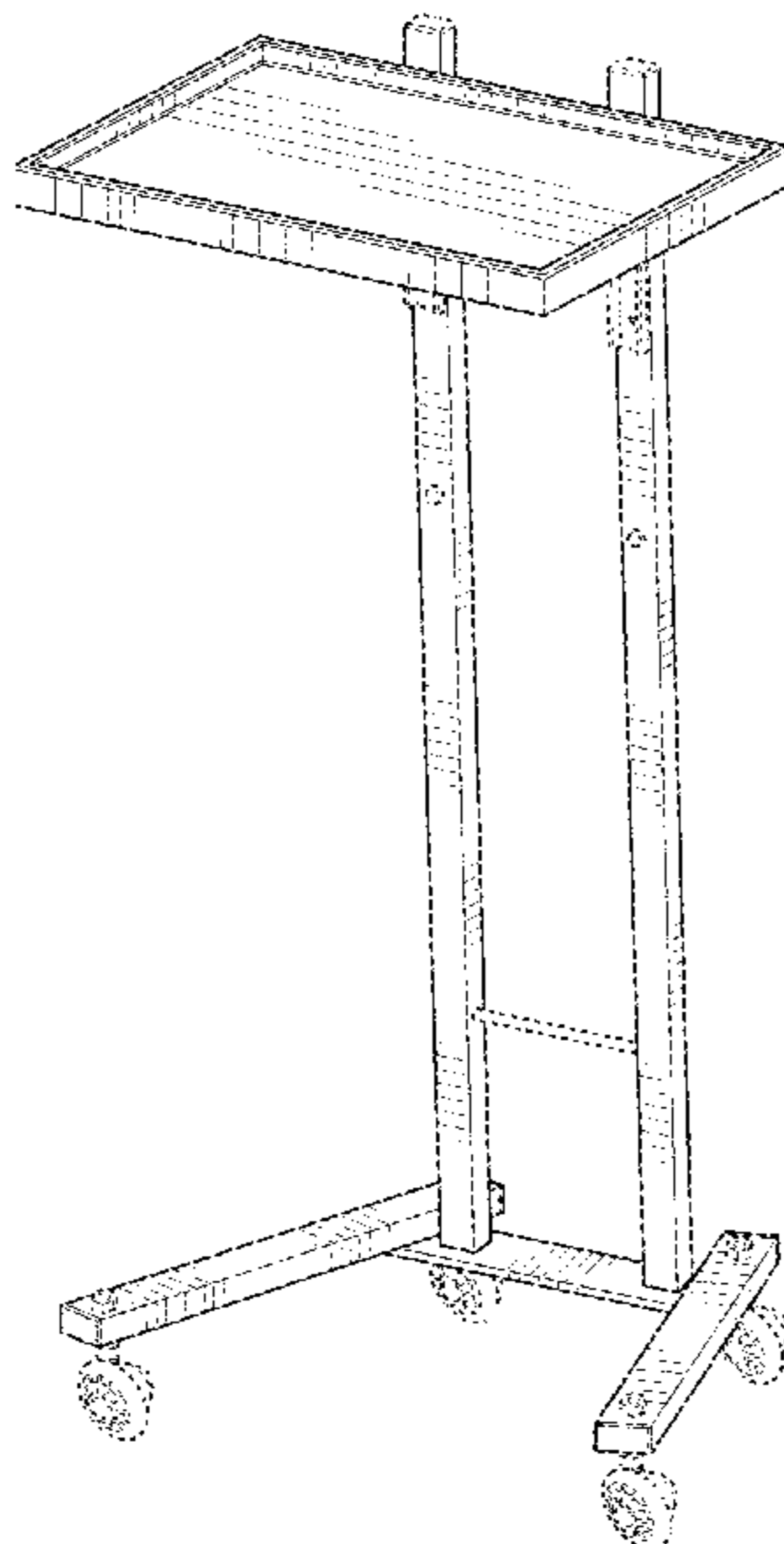
(57) **CLAIM**

The ornamental design for a service tray, as shown and described.

DESCRIPTION

FIG. 1 is a perspective view of a service tray, showing my new design;
FIG. 2 is a front elevation view thereof;
FIG. 3 is a rear elevation view thereof;
FIG. 4 is a left-side elevation view thereof;
FIG. 5 is a right-side elevation view thereof; and,
FIG. 6 is a top plan view thereof.
The broken lines shown in the drawings depict portions of the service tray that form no part of the claimed design.

1 Claim, 4 Drawing Sheets



(56)

References Cited

U.S. PATENT DOCUMENTS

D774,810 S * 12/2016 Biddle D6/691.4
D786,522 S * 5/2017 Houlihan B62B 3/008
D34/14
9,642,455 B1 * 5/2017 Albert A47B 23/046
D799,850 S * 10/2017 Heidelberger D6/406.2
D834,852 S * 12/2018 Davis D6/406.1
D894,402 S * 8/2020 Couch D24/185
D894,403 S * 8/2020 Couch D24/185
D915,796 S * 4/2021 Koplent-Zinyk D6/656.19
D921,378 S * 6/2021 Wang D6/349
D931,024 S * 9/2021 Cao D6/681
D936,841 S * 11/2021 Couch D24/185
2007/0289506 A1 * 12/2007 Branch A47B 23/046
108/116

* cited by examiner

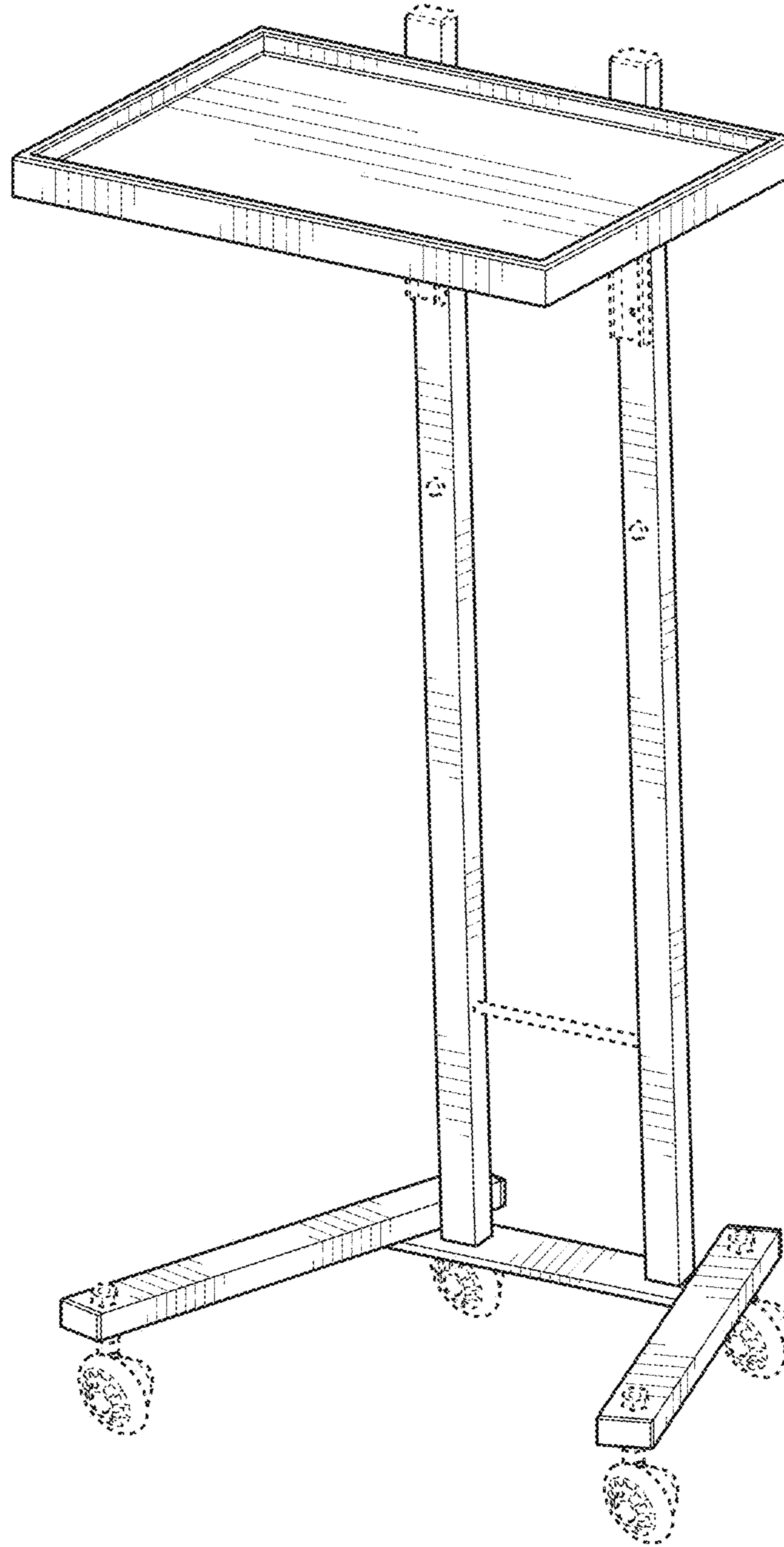


FIG. 1

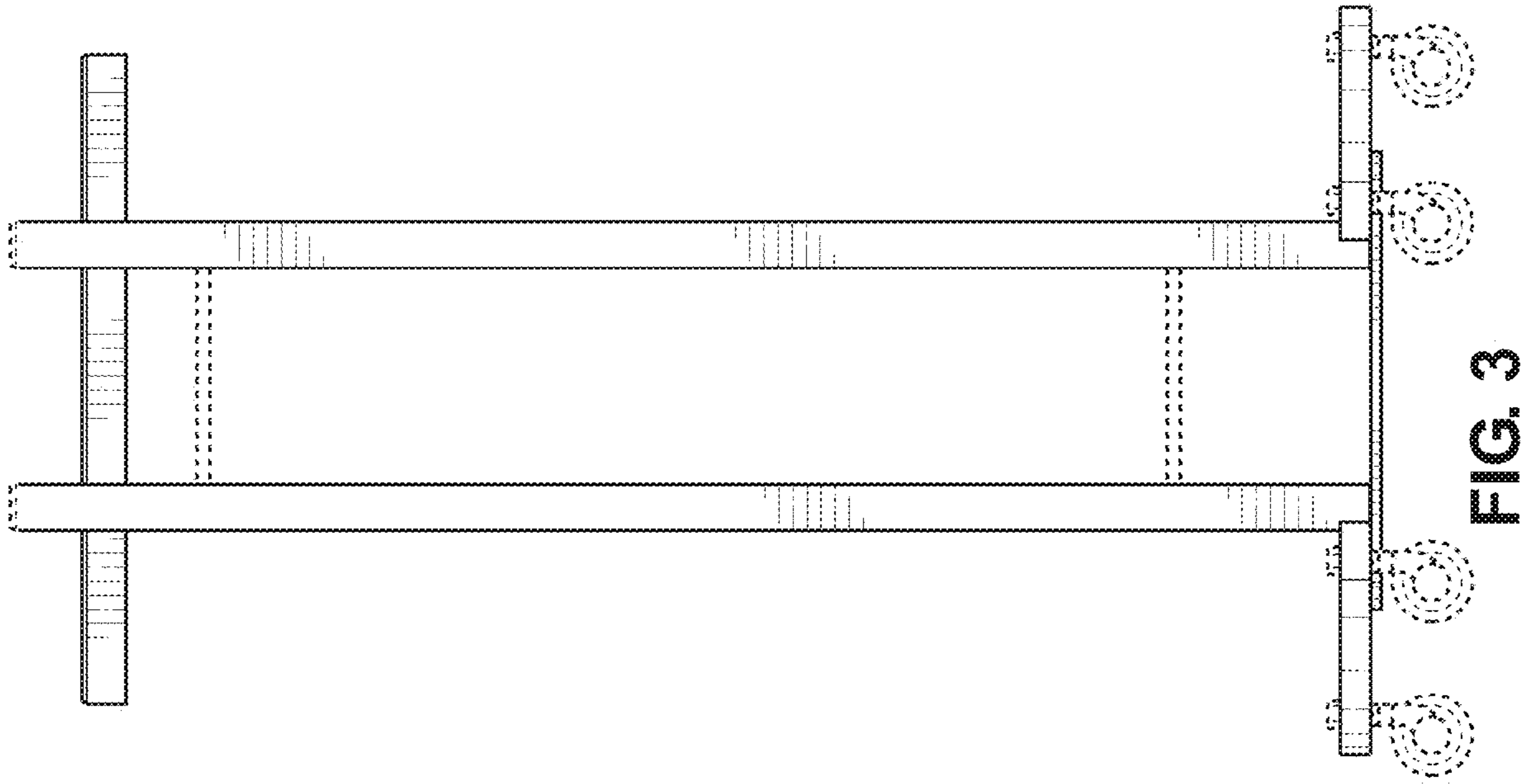


FIG. 3

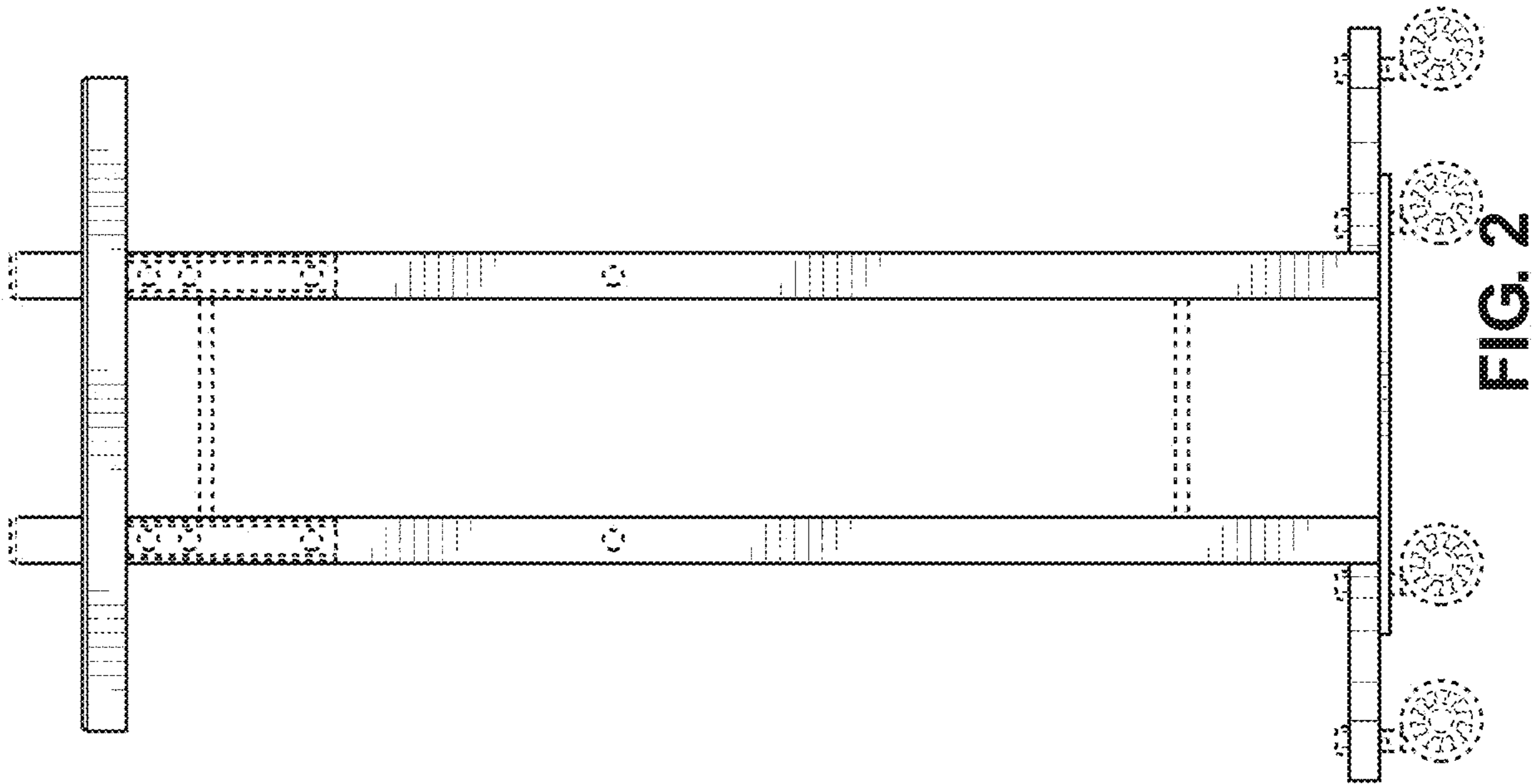


FIG. 2

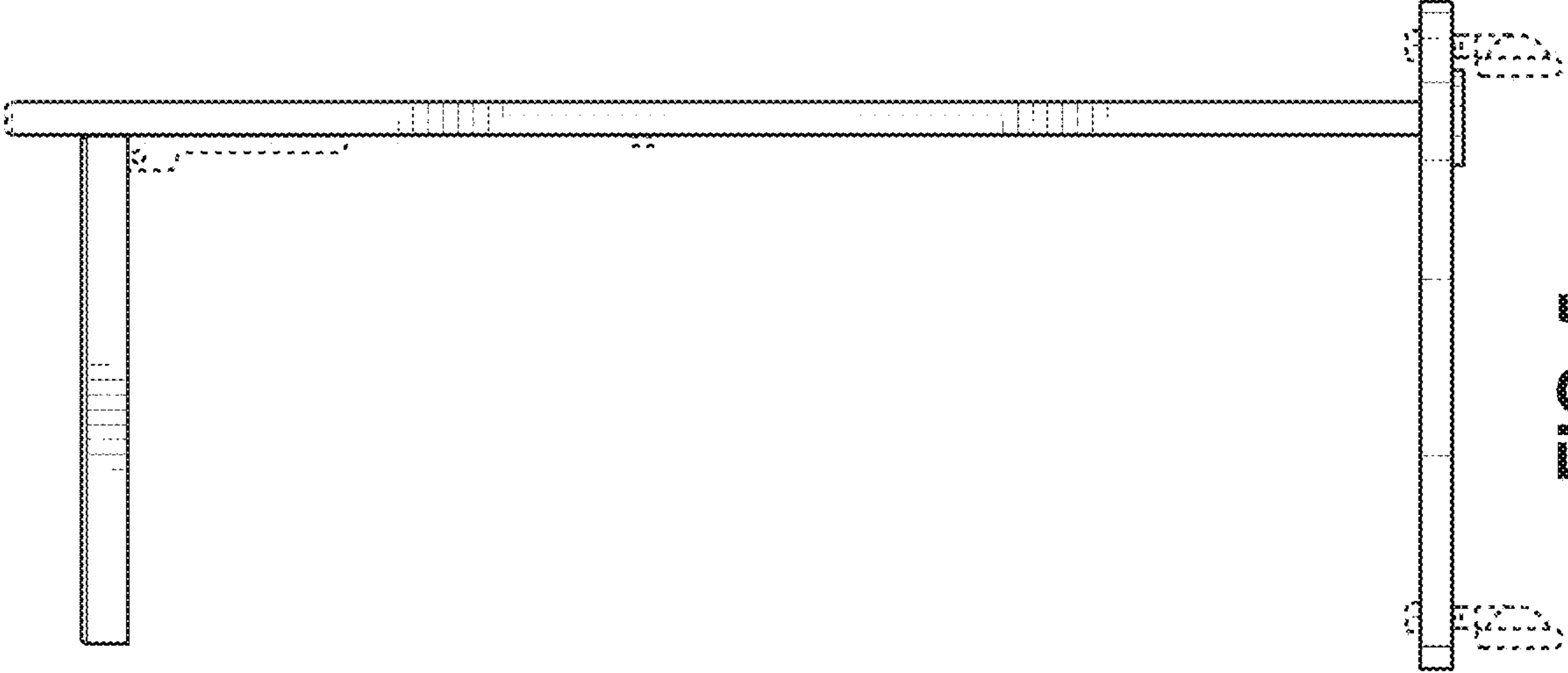


FIG. 5

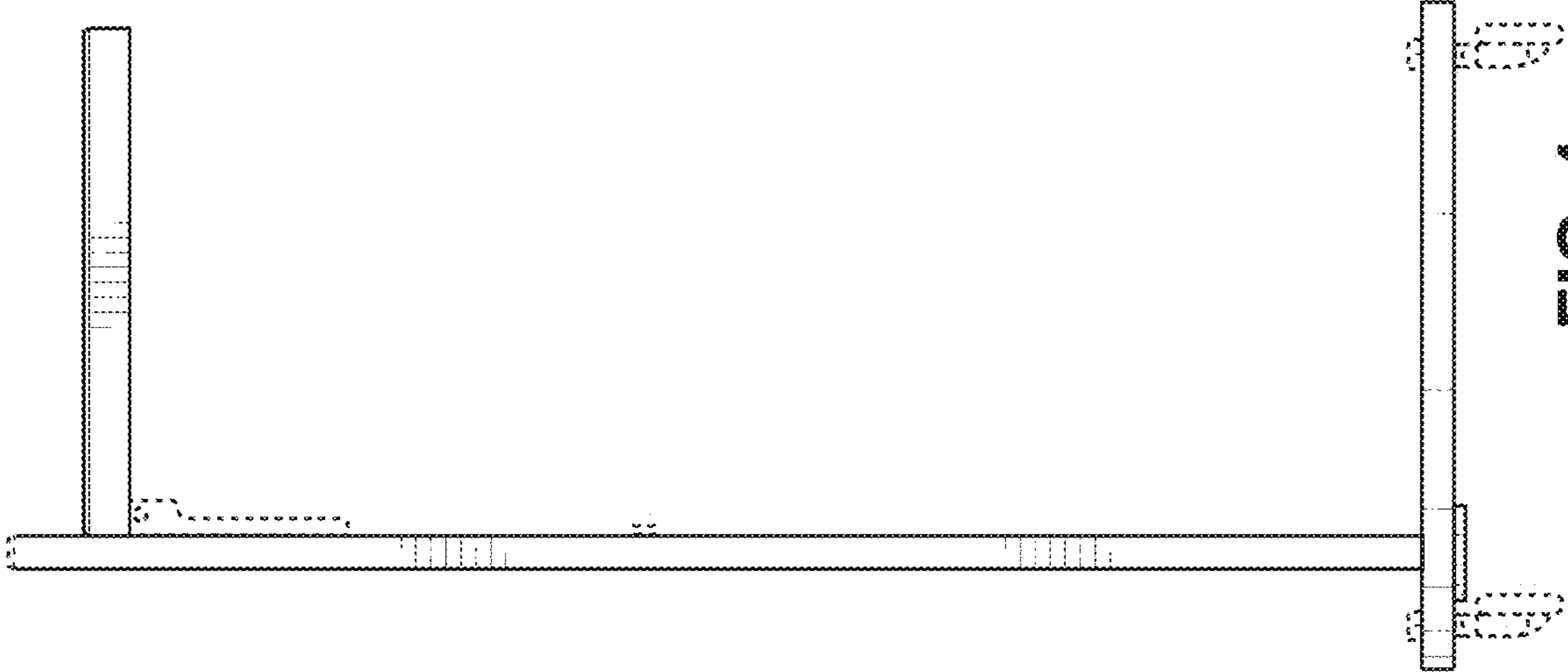


FIG. 4

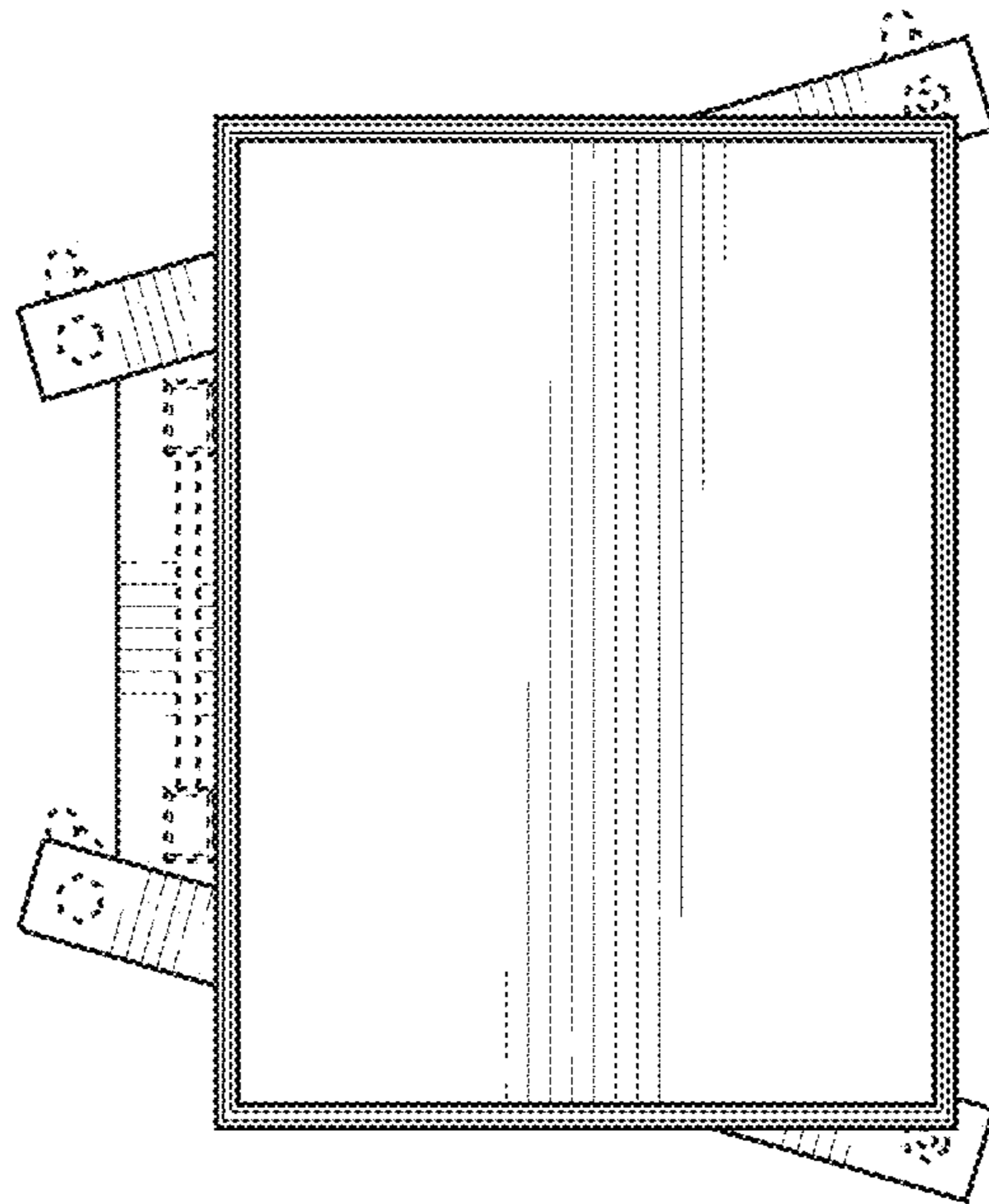


FIG. 6