



US00D948886S

(12) **United States Design Patent**  
**Calle et al.**

(10) **Patent No.:** **US D948,886 S**  
(45) **Date of Patent:** **\*\* Apr. 19, 2022**

(54) **EARTH WALL STRUCTURE WITH POCKETS**

D315,757 S 3/1991 Klitsner  
5,064,090 A 11/1991 Farrier  
5,076,735 A \* 12/1991 Hilfiker ..... E02D 29/0241  
405/284

(71) Applicants: **Jon Calle**, Pottstown, PA (US); **Sean O'Donnell**, Glenmoore, PA (US)

D326,552 S 5/1992 Goodell  
D327,560 S 6/1992 Hradisky  
(Continued)

(72) Inventors: **Jon Calle**, Pottstown, PA (US); **Sean O'Donnell**, Glenmoore, PA (US)

**FOREIGN PATENT DOCUMENTS**

(73) Assignee: **SJ HARDSCAPE ENTERPRISES, LLC**, Pottstown, PA (US)

DE 102010024555 A1 12/2011  
EP 2399449 A2 12/2011  
(Continued)

(\*\*) Term: **15 Years**

**OTHER PUBLICATIONS**

(21) Appl. No.: **29/739,580**

International Search Report, PCT/US2018/027942, dated Jul. 9, 2018.

(22) Filed: **Jun. 26, 2020**

**Related U.S. Application Data**

*Primary Examiner* — Elizabeth A. Albert

(60) Division of application No. 29/667,146, filed on Oct. 18, 2018, now Pat. No. Des. 888,604, which is a continuation of application No. 15/954,992, filed on Apr. 17, 2018, now Pat. No. 11,071,256.

(74) *Attorney, Agent, or Firm* — Condo Roccia Koptiw LLP

(51) **LOC (13) Cl.** ..... **11-02**

(57) **CLAIM**

(52) **U.S. Cl.**  
USPC ..... **D6/405; D11/155**

The ornamental design for an earth wall structure with pockets, as shown and described.

(58) **Field of Classification Search**

**DESCRIPTION**

USPC ..... D6/403-405, 556-558, 675; D11/143-156, 164  
CPC ..... A01G 9/02; A01G 9/021; A01G 9/022; A01G 9/025; A01G 9/026; A01G 9/028; A01G 9/029; A01G 9/0291; A01G 9/0293; A01G 9/0295; A01G 9/0297; A01G 9/0299; A01G 9/04; A01G 9/045; E02D 29/02; E02D 29/0241

FIG. 1 is a top perspective view of an earth wall structure with pockets according to our new design; FIG. 2 is a bottom perspective view thereof; FIG. 3 is a front view thereof; FIG. 4 is rear view thereof; FIG. 5 is a top view thereof; FIG. 6 is a bottom view thereof; FIG. 7 is a first side view thereof; and, FIG. 8 is a second side view thereof, taken opposite the view of FIG. 7.

See application file for complete search history.

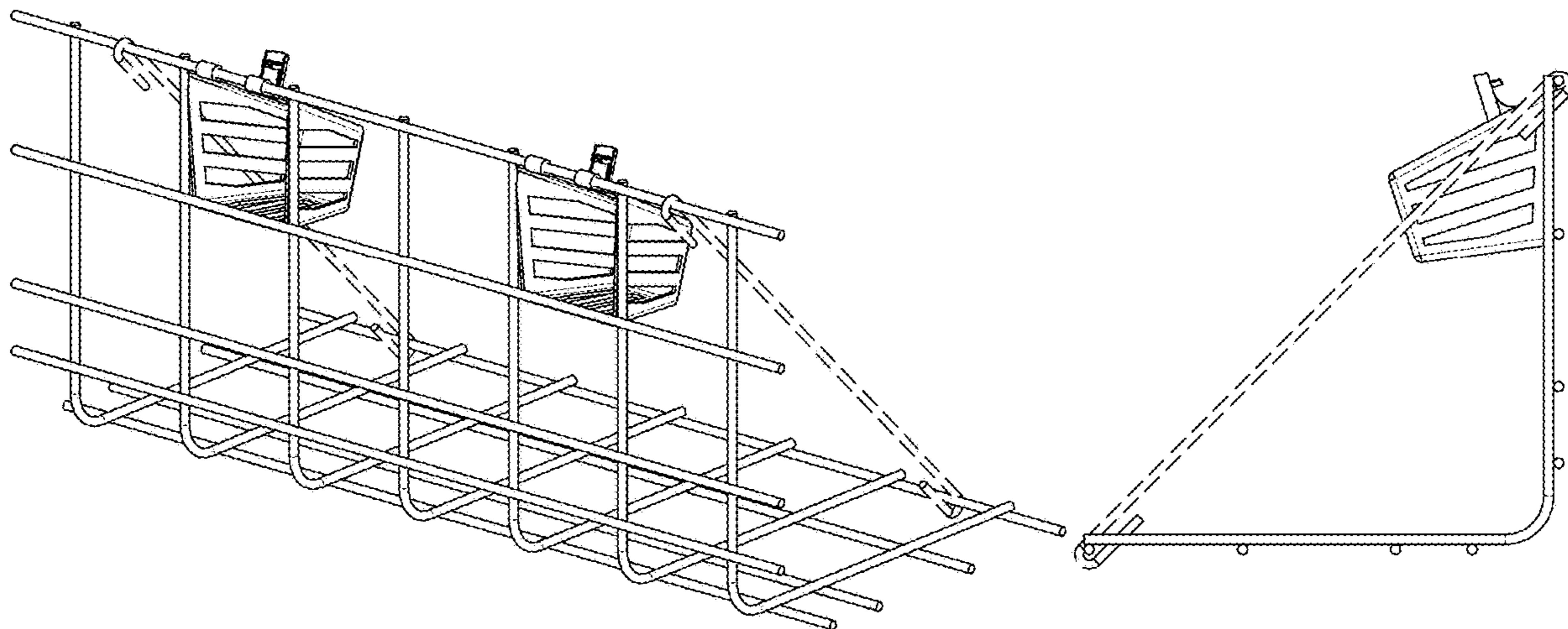
The broken lines in FIGS. 1-8 are included for the purpose of illustrating portions of the earth wall structure with pockets that form no part of the claimed design.

(56) **References Cited**

**1 Claim, 7 Drawing Sheets**

**U.S. PATENT DOCUMENTS**

4,329,089 A 5/1982 Hilfiker et al.  
D290,179 S 6/1987 Peltola



(56)

References Cited

U.S. PATENT DOCUMENTS

D348,128 S 6/1994 Craft et al.  
 D350,423 S 9/1994 Craft, Jr. et al.  
 5,417,338 A 5/1995 Roy et al.  
 D359,850 S 7/1995 Staubitz et al.  
 D360,116 S 7/1995 Fillipp  
 5,445,397 A 8/1995 Evans  
 D370,701 S 6/1996 Thomsen  
 5,647,695 A 7/1997 Hilfiker et al.  
 5,683,744 A 11/1997 Jolly et al.  
 5,722,799 A \* 3/1998 Hilfiker ..... E02D 29/0241  
 405/262  
 5,878,908 A 3/1999 Foley  
 5,947,643 A 9/1999 Anderson et al.  
 5,951,209 A 9/1999 Anderson et al.  
 D438,010 S 2/2001 Drury et al.  
 D459,077 S 6/2002 Krivulin  
 D466,013 S 11/2002 Nance  
 D564,758 S 3/2008 Drury  
 D581,670 S 12/2008 Neilsen  
 7,544,015 B2 \* 6/2009 Kallen ..... E02D 29/0225  
 108/158.12  
 D602,667 S 10/2009 Barbieri  
 D603,197 S 11/2009 Hrovat  
 D606,313 S 12/2009 Neilsen  
 8,197,159 B2 \* 6/2012 Ridgway ..... E02D 29/02  
 405/284  
 D681,334 S 5/2013 Goodell  
 8,479,444 B2 7/2013 Mesiara  
 8,562,259 B2 \* 10/2013 Ridgway ..... E02D 17/20  
 405/284  
 8,616,807 B2 \* 12/2013 Ogorchock ..... E02D 29/02  
 405/262

8,632,278 B2 \* 1/2014 Taylor ..... E02D 29/0225  
 405/262  
 8,683,744 B2 4/2014 Chang  
 8,734,059 B2 \* 5/2014 Taylor ..... E02D 29/0225  
 405/262  
 D724,481 S 3/2015 Blouin  
 D730,079 S 5/2015 Lee et al.  
 D820,722 S 6/2018 Shaffer et al.  
 D840,264 S \* 2/2019 Ryan ..... D11/155  
 2005/0265792 A1 12/2005 Lee  
 2007/0251144 A1 11/2007 Cooley  
 2010/0095586 A1 4/2010 Sichelto  
 2010/0325953 A1 12/2010 Chang  
 2011/0025704 A1 2/2011 Odland et al.  
 2011/0146150 A1 6/2011 Lyon  
 2011/0252704 A1 10/2011 Cho  
 2011/0311318 A1 12/2011 Taylor  
 2012/0272573 A1 11/2012 Hashimoto  
 2013/0333286 A1 12/2013 Billingsley  
 2014/0100854 A1 4/2014 Chen et al.  
 2015/0265792 A1 9/2015 Goudra et al.  
 2015/0026579 A1 12/2015 Lee  
 2016/0050856 A1 2/2016 Shah  
 2016/0262316 A1 9/2016 Woolbright  
 2017/0138013 A1 \* 5/2017 Woolbright ..... E02D 29/02  
 2018/0295791 A1 10/2018 Calle et al.  
 2019/0150373 A1 5/2019 Calle et al.  
 2020/0248426 A1 \* 8/2020 Palma ..... E02D 29/02

FOREIGN PATENT DOCUMENTS

EP 2692225 A1 2/2014  
 KR 10-0650638 B1 11/2006  
 WO WO 2014/100854 A1 7/2014

\* cited by examiner

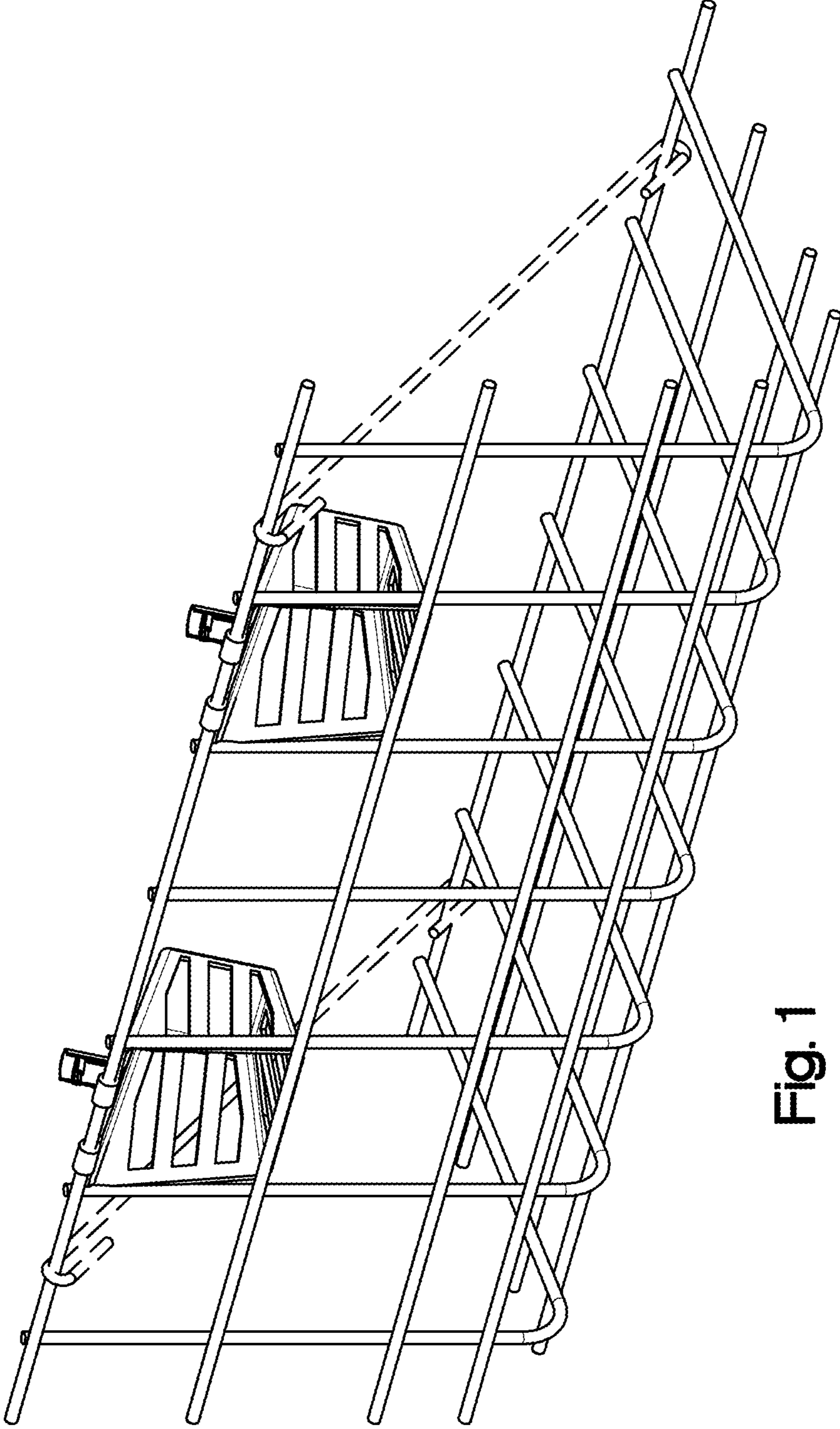


Fig. 1

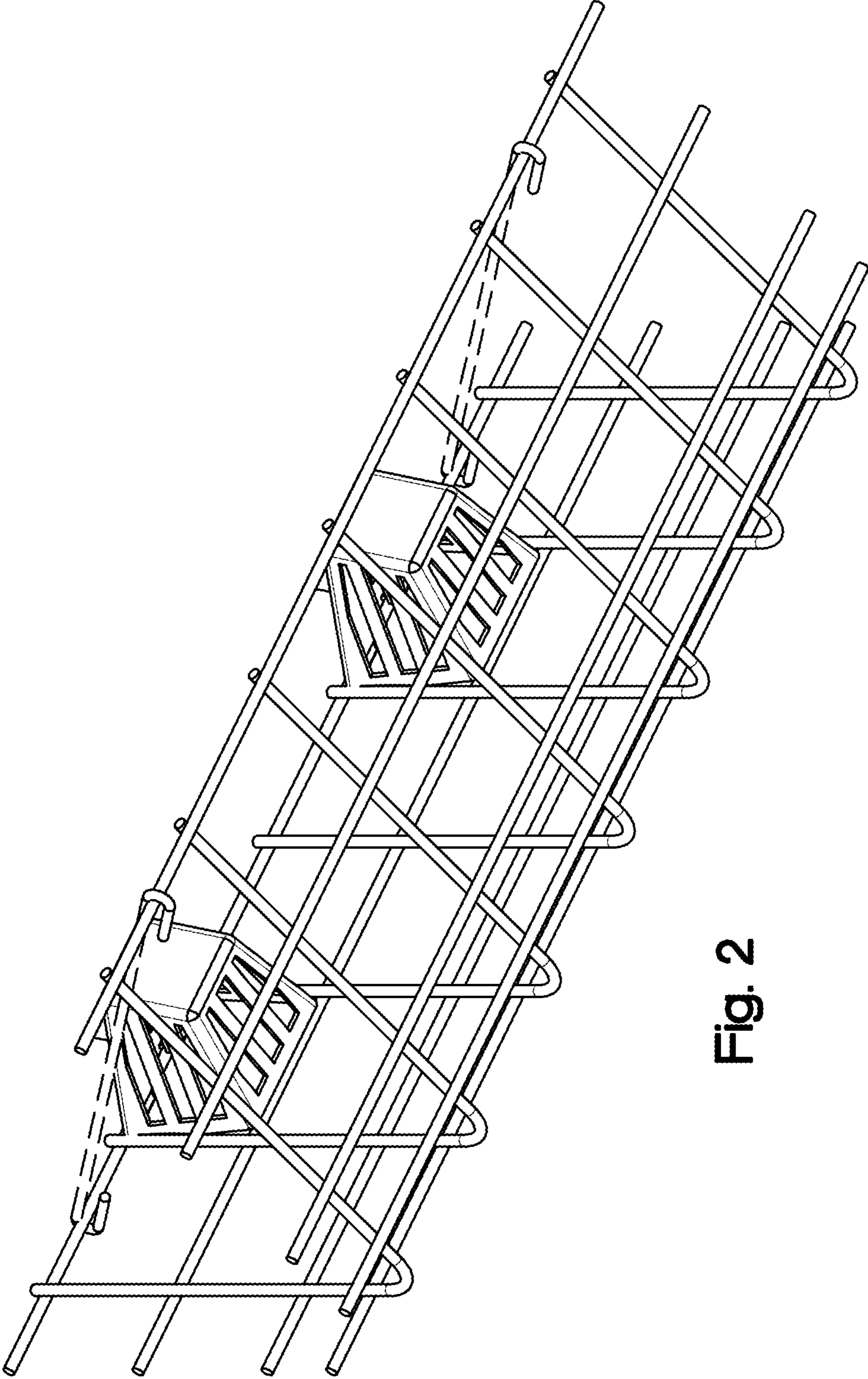


Fig. 2

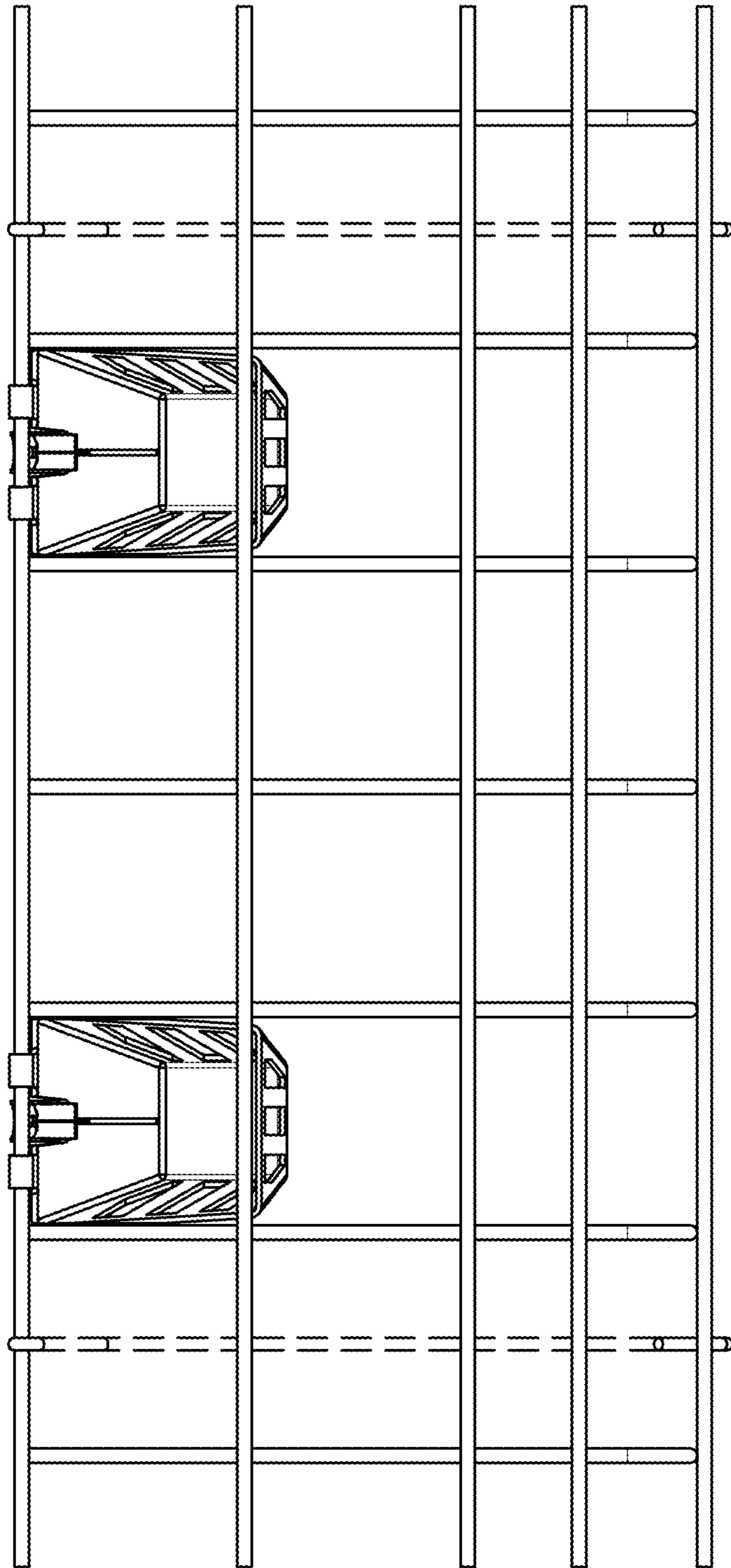


Fig. 3

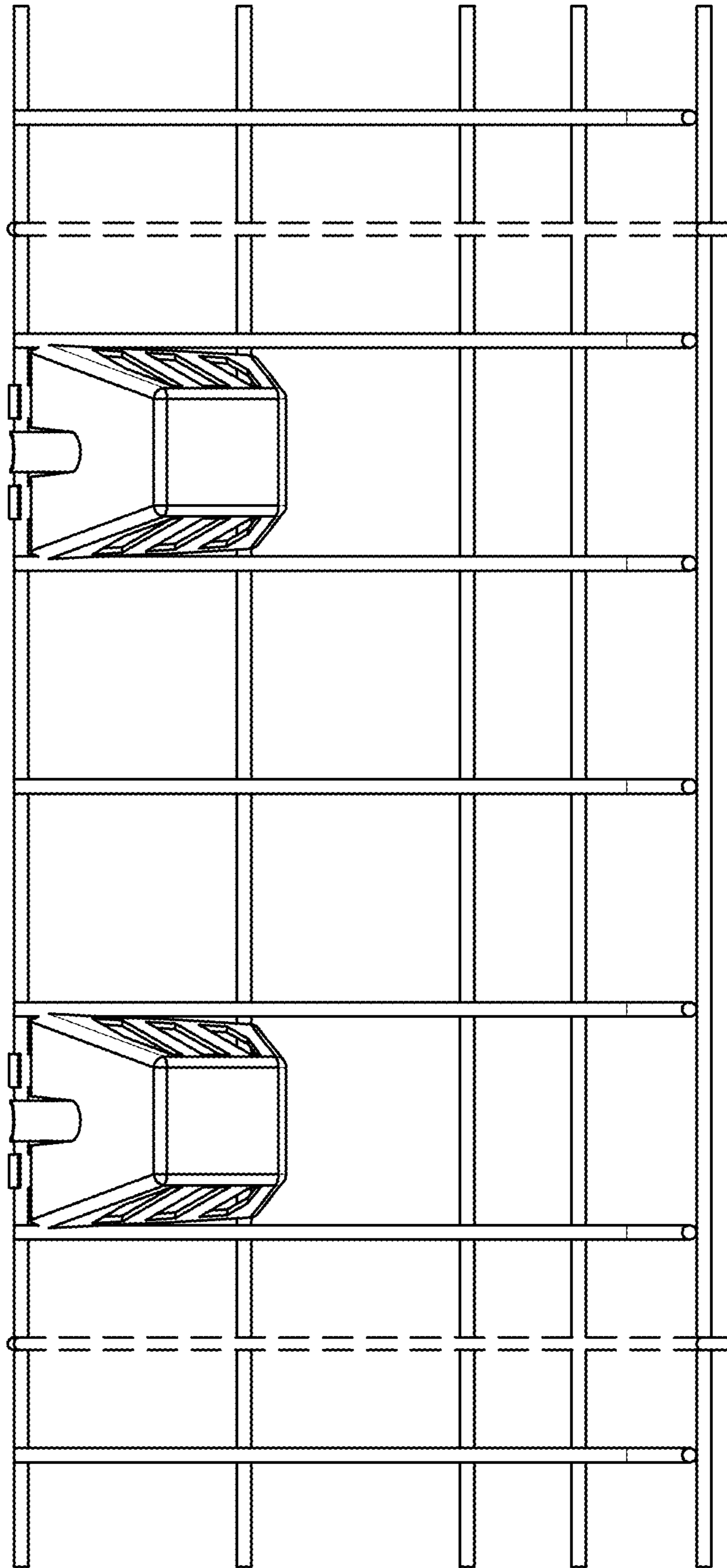


Fig. 4

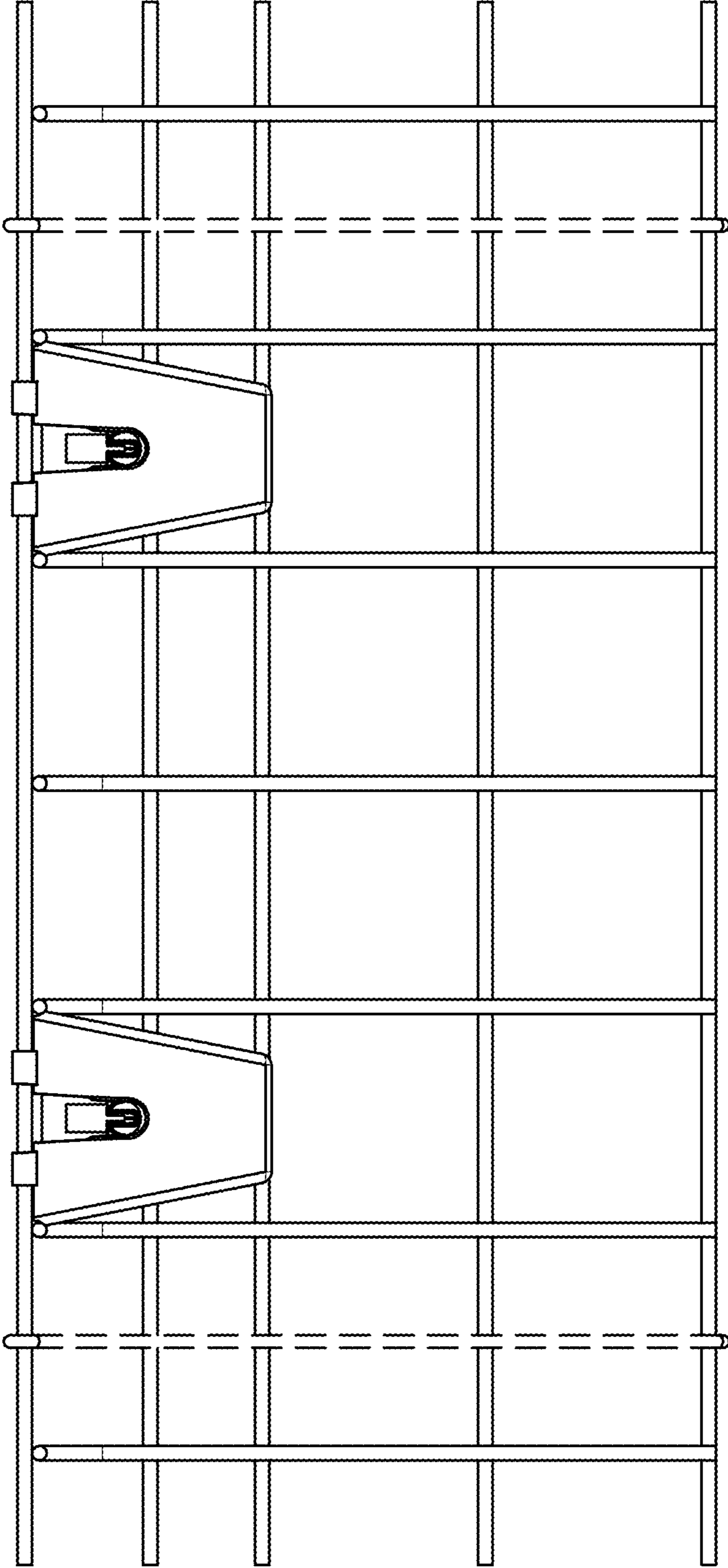


Fig. 5

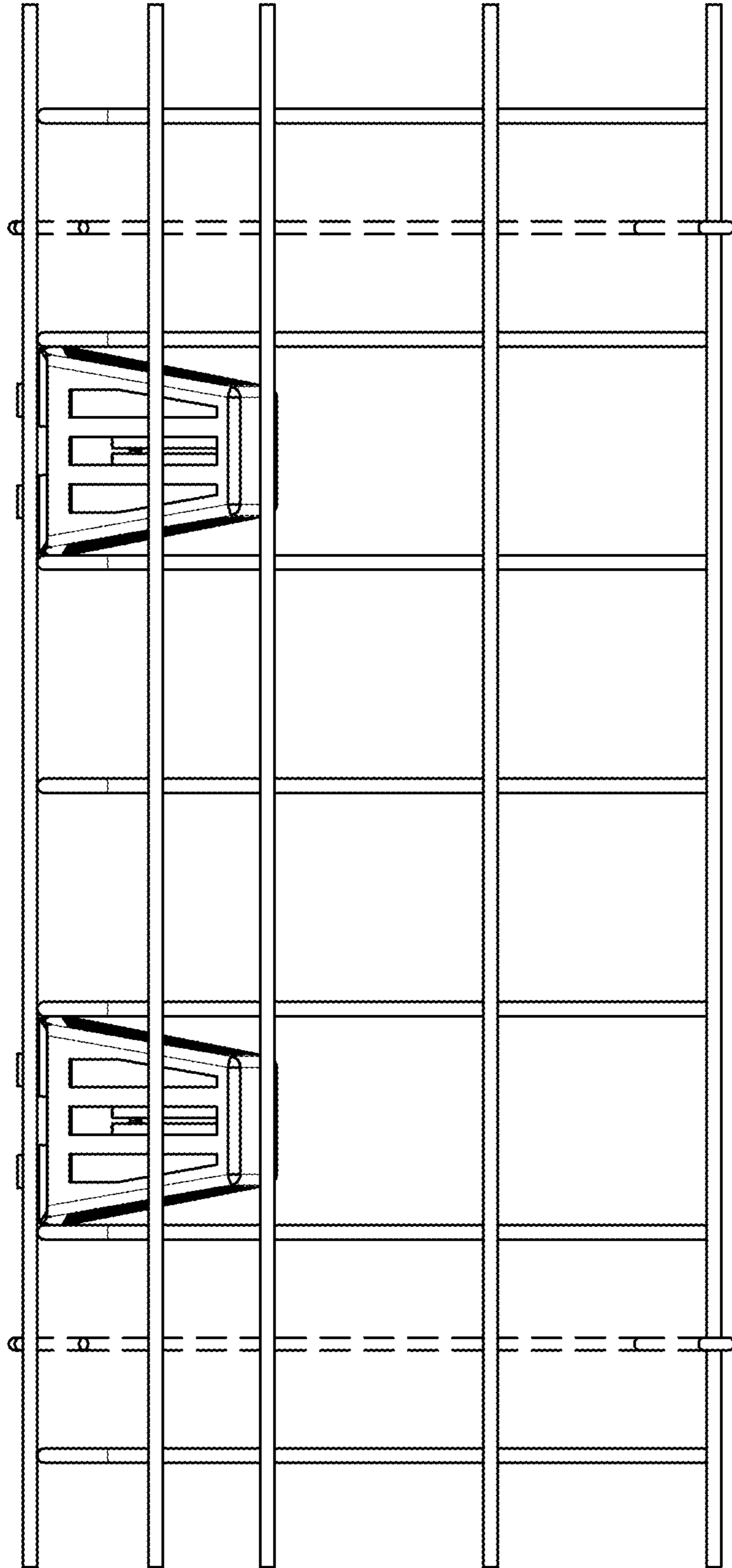


Fig. 6



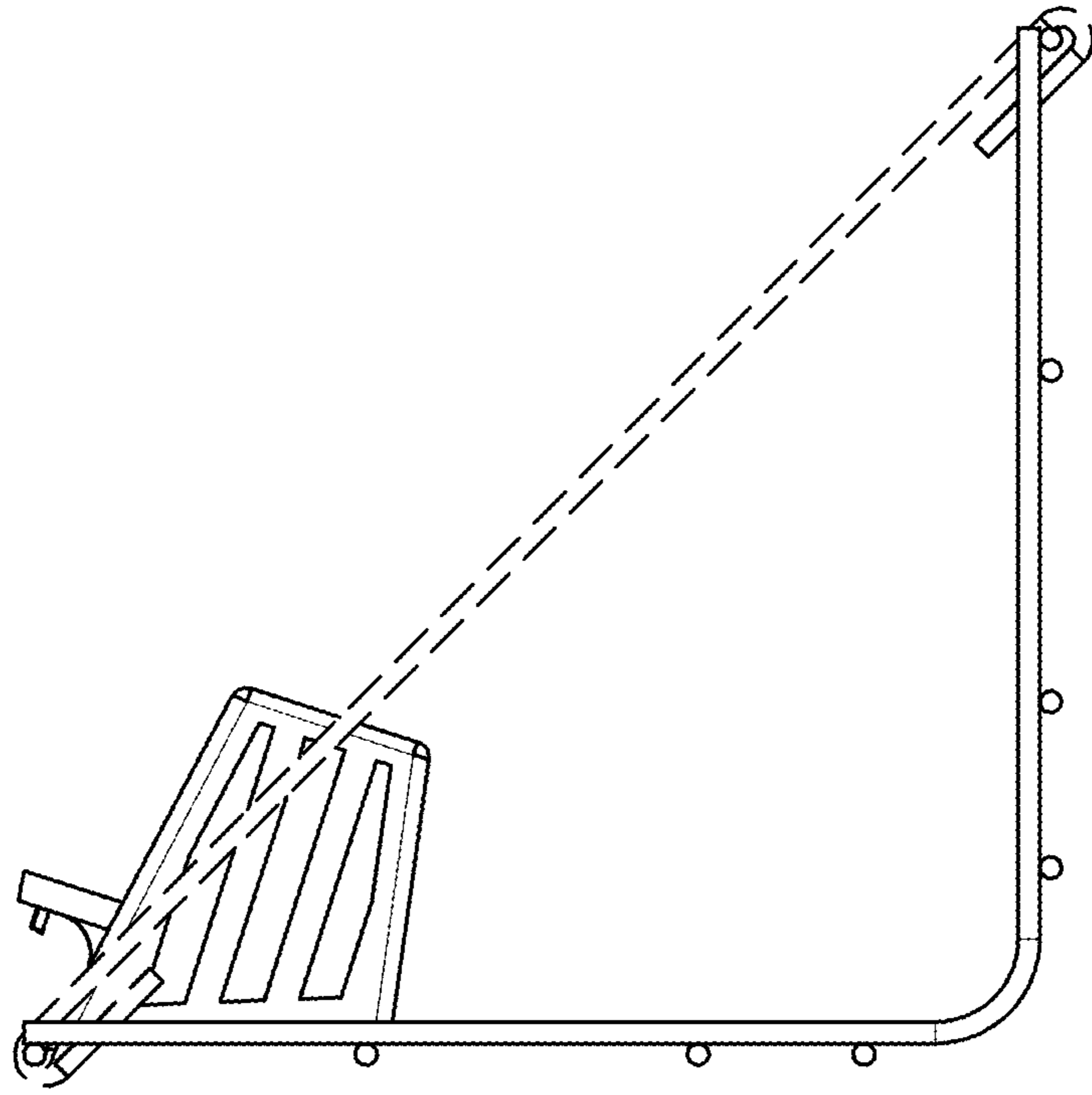


Fig. 8

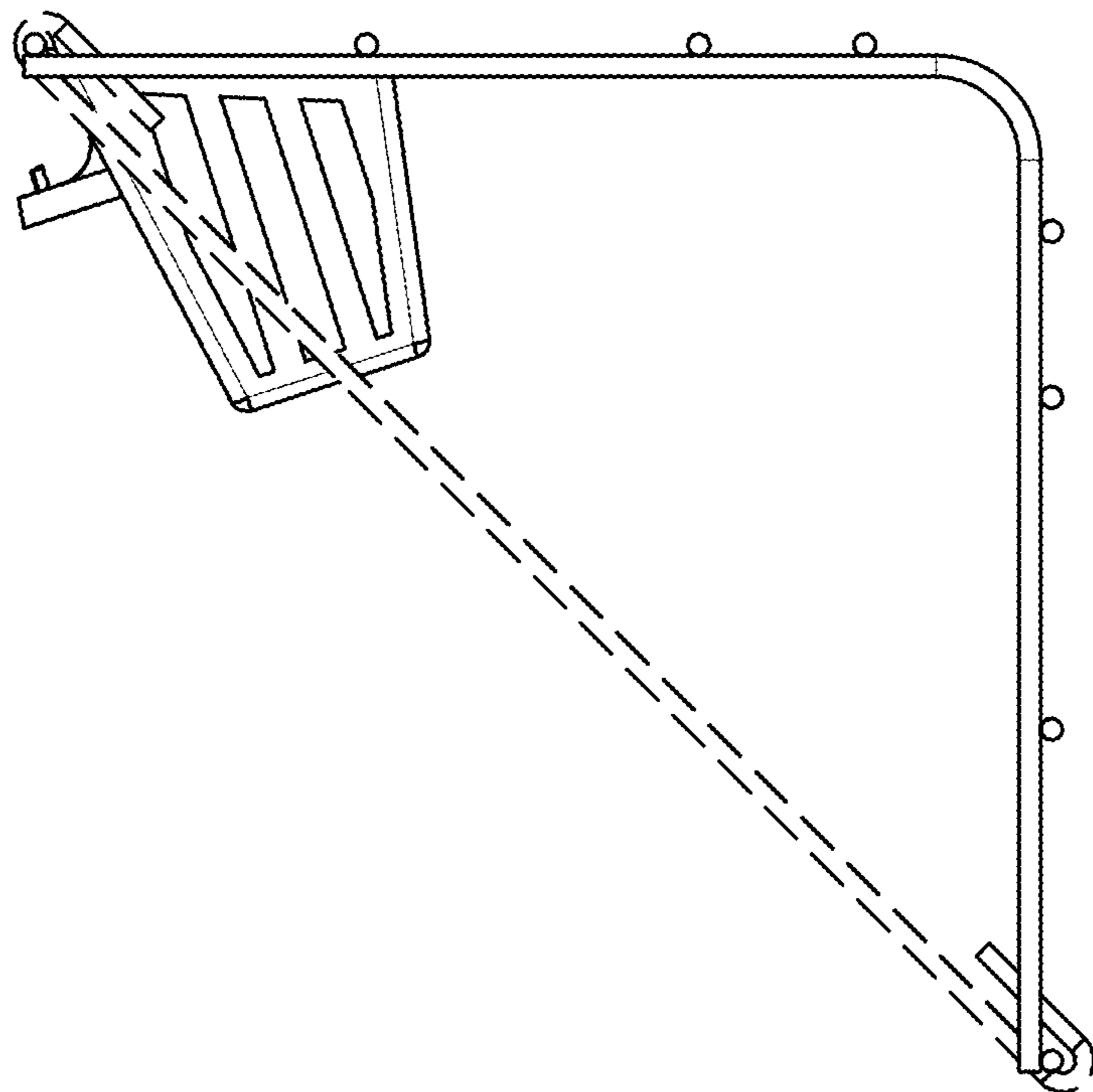


Fig. 7