



US00D948885S

(12) **United States Design Patent**  
**Meneghello et al.**

(10) **Patent No.:** **US D948,885 S**

(45) **Date of Patent:** **\*\* Apr. 19, 2022**

(54) **BED FRAME**

(71) Applicant: **YATAS YATAK VE YORGAN  
SANAYI TICARET ANONIM  
SIRKETI**, Kayseri (TR)

(72) Inventors: **Sandro Meneghello**, Milan (IT);  
**Marco Paolelli**, Milan (IT);  
**Jean-David Damonte**, Arenzano (IT);  
**Haci Nuri Öztaşkin**, Kayseri (TR)

(73) Assignee: **YATAS YATAK VE YORGAN  
SANAYI TICARET ANONIM  
SIRKETI**, Kayseri (TR)

(\*\*) Term: **15 Years**

(21) Appl. No.: **29/759,339**

(22) Filed: **Nov. 22, 2020**

(51) **LOC (13) Cl.** ..... **06-02**

(52) **U.S. Cl.**  
USPC ..... **D6/393**

(58) **Field of Classification Search**  
USPC ..... D6/382, 383, 388, 393, 718, 718.13,  
D6/718.15, 718.23, 392, 718.22  
CPC ..... A47C 19/021; A47C 19/022; A47C 19/00  
See application file for complete search history.

(56) **References Cited**

U.S. PATENT DOCUMENTS

- D93,439 S \* 10/1934 Bel Geddes et al. .... D6/718.22
- 2,541,194 A \* 2/1951 Bornhuetter ..... A47C 19/005  
5/131
- 4,501,033 A \* 2/1985 Kessel ..... A47C 19/021  
5/200.1
- D450,471 S \* 11/2001 Dordoni ..... D6/393
- D493,975 S \* 8/2004 Juneau ..... D6/393

- D495,521 S \* 9/2004 Dordoni ..... D6/393
- D527,926 S \* 9/2006 Domack ..... D6/393
- 8,850,638 B1 \* 10/2014 Suh ..... A47C 19/005  
5/201
- D791,495 S \* 7/2017 Everson ..... D6/393
- D875,421 S \* 2/2020 Bernhardt ..... D6/392
- D903,364 S \* 12/2020 Christiansen ..... D6/393
- D908,412 S \* 1/2021 Jurcenko ..... D6/718.22
- 2021/0259431 A1 \* 8/2021 Wang ..... A47C 19/005
- 2021/0282564 A1 \* 9/2021 Chen ..... A47C 19/005

**OTHER PUBLICATIONS**

“Twitter—Enza Home.” Found online Dec. 9, 2021 at www.twitter.com. Post dated Jun. 26, 2018. Retrieved from URL: [https://twitter.com/Enza\\_Home/status/1011617063868207104](https://twitter.com/Enza_Home/status/1011617063868207104) (Year: 2018).\*

“HomeFare Queen One Box Channeled Wall Upholstered Bed.” Found online Dec. 9, 2021 at www.walmart.com. Product reviewed Mar. 19, 2021. Retrieved from URL: <https://www.walmart.com/ip/HomeFare-Queen-One-Box-Channeled-Wall-Upholstered-Bed-Emerald-Green/292726294> (Year: 2021).\*

(Continued)

*Primary Examiner* — Mary Ann Calabrese

*Assistant Examiner* — Katelin G Kloberg

(74) *Attorney, Agent, or Firm* — The Morales Law Firm;  
Joseph L. Morales

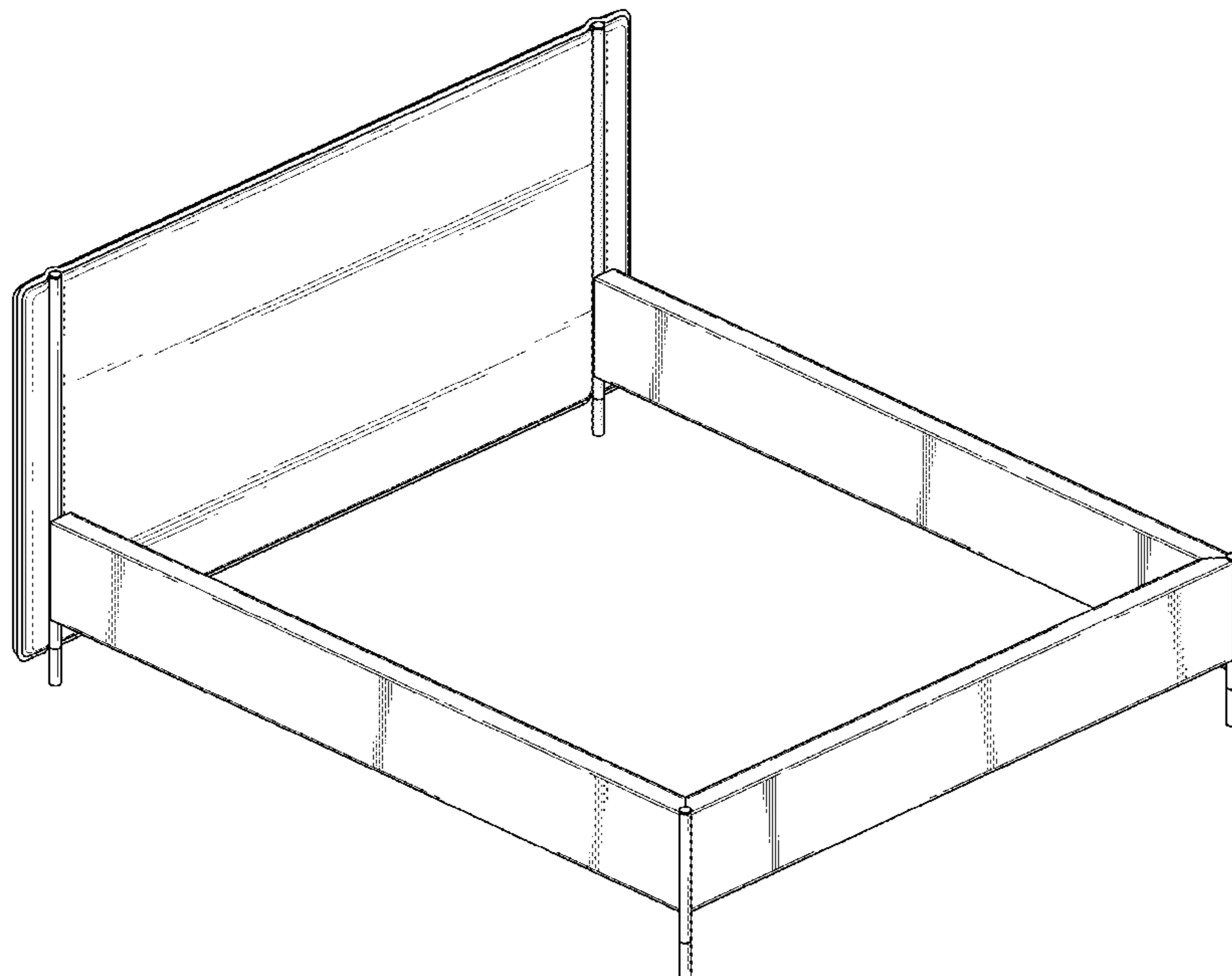
(57) **CLAIM**

We claim the ornamental design for a bed frame, as shown.

**DESCRIPTION**

FIG. 1 is a perspective view of a bed frame.  
FIG. 2 is a right side view thereof.  
FIG. 3 is a left side view thereof.  
FIG. 4 is a back view thereof.  
FIG. 5 is a front view thereof; and,  
FIG. 6 is a top view thereof.

**1 Claim, 6 Drawing Sheets**



(56)

**References Cited**

OTHER PUBLICATIONS

“Connery Modern Extended Headboard Platform Bed.” Found online Dec. 9, 2021 at [www.houzz.com](http://www.houzz.com). Product reviewed May 21, 2019. Retrieved from URL: <https://www.houzz.com/products/connery-modern-extended-headboard-platform-bed-king-cali-king-prvw-vr~98398191> (Year: 2019).\*

“Andes Wide Bed.” Found online Dec. 9, 2021 at [www.westelm.com](http://www.westelm.com). Product reviewed Nov. 11, 2019. Retrieved from URL: <https://www.westelm.com/products/andes-wide-bed-h4642/> (Year: 2019).\*

\* cited by examiner

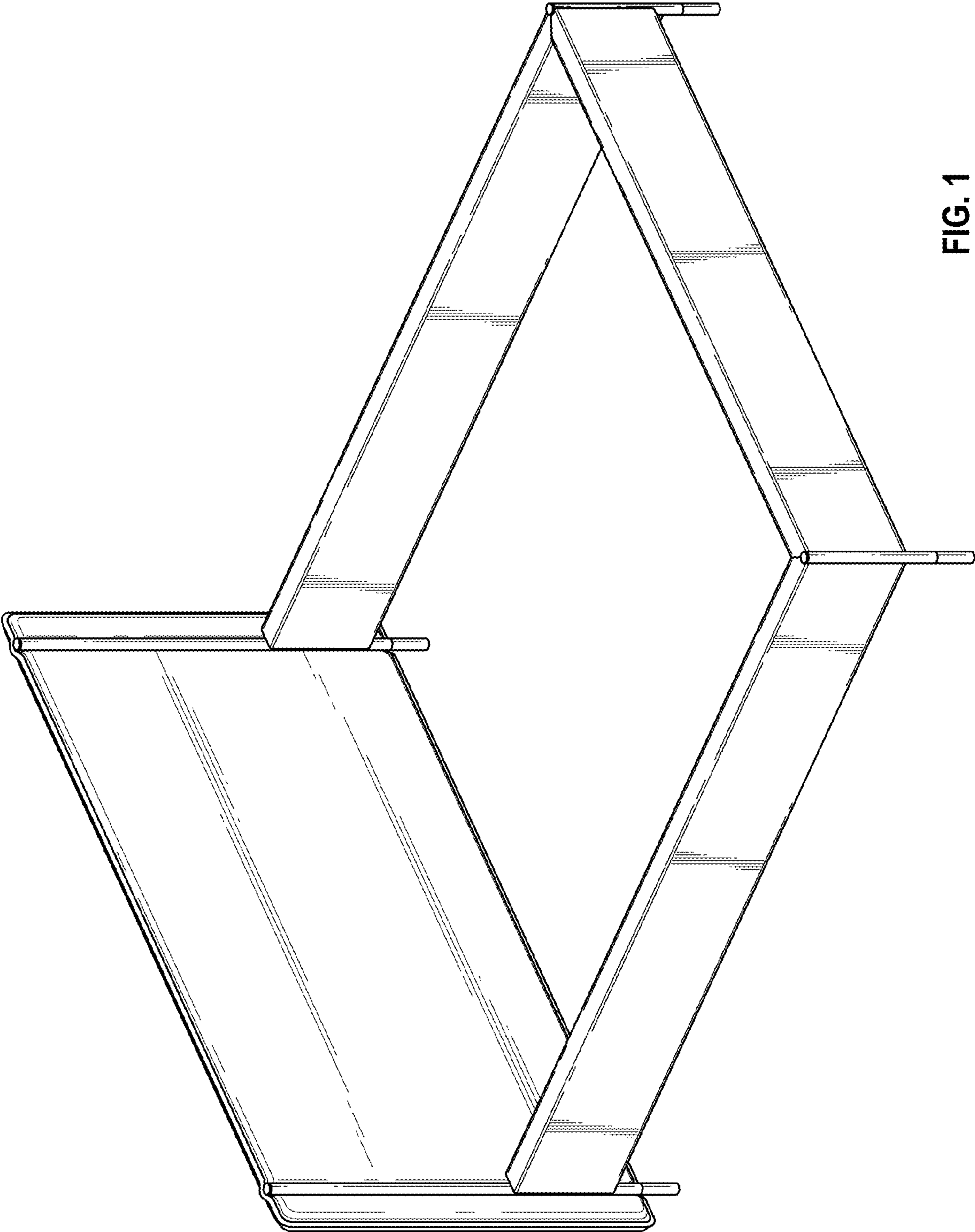


FIG. 1

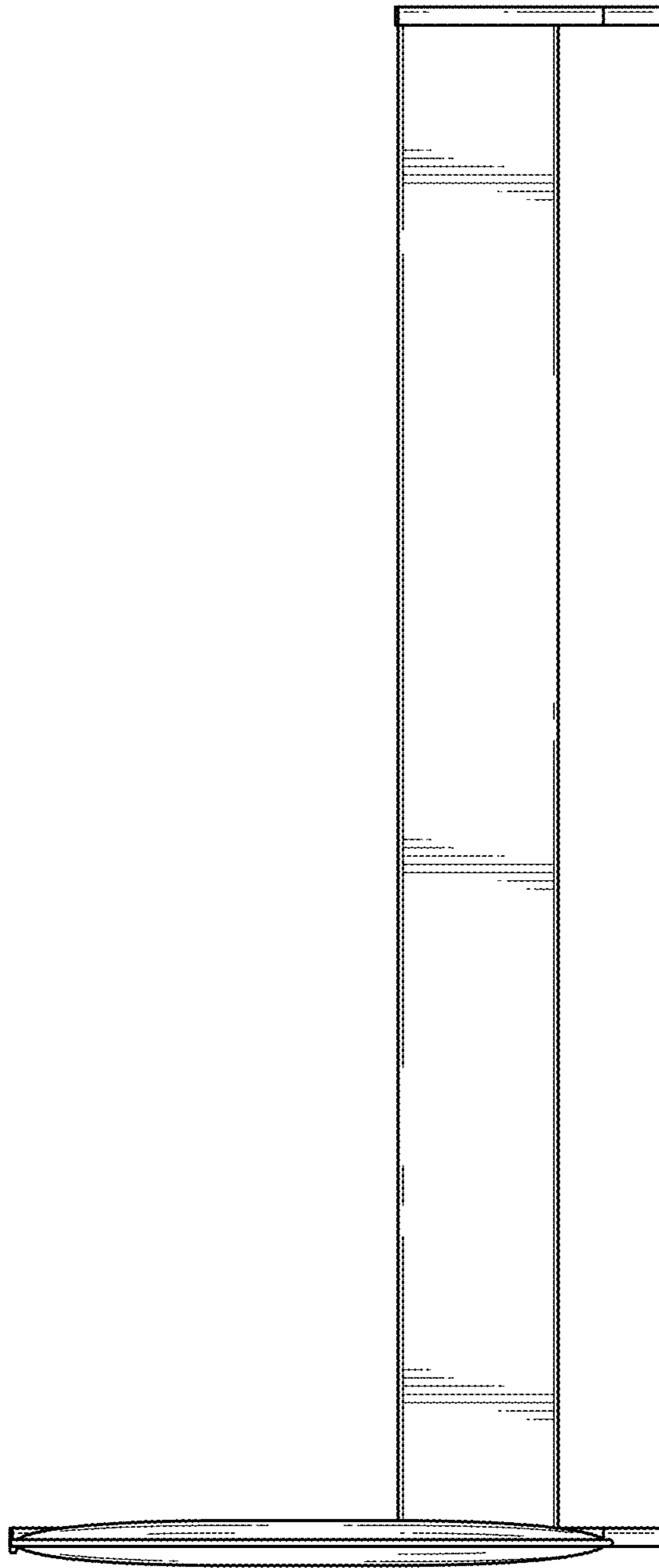


FIG. 2

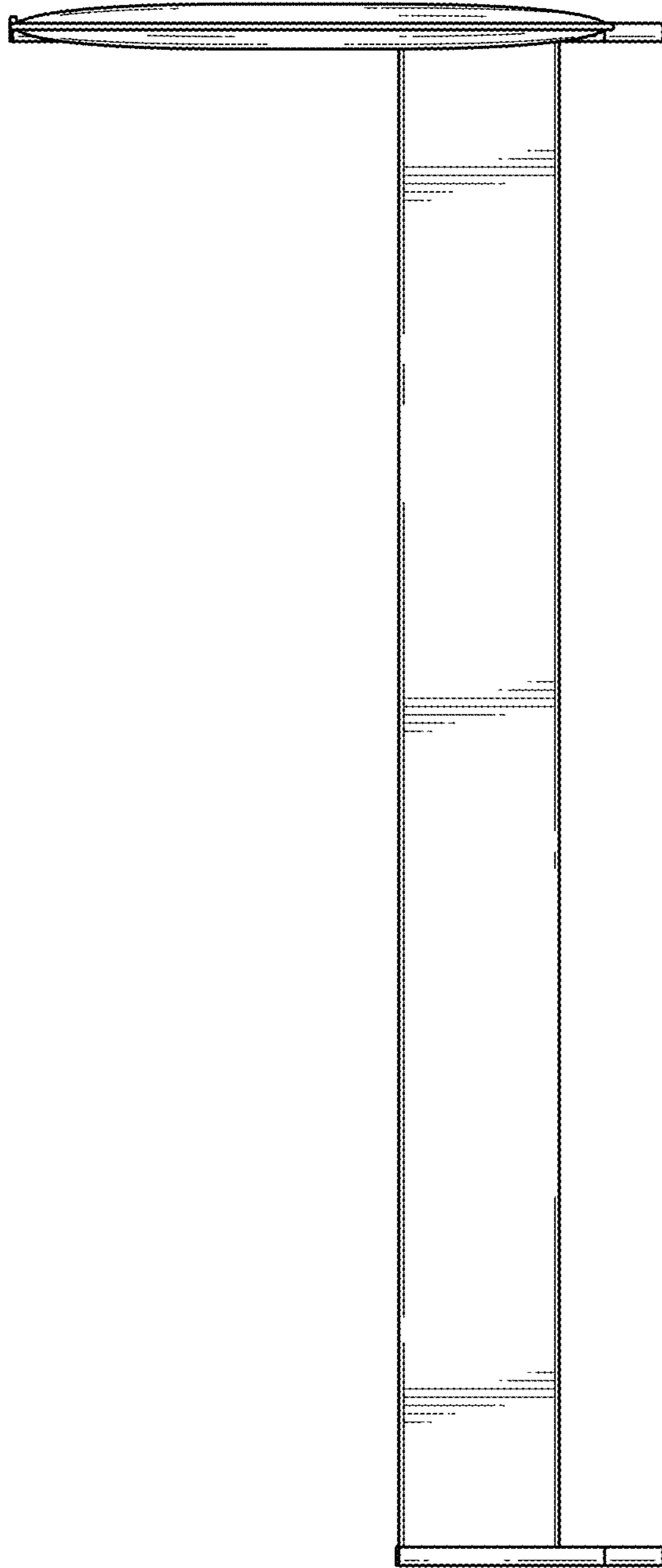


FIG. 3

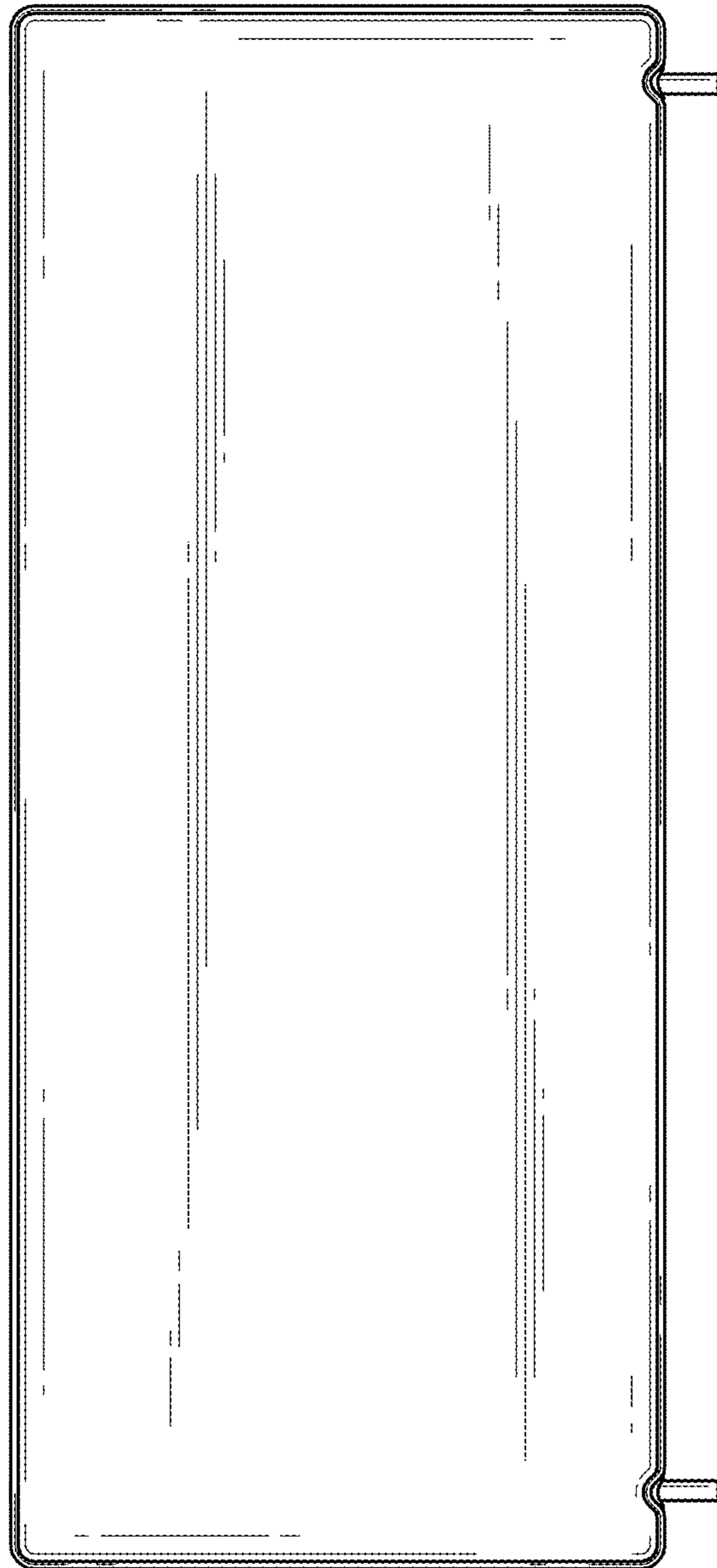


FIG. 4

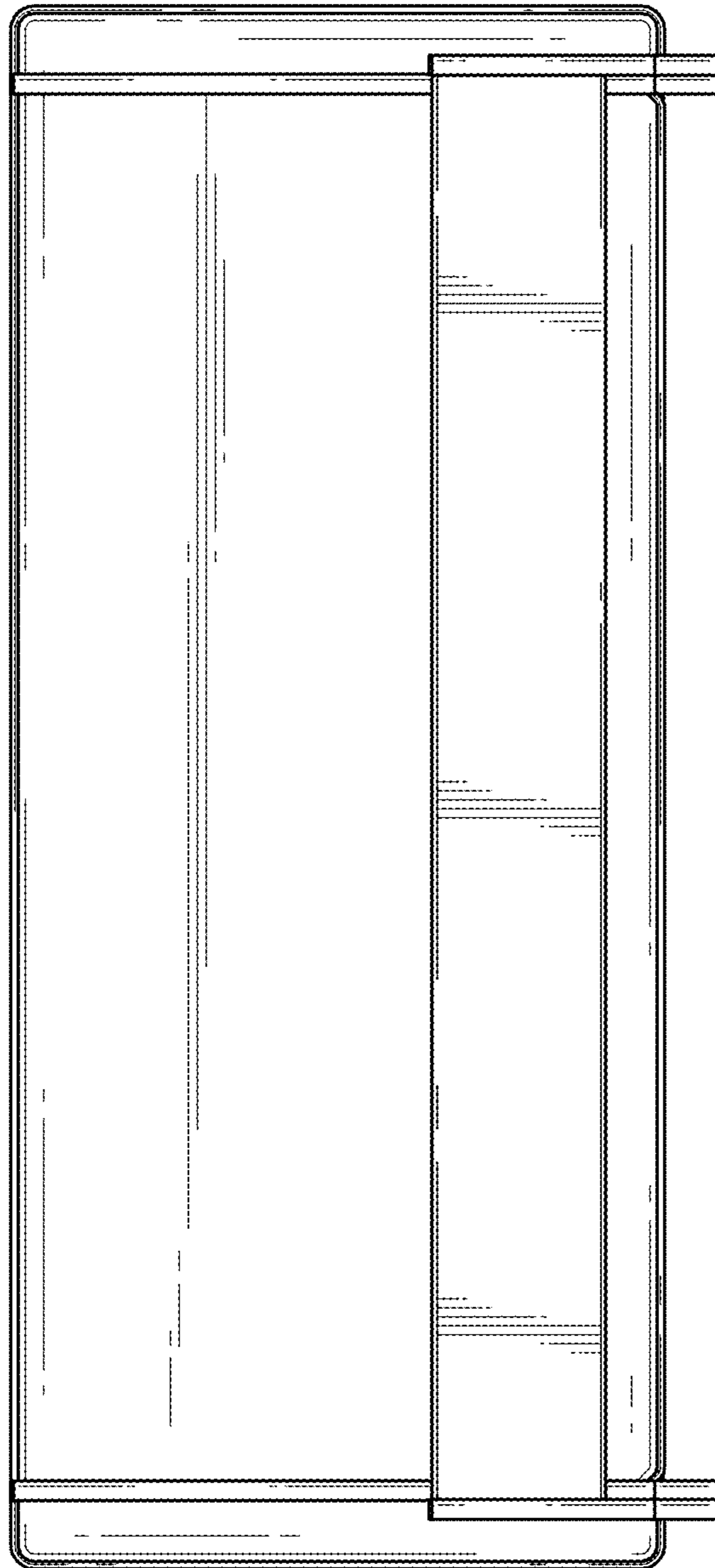


FIG. 5

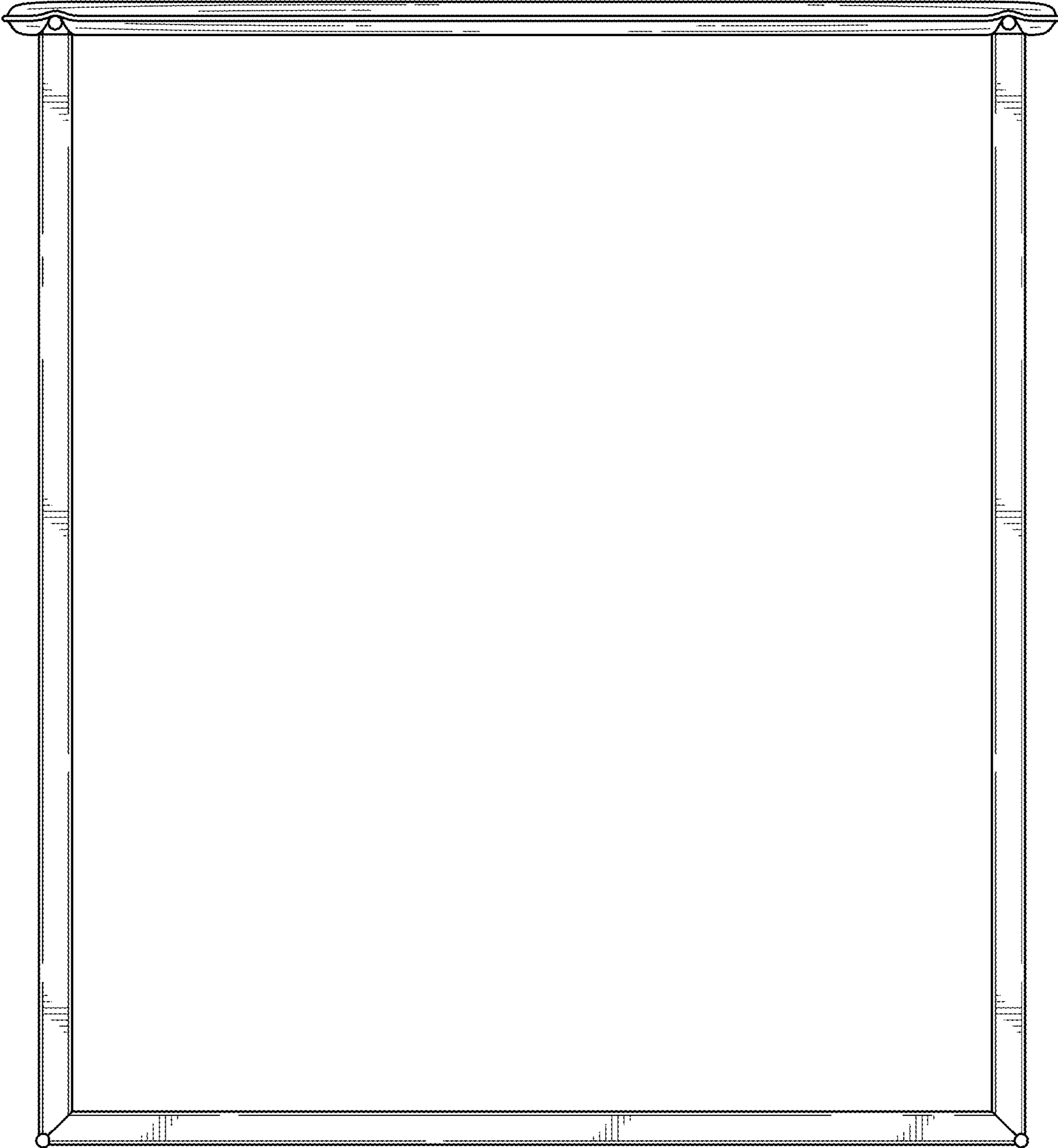


FIG. 6