



US00D948884S

(12) **United States Design Patent** (10) **Patent No.:** **US D948,884 S**
Meneghello et al. (45) **Date of Patent:** **** Apr. 19, 2022**

(54) **BED FRAME**

D840,702 S * 2/2019 Ho D6/369
D853,144 S * 7/2019 Ho D6/382
D899,804 S * 10/2020 Carter D6/393

(71) Applicant: **YATAS YATAK VE YORGAN SANAYI TICARET ANONIM SIRKETI**, Kayseri (TR)

OTHER PUBLICATIONS

(72) Inventors: **Sandro Meneghello**, Milan (IT);
Marco Paolelli, Milan (IT);
Jean-David Damonte, Arenzano (IT);
Haci Nuri Öztaşkin, Kayseri (TR)

“Facebook—IDesign Oman.” Found online Dec. 4, 2021 at www.facebook.com. Post dated Apr. 11, 2020. Retrieved from URL: <https://www.facebook.com/iddesignoman/photos/the-roll-bed-represents-a-combination-of-comfort-and-luxury-with-its-soft-curved-3433236666705052/> (Year: 2020).*

(73) Assignee: **YATAS YATAK VE YORGAN SANAYI TICARET ANONIM SIRKETI**, Kayseri (TR)

“Tufjord Upholstered bed frame.” Found online Dec. 4, 2021 at www.ikea.com. Product reviewed Dec. 9, 2020. Retrieved from URL: <https://www.ikea.com/us/en/p/tufjord-upholstered-bed-frame-djuparp-dark-green-90446426/> (Year: 2020).*

(**) Term: **15 Years**

“The 17 Best Modern Platform Beds for 2021.” Found online Dec. 4, 2021 at www.moderndigs.com. Page dated Jun. 10, 2021. Retrieved from URL: <https://www.moderndigsfurniture.com/modernfurnitureblog.html?article=Best-Platform-Beds> (Year: 2021).*

(21) Appl. No.: **29/759,338**

* cited by examiner

(22) Filed: **Nov. 22, 2020**

(51) **LOC (13) Cl.** **06-02**

Primary Examiner — Mary Ann Calabrese

(52) **U.S. Cl.**

Assistant Examiner — Katelin G Kloberg

USPC **D6/393**

(74) *Attorney, Agent, or Firm* — The Morales Law Firm;

(58) **Field of Classification Search**

Joseph L. Morales

USPC D6/382, 383, 388, 393, 718, 718.13,
D6/718.15, 718.23

(57) **CLAIM**

CPC A47C 19/021; A47C 19/022; A47C 19/00
See application file for complete search history.

We claim the ornamental design for a bed frame, as shown.

DESCRIPTION

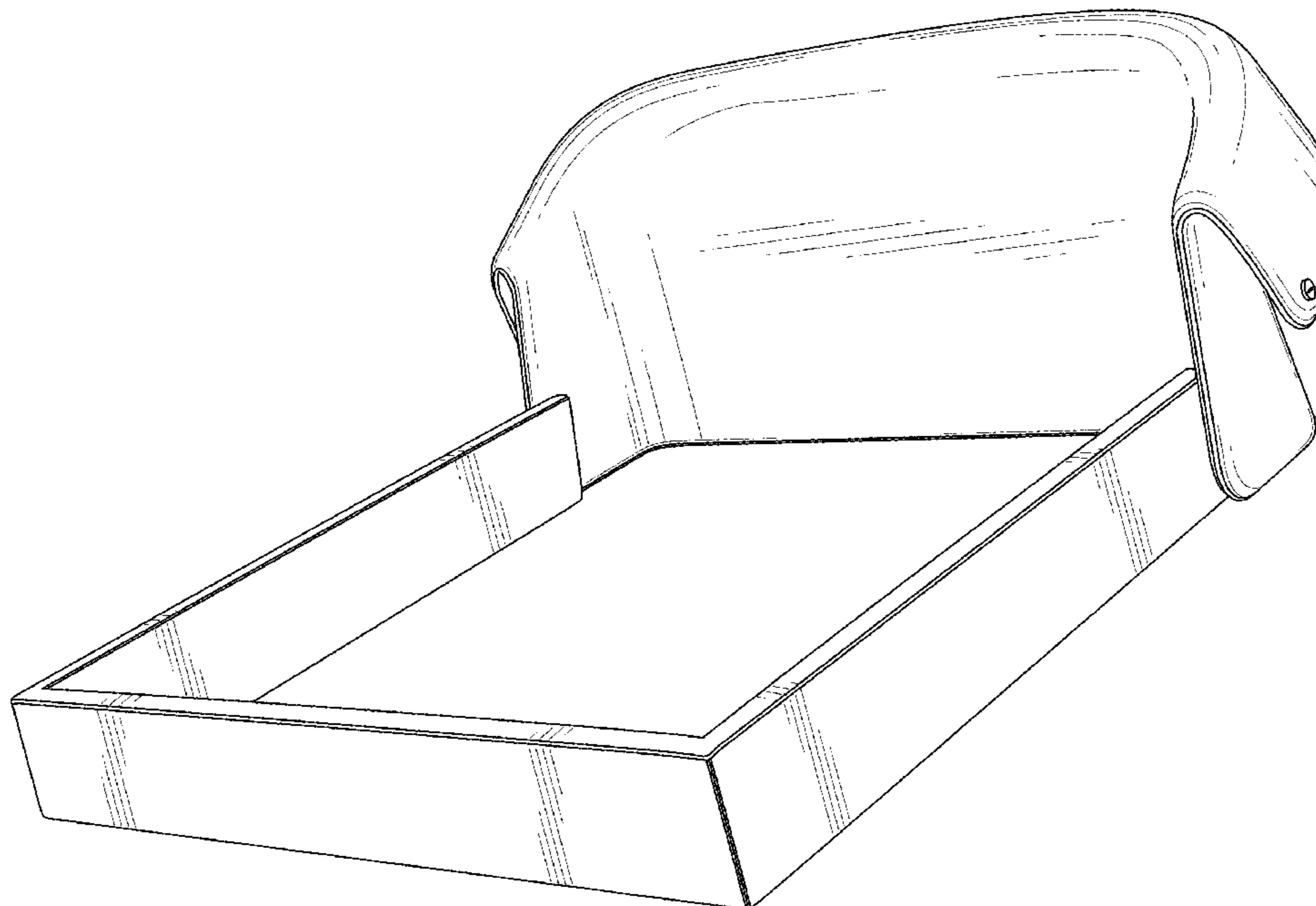
(56) **References Cited**

U.S. PATENT DOCUMENTS

D545,078 S * 6/2007 Jourdan D6/393
D617,106 S * 6/2010 Giovanetti D6/361
D644,851 S * 9/2011 Colombo D6/393
D660,045 S * 5/2012 Lenney D6/393
D717,064 S * 11/2014 Jourdan D6/393
D727,053 S * 4/2015 Yoon D6/393

FIG. 1 is a perspective view of a bed frame.
FIG. 2 is a front view thereof.
FIG. 3 is a back view thereof.
FIG. 4 is a right side view thereof.
FIG. 5 is a left side view thereof; and,
FIG. 6 is a top view thereof.

1 Claim, 6 Drawing Sheets



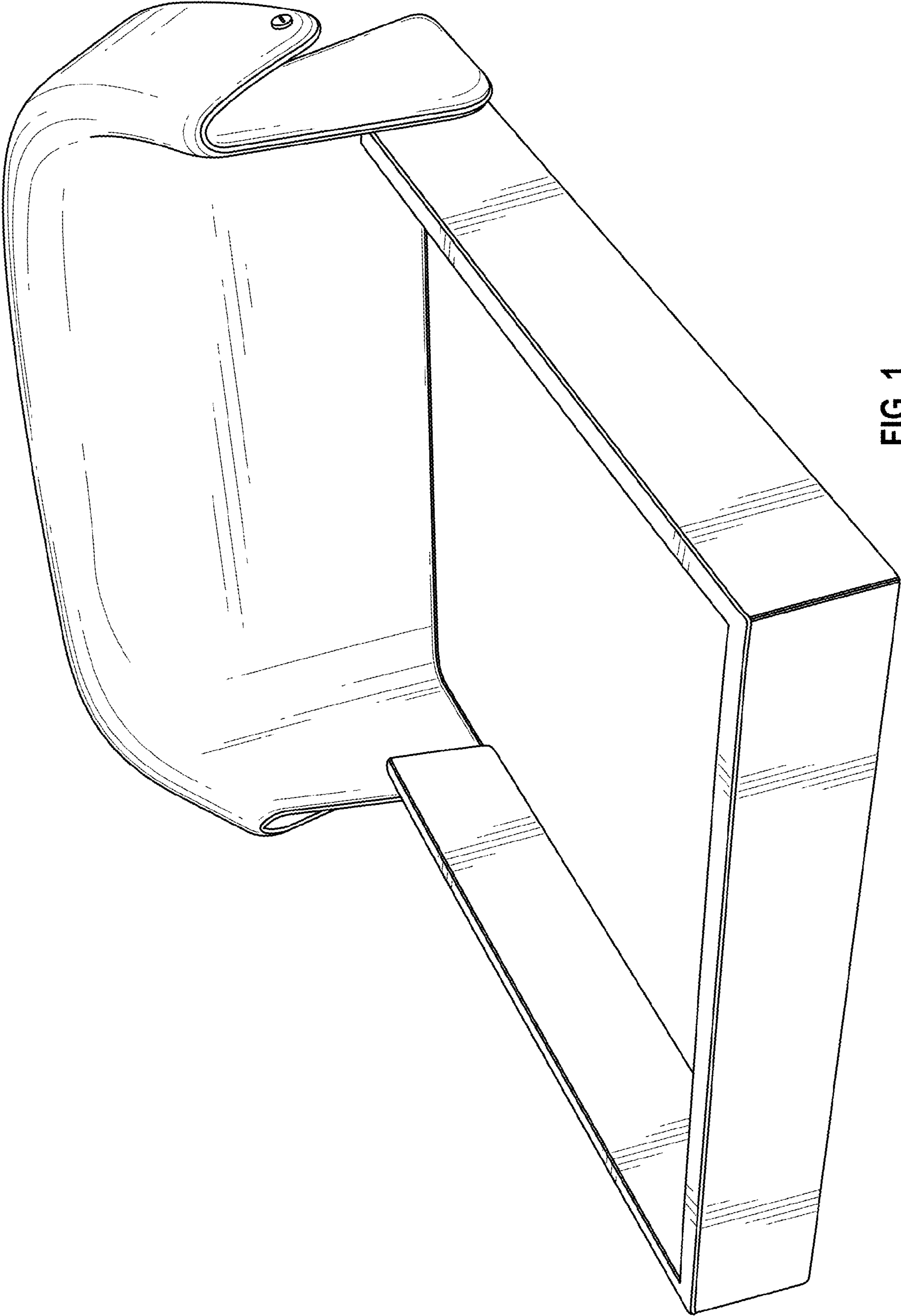


FIG. 1

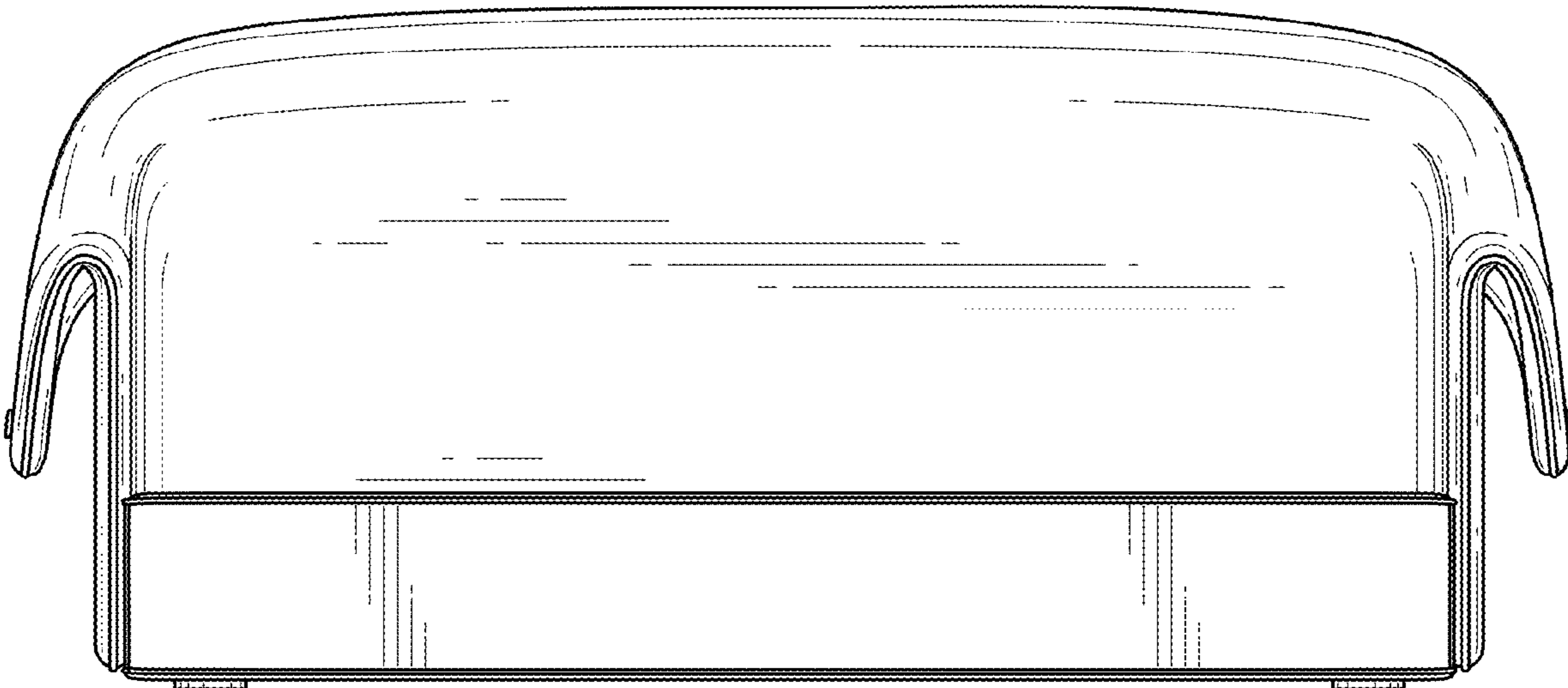


FIG. 2

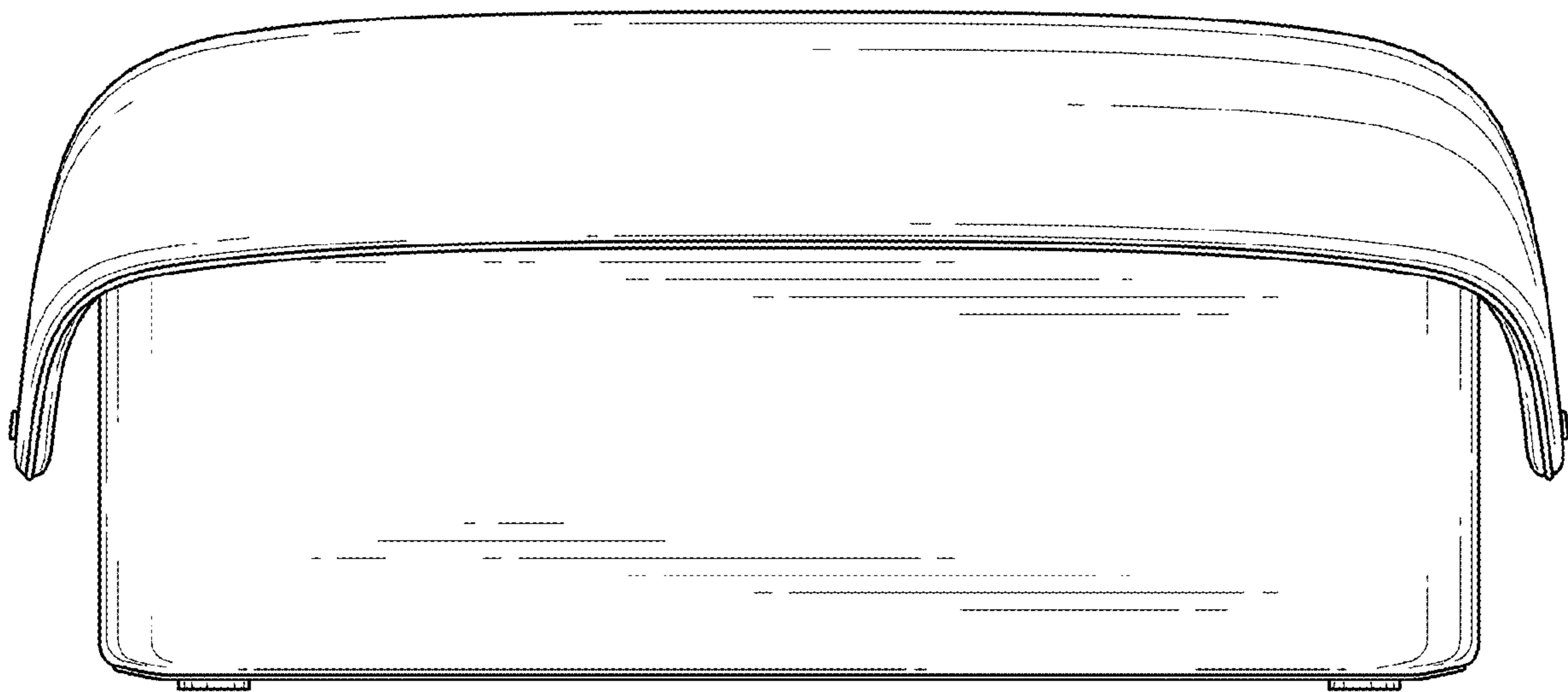


FIG. 3

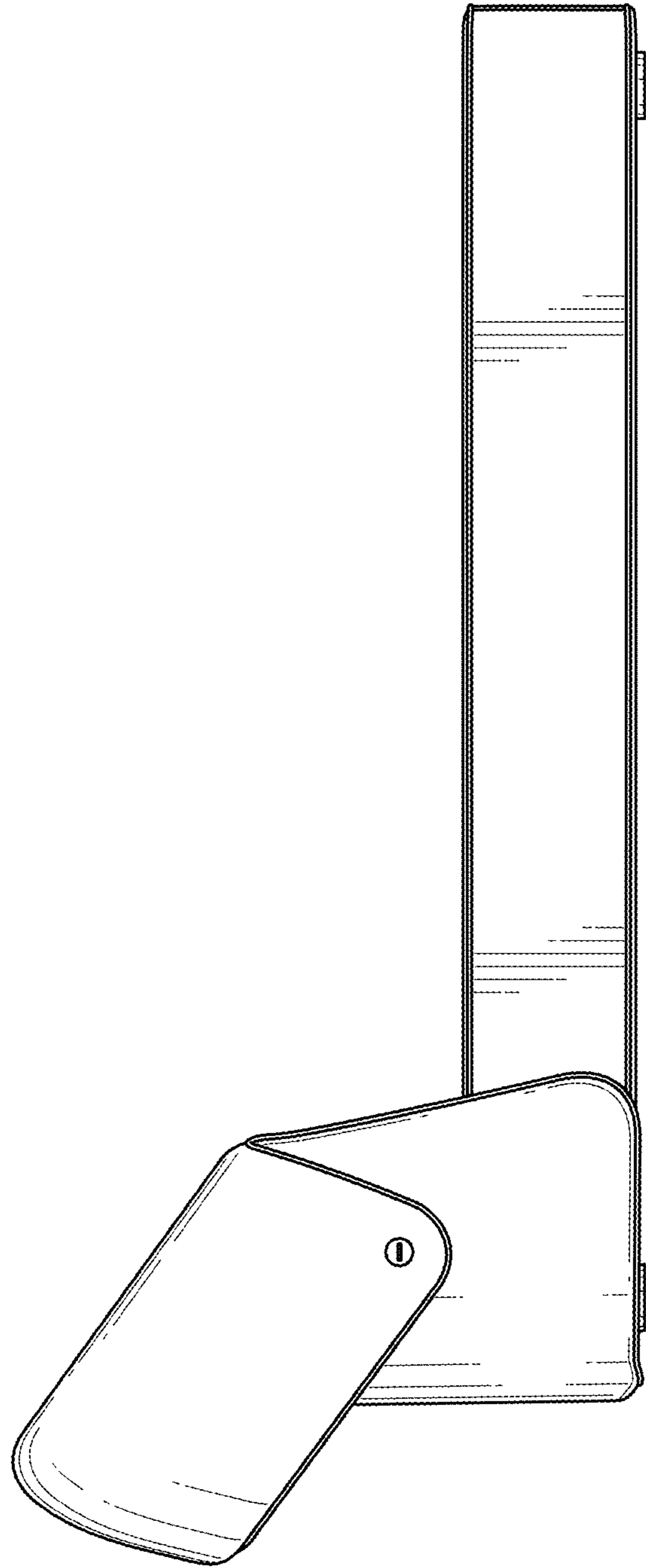


FIG. 4

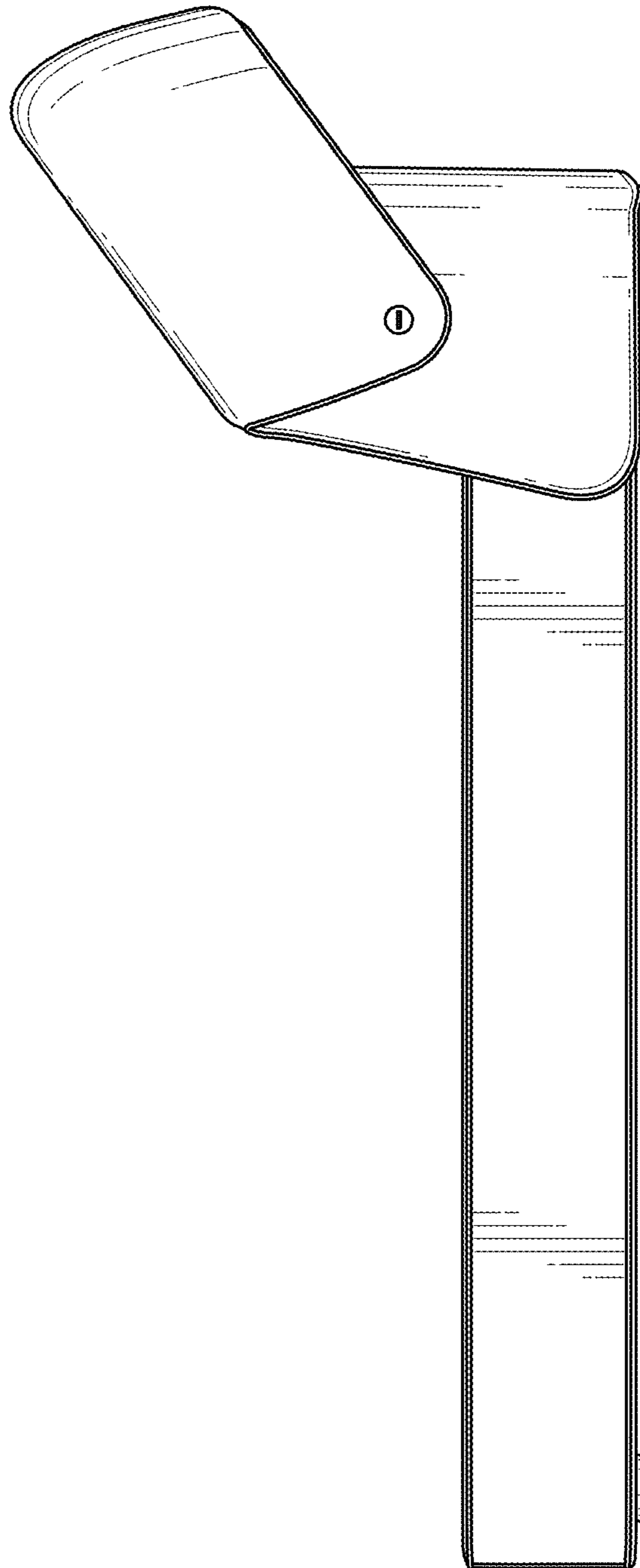


FIG. 5

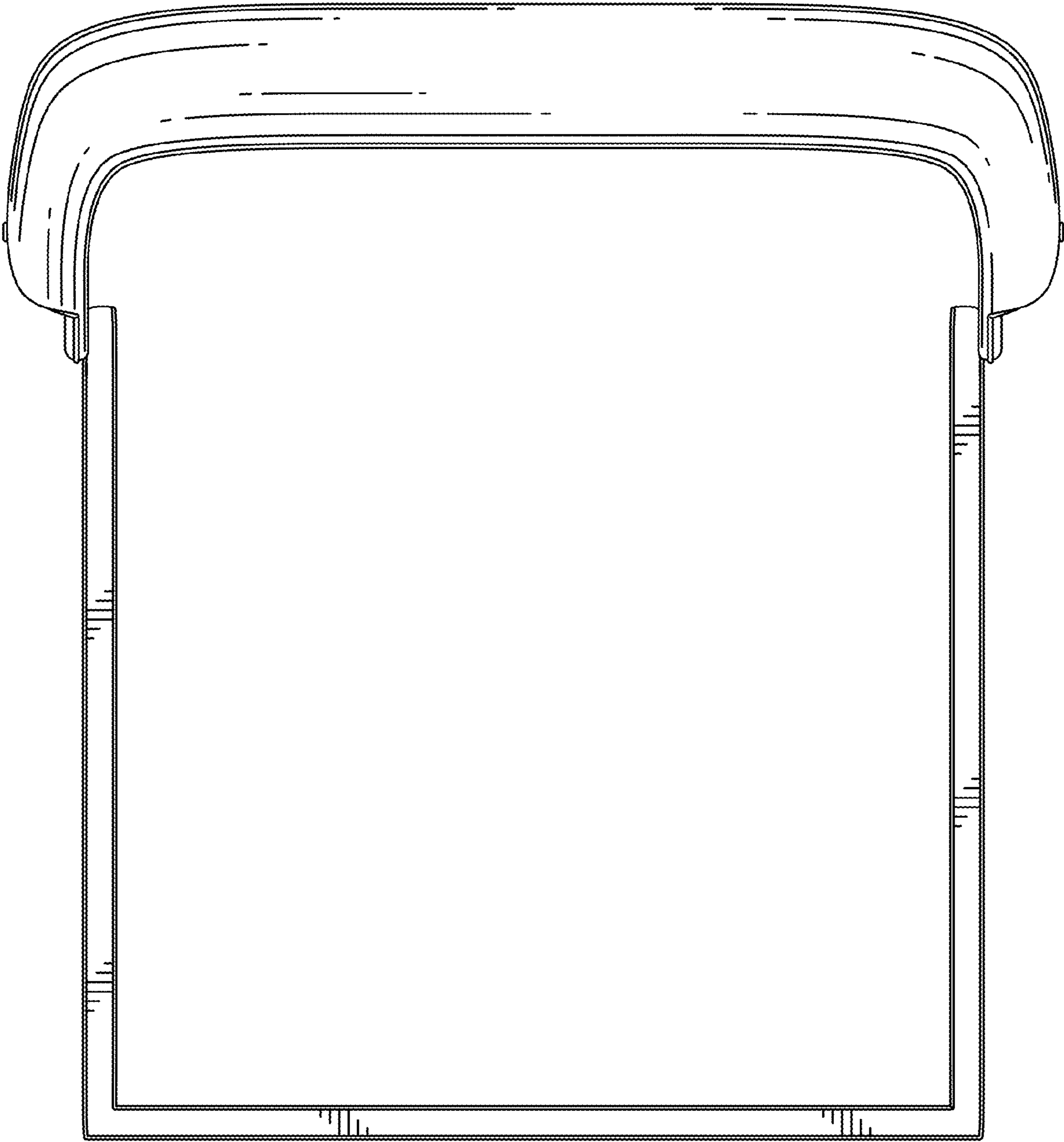


FIG. 6