



US00D948878S

(12) **United States Design Patent** (10) **Patent No.:** **US D948,878 S**  
**Andersen et al.** (45) **Date of Patent:** **\*\* Apr. 19, 2022**

(54) **SOFA**

FOREIGN PATENT DOCUMENTS

(71) Applicant: **Innovation U.S.A., Inc.**, Mission Viejo, CA (US)

EM 005586005-0009 \* 8/2018  
EM 008536635-0002 \* 5/2021

(72) Inventors: **Per Weiss Andersen**, Randers (DK);  
**Emil Højfeldt**, Randers (DK)

OTHER PUBLICATIONS

(73) Assignee: **Innovation U.S.A., Inc.**, Mission Viejo, CA (US)

Rhinehart 72" Rolled Arm Sofa [online], [site visited Jul. 29, 2021]. Available from internet, URL: <<https://www.wayfair.com/furniture/pdp/three-posts-rhinehart-72-rolled-arm-sofa-w003423727.html>> (Year: 2021).\*

(\*\*) Term: **15 Years**

(Continued)

(21) Appl. No.: **29/740,312**

*Primary Examiner* — Cynthia Ramirez

(22) Filed: **Jul. 2, 2020**

*Assistant Examiner* — Xavier Marti-Santos

(30) **Foreign Application Priority Data**

(74) *Attorney, Agent, or Firm* — Miles & Stockbridge P.C.; David R. Schaffer

Jan. 10, 2020 (EP) ..... 007497425-0007

(51) **LOC (13) Cl.** ..... **06-01**

(57) **CLAIM**

(52) **U.S. Cl.**  
USPC ..... **D6/335**

The ornamental design for a sofa, as shown and described.

(58) **Field of Classification Search**

USPC ..... D6/334–336, 349, 369, 377, 379, 381  
CPC ..... A47C 17/00; A47C 17/02; A47C 17/04;  
A47C 17/045; A47C 17/12; A47C 17/13;  
A47C 17/132; A47C 17/134; A47C  
17/136; A47C 17/16; A47C 17/162; A47C  
17/17; A47C 17/18; A47C 17/86

**DESCRIPTION**

See application file for complete search history.

FIG. 1 is a left front perspective view of a sofa showing our new design;  
FIG. 2 is a left elevational view thereof;  
FIG. 3 is a rear elevational view thereof, the right side elevation being a mirror image;  
FIG. 4 is a left front perspective exploded view, shown in the fully reclined position thereof;  
FIG. 5 is a left front perspective exploded view, shown in the partially reclined position with the arms shown in the non-reclined position thereof;  
FIG. 6 is a left front perspective view, shown in the non-reclined position with the arms shown in the reclined position thereof; and,  
FIG. 7 is a front elevational view, shown in the non-reclined position thereof.

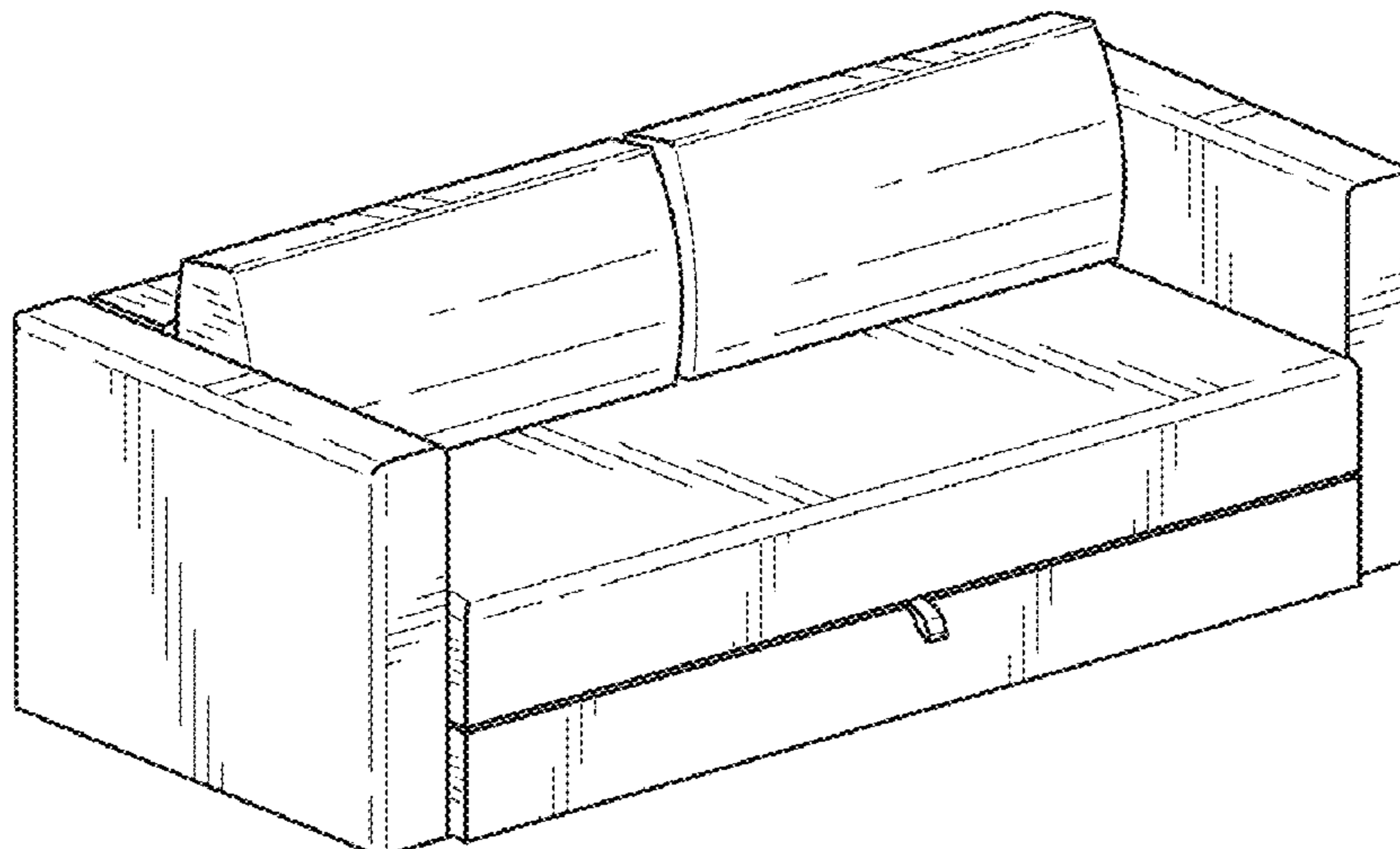
(56) **References Cited**

U.S. PATENT DOCUMENTS

D172,812 S \* 8/1954 Spound ..... D6/381  
D515,334 S \* 2/2006 Natuzzi ..... D6/381  
D541,074 S \* 4/2007 Natuzzi ..... D6/381  
D603,617 S \* 11/2009 Weiss ..... D6/381  
D719,754 S \* 12/2014 Pathiratne ..... D6/381  
D720,943 S \* 1/2015 Pathiratne ..... D6/381  
D720,944 S \* 1/2015 Barber ..... D6/381  
D737,070 S \* 8/2015 Sonmez ..... D6/381  
D811,100 S 2/2018 Andersen

(Continued)

**1 Claim, 3 Drawing Sheets**



(56)

**References Cited**

U.S. PATENT DOCUMENTS

D874,837 S      2/2020 Andersen  
D883,698 S \*    5/2020 Carter ..... D6/381  
2018/0335082 A1\* 11/2018 Andersson ..... F16C 29/02

OTHER PUBLICATIONS

Innovationliving Instagram post [online], [site visited Jul. 29, 2021].  
Available from internet, URL: <<https://www.instagram.com/p/BuTos1bHmN7/>> (Year: 2019).\*

Otris Sofa Bed w/Arms [online], [site visited Jul. 29, 2021].  
Available from internet, URL: <<https://futonland.com/product/otris-sofa-bed-arms-full-size-melange-light-gray>> (Year: 2021).\*

Innovation Living Collection Catalog 2018/19; Expand Your Living Space; pp. 62-65 and p. 99.

\* cited by examiner

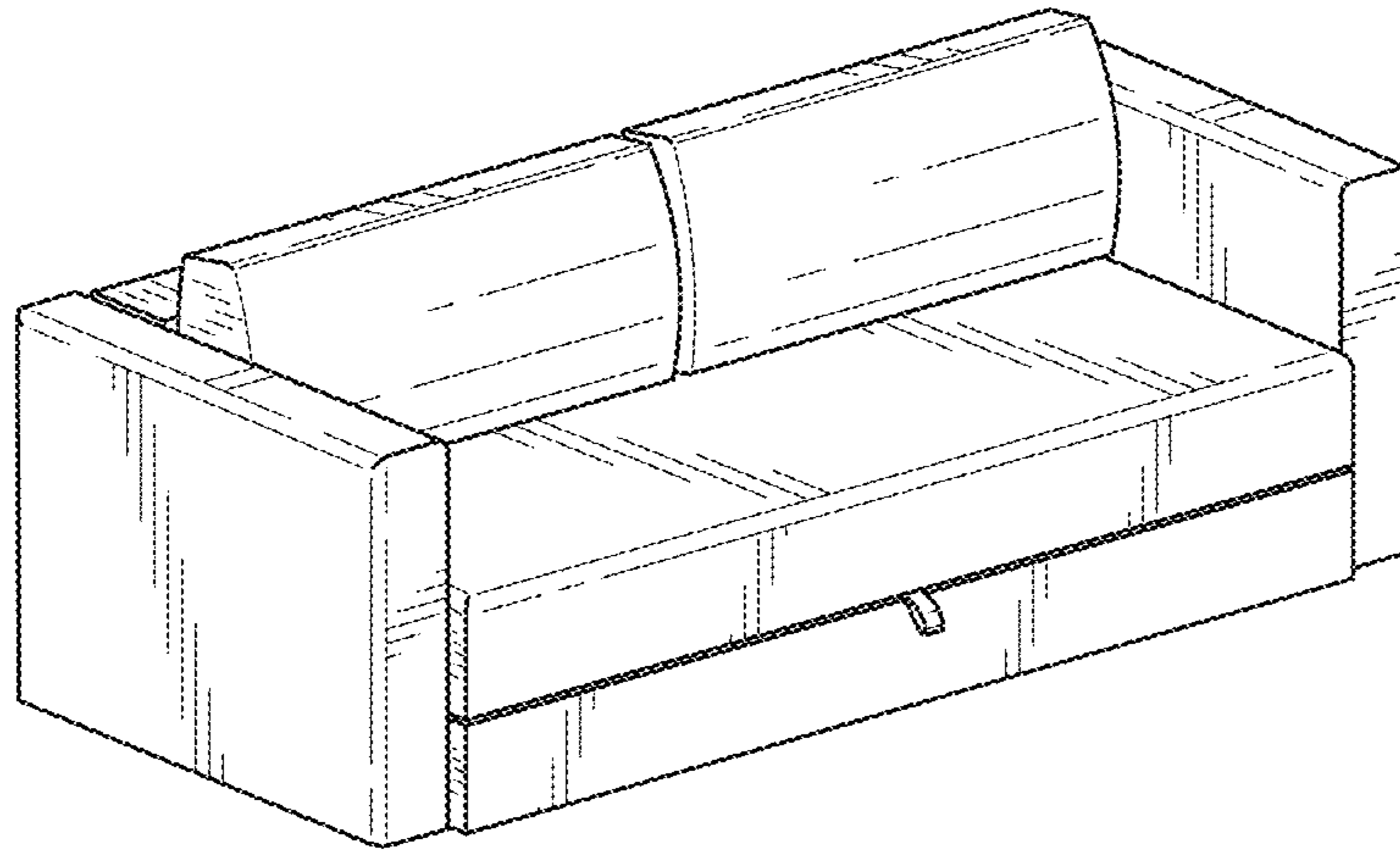


FIG. 1

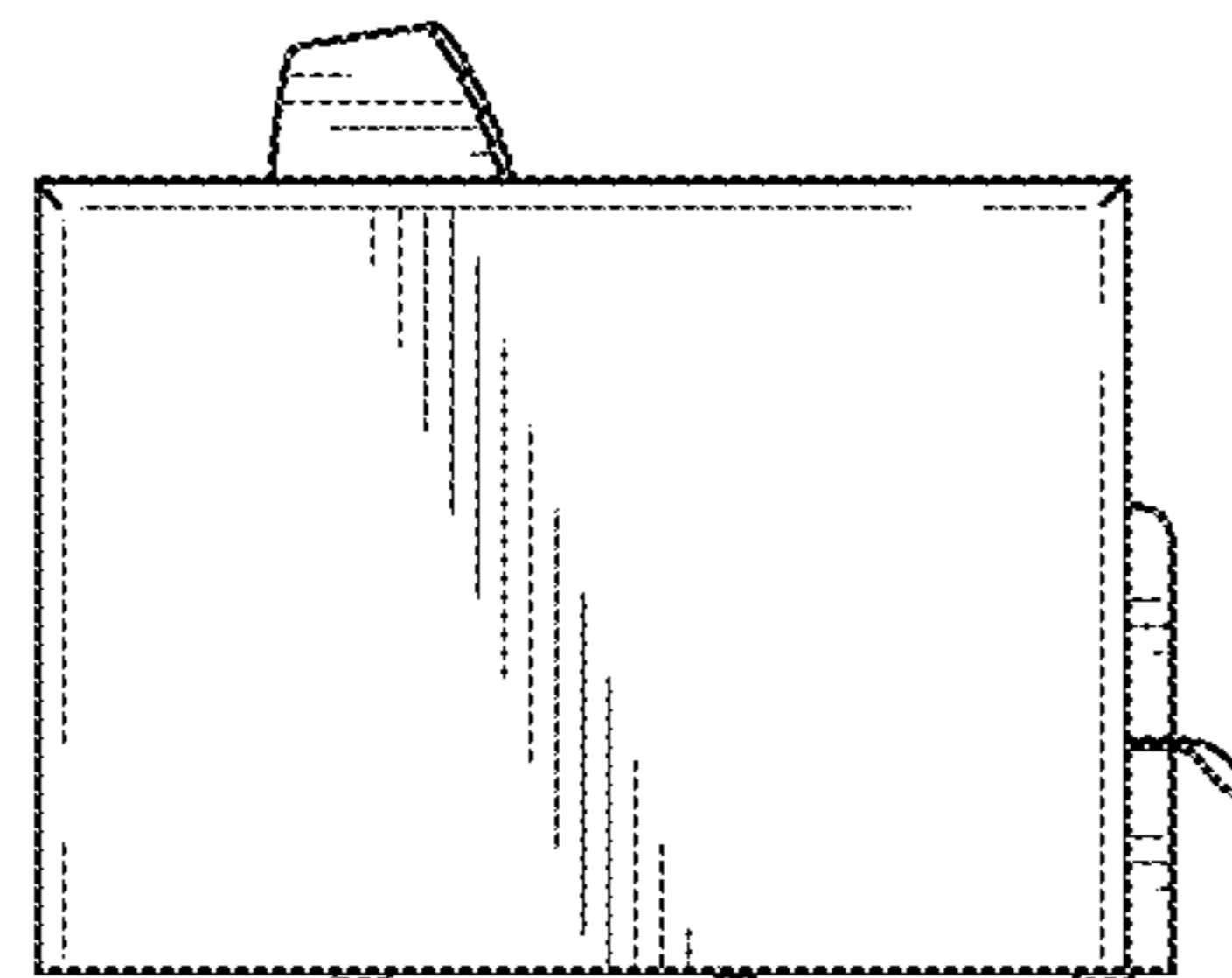


FIG. 2

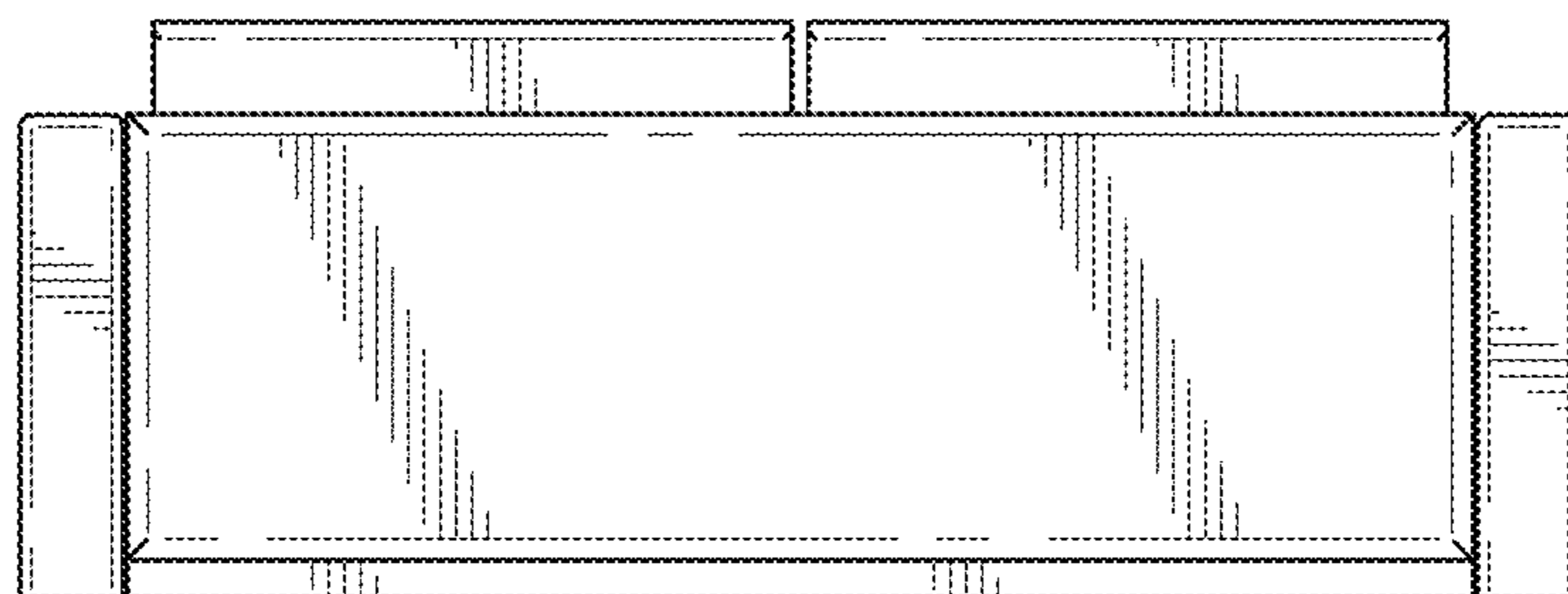


FIG. 3

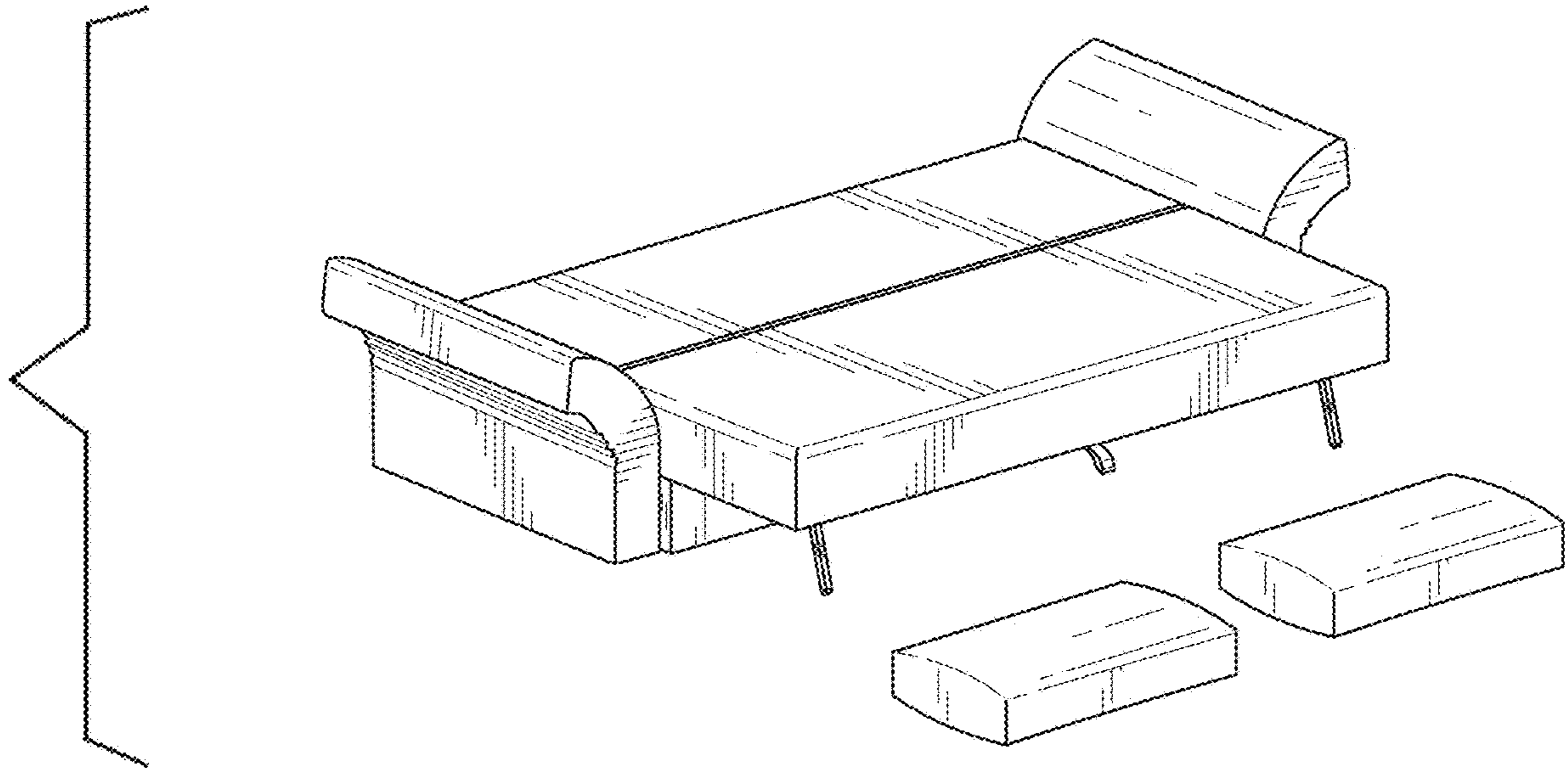


FIG. 4

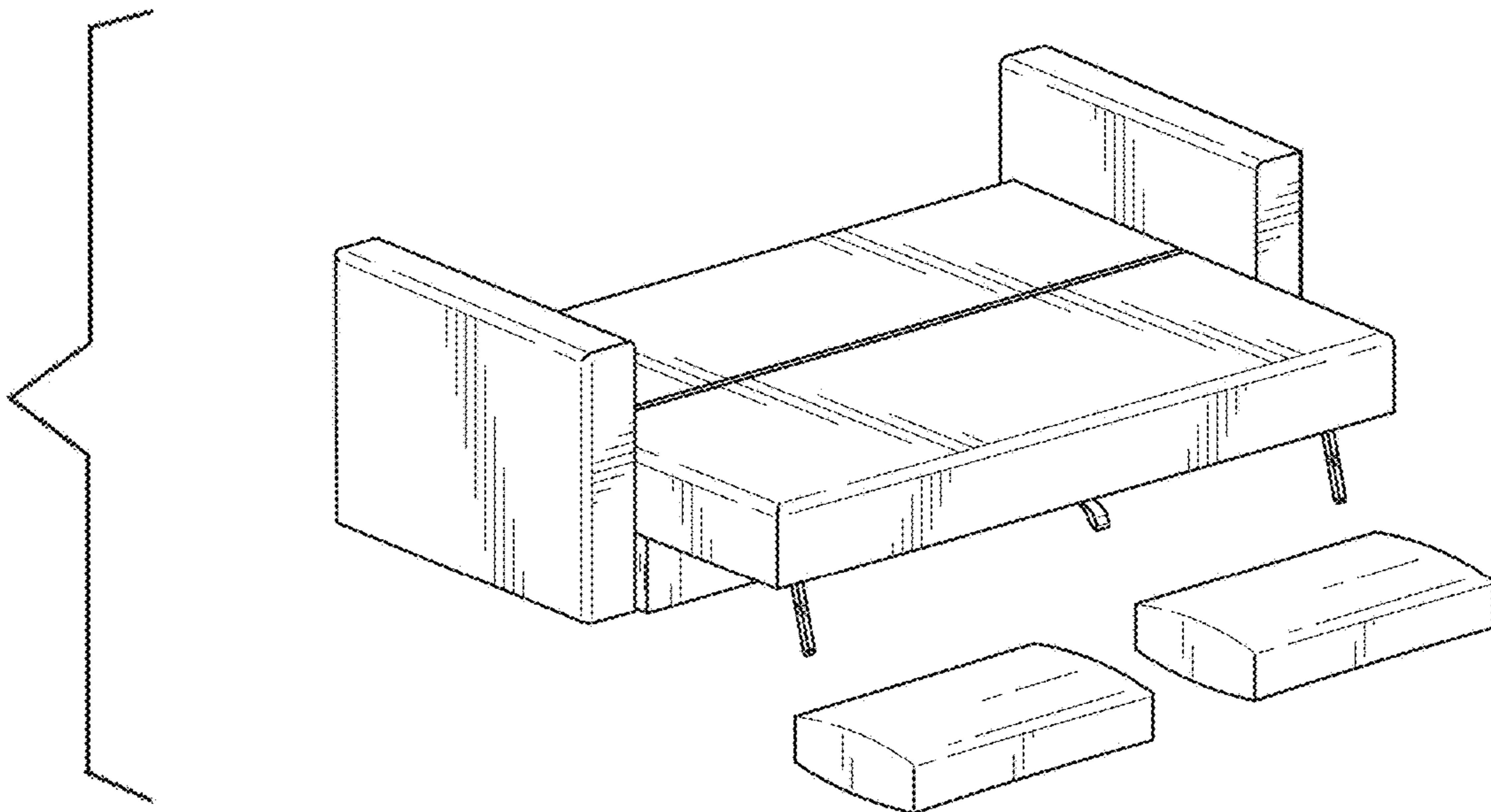


FIG. 5

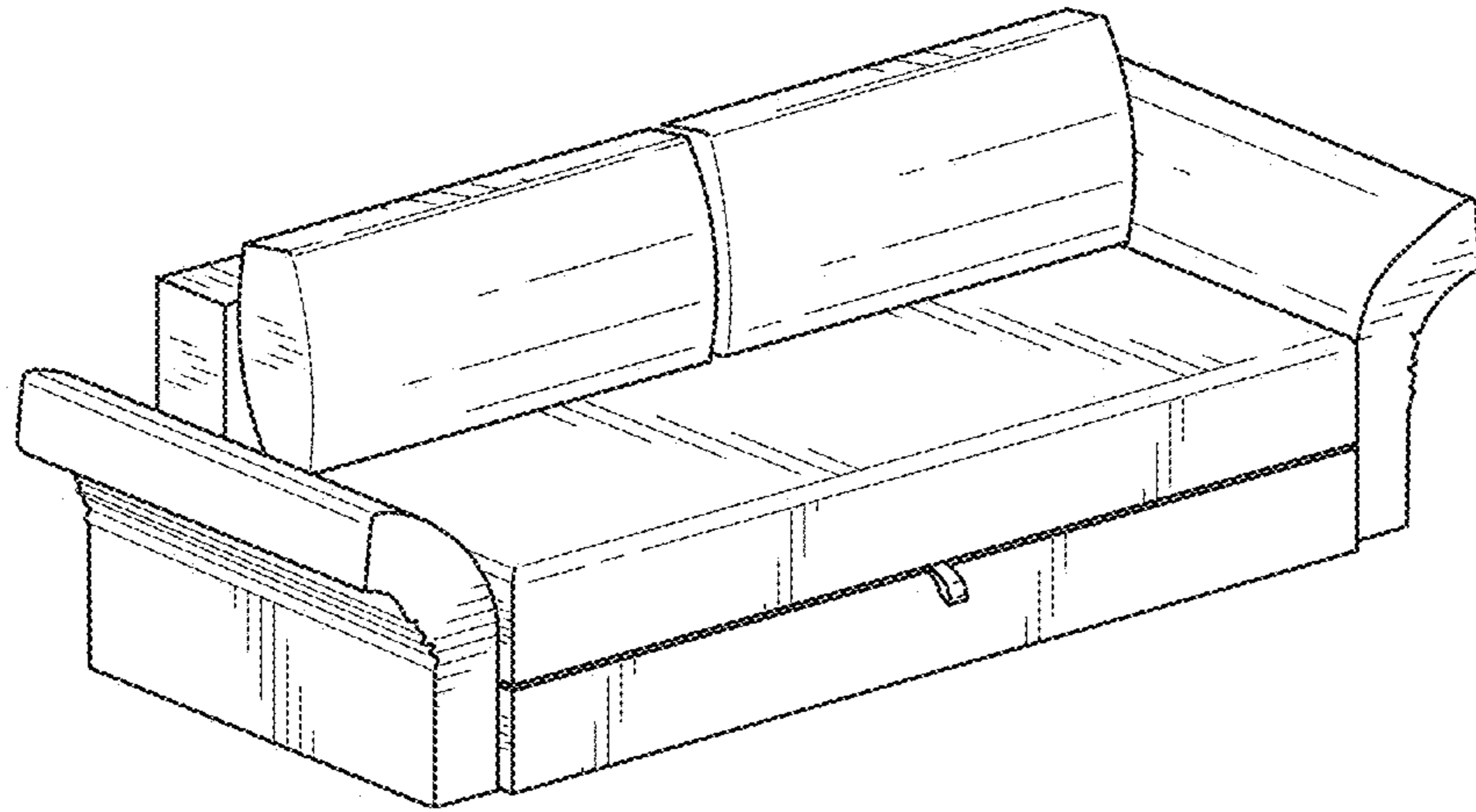


FIG. 6

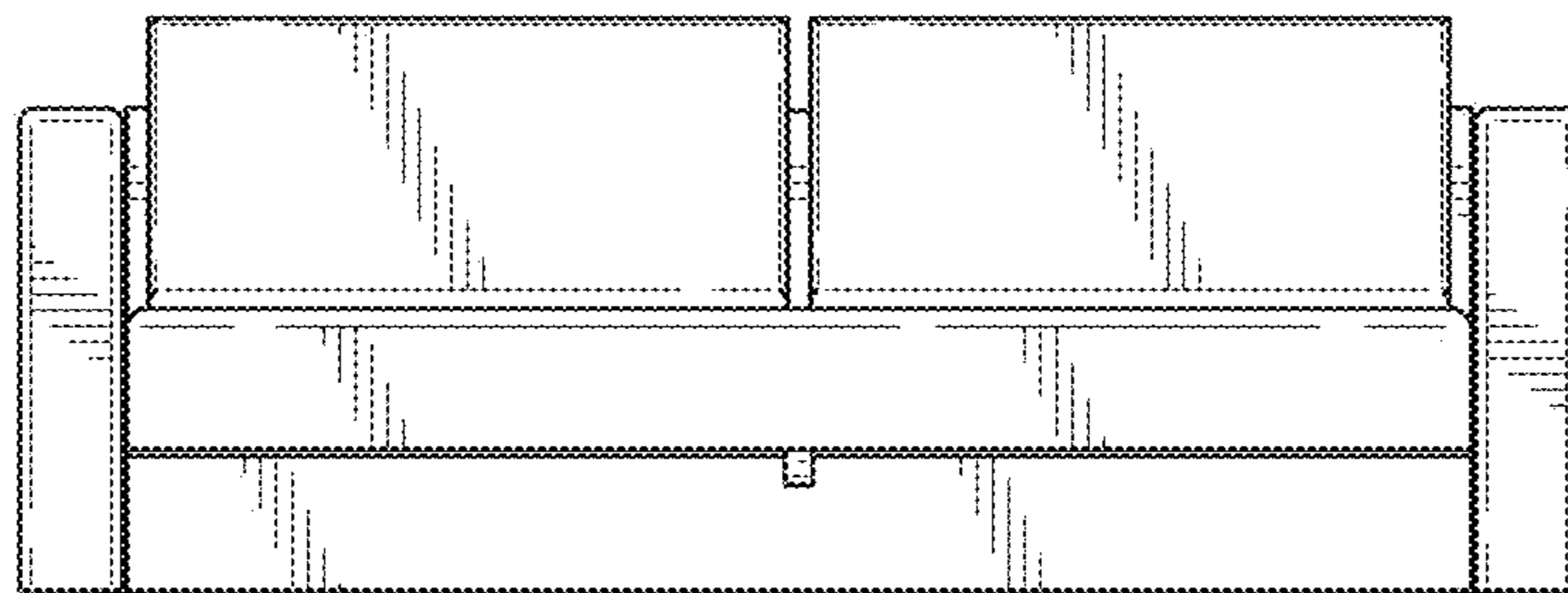


FIG. 7